

Klippon® POK – Polyester enclosures

The Klippon® POK range of polyester enclosures are designed to protect and integrate with general purpose electrical and electronic equipment as well as control components in harsh environments or potentially explosive atmospheres.

C Designed to meet the rigorous demands of industrial automation or process control and energy industries and with signal and component protection in mind, the Klippon POK enclosure range is designed to meet the customers' application needs.

Our customer specific assembly service can provide a fully customised enclosure solution, designed to meet the customer requirements.



Features:

- For use in potentially explosive atmospheres and industrial applications
- Extremely robust with a high impact resistance
- Approved to the latest international standards
- M4 or M6 mounting elements integrated into enclosure body for installation of mounting plates, mounting rails, printed circuit boards etc.



Note: The enclosure range Klippon® POK can be assembled with terminals or other approved equipment by our locally available Application-Specific Solutions service. Please ask us for more details.

Overview of enclosures

Ordering data

Description	Hight x width x depth in mm	Standard (grey finish)	Ex Enclosures (black finish)	Reference product
Klippon® POK 080806	75 x 80 x 55	1305810000	1306000000	Klippon® POK 1
Klippon® POK 081106	75 x 110 x 56	1305820000	1306010000	Klippon® POK 2
Klippon® POK 081606	75 x 160 x 56	1305830000	1306020000	Klippon® POK 3
Klippon® POK 081906	75 x 190 x 55	1305840000	1306030000	Klippon® POK 31
Klippon® POK 082306	75 x 230 x 56	1305850000	1306040000	Klippon® POK 32
Klippon® POK 121209	120 x 122 x 90	1305870000	1306050000	Klippon® POK 4
Klippon® POK 122209	120 x 220 x 90	1305880000	1306070000	Klippon® POK 5
Klippon® POK 161609	160 x 160 x 90	1305890000	1306080000	Klippon® POK 51
Klippon® POK 162609	160 x 260 x 90	1305900000	1306090000	Klippon® POK 6
Klippon® POK 163609	160 x 360 x 90	1305910000	1306100000	Klippon® POK 7
Klippon® POK 165609	160 x 560 x 90	1305920000	1306110000	Klippon® POK 71
Klippon® POK 252512	250 x 255 x 120	1305930000	1306120000	Klippon® POK 8
Klippon® POK 252516	250 x 255 x 160.5	1305980000	1306170000	Klippon® POK 9
Klippon® POK 254012	250 x 400 x 120	1305940000	1306130000	Klippon® POK 91
Klippon® POK 254016	250 x 400 x 160.5	1305990000	1306180000	Klippon® POK 10
Klippon® POK 256012	250 x 600 x 120	1305950000	1306140000	Klippon® POK 11
Klippon® POK 404012	405 x 400 x 120	1305970000	1306150000	Klippon® POK 12

Hinweis

Technical Overview

Technical data

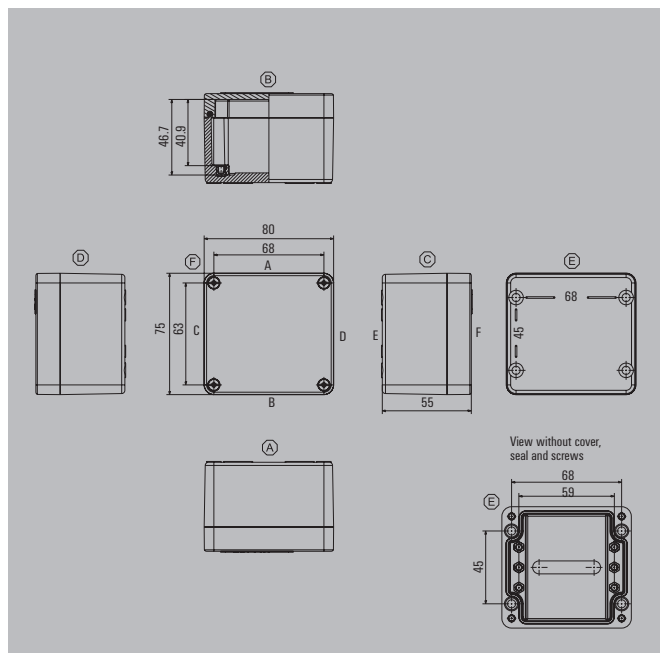
	Ex	Standard
Enclosure material	Glass fibre-reinforced polyester to DIN 16913 with added graphite	Glass fibre-reinforced polyester to DIN 16913
Surface	Black, similar to RAL 9011	Grey, similar to RAL7001
IP Rating	IP 66 to DIN EN 60529	IP 66 to DIN EN 60529
NEMA Rating	4, 4x	4, 4x
Equipment mounting	M4 to M6 threaded bushes	M4 to M6 threaded bushes
Enclosure mounting	4 holes for M4 to M6 screw	4 holes for M4 to M6 screw
Lid fixing	M4/M6 slothead / crosshead screws from stainless steel	M4/M6 slothead / crosshead screws from stainless steel
Impact Resistance	7J to IEC 60029-0	IK08 (5J) to DIN EN 50102
Gasket material	Silicone (VMQ)	Chloroprene
Temperature range	-55 °C...+100 °C	-40 °C...+100 °C
Torque screws of lid M4	2.0 - 2.5 Nm	2.0 - 2.5 Nm
Torque screws of lid M6	2.5 - 3.0 Nm	2.5 - 3.0 Nm
Surface resistance (in ohms)	< 10 ⁹ Ohm	10 ¹² Ohm
Flammability	UL 94 V0, self extinguishing	UL 94 V0, self extinguishing
Toxicity	Halogen and cadmium-free	Halogen and cadmium-free
Note		

Approvals for empty enclosures

	Ex	Standard
ATEX certificate	IBExU13ATEX1003 U	
ATEX marking	Ⓜ II 2G Ex e IIC Gb or Ⓜ II 2G Ex eb IIC Ⓜ II 2D Ex tb IIIC Db or Ⓜ II 2D Ex tb IIIC	
IECEx certificate	IECEx IBE 13.0003U	
IECEx marking	Ex e IIC Gb or Ex eb IIC Ex tb IIIC Db or Ex tb IIIC	
EAC	RUC-DE.08.B.00472	RUC-DE.08.B.00472
cULus	E 256877	E 256877
Lloyd's Register	14/20001	14/20001
Russian Maritime Register	14.40041.250	
Germanischer Lloyd	59992-13 HH	59992-13 HH
KOSHA	16-AV4B0-246X	
AEx	E223792	
Note		

Approvals terminal enclosures

ATEX certificate	IBExU13ATEX1004 X		
ATEX marking	Ⓜ II 2G Ex e IIC T6...T5 Gb or Ⓜ II 2G Ex eb IIC T6...T5 Ⓜ II 1G Ex ia IIC T6...T5 Ga or Ⓜ II 1G Ex ia IIC T6...T5 Ⓜ II 2(1)G Ex e ia IIC T6...T5 Gb or Ⓜ II 2(1)G Ex eb ia IIC T6...T5 Ⓜ II 2D Ex tb IIIC T 85 °C...100 °C Db or Ⓜ II 2D Ex tb IIIC T 85 °C...100 °C		
IECEx certificate	IECEx IBE 13.0004X		
IECEx marking	Ex e IIC T6...T5 Gb or Ex eb IIC T6...T5 Ex ia IIC T6...T5 Ga or Ex ia IIC T6...T5 Ex e ia IIC T6...T5 Gb or Ex eb ia IIC T6...T5 Ex tb IIIC T 85 °C...100 °C Db or Ex tb IIIC T 85 °C...100 °C		
EAC certificate	RUC-DE.08.B.01328	AEx certificate	E223792
EAC marking	II 2 G Ex eb IIC T6/T5 II 2 G Ex e IIC T6/T5 Gb II 1 G Ex ia IIC T6/T5 II 1 G Ex ia IIC T6/T5 Ga II 2(1) G Ex eb ia IIC T6/T5 II 2(1) G Ex e ia IIC T6/T5 Gb II 2 D Ex tb IIIC T 85 °C...100 °C II 2 D Ex tb IIIC T 85 °C...100 °C Db	AEx marking	Class I, Zone 1, AEx e IIC Gb T6..T4 Class I, Zone 2, AEx e IIC Gc T6..T4 Class I Div.2 Group A,B,C,D T6...T4 Class II Div.2 Group F,G Zone 21, AEx tb IIIC Db
Note	If you have specific requirements for installations within potentially explosive atmospheres, please contact Weidmüller for a copy of the approval certificates. For details of power dissipation, please contact your Weidmüller representative.		



Height / Width / Depth 75 / 80 / 55 mm

Ordering data

RAL 7001	Standard	Order No.
		1305810000
RAL 9011	Ex enclosure	Order No.
		1306000000

Note The overview page lists the ambient temperatures.

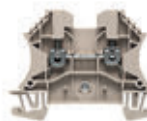
Accessories

Mounting plates and fastening screws	Order No.
Steel sheet, zinc plated	9510570000
Steel sheet, galvanized for applications with earthing plate	1534280000
Fastening screws for mounting plates	0642600000
Brass Earth Continuity Plate	Order No.
Brass	1390910000
External mounting feet, set of 4	Order No.
Stainless steel 1.4301	9510900000
Earthing stud	Order No.
Brass, M10	1277220000
Stainless steel 1.4404, M10	1283440000
Brass, M6	1277250000
Stainless steel 1.4404, M6	1283430000
Compensating element	Order No.
Polyamide 6, M12	1868570000
Stainless steel 1.4305, M12	1868550000
Stainless steel 1.4404, M20 for Ex applications	1344630000

Note

Max. number of terminals (industry)

Assembly with terminal	vertical	horizontal
2.5 mm ²	1x1*	1x5
4 mm ²	1x1*	1x4
6 mm ²		
10 mm ²		
16 mm ²		



Note * Please refer to the Terminal Block catalogue or the SAK Series for more information about assembling the enclosures with terminal blocks. We recommend a maximum of one BK 6, e.g. BK 6 CRN (0625220000), for vertical installation. There are no specified mounting options available for mounting the enclosure in a vertical position.

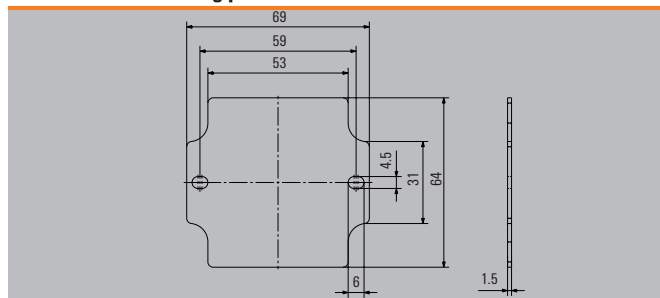
Number of cable entries

Number of cable entries	A / B	C / D
M12	4	1
M16	2	1
M20	1	1
M25	1	
M32		
M40		
M50		
M63		



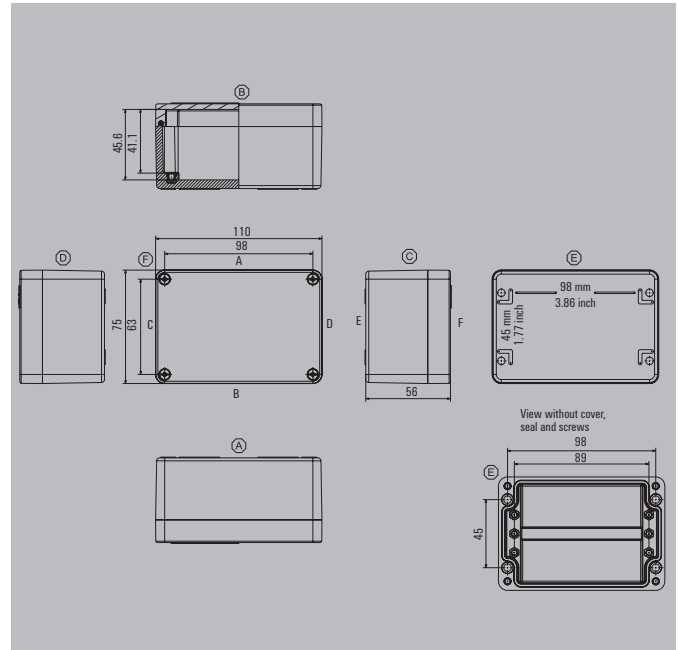
Note ** Our IP 68 plastic cable glands are used as the reference for these guideline values.

Dimensions of mounting plate



Klippon® POK 081 106

Depth 56 mm



Height / Width / Depth 75 / 110 / 56 mm

Ordering data

RAL 7001	Standard	Order No.
		1305820000
RAL 9011	Ex enclosure	Order No.
		1306010000

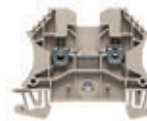
Note The overview page lists the ambient temperatures.

Accessories

Mounting plates and fastening screws	Order No.
Steel sheet, zinc plated	9510580000
Steel sheet, galvanized for applications with earthing plate	1534290000
Fastening screws for mounting plates	0642600000
Brass Earth Continuity Plate	Order No.
Brass	1390920000
External mounting feet, set of 4	Order No.
Stainless steel 1.4301	9510900000
Earthing stud	Order No.
Brass, M10	1277220000
Stainless steel 1.4404, M10	1283440000
Brass, M6	1277250000
Stainless steel 1.4404, M6	1283430000
Compensating element	Order No.
Polyamide 6, M12	1868570000
Stainless steel 1.4305, M12	1868550000
Stainless steel 1.4404, M20 for Ex applications	1344630000

Max. number of terminals (industry)

Assembly with terminal	vertical	horizontal
2.5 mm ²	1x1*	1x10
4 mm ²	1x1*	1x9
6 mm ²		
10 mm ²		
16 mm ²		



Note * Please refer to the Terminal Block catalogue or the SAK Series for more information about assembling the enclosures with terminal blocks. We recommend a maximum of one BK 6, e.g. BK 6 CRN (0625220000), for vertical installation. There are no specified mounting options available for mounting the enclosure in a vertical position.

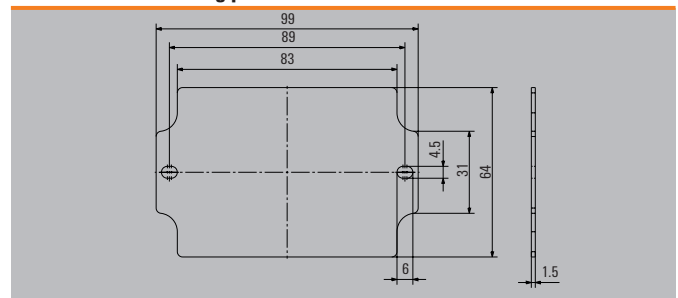
Number of cable entries

Number of cable entries	A / B	C / D
M12	7	1
M16	3	1
M20	2	1
M25	2	
M32		
M40		
M50		
M63		

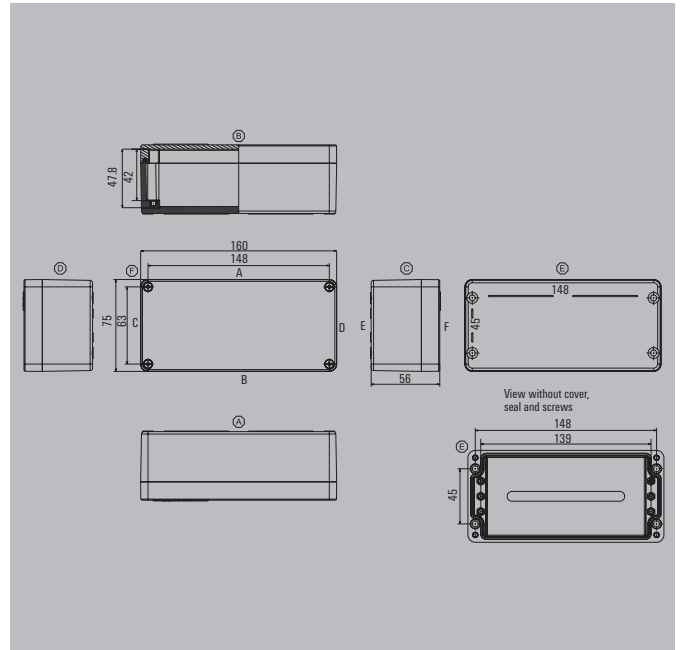


Note ** Our IP 68 plastic cable glands are used as the reference for these guideline values.

Dimensions of mounting plate



Note



Height / Width / Depth 75 / 160 / 56 mm

Ordering data

RAL 7001	Standard	Order No.
		1305830000
RAL 9011	Ex enclosure	Order No.
		1306020000

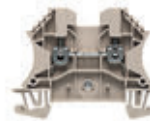
Note The overview page lists the ambient temperatures.

Accessories

Mounting plates and fastening screws	Order No.
Steel sheet, zinc plated	9510680000
Steel sheet, galvanized for applications with earthing plate	1534310000
Fastening screws for mounting plates	0642600000
Brass Earth Continuity Plate	Order No.
Brass	1390930000
External mounting feet, set of 4	Order No.
Stainless steel 1.4301	9510900000
Earthing stud	Order No.
Brass, M10	1277220000
Stainless steel 1.4404, M10	1283440000
Brass, M6	1277250000
Stainless steel 1.4404, M6	1283430000
Compensating element	Order No.
Polyamide 6, M12	1868570000
Stainless steel 1.4305, M12	1868550000
Stainless steel 1.4404, M20 for Ex applications	1344630000

Max. number of terminals (industry)

Assembly with terminal	vertical	horizontal
2.5 mm ²	*	1x20
4 mm ²	*	1x17
6 mm ²		
10 mm ²		
16 mm ²		



Note * Please refer to the Terminal Block catalogue or the SAK Series for more information about assembling the enclosures with terminal blocks. We recommend a maximum of one BK 6, e.g. BK 6 CRN (0625220000), for vertical installation. There are no specified mounting options available for mounting the enclosure in a vertical position.

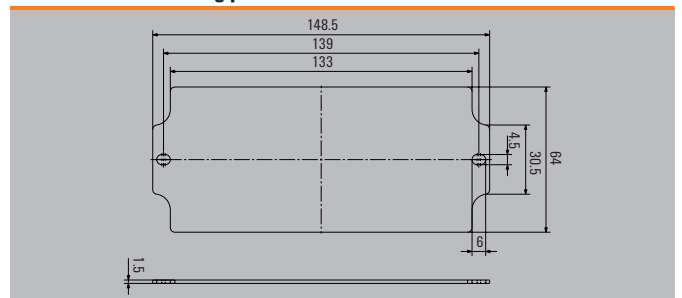
Number of cable entries

Number of cable entries	A / B	C / D
M12	11	1
M16	5	1
M20	4	1
M25	3	
M32		
M40		
M50		
M63		



Note ** Our IP 68 plastic cable glands are used as the reference for these guideline values.

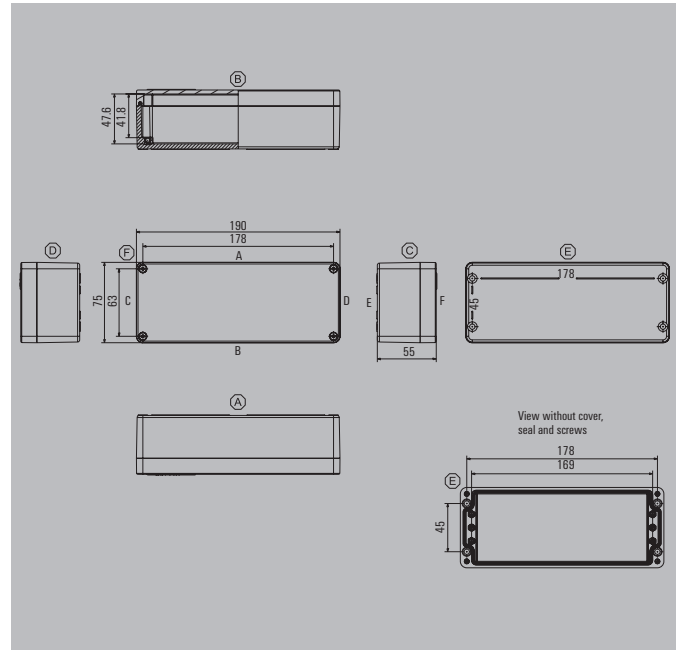
Dimensions of mounting plate



Note

Klippon® POK 081906

Depth 55 mm



Height / Width / Depth 75 / 190 / 55 mm

Ordering data

RAL 7001	Standard	Order No.
		1305840000
RAL 9011	Ex enclosure	Order No.
		1306030000

Note The overview page lists the ambient temperatures.

Accessories

Mounting plates and fastening screws	Order No.
Steel sheet, zinc plated	9510690000
Steel sheet, galvanized for applications with earthing plate	1534320000
Fastening screws for mounting plates	0642600000
Brass Earth Continuity Plate	Order No.
Brass	1390940000
External mounting feet, set of 4	Order No.
Stainless steel 1.4301	9510900000
Earthing stud	Order No.
Brass, M10	1277220000
Stainless steel 1.4404, M10	1283440000
Brass, M6	1277250000
Stainless steel 1.4404, M6	1283430000
Compensating element	Order No.
Polyamide 6, M12	1868570000
Stainless steel 1.4305, M12	1868550000
Stainless steel 1.4404, M20 for Ex applications	1344630000

Max. number of terminals (industry)

Assembly with terminal	vertical	horizontal
2.5 mm ²	*	1x26
4 mm ²	*	1x22
6 mm ²		
10 mm ²		
16 mm ²		



Note * Please refer to the Terminal Block catalogue or the SAK Series for more information about assembling the enclosures with terminal blocks. We recommend a maximum of one BK 6, e.g. BK 6 CRN (0625220000), for vertical installation. There are no specified mounting options available for mounting the enclosure in a vertical position.

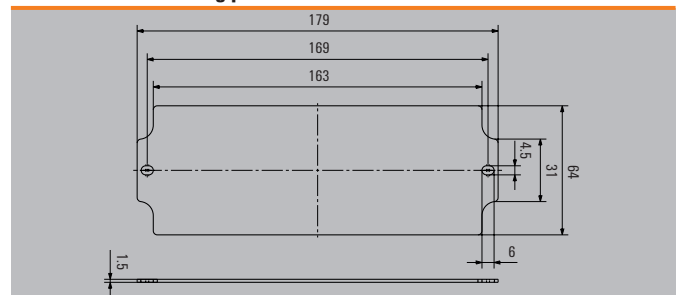
Number of cable entries

Number of cable entries	A / B	C / D
M12	14	1
M16	6	1
M20	5	1
M25	4	
M32		
M40		
M50		
M63		

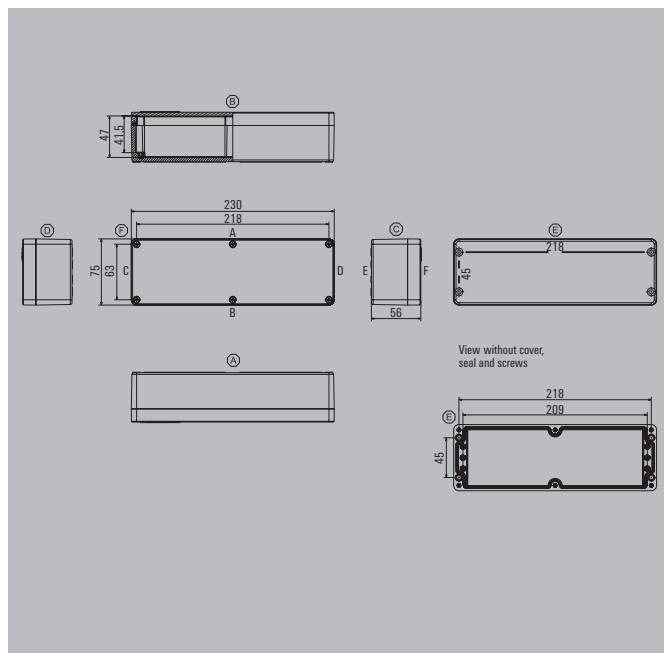


Note ** Our IP 68 plastic cable glands are used as the reference for these guideline values.

Dimensions of mounting plate



Note



Height / Width / Depth 75 / 230 / 56 mm

Ordering data

RAL 7001	Standard	Order No.
		1305850000
RAL 9011	Ex enclosure	Order No.
		1306040000

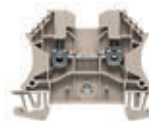
Note The overview page lists the ambient temperatures.

Accessories

Mounting plates and fastening screws	Order No.
Steel sheet, galvanized for applications with earthing plate	1534330000
Fastening screws for mounting plates	0642600000
Brass Earth Continuity Plate	Brass 1390950000
External mounting feet, set of 4	Stainless steel 1.4301 9510900000
Earthing stud	Brass, M10 1277220000
	Stainless steel 1.4404, M10 1283440000
	Brass, M6 1277250000
	Stainless steel 1.4404, M6 1283430000
Compensating element	Polyamide 6, M12 1868570000
	Stainless steel 1.4305, M12 1868550000
	Stainless steel 1.4404, M20 for Ex applications 1344630000

Max. number of terminals (industry)

Assembly with terminal	vertical	horizontal
2.5 mm ²	*	1x33
4 mm ²	*	1x28
6 mm ²		
10 mm ²		
16 mm ²		



Note * Please refer to the Terminal Block catalogue or the SAK Series for more information about assembling the enclosures with terminal blocks. We recommend a maximum of one BK 6, e.g. BK 6 CRN (0625220000), for vertical installation. There are no specified mounting options available for mounting the enclosure in a vertical position.

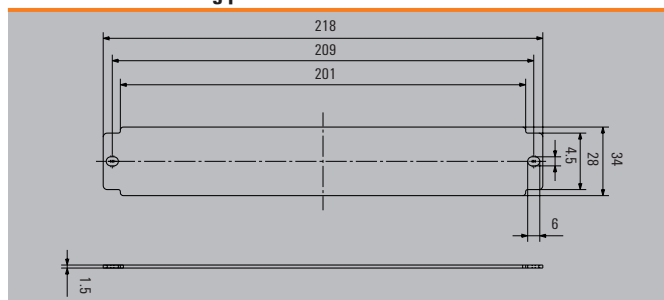
Number of cable entries

Number of cable entries	A / B	C / D
M12	16	1
M16	6	1
M20	6	1
M25	4	
M32		
M40		
M50		
M63		



Note ** Our IP 68 plastic cable glands are used as the reference for these guideline values.

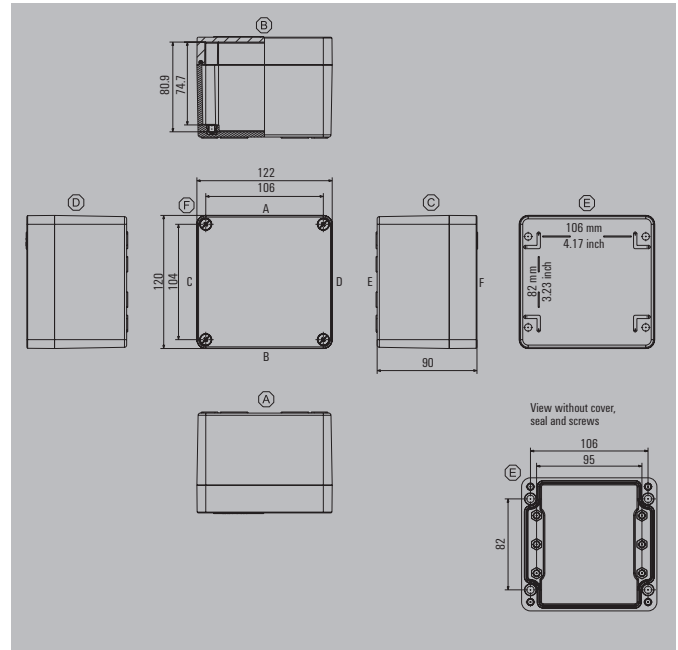
Dimensions of mounting plate



Note

Klippon® POK 121209

Depth 90 mm



Height / Width / Depth 120 / 122 / 90 mm

Ordering data

RAL 7001	Standard	Order No.
		1305870000
RAL 9011	Ex enclosure	Order No.
		1306050000

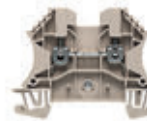
Note The overview page lists the ambient temperatures.

Accessories

Mounting plates and fastening screws	Order No.
Steel sheet, zinc plated	9510590000
Steel sheet, galvanized for applications with earthing plate	1534340000
Fastening screws for mounting plates	0642600000
Brass Earth Continuity Plate	Order No.
Brass	1390970000
External mounting feet, set of 4	Order No.
Stainless steel 1.4301	9510910000
Earthing stud	Order No.
Brass, M10	1277220000
Stainless steel 1.4404, M10	1283440000
Brass, M6	1277250000
Stainless steel 1.4404, M6	1283430000
Compensating element	Order No.
Polyamide 6, M12	1868570000
Stainless steel 1.4305, M12	1868550000
Stainless steel 1.4404, M20 for Ex applications	1344630000

Max. number of terminals (industry)

Assembly with terminal	vertical	horizontal
2.5 mm ²	*	1x12
4 mm ²	*	1x10
6 mm ²		1x7
10 mm ²		1x6
16 mm ²		1x5



Note The assembly with terminal rails is designed for direct mounting. The assembly with modular terminals gives consideration to a distance of 10 mm from the end of each mounting rail.
 Order recommendations:
 TS 35 mounting rail (screw terminal) WDU 2.5 1020000000 / (tension clamp terminal) ZDU 2.5 1608510000
 *There are no specified mounting options available for vertical mounting in the enclosure.

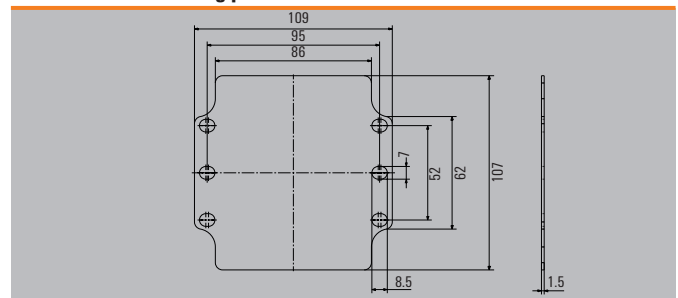
Number of cable entries

Number of cable entries	A / B	C / D
M12	12	8
M16	6	4
M20	4	3
M25	2	1
M32	1	1
M40		
M50		
M63		

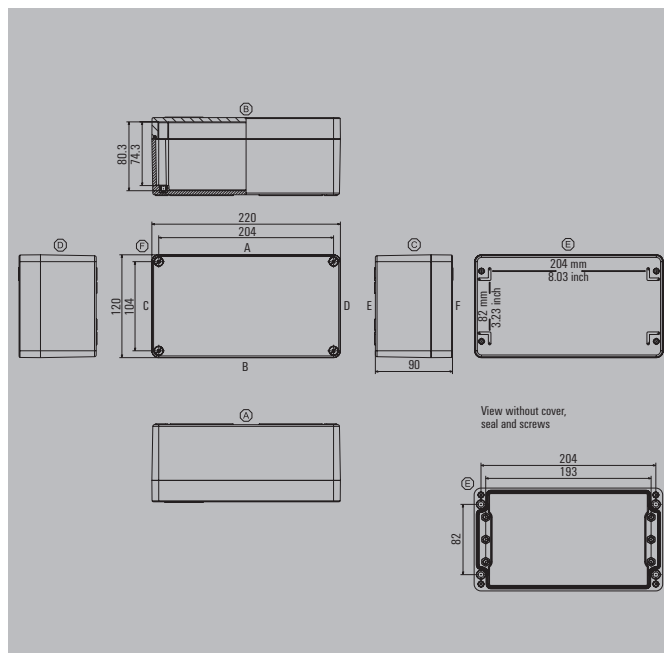


Note ** Our IP 68 plastic cable glands are used as the reference for these guideline values.

Dimensions of mounting plate



Note



Height / Width / Depth 120 / 220 / 90 mm

Ordering data

RAL 7001	Standard	Order No.
		1305880000
RAL 9011	Ex enclosure	Order No.
		1306070000

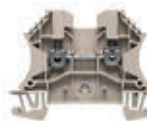
Note The overview page lists the ambient temperatures.

Accessories

Mounting plates and fastening screws	Order No.
Steel sheet, zinc plated	9510600000
Steel sheet, galvanized for applications with earthing plate	1534350000
Fastening screws for mounting plates	0642600000
Brass Earth Continuity Plate	Order No.
Brass	1390980000
External mounting feet, set of 4	Order No.
Stainless steel 1.4301	9510910000
Earthing stud	Order No.
Brass, M10	1277220000
Stainless steel 1.4404, M10	1283440000
Brass, M6	1277250000
Stainless steel 1.4404, M6	1283430000
Compensating element	Order No.
Polyamide 6, M12	1868570000
Stainless steel 1.4305, M12	1868550000
Stainless steel 1.4404, M20 for Ex applications	1344630000

Max. number of terminals (industry)

Assembly with terminal	vertical	horizontal
2.5 mm ²	*	1x31
4 mm ²	*	1x26
6 mm ²		1x19
10 mm ²		1x15
16 mm ²		1x13



Note The assembly with terminal rails is designed for direct mounting. The assembly with modular terminals gives consideration to a distance of 10 mm from the end of each mounting rail. Order recommendations: TS 35 mounting rail (screw terminal) WDU 2.5 1020000000 / (tension clamp terminal) ZDU 2.5 1608510000 *There are no specified mounting options available for vertical mounting in the enclosure.

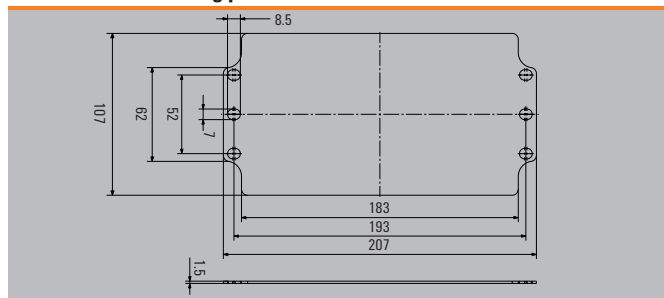
Number of cable entries

Number of cable entries	A / B	C / D
M12	24	8
M16	14	4
M20	12	3
M25	5	1
M32	4	1
M40	3	
M50		
M63		

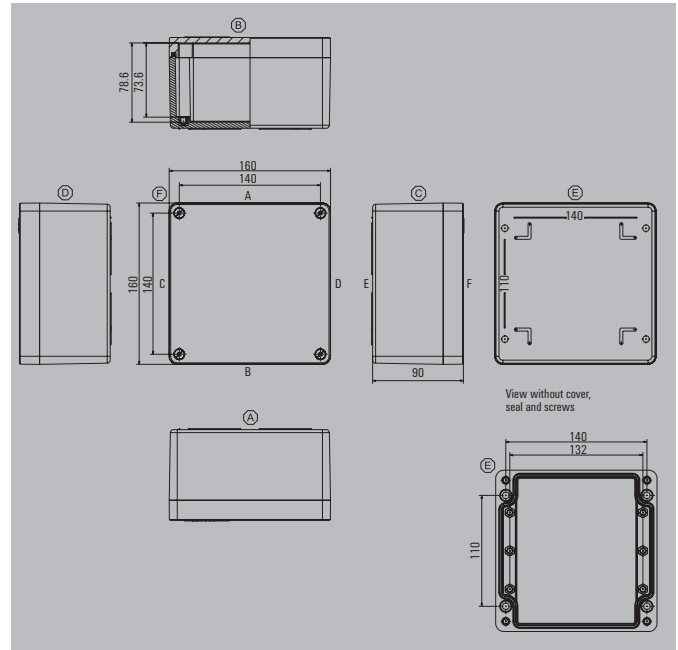


Note ** Our IP 68 plastic cable glands are used as the reference for these guideline values.

Dimensions of mounting plate



Note



Height / Width / Depth 160 / 160 / 90 mm

Ordering data

RAL 7001	Standard	Order No.
		1305890000
RAL 9011	Ex enclosure	Order No.
		1306080000

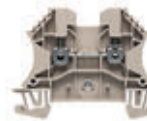
Note The overview page lists the ambient temperatures.

Accessories

Mounting plates and fastening screws	Order No.
Steel sheet, zinc plated	9510610000
Steel sheet, galvanized for applications with earthing plate	1534360000
Fastening screws for mounting plates	0642600000
Brass Earth Continuity Plate	Order No.
Brass	1390990000
External mounting feet, set of 4	Order No.
Stainless steel 1.4301	9510910000
Earthing stud	Order No.
Brass, M10	1277220000
Stainless steel 1.4404, M10	1283440000
Brass, M6	1277250000
Stainless steel 1.4404, M6	1283430000
Compensating element	Order No.
Polyamide 6, M12	1868570000
Stainless steel 1.4305, M12	1868550000
Stainless steel 1.4404, M20 for Ex applications	1344630000

Max. number of terminals (industry)

Assembly with terminal	vertical	horizontal
2.5 mm ²	*	1x17
4 mm ²	*	1x14
6 mm ²		1x11
10 mm ²		1x9
16 mm ²		1x7



Note The assembly with terminal rails is designed for direct mounting. The assembly with modular terminals gives consideration to a distance of 10 mm from the end of each mounting rail.
Order recommendations: TS 35 mounting rail (screw terminal) WDU 2.5 1020000000 / (tension clamp terminal) ZDU 2.5 1608510000
*There are no specified mounting options available for vertical mounting in the enclosure.

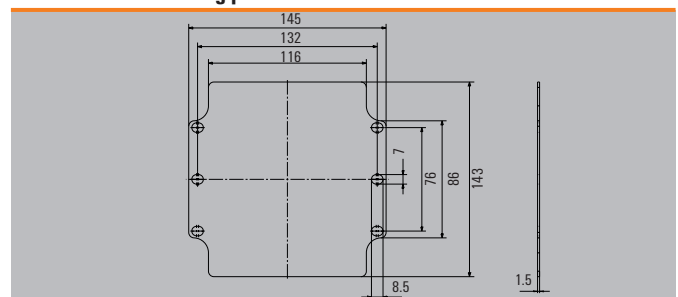
Number of cable entries

Number of cable entries	A / B	C / D
M12	15	11
M16	12	6
M20	6	4
M25	3	2
M32	2	2
M40	2	1
M50		
M63		

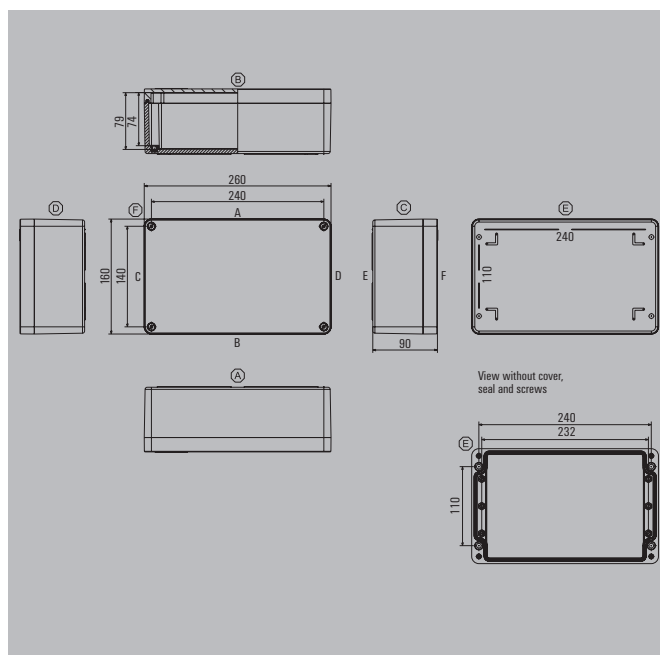


Note ** Our IP 68 plastic cable glands are used as the reference for these guideline values.

Dimensions of mounting plate



Note



Height / Width / Depth 160 / 260 / 90 mm

Ordering data

RAL 7001	Standard	Order No.
		1305900000
RAL 9011	Ex enclosure	Order No.
		1306090000

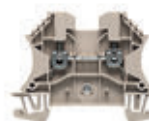
Note The overview page lists the ambient temperatures.

Accessories

Mounting plates and fastening screws	Order No.
Steel sheet, zinc plated	9510620000
Steel sheet, galvanized for applications with earthing plate	1534370000
Fastening screws for mounting plates	0642600000
Brass Earth Continuity Plate	Order No.
Brass	1391000000
External mounting feet, set of 4	Order No.
Stainless steel 1.4301	9510910000
Earthing stud	Order No.
Brass, M10	1277220000
Stainless steel 1.4404, M10	1283440000
Brass, M6	1277250000
Stainless steel 1.4404, M6	1283430000
Compensating element	Order No.
Polyamide 6, M12	1868570000
Stainless steel 1.4305, M12	1868550000
Stainless steel 1.4404, M20 for Ex applications	1344630000

Max. number of terminals (industry)

Assembly with terminal	vertical	horizontal
2.5 mm ²	*	1x36
4 mm ²	*	1x30
6 mm ²		1x23
10 mm ²		1x16
16 mm ²		1x16



Note The assembly with terminal rails is designed for direct mounting. The assembly with modular terminals gives consideration to a distance of 10 mm from the end of each mounting rail.
 Order recommendations:
 TS 35 mounting rail (screw terminal) WDU 2.5 1020000000 / (tension clamp terminal) ZDU 2.5 1608510000
 *There are no specified mounting options available for vertical mounting in the enclosure.

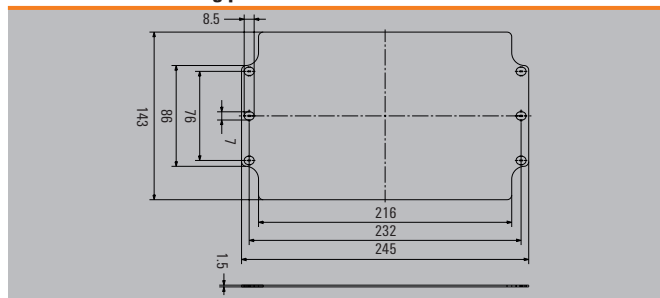
Number of cable entries

Number of cable entries	A / B	C / D
M12	30	11
M16	24	6
M20	14	4
M25	5	2
M32	4	2
M40	3	1
M50		
M63		



Note ** Our IP 68 plastic cable glands are used as the reference for these guideline values.

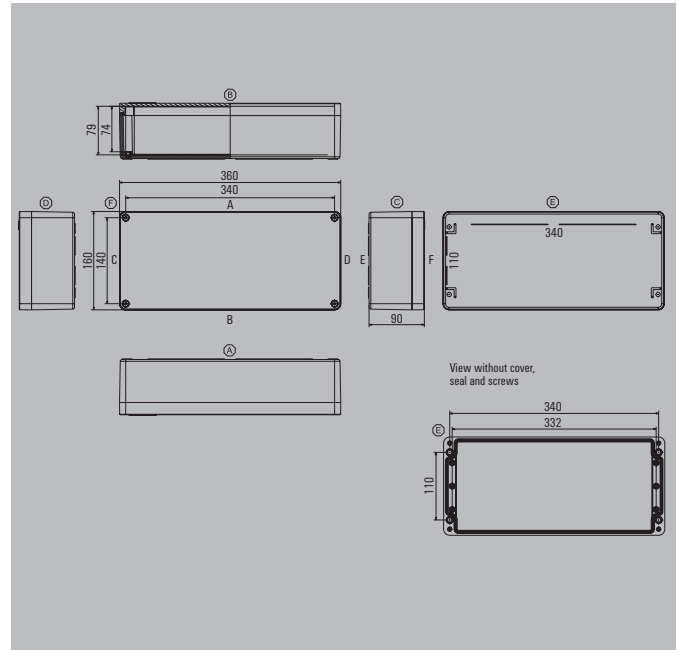
Dimensions of mounting plate



Note

Klippon® POK 163609

Depth **90 mm**



Height / Width / Depth 160 / 360 / 90 mm

Ordering data

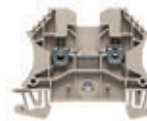
RAL 7001	Standard	Order No.
		1305910000
RAL 9011	Ex enclosure	Order No.
		1306100000
Note	The overview page lists the ambient temperatures.	

Accessories

Mounting plates and fastening screws	Order No.
Steel sheet, zinc plated	9510630000
Steel sheet, galvanized for applications with earthing plate	1534380000
Fastening screws for mounting plates	0642600000
Brass Earth Continuity Plate	Order No.
Brass	1391010000
External mounting feet, set of 4	Order No.
Stainless steel 1.4301	9510910000
Earthing stud	Order No.
Brass, M10	1277220000
Stainless steel 1.4404, M10	1283440000
Brass, M6	1277250000
Stainless steel 1.4404, M6	1283430000
Compensating element	Order No.
Polyamide 6, M12	1868570000
Stainless steel 1.4305, M12	1868550000
Stainless steel 1.4404, M20 for Ex applications	1344630000

Max. number of terminals (industry)

Assembly with terminal	vertical	horizontal
2.5 mm ²	*	1x56
4 mm ²	*	1x47
6 mm ²		1x36
10 mm ²		1x29
16 mm ²		1x24



Note The assembly with terminal rails is designed for direct mounting. The assembly with modular terminals gives consideration to a distance of 10 mm from the end of each mounting rail. Order recommendations: TS 35 mounting rail (screw terminal) WDU 2.5 1020000000 / (tension clamp terminal) ZDU 2.5 1608510000 *There are no specified mounting options available for vertical mounting in the enclosure.

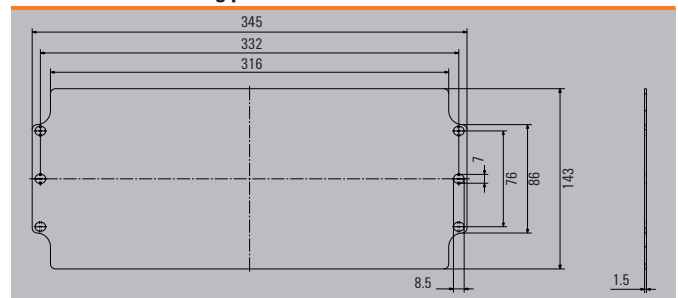
Number of cable entries

Number of cable entries	A / B	C / D
M12	45	11
M16	36	6
M20	20	4
M25	8	2
M32	6	2
M40	5	1
M50		
M63		

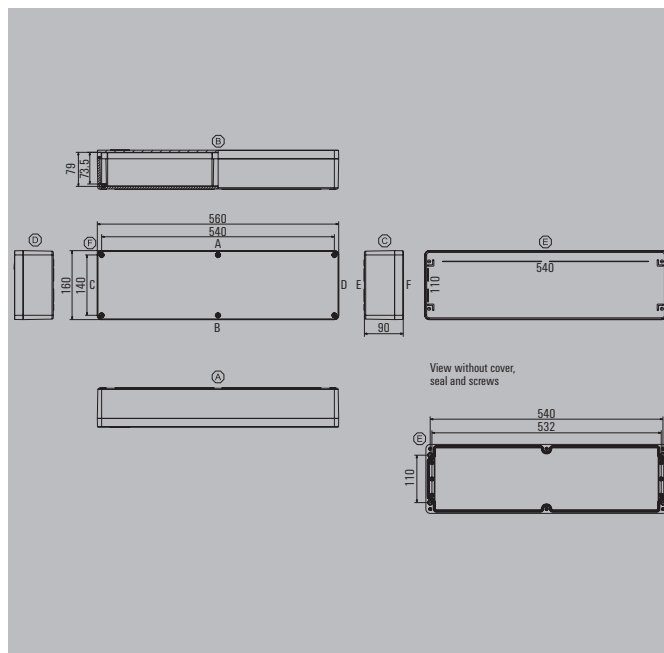


Note ** Our IP 68 plastic cable glands are used as the reference for these guideline values.

Dimensions of mounting plate



Note



Height / Width / Depth 160 / 560 / 90 mm

Ordering data

RAL 7001	Standard	Order No.
		1305920000
RAL 9011	Ex enclosure	Order No.
		1306110000

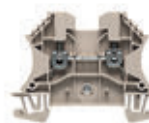
Note The overview page lists the ambient temperatures.

Accessories

Mounting plates and fastening screws	Order No.
Steel sheet, zinc plated	9510710000
Steel sheet, galvanized for applications with earthing plate	1534390000
Fastening screws for mounting plates	0642600000
Brass Earth Continuity Plate	Order No.
Brass	1391020000
External mounting feet, set of 4	Order No.
Stainless steel 1.4301	9510910000
Earthing stud	Order No.
Brass, M10	1277220000
Stainless steel 1.4404, M10	1283440000
Brass, M6	1277250000
Stainless steel 1.4404, M6	1283430000
Compensating element	Order No.
Polyamide 6, M12	1868570000
Stainless steel 1.4305, M12	1868550000
Stainless steel 1.4404, M20 for Ex applications	1344630000

Max. number of terminals (industry)

Assembly with terminal	vertical	horizontal
2.5 mm ²	*	1x94
4 mm ²	*	1x79
6 mm ²		1x60
10 mm ²		1x49
16 mm ²		1x41



Note The assembly with terminal rails is designed for direct mounting. The assembly with modular terminals gives consideration to a distance of 10 mm from the end of each mounting rail.
 Order recommendations:
 TS 35 mounting rail (screw terminal) WDU 2.5 1020000000 / (tension clamp terminal) ZDU 2.5 1608510000
 *There are no specified mounting options available for vertical mounting in the enclosure.

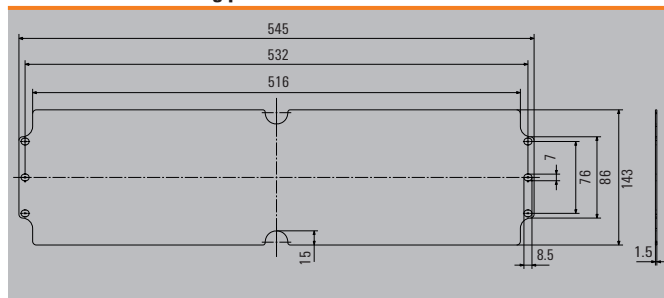
Number of cable entries

Number of cable entries	A / B	C / D
M12	66	11
M16	58	6
M20	32	4
M25	12	2
M32	10	2
M40	8	1
M50		
M63		



Note ** Our IP 68 plastic cable glands are used as the reference for these guideline values.

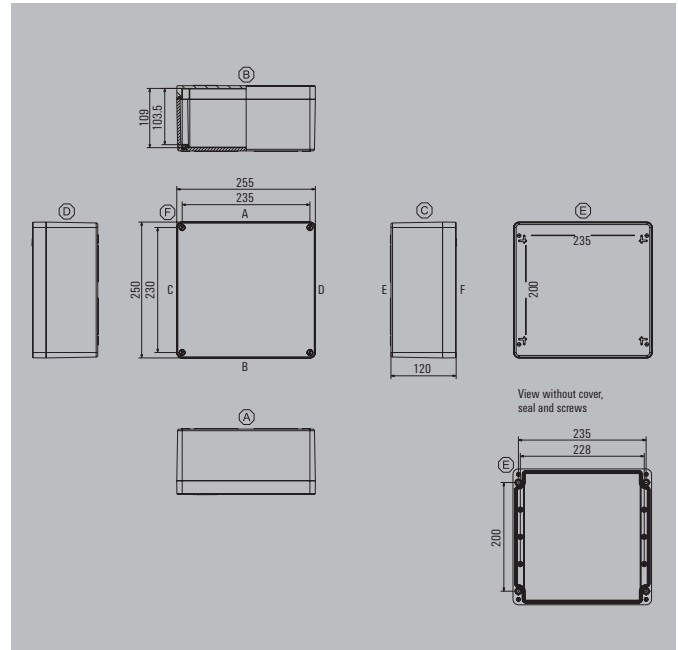
Dimensions of mounting plate



Note

Klippon® POK 252512

Depth 120 mm



Height / Width / Depth 250 / 255 / 120 mm

Ordering data

RAL 7001	Standard	Order No.
		1305930000
RAL 9011	Ex enclosure	Order No.
		1306120000

Note The overview page lists the ambient temperatures.

Accessories

Mounting plates and fastening screws	Order No.
Steel sheet, zinc plated	9510640000
Steel sheet, galvanized for applications with earthing plate	1534410000
Fastening screws for mounting plates	0642600000
Brass Earth Continuity Plate	Order No.
Brass	1391030000
External mounting feet, set of 4	Order No.
Stainless steel 1.4301	9510910000
Earthing stud	Order No.
Brass, M10	1277220000
Stainless steel 1.4404, M10	1283440000
Brass, M6	1277250000
Stainless steel 1.4404, M6	1283430000
Compensating element	Order No.
Polyamide 6, M12	1868570000
Stainless steel 1.4305, M12	1868550000
Stainless steel 1.4404, M20 for Ex applications	1344630000

Max. number of terminals (industry)

Assembly with terminal	vertical	horizontal
2.5 mm ²	*	2x38
4 mm ²	*	2x31
6 mm ²		2x23
10 mm ²		2x19
16 mm ²		2x15



Note The assembly with terminal rails is designed for direct mounting. The assembly with modular terminals gives consideration to a distance of 10 mm from the end of each mounting rail.
 Order recommendations:
 TS 35 mounting rail (screw terminal) WDU 2.5 1020000000 / (tension clamp terminal) ZDU 2.5 1608510000
 *There are no specified mounting options available for vertical mounting in the enclosure.

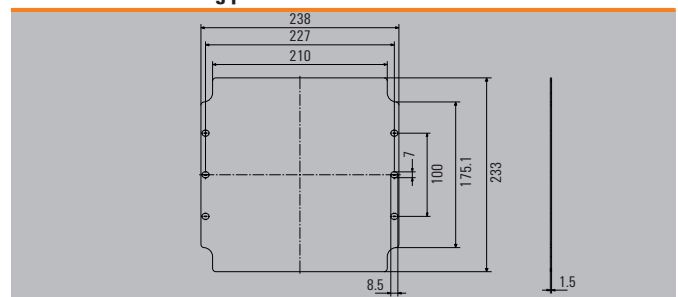
Number of cable entries

Number of cable entries	A / B	C / D
M12	36	32
M16	32	21
M20	10	15
M25	10	8
M32	8	3
M40	3	3
M50	2	2
M63		

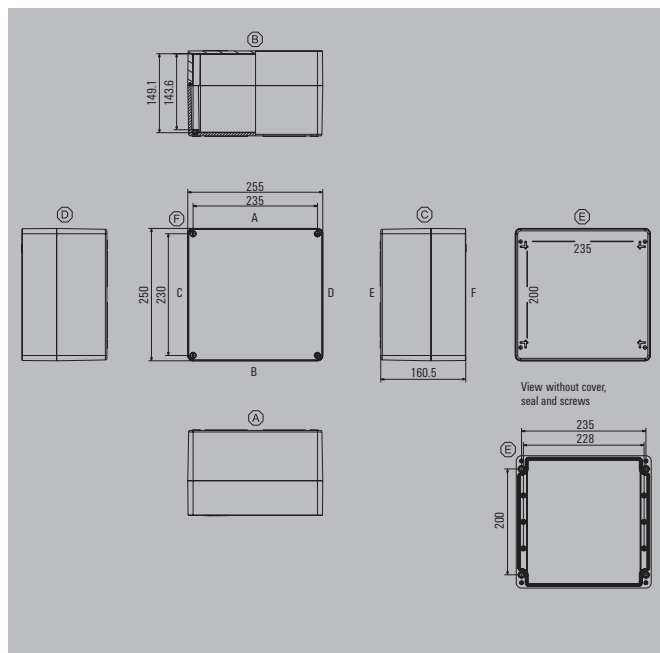


Note ** Our IP 68 plastic cable glands are used as the reference for these guideline values.

Dimensions of mounting plate



Note



Height / Width / Depth 250 / 255 / 160.5 mm

Ordering data

RAL 7001	Standard	Order No.
		1305980000
RAL 9011	Ex enclosure	Order No.
		1306170000

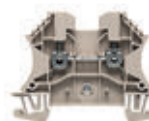
Note The overview page lists the ambient temperatures.

Accessories

Mounting plates and fastening screws	Order No.
Steel sheet, zinc plated	9510640000
Steel sheet, galvanized for applications with earthing plate	1534410000
Fastening screws for mounting plates	0642600000
Brass Earth Continuity Plate	Order No.
Brass	1391030000
External mounting feet, set of 4	Order No.
Stainless steel 1.4301	9510910000
Earthing stud	Order No.
Brass, M10	1277220000
Stainless steel 1.4404, M10	1283440000
Brass, M6	1277250000
Stainless steel 1.4404, M6	1283430000
Compensating element	Order No.
Polyamide 6, M12	1868570000
Stainless steel 1.4305, M12	1868550000
Stainless steel 1.4404, M20 for Ex applications	1344630000

Max. number of terminals (industry)

Assembly with terminal	vertical	horizontal
2.5 mm ²	*	2x38
4 mm ²	*	2x31
6 mm ²		2x23
10 mm ²		2x19
16 mm ²		2x15



Note The assembly with terminal rails is designed for direct mounting. The assembly with modular terminals gives consideration to a distance of 10 mm from the end of each mounting rail.
Order recommendations: TS 35 mounting rail (screw terminal) WDU 2.5 1020000000 / (tension clamp terminal) ZDU 2.5 1608510000
*There are no specified mounting options available for vertical mounting in the enclosure.

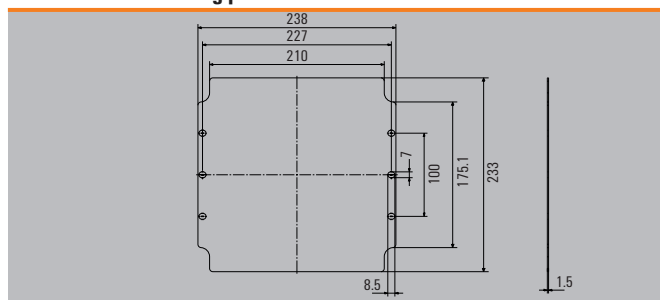
Number of cable entries

Number of cable entries	A / B	C / D
M12	36	32
M16	32	21
M20	18	15
M25	10	8
M32	8	3
M40	3	3
M50	2	2
M63		



Note ** Our IP 68 plastic cable glands are used as the reference for these guideline values.

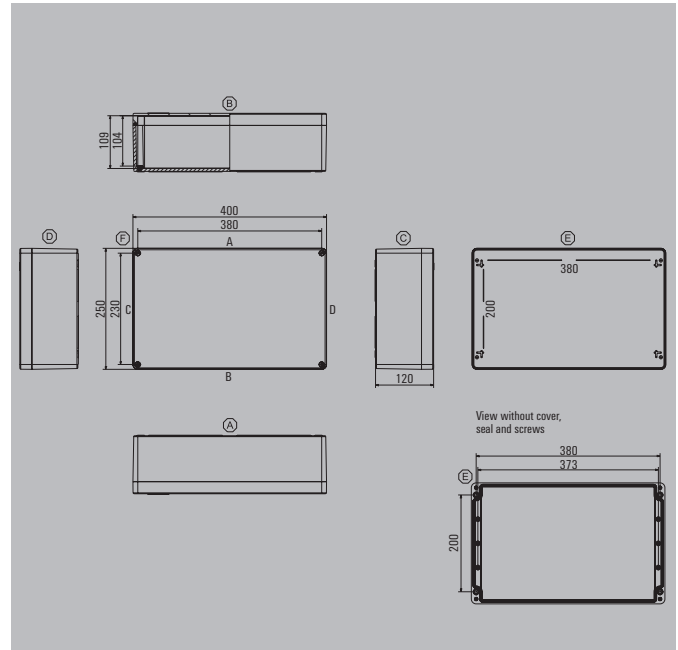
Dimensions of mounting plate



Note

Klippon® POK 254012

Depth 120 mm



Height / Width / Depth 250 / 400 / 120 mm

Ordering data

RAL 7001	Standard	Order No.
		1305940000
RAL 9011	Ex enclosure	Order No.
		1306130000

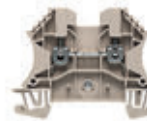
Note The overview page lists the ambient temperatures.

Accessories

Mounting plates and fastening screws	Order No.
Steel sheet, zinc plated	9510650000
Steel sheet, galvanized for applications with earthing plate	1534420000
Fastening screws for mounting plates	0642600000
Brass Earth Continuity Plate	Order No.
Brass	1391040000
External mounting feet, set of 4	Order No.
Stainless steel 1.4301	9510910000
Earthing stud	Order No.
Brass, M10	1277220000
Stainless steel 1.4404, M10	1283440000
Brass, M6	1277250000
Stainless steel 1.4404, M6	1283430000
Compensating element	Order No.
Polyamide 6, M12	1868570000
Stainless steel 1.4305, M12	1868550000
Stainless steel 1.4404, M20 for Ex applications	1344630000

Max. number of terminals (industry)

Assembly with terminal	vertical	horizontal
2.5 mm ²	*	2x67
4 mm ²	*	2x55
6 mm ²		2x41
10 mm ²		2x33
16 mm ²		2x27



Note The assembly with terminal rails is designed for direct mounting. The assembly with modular terminals gives consideration to a distance of 10 mm from the end of each mounting rail.
Order recommendations: TS 35 mounting rail (screw terminal) WDU 2.5 1020000000 / (tension clamp terminal) ZDU 2.5 1608510000
*There are no specified mounting options available for vertical mounting in the enclosure.

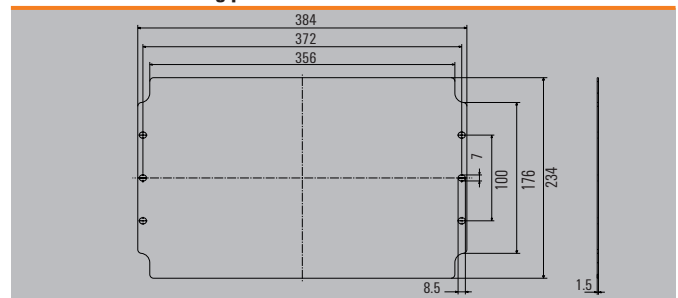
Number of cable entries

Number of cable entries	A / B	C / D
M12	62	32
M16	54	21
M20	33	15
M25	18	8
M32	14	3
M40	6	3
M50	4	2
M63		

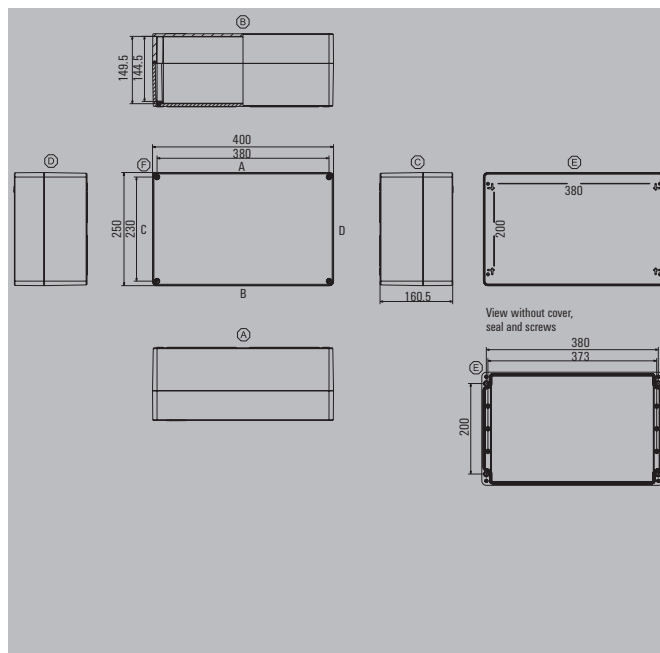


Note ** Our IP 68 plastic cable glands are used as the reference for these guideline values.

Dimensions of mounting plate



Note



Height / Width / Depth 250 / 400 / 160.5 mm

Ordering data

RAL 7001	Standard	Order No.
		1305990000
RAL 9011	Ex enclosure	Order No.
		1306180000

Note The overview page lists the ambient temperatures.

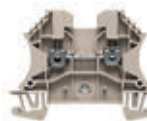
Accessories

Mounting plates and fastening screws	Order No.
Steel sheet, zinc plated	9510650000
Steel sheet, galvanized for applications with earthing plate	1534420000
Fastening screws for mounting plates	0642600000
Brass Earth Continuity Plate	Order No.
Brass	1391040000
External mounting feet, set of 4	Order No.
Stainless steel 1.4301	9510910000
Earthing stud	Order No.
Brass, M10	1277220000
Stainless steel 1.4404, M10	1283440000
Brass, M6	1277250000
Stainless steel 1.4404, M6	1283430000
Compensating element	Order No.
Polyamide 6, M12	1868570000
Stainless steel 1.4305, M12	1868550000
Stainless steel 1.4404, M20 for Ex applications	1344630000

Note

Max. number of terminals (industry)

Assembly with terminal	vertical	horizontal
2.5 mm ²	*	2x67
4 mm ²	*	2x55
6 mm ²		2x41
10 mm ²		2x33
16 mm ²		2x27



Note The assembly with terminal rails is designed for direct mounting. The assembly with modular terminals gives consideration to a distance of 10 mm from the end of each mounting rail.
Order recommendations:
TS 35 mounting rail (screw terminal) WDU 2.5 1020000000 / (tension clamp terminal) ZDU 2.5 1608510000
*There are no specified mounting options available for vertical mounting in the enclosure.

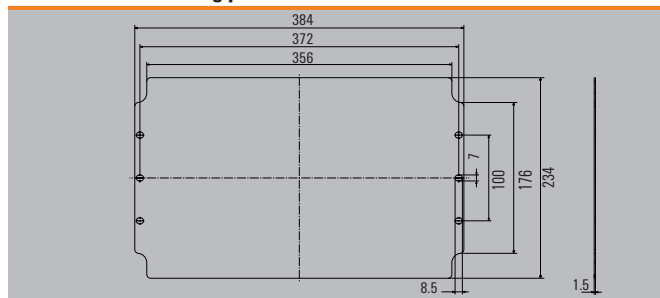
Number of cable entries

Number of cable entries	A / B	C / D
M12	62	32
M16	54	21
M20	33	15
M25	18	8
M32	14	3
M40	6	3
M50	4	2
M63		



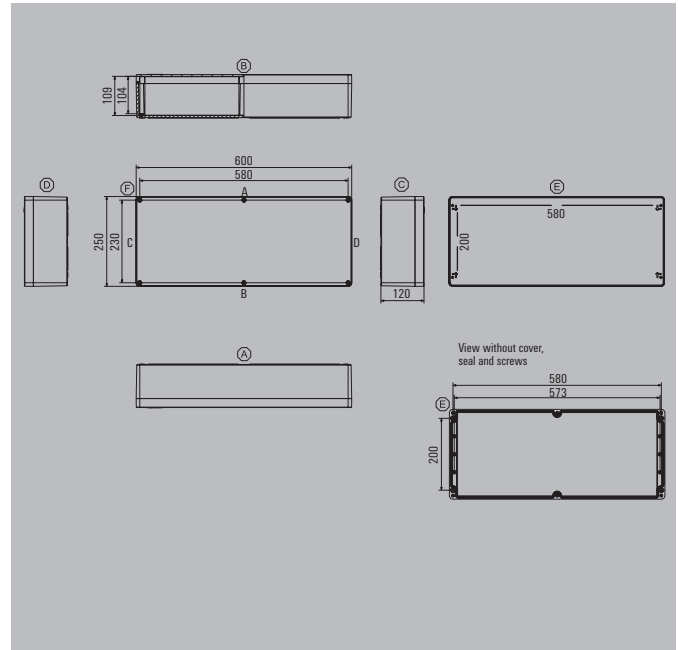
Note ** Our IP 68 plastic cable glands are used as the reference for these guideline values.

Dimensions of mounting plate



Klippon® POK 256012

Depth 120 mm



Height / Width / Depth 250 / 600 / 120 mm

Ordering data

RAL 7001	Standard	Order No.
		1305950000
RAL 9011	Ex enclosure	Order No.
		1306140000

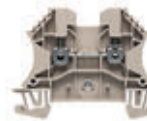
Note The overview page lists the ambient temperatures.

Accessories

Mounting plates and fastening screws	Order No.
Steel sheet, zinc plated	9510660000
Steel sheet, galvanized for applications with earthing plate	1534430000
Fastening screws for mounting plates	0642600000
Brass Earth Continuity Plate	Order No.
Brass	1391050000
External mounting feet, set of 4	Order No.
Stainless steel 1.4301	9510910000
Earthing stud	Order No.
Brass, M10	1277220000
Stainless steel 1.4404, M10	1283440000
Brass, M6	1277250000
Stainless steel 1.4404, M6	1283430000
Compensating element	Order No.
Polyamide 6, M12	1868570000
Stainless steel 1.4305, M12	1868550000
Stainless steel 1.4404, M20 for Ex applications	1344630000

Max. number of terminals (industry)

Assembly with terminal	vertical	horizontal
2.5 mm ²	*	2x107
4 mm ²	*	2x89
6 mm ²		2x66
10 mm ²		2x53
16 mm ²		2x44



Note The assembly with terminal rails is designed for direct mounting. The assembly with modular terminals gives consideration to a distance of 10 mm from the end of each mounting rail.
Order recommendations: TS 35 mounting rail (screw terminal) WDU 2.5 1020000000 / (tension clamp terminal) ZDU 2.5 1608510000
*There are no specified mounting options available for vertical mounting in the enclosure.

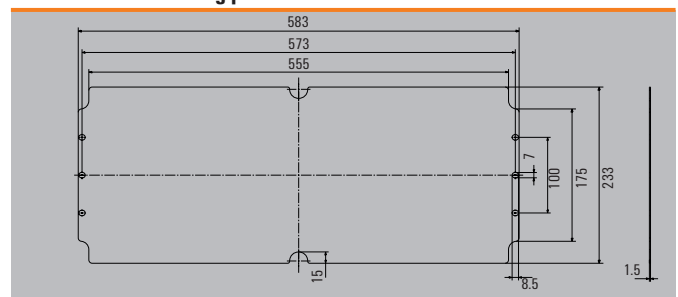
Number of cable entries

Number of cable entries	A / B	C / D
M12	96	32
M16	80	21
M20	24	15
M25	20	8
M32	20	3
M40	8	3
M50	6	2
M63		



Note ** Our IP 68 plastic cable glands are used as the reference for these guideline values.

Dimensions of mounting plate



Note



405 / 400 / 120 mm

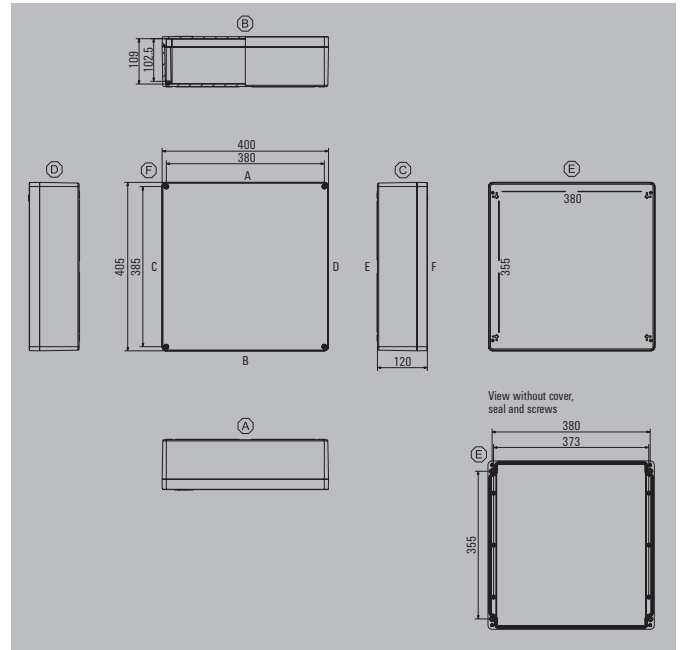
Ordering data

RAL 7001	Standard	Order No.
		1305970000
RAL 9011	Ex enclosure	Order No.
		1306150000
Note	The overview page lists the ambient temperatures.	

Accessories

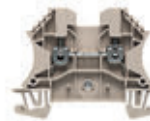
Mounting plates and fastening screws	Order No.
Steel sheet, zinc plated	9510670000
Steel sheet, galvanized for applications with earthing plate	1534440000
Fastening screws for mounting plates	0642600000
Brass Earth Continuity Plate	Order No.
Brass	1391070000
External mounting feet, set of 4	Order No.
Stainless steel 1.4301	9510910000
Earthing stud	Order No.
Brass, M10	1277220000
Stainless steel 1.4404, M10	1283440000
Brass, M6	1277250000
Stainless steel 1.4404, M6	1283430000
Compensating element	Order No.
Polyamide 6, M12	1868570000
Stainless steel 1.4305, M12	1868550000
Stainless steel 1.4404, M20 for Ex applications	1344630000

Note



Max. number of terminals (industry)

Assembly with terminal	vertical	horizontal
2.5 mm ²	*	3x67
4 mm ²	*	3x55
6 mm ²		3x41
10 mm ²		3x33
16 mm ²		3x27



Note

The assembly with terminal rails is designed for direct mounting. The assembly with modular terminals gives consideration to a distance of 10 mm from the end of each mounting rail.
 Order recommendations:
 TS 35 mounting rail (screw terminal) WDU 2.5 1020000000 / (tension clamp terminal) ZDU 2.5 1608510000
 *There are no specified mounting options available for vertical mounting in the enclosure.

Number of cable entries

Number of cable entries	A / B	C / D
M12	62	60
M16	54	39
M20	33	30
M25	18	18
M32	14	7
M40	6	5
M50	4	4
M63		



Note

** Our IP 68 plastic cable glands are used as the reference for these guideline values.

Dimensions of mounting plate

