

**Features**

- Enclosures made of copper-free aluminum
- Suitable for operation in Zones 1, 2, 21 and 22
- Certified Ex d IIC and Ex tb
- More than 50 enclosure size options
- Free configuration of cable entries and terminals for customized terminal boxes
- Customizable configuration of operating elements and cable gland types as per specification
- Integration of electrical components and control elements as per customer specification
- Choice of viewing windows for monitoring instruments

**Function**

The GUB series of Ex d IIC certified enclosures forms the optimal basis for the application-specific configuration of terminal boxes as well as control and distribution panels. A wide range of components and control functions can be integrated in one of many size and design options of Ex d and Ex tb certified flameproof enclosures. They are manufactured from copper-free aluminum with increased corrosion resistance. This durability and the comprehensive enclosure sizes cover the requirements of many industries including offshore and marine applications. A choice of windows allows viewing of integrated monitoring functions. Electrical components can be integrated as per customer specification.



**Type Code / Model Number**

**Enclosure type**

**GUB** enclosure Ex d IIC

**Material**

copper-free aluminum

**Window**

no window

**W**

window

**Enclosure variant**

standard variant

**E**

variant with extension

**Enclosure size**

**00 ... 5** see dimensions data table

**Electrical circuits**

**D** without intrinsically safe circuits

**I** intrinsically safe circuits integrated

**Type of application**

**U** empty enclosure

**T** terminal box

**CP** control panel

**CS** control station

**DB** distribution board

**MS** motor starter

**PS** power switching

**RIO** remote I/O field unit

**IFS** interface solution

**FJB** fieldbus solution

**OS** optical solution

**Q40** engineered solution per customer specification (Q40)

**Variant number**

-Yxxxxxx

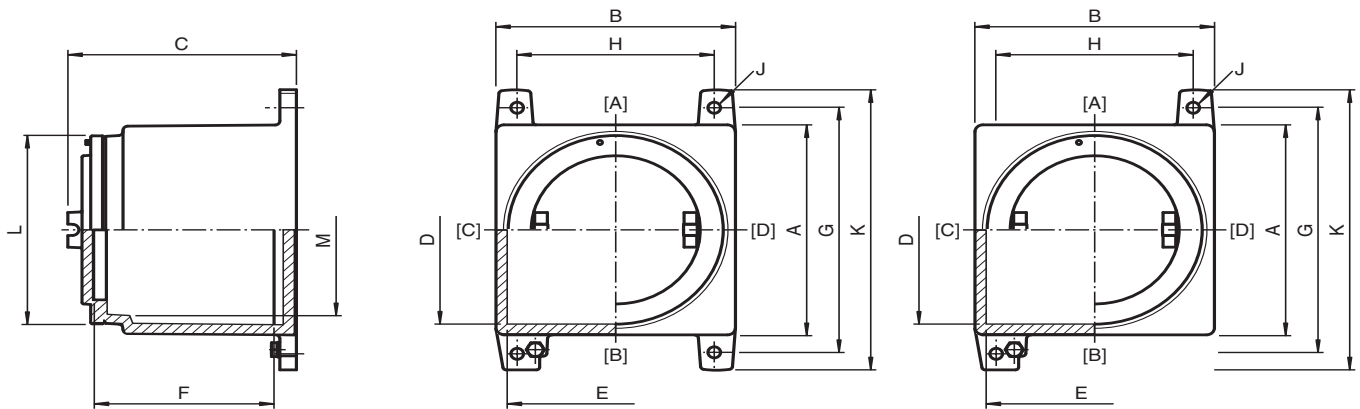
GUB		W	E	3	.D	.CP	-Yxxxxxx
-----	--	---	---	---	----	-----	----------

Example: Control panel GUB size 3 in aluminum, with extension and window, without intrinsically safe circuits

Release date 2018-12-18 T164870

<b>Technical Data</b>	
<b>Electrical specifications</b>	
Operating voltage	1000 V DC / 1500 V AC max.
Operating current	recommended: 1600 A max.
<b>Mechanical specifications</b>	
Dimensions	see data tables values might differ slightly due to casting and manufacturing tolerances
Thread type	metric ISO pitch 1.5 mm or NPT ANSI ASME B1.20.1
Enclosure cover	threaded round cover
Cover fixing	flamepath thread
Cover seal	none, O-ring for IP66/67
Degree of protection	IP66 (IP66/67 with O-ring)
Cable entry	see data tables
Grounding	M6 external grounding points
Mass	see data tables valid for empty enclosure, will increase according to integrated components
<b>Material</b>	
Enclosure	aluminum alloy
Finish	epoxy coated RAL 7005 (grey)
O-Ring	silicone
Flamepath grease	petroleum jelly
Glass	thermo-resistant tempered glass
<b>Ambient conditions</b>	
Ambient temperature	-60 ... 60 °C (-76 ... 140 °F) depending on integrated components
<b>Data for application in connection with hazardous areas</b>	
EU-Type Examination Certificate	INERIS 14 ATEX 0035X INERIS 16 ATEX 9005U
Marking	ⓧ II 2 GD Ex db IIC T* Gb Ex tb IIIC T** °C Db T6/T85 °C T5/T100 °C T4/T135 °C T3/T200 °C depending on configuration, ambient temperature and built-in power loss
Maximum power dissipation	see data tables maximum power dissipation at T4/+40 °C
<b>International approvals</b>	
IECEX approval	IECEX INE 14.0042X IECEX INE 16.0051U
EAC approval	TC RU C-IT.AA87.B.00156
Further approvals	available on request
<b>Conformity</b>	
Degree of protection	EN 60529
CE marking	0080 or 0102, see type label
<b>General information</b>	
Ordering information	This solution will be delivered completely configured and assembled ready for use. For configuration details please contact Customer Service.
Supplementary information	EC-Type Examination Certificate, Statement of Conformity, Declaration of Conformity, Attestation of Conformity and instructions have to be observed where applicable. For information see <a href="http://www.pepperl-fuchs.com">www.pepperl-fuchs.com</a> .

GUB\* Dimensions



Legend	
A	Height
B	Width
C	Depth
D	Internal height
E	Internal width
F	Internal depth to surface mounting plate
G	Mounting holes distance, vertical
H	Mounting holes distance, horizontal
J	Mounting holes diameter

Legend	
K	Maximum external dimension with mounting bracket
L	Diameter cover
M	Diameter mounting aperture
[A] ... [D]	Cable entry faces

Dimension values see data table.  
 Real values might differ slightly due to casting and manufacturing tolerances.  
 Image and drawing are generic for this enclosure type and may deviate from the specific variant.

Dimensions and Enclosure Details

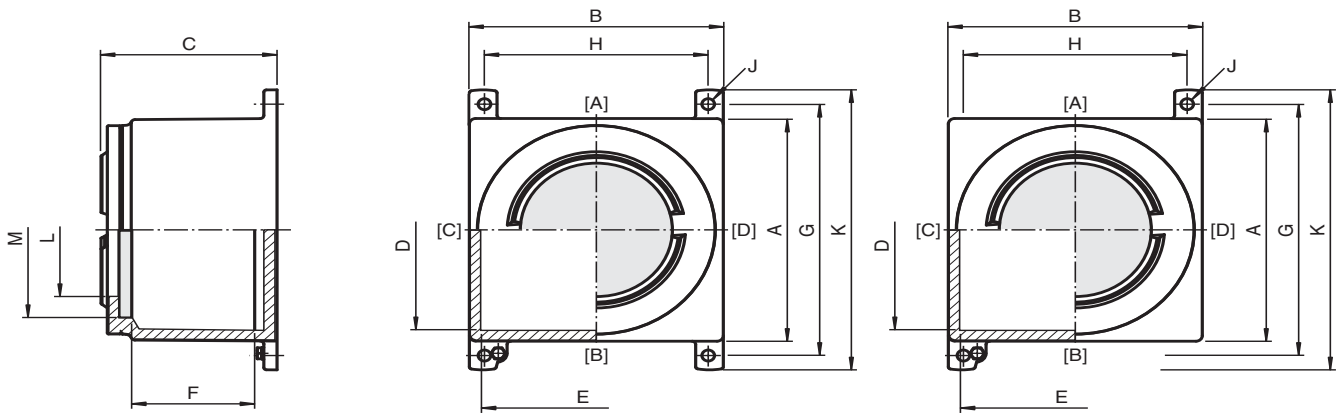
Type	External dimensions [mm]				Internal dimensions [mm]			Mounting [mm]			Diameter [mm]		Mounting brackets quantity	Mass [kg]	Max. power dissipation at T4/+40 °C [W]
	A	B	C	K	D	E	F	G	H	J	L	M			
GUB00*	119	119	137	170	92	92	98	145	95	8	112	97	2	2	48
GUB0*	150	150	145	205	125	125	117	178	125	8	136	114	2	3.5	78
GUB0H*	150	150	185	205	125	125	150	178	125	8	136	114	2	4.5	91
GUB1*	200	200	160	255	170	170	110	228	178	10	189	163	2	6.4	122
GUB1H*	200	200	200	255	170	170	150	228	178	10	189	163	2	7.6	143
GUB1PF*	176	176	139	220	150	150	105	196	154	10	170	147	2	6.4	95
GUB2*	250	250	160	305	225	225	112	275	232	10	231	206	4	8.5	181
GUB3*	255	255	215	310	228	228	165	285	228	10	231	206	4	11.5	222
GUB3L*	360	360	245	430	325	325	183	395	318	10	348	320	4	21	293
GUB4* (-20 °C)	450	450	305	530	410	410	227	485	410	10	437	406	4	43.5	466
GUB4*	450	450	305	530	410	410	215	485	410	10	437	406	4	53.5	466
GUB4A* (-20 °C)	450	450	235	530	410	410	157	485	410	10	437	406	4	38	400
GUB4A*	450	450	235	530	410	410	145	485	410	10	437	406	4	48	400
GUB5*	555	555	400	647	514	514	266	595	500	14	546	504	4	80	749

Mass is valid for empty enclosure, it will increase according to integrated components and cable glands  
 Values might differ slightly due to casting and manufacturing tolerances

Release date 2018-12-18 T164870

Refer to "General Notes Relating to Pepperl+Fuchs Product Information".

GUBW\* Dimensions



Legend	
A	Height
B	Width
C	Depth
D	Internal height
E	Internal width
F	Internal depth to surface mounting plate
G	Mounting holes distance, vertical
H	Mounting holes distance, horizontal
J	Mounting holes diameter

Legend	
K	Maximum external dimension with mounting bracket
L	Diameter window
M	Diameter mounting aperture
[A] ... [D]	Cable entry faces

Dimension values see data table.  
 Real values might differ slightly due to casting and manufacturing tolerances.  
 Image and drawing are generic for this enclosure type and may deviate from the specific variant.

GUBW\* Dimensions and Enclosure Details

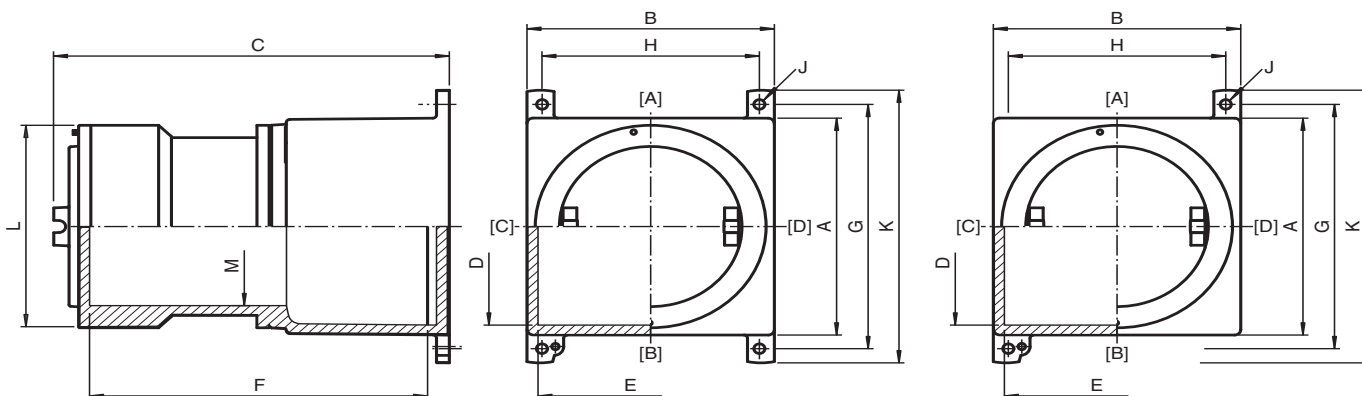
Type	External dimensions [mm]				Internal dimensions [mm]			Mounting [mm]			Diameter [mm]		Mounting brackets quantity	Mass [kg]	Max. power dissipation at T4/+40 °C [W]
	A	B	C	K	D	E	F	G	H	J	L	M			
GUBW00*	119	119	137	170	92	92	85	145	95	8	64	97	2	2.1	48
GUBW0*	150	150	145	205	125	125	105	178	125	8	79	114	2	3.6	78
GUBW0H*	150	150	185	205	125	125	137	178	125	8	79	114	2	4.6	91
GUBW1*	200	200	160	255	170	170	95	228	178	10	121	163	2	6.3	122
GUBW1H*	200	200	200	255	170	170	135	228	178	10	121	163	2	7.5	143
GUBW2*	250	250	160	305	225	225	93	275	232	10	160	206	4	9	95
GUBW3*	255	255	215	310	228	228	150	285	228	10	160	206	4	11	181
GUBW3L*	360	360	245	430	325	325	160	395	318	10	260	320	4	22	222
GUBW4* (-20 °C)	450	450	305	530	410	410	203	485	410	10	260	406	4	44	293
GUBW4*	450	450	305	530	410	410	203	485	410	10	260	406	4	51	466
GUBW4A* (-20 °C)	450	450	235	530	410	410	133	485	410	10	260	406	4	39	466
GUBW4A*	450	450	235	530	410	410	133	485	410	10	260	406	4	46	400
GUBW5*	555	555	400	647	514	514	275	595	500	14	260	504	4	80	749

Mass is valid for empty enclosure, it will increase according to integrated components and cable glands  
 Values might differ slightly due to casting and manufacturing tolerances

Release date 2018-12-18 T164870

Refer to "General Notes Relating to Pepperl+Fuchs Product Information".

GUBE\* Dimensions



Legend	
A	Height
B	Width
C	Depth
D	Internal height
E	Internal width
F	Internal depth to surface mounting plate
G	Mounting holes distance, vertical
H	Mounting holes distance, horizontal
J	Mounting holes diameter

Legend	
K	Maximum external dimension with mounting bracket
L	Diameter cover
M	Diameter mounting aperture
[A] ... [D]	Cable entry faces

Dimension values see data table.  
 Real values might differ slightly due to casting and manufacturing tolerances.  
 Image and drawing are generic for this enclosure type and may deviate from the specific variant.

GUBE\* Dimensions and Enclosure Details

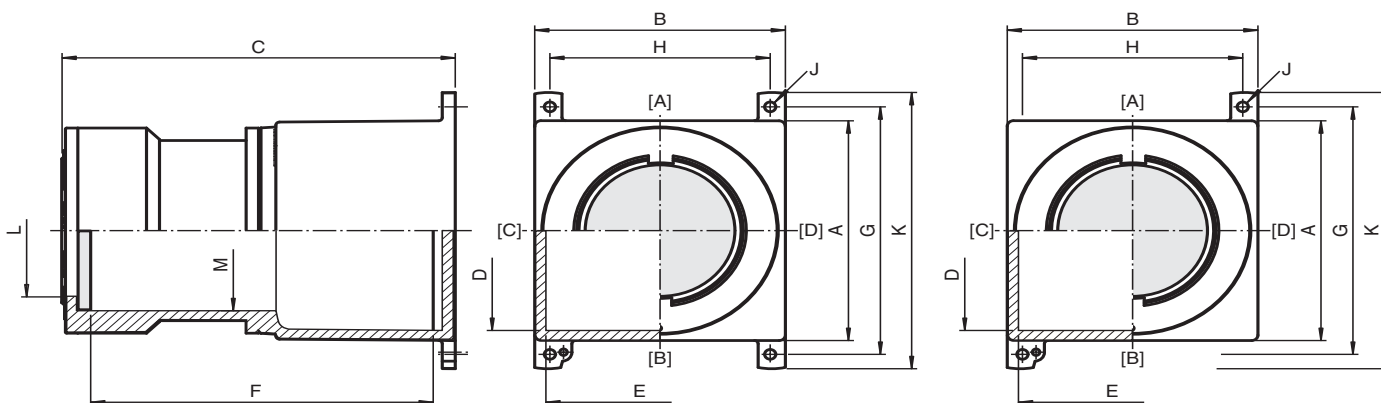
Type	External dimensions [mm]				Internal dimensions [mm]			Mounting [mm]			Diameter [mm]		Mounting brackets quantity	Mass [kg]	Max. power dissipation at T4/+40 °C [W]
	A	B	C	K	D	E	F	G	H	J	L	M			
GUBE0*	150	150	252	205	125	125	224	178	125	8	136	114	2	3.3	111
GUBE0H*	150	150	292	205	125	125	255	178	125	8	136	114	2	4.8	125
GUBE1*	200	200	305	255	170	170	255	228	178	10	189	163	2	9.1	185
GUBE1H*	200	200	345	255	170	170	295	228	178	10	189	163	2	10.4	206
GUBE2*	250	250	340	305	225	225	295	275	232	10	231	206	4	13	283
GUBE3*	255	255	395	310	228	228	345	285	228	10	231	206	4	15.2	323
GUBE3L*	360	360	405	430	325	325	345	395	318	10	348	320	4	32.5	405
GUBE3L*	360	360	495	430	325	325	435	395	318	10	348	320	4	35	458
GUBE4* (-20 °C)	450	450	545	530	410	410	470	485	410	10	437	406	4	59	675
GUBE4*	450	450	545	530	410	410	457	485	410	10	437	406	4	69	675
GUBE4A* (-20 °C)	450	450	475	530	410	410	397	485	410	10	437	406	4	54	609
GUBE4A*	450	450	475	530	410	410	384	485	410	10	437	406	4	64	609

Mass is valid for empty enclosure, it will increase according to integrated components and cable glands  
 Values might differ slightly due to casting and manufacturing tolerances

Release date 2018-12-18 T164870

Refer to "General Notes Relating to Pepperl+Fuchs Product Information".

GUBWE\* Dimensions



Legend	
A	Height
B	Width
C	Depth
D	Internal height
E	Internal width
F	Internal depth to surface mounting plate
G	Mounting holes distance, vertical
H	Mounting holes distance, horizontal
J	Mounting holes diameter

Legend	
K	Maximum external dimension with mounting bracket
L	Diameter window
M	Diameter mounting aperture
[A] ... [D]	Cable entry faces

Dimension values see data table.  
 Real values might differ slightly due to casting and manufacturing tolerances.  
 Image and drawing are generic for this enclosure type and may deviate from the specific variant.

GUBWE\* Dimensions and Enclosure Details

Type	External dimensions [mm]				Internal dimensions [mm]			Mounting [mm]			Diameter [mm]		Mounting brackets quantity	Mass [kg]	Max. power dissipation at T4/+40 °C [W]
	A	B	C	K	D	E	F	G	H	J	L	M			
GUBWE0*	150	150	252	205	125	125	212	178	125	8	79	114	2	3.5	111
GUBWE0H*	150	150	292	205	125	125	242	178	125	8	79	114	2	5	125
GUBWE1*	200	200	305	255	170	170	240	228	178	10	121	163	2	9	185
GUBWE1H*	200	200	345	255	170	170	280	228	178	10	121	163	2	10.3	206
GUBWE2*	250	250	340	305	225	225	280	275	232	10	160	206	4	12.5	283
GUBWE3*	255	255	395	310	228	228	330	285	228	10	160	206	4	15.5	323
GUBWEB3L*	360	360	405	430	325	325	322	395	318	10	260	320	4	33.5	405
GUBWE3L*	360	360	495	430	325	325	412	395	318	10	260	320	4	36	458
GUBWE4* (-20 °C)	450	450	545	530	410	410	445	485	410	10	260	406	4	61	675
GUBWE4*	450	450	545	530	410	410	445	485	410	10	260	406	4	68	675
GUBWE4A* (-20 °C)	450	450	475	530	410	410	372	485	410	10	260	406	4	56	609
GUBWE4A*	450	450	475	530	410	410	372	485	410	10	260	406	4	63	609

Mass is valid for empty enclosure, it will increase according to integrated components and cable glands  
 Values might differ slightly due to casting and manufacturing tolerances

Release date 2018-12-18 T164870

Refer to "General Notes Relating to Pepperl+Fuchs Product Information".

## Cable Entries max. Quantity per Size

Type	Cover	Faces A ... D									Bottom				
	M12	M20	M25	M32	M42	M50	M63	M75	M85	M110	M20	M25	M32	M42	M50
	1/4"	1/2"	3/4"	1"	1-1/4"	1-1/2"	2"	2-1/2"	3"	4"	1/2"	3/4"	1"	1-1/4"	1-1/2"
GUB00*	1	4	3	2	1	1	1	-	-	-	2	2	1	-	-
GUB0*	1	6	5	3	2	2	1	1	-	-	4	3	1	-	-
GUB0H*	1	10	8	4	3	2	1	1	1	1	4	3	1	-	-
GUB1*	2	8	8	5	2	2	2	1	-	-	6	4	2	1	1
GUB1H*	2	12	10	5	4	4	2	1	1	1	6	4	2	1	1
GUB1PF*	1	8	6	3	2	2	1	-	-	-	4	3	1	1	1
GUB2*	3	10	10	6	3	3	2	2	-	-	10	8	4	2	2
GUB3*	3	20	15	10	6	5	3	2	2	1	10	8	4	2	2
GUB3L*	8	30	25	15	8	8	5	3	2	1	20	12	10	4	4
GUB4*	10	45	35	20	14	10	8	5	3	1	25	15	11	5	5
GUB4A*	10	28	20	12	10	5	4	3	3	-	25	15	11	5	5
GUB5*	12	70	60	35	20	15	12	6	5	3	35	20	18	6	6

Metric ISO pitch 1.5mm, NPT ANSI ASME B1.20.1

Table shows drilling pattern for ambient temperature range -20 ... +60 °C. For lower temperatures please contact Pepperl+Fuchs  
For types of cable glands and combination of different gland sizes please contact Pepperl+Fuchs