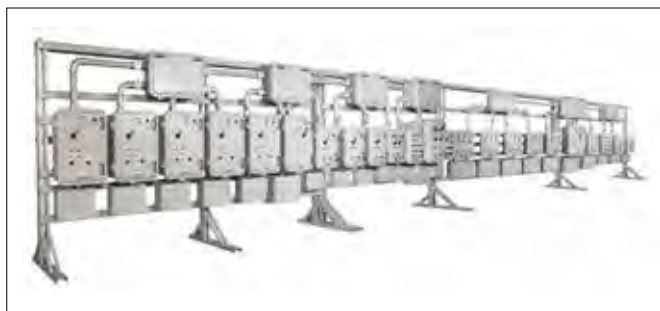


## EX ENCLOSURES

---





**Installation:** hazardous areas - Zone 1 / 2 (Gases) - Zone 21 / 22 (Dusts)  
**Classification:** Group II - Category 2G 2D



**REFERENCE STANDARDS**

**Directive 2014/34/EU**

EXECUTION	(⊕ II 2 G) Ex db IIA or IIB or IIB+H2 T6...T3 (⊕ II 2 G) Ex db [ia/ib IIA or IIB or IIC Ga] IIA or IIB or IIB+H2 T6 (⊕ II 2 D) Ex tb IIIC T85°C...T200°C (⊕ II 2 D) Ex tb [ia Da/ib] IIIC T85°C ⊕ II 2 G Ex db IIC T6...T3 ⊕ II 2 G Ex db [ia/ib/ic IIA or IIB or IIC Ga/Gc] IIC T6...T3 ⊕ II 2 D Ex tb IIIC T85°C...T200°C ⊕ II 2 D Ex tb [ia Da/ib/ic Dc] IIIC T85°C...T200°C ⊕ II 2 G Ex d e ia/ib ia mb IIC T6, T5 or T4 Gb ⊕ II 2 D Ex tb IIIC T85°C or T135°C Db
RULES OF COMPLIANCE	EN/IEC 60079-0; EN/IEC 60079-1; EN/IEC 60079-11; EN/IEC 60079-31
PROTECTION DEGREE	IP66
AMBIENT TEMPERATURE	-60°C ÷ +60°C
OTHER AVAILABLE CERTIFICATES	IECEx INMETRO EAC RINA RUSSIAN MARINE CERTIFICATE (RMRS) UL NEC 505

**NEC - NEMA 4, 7, 9**

INSTALLATION	Class I - Groups B, C, e D Class II - Groups E, F, e G Class III
PROTECTION	4, 7 BCD, 9 EFG
PROTECTION DEGREE	IP66
AMBIENT TEMPERATURE	-20°C ÷ +40°C
CERTIFICATION AND COMPLIANCES	- UL Standard 1203 - 4 <sup>th</sup> Ed. (15 Sett. 2006) - Explosion-Proof / Dust-Ignition-Proof - Electrical Equipment for Use in Hazardous (Classified) Locations

**Mechanical characteristics**

Boxes	marine grade copper free aluminum - stainless steel AISI 316L
Painting	external epoxy powders grey RAL-9006 colour (standard)
Screws	external stainless steel
Gaskets	silicon rubber
Pipes and fittings	galvanized steel (standard) - stainless steel (optional)
Supporting rack	hot dip galvanized steel - stainless steel
Cable entry	3/4" NPT size threaded



**On Request Accessories:**

- Stainless steel pipes and fittings
- Galvanized steel epoxy painted supporting rack
- Stainless steel supporting rack
- Internal anticondensate painting orange RAL-2004
- External colours different from standard

**Description:**

“SWITCH-RACK” is a word usually adopted to indicate an ensemble of control units, signaling units, motor starters, switching units, and so on. Switch-racks are mechanically assembled on robust frame with various fixing solutions (ground, wall, etc.), electrically wired up on purpose. Nuova ASP since over 50 years, designs and manufacturers switch-racks according to its own diagram or according to customer’s specifications, in full compliance with European CENELEC standards.

**INFORMATIONS:**

**Test and inspections:**

All components and documents are tested and checked at the various working stages , according to Nuova ASP’s “Quality Plans”. The above mentioned Plans call for all test and checks necessary to ensure an execution “on purpose”. Whenever a strict, documented quality control execution is required please advise Nuova ASP Sales Department. When the switchrack is completed ,an effective working inspection is carried out, and an “inspection report” is written. Customer’s inspectors are allowed in Nuova ASP’s workshop to survey working evolution and to witness final inspection.

**Standard Tests and Checks:**

- |  |   |  |
|--|---|--|
| <ul style="list-style-type: none"> <li>• Visual and dimensional control</li> <li>• Working control</li> <li>• Equipment control</li> </ul> | <ul style="list-style-type: none"> <li>• Mechanical running control</li> <li>• Hydrostatic test</li> <li>• Insulation test</li> </ul> | <ul style="list-style-type: none"> <li>• Grinding check</li> <li>• Insulation resistance measuring</li> <li>• Insulation test / Electrical running test</li> </ul> |
|--|---|--|

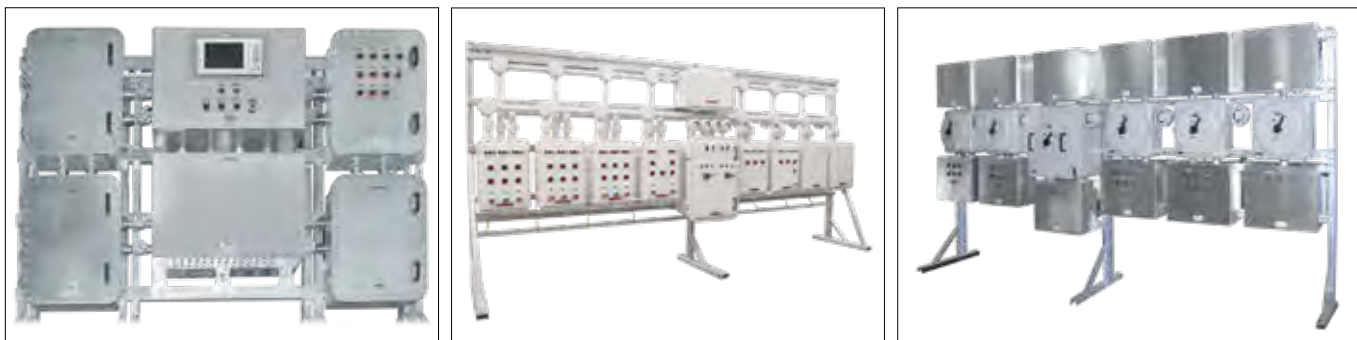
**Ordering:**

The following technical information are needed to work out a switchrack. A direct consult with Nuova ASP Sales Department is however advisable, especially when problems of space arise.

- A) Area classification and mode of protection.
- B) Applicable standards
- C) Power and auxiliary wiring diagrams or full, detailed description of switchrack’s work
- D) Maximum overall dimensions.  
Possibility of double front execution
- E) Location of incoming and outgoing cable entries
- F) Threading, size and number of hubs
- G) Type of cable entries
- H) Painting cycle, type and color
- I) Switchrack’s location (indoor or outdoor)
- L) Request of protective canopy(if needed)
- N) “Vendor List” of components to be respected (if any)

**Responsibility:**

Once acknowledged the order, Nuova ASP Technical Dept. issues electrical and mechanical manufacturing drawings. These drawings are sent to customer “for approval” and whichever change has to be advised as soon as possible. We take full responsibility for engineering, purchasing and assembling of components ,wiring and erection of the ensemble ready for installation.



**REMARK:**

Due to the development of the national and international specifications and of the technology, the above technical characteristics showed on this bulletin can be considered as binding on our confirmation only.





**Installation:** hazardous areas - Zone 1 / 2 (Gases) - Zone 21 / 22 (Dusts)  
**Classification:** Group II - Category 2G 2D



**REFERENCE STANDARDS**

**Directive 2014/34/EU**

EXECUTION	(⊕ II 2 G) Ex db IIA or IIB or IIB+H2 T6...T3 (⊕ II 2 G) Ex db [Ia/Ib IIA or IIB or IIC Ga] IIA or IIB or IIB+H2 T6 (⊕ II 2 D) Ex tb IIIC T85°C...T200°C (⊕ II 2 D) Ex tb [Ia Da/Ib] IIIC T85°C
RULES OF COMPLIANCE	EN/IEC 60079-0; EN/IEC 60079-1; EN/IEC 60079-11; EN/IEC 60079-31
EC Type-Examination Certificate	INERIS 13 ATEX 0058X
PROTECTION DEGREE	IP66
AMBIENT TEMPERATURE	-60°C ÷ +80°C
OTHER AVAILABLE CERTIFICATES	Component: INERIS 13 ATEX 9022U IECEx: IECEx INE 13_0078X Component: IECEx INE 13_0079U INMETRO: CEPPEL 12.2138 EAC: TC RU C-IT.ГБ08.B.01468 RINA: ELE137217CS003 RUSSIAN MARINE CERTIFICATE (RMRS): 19.02549.280 NEC 505: UL 20141125-E344596 - Type rating NEMA 1, 12, 4 and 4X KC: 16-KA4BO- (from 119X to 0141X) KC (Component): 16-KA4BO- (from 0063U to 0084U) CCOE-PESO: P405708/10

**Mechanical characteristics**

Body/cover	marine grade copper free aluminium light alloy
Screws	stainless steel
Internal mounting plate	hot dip galvanized steel / aluminum
Fixing	fixing lugs AL UNI EN 1706:1999 - galvanized steel stirrups sp. 10mm (EJB71/73-91/93)
Hinges	On the long side - cast on enclosure body and cover



**On Request Accessories:**

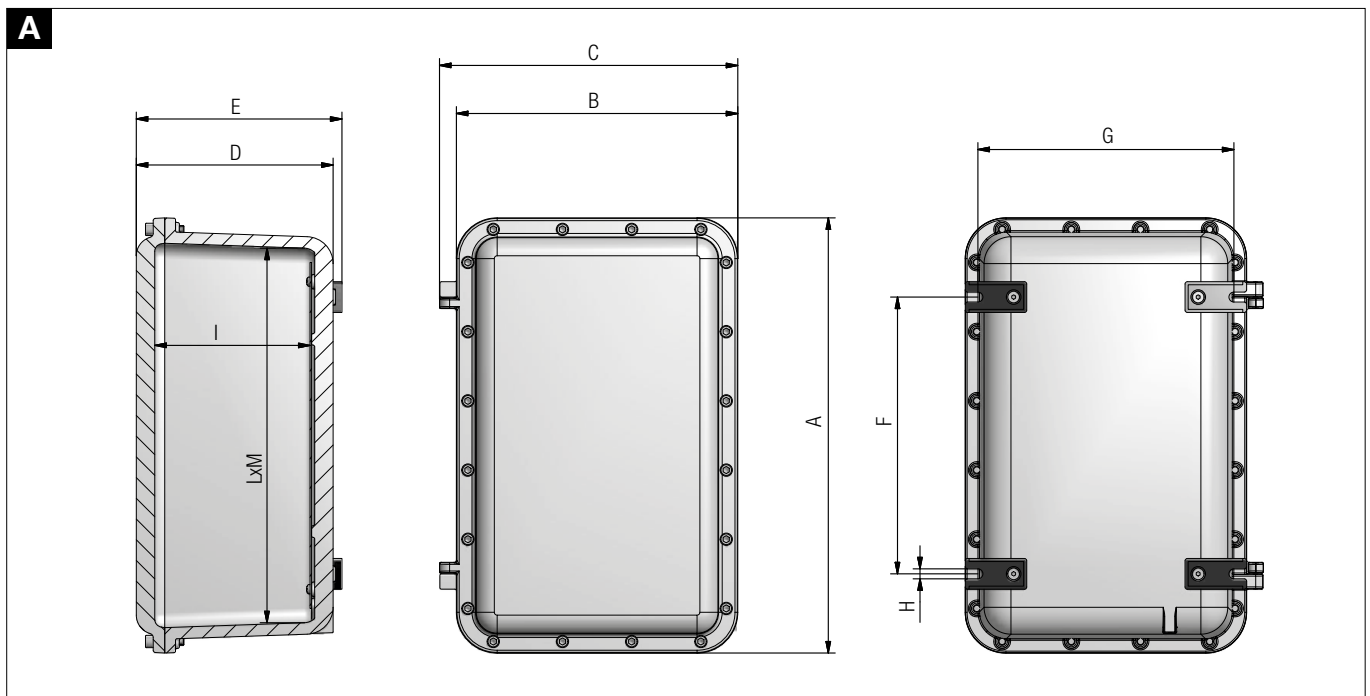
- External epoxy painting with colour on request
- Internal anticondensate painting orange RAL-2004
- O-Ring gaskets on cover
- Glass windows on cover
- Drain and breather valves
- Galvanized steel body & cover
- Cast iron body & cover



Technical Features

CODE	A [mm]	B [mm]	C [mm]	D [mm]	E [mm]	F [mm]	G [mm]	H [mm]	I [mm]	L [mm]	M [mm]	INT. PLATE X - Y [mm]	WEIGHT [Kg]	DETAIL
EJB08	380	170	188	126	136	270	156	11	91	315	105	305 - 85	8,2	A
EJB11A	175	175	197	122	132	78	171	11	90	113	113	100 - 100	4,00	A
EJB21A	284	245	267	169	179	160	241	11	121	216	176	180 - 140	11,20	A
EJB22A	300	200	221	222	232	195	186	11	174	229	129	180 - 100	11,30	A
EJB23A	310	260	281	197	207	195	251	11	152	245	195	200 - 160	13,30	A
EJB30A	415	315	337	164	174	294	299	11	113	345	245	300 - 200	19,50	A
EJB31A	415	315	337	246	256	294	299	11	195	345	245	300 - 200	24,20	A
EJB51A	566	366	388	256	268	360	337	13	200	487	287	450 - 250	36,10	A
EJB61A	670	470	491	361	373	500	443	13	307	580	380	530 - 330	68,10	A
EJB63A	670	470	491	236	248	500	443	13	182	580	380	530 - 330	50,50	A
EJB71	742	542	572	429	439	520	580	16	331	632	432	590 - 390	110,40	A
EJB73	742	542	572	311	321	520	580	16	213	632	432	590 - 390	95,60	A
EJB91S	960	660	697	462	472	700	650	16	350	825	525	750 - 440	188,50	A
EJB93S	960	660	697	305	315	700	650	16	193	825	525	750 - 440	166,50	A

Reference details

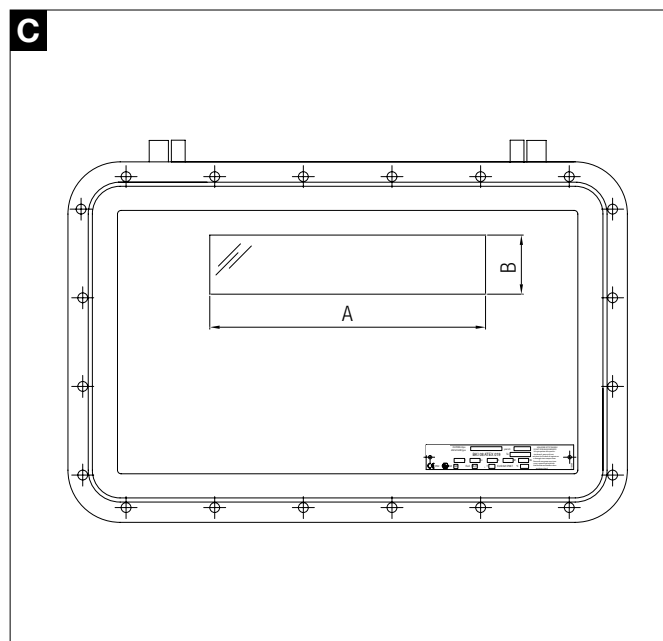


Glass windows on cover

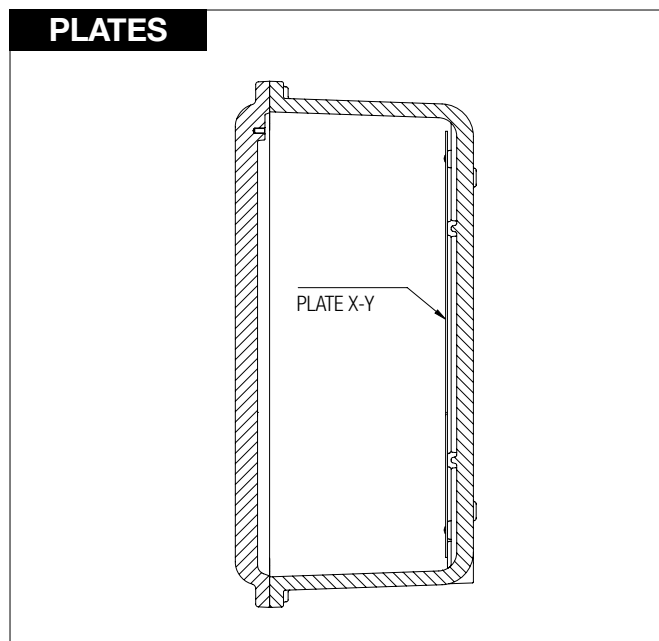
WINDOW CODE	WINDOW TYPE	ENCLOSURE CODE											DIMENSIONS		DETAIL
		EJB-08	EJB-11	EJB-21	EJB-22	EJB-23	EJB-30/31	EJB-51	EJB-61/63	EJB-71/73	EJB-91/93	A [mm]	B [mm]		
KITF1ST	F1	X	X	X	X	X	X	X	X	X	X	X	60	60	C
KITF2ST	F2	-	-	X	X	X	X	X	X	X	X	X	75	75	C
KITF3ST	F3	-	-	X	X	X	X	X	X	X	X	X	110	75	C
KITF4ST	F4	-	-	X	X	X	X	X	X	X	X	-	150	75	C
KITF5ST	F5	-	-	-	-	-	X	X	X	-	-	-	150	150	C
KITF6ST	F6	-	-	-	-	-	X	X	X	-	-	-	300	75	C
KITF7ST	F7	-	-	-	-	-	X	X	X	-	-	-	300	150	C
KITF8	F8	-	-	-	-	-	-	-	X	-	-	-	300	300	C
KITF9	F9	-	-	-	-	-	-	-	X	-	-	-	450	300	C



Reference details



Reference details



Indicative quantity of terminals and relevant section

CODE	SECT. 2,5 [sq/mm]	SECT. 6,0 [sq/mm]	SECT. 10,0 [sq/mm]	SECT. 16,0 [sq/mm]	SECT. 35,0 [sq/mm]	SECT. 50,0 [sq/mm]	SECT. 70,0 [sq/mm]	SECT. 240,0 [sq/mm]	INT. PLATE X - Y [mm]
EJB08	24 x 1	18 x 1	10 x 1	-	-	-	-	-	305 - 85
EJB11A	12 x 1	8 x 1	6 x 1	-	-	-	-	-	100 - 100
EJB21A	30 x 1	20 x 1	14 x 1	12 x 1	9 x 1	7 x 1	5 x 1	1 x 1	180 - 140
EJB22A	30 x 1	20 x 1	14 x 1	12 x 1	9 x 1	7 x 1	5 x 1	1 x 1	180 - 100
EJB23A	35 x 1	22 x 1	16 x 1	14 x 1	11 x 1	9 x 1	7 x 1	2 x 1	200 - 160
EJB30A	52 x 2	32 x 2	24 x 2	20 x 2	14 x 2	12 x 1	8 x 1	4 x 1	300 - 200
EJB31A	52 x 2	32 x 2	24 x 2	20 x 2	14 x 2	12 x 1	8 x 1	4 x 1	300 - 200
EJB51A	80 x 2	46 x 2	36 x 2	30 x 2	22 x 2	18 x 2	16 x 1	6 x 1	450 - 250
EJB61A/63A	92 x 3	58 x 3	46 x 3	38 x 3	28 x 3	26 x 2	22 x 2	12 x 1	530 - 330
EJB71/73	110 x 3	70 x 3	56 x 3	46 x 3	34 x 3	28 x 2	24 x 2	12 x 1	590 - 390
EJB91S/93S	140 x 3	90 x 3	70 x 3	60 x 3	44 x 3	36 x 3	32 x 2	14 x 2	750 - 440

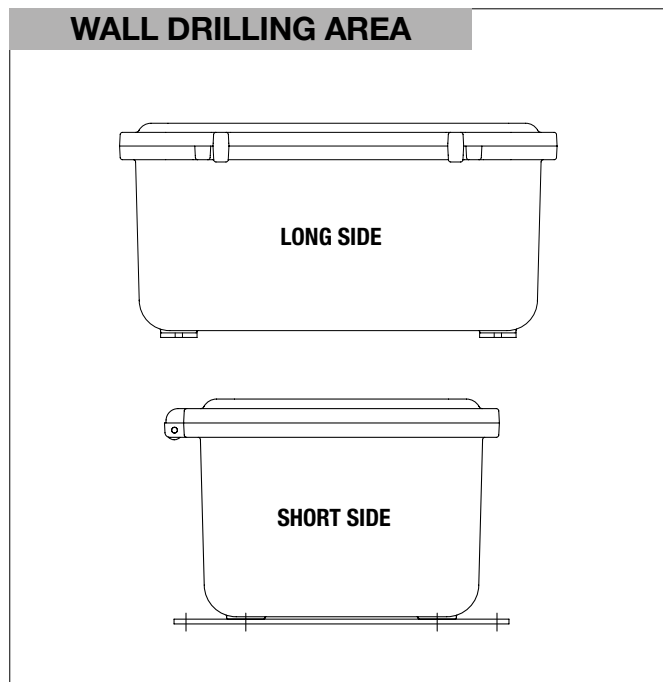
Body and cover enclosures indicative maximum quantity of holes of the same size

ENCLOSURE CODE	DRILLING AREA LONG SIDE							
	QUANTITY ALLOWED ENTRIES FOR SIZE (from 1 to size 8)							
	1	2	3	4	5	6	7	8
EJB08	9	6	5	4	4	-	-	-
EJB11A	3	2	2	1	1	-	-	-
EJB21A	10	7	5	3	2	2	1	-
EJB22A	15	11	8	6	6	3	2	1
EJB23A	11	8	6	4	3	3	2	1
EJB30A	13	7	5	5	4	3	-	-
EJB31A	28	18	14	11	8	6	3	2
EJB51A	44	27	24	20	12	10	6	3
EJB61A	72	50	36	32	21	21	14	8
EJB63A	36	29	18	16	14	7	5	4
EJB71	90	55	46	39	32	21	15	10
EJB73	40	26	22	18	14	12	7	4
EJB91S	112	84	65	55	40	28	23	14
EJB93S	48	42	29	22	10	11	9	5

ENCLOSURE CODE	DRILLING AREA SHORT SIDE							
	QUANTITY ALLOWED ENTRIES FOR SIZE (from 1 to size 8)							
	1	2	3	4	5	6	7	8
EJB08	2	2	1	1	-	-	-	-
EJB11A	3	2	2	1	1	-	-	-
EJB21A	8	5	4	3	2	1	1	-
EJB22A	9	5	5	4	2	1	1	1
EJB23A	9	6	6	5	2	2	1	1
EJB30A	9	5	4	3	3	2	-	-
EJB31A	20	12	9	8	6	5	2	1
EJB51A	24	15	12	11	6	6	3	2
EJB61A	48	30	24	20	12	12	8	6
EJB63A	24	17	12	10	8	4	3	3
EJB71	59	35	28	25	21	12	10	6
EJB73	26	18	14	12	8	11	4	2
EJB91S	70	42	35	35	24	18	13	8
EJB93S	30	24	21	14	12	7	5	3

**Body and cover enclosures indicative maximum quantity of holes of the same size**

**Reference details**



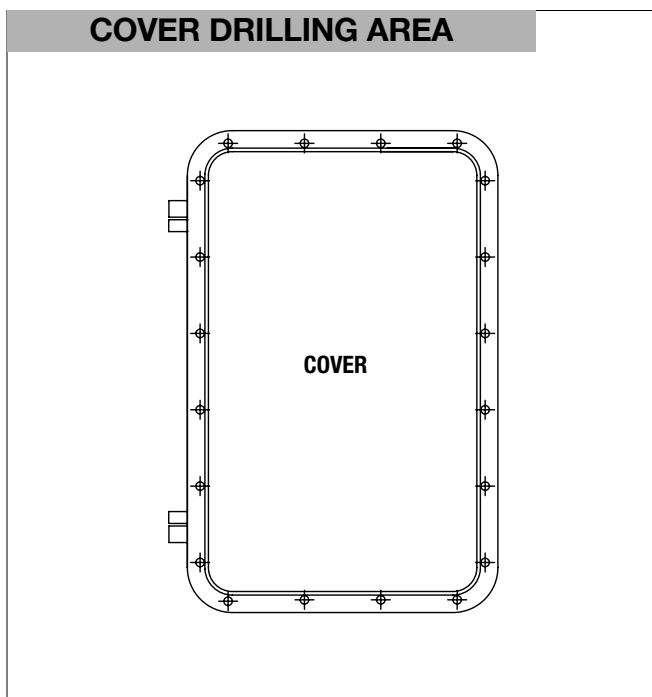
**Threads comparison table**

SIZE	EN10226-2	ISO 228-1	B1.20.1	ISO 262
0	R-Rc 1/8"	G 1/8"	1/8" NPT	M10
1	R-Rc 1/2"	G 1/2"	1/2" NPT	M20
2	R-Rc 3/4"	G 3/4"	3/4" NPT	M25
3	R-Rc 1"	G 1"	1" NPT	M32
4	R-Rc 1-1/4"	G 1-1/4"	1-1/4" NPT	M40
5	R-Rc 1-1/2"	G 1-1/2"	1-1/2" NPT	M50
6	R-Rc 2"	G 2"	2" NPT	M63
7	R-Rc 2-1/2"	G 2-1/2"	2-1/2" NPT	M75
8	R-Rc 3"	G 3"	3" NPT	M85
9	-	G 3-1/2"	3-1/2" NPT	M100
10	R-Rc 4"	G 4"	4" NPT	M115

**Max allowed quantity of push button and pilot light**

COVER DRILLING AREA	
ENCLOSURE CODE	MAX OPERATORS PERMITTED
EJB08	10
EJB11A	4
EJB21A	12
EJB22A	12
EJB23A	16
EJB30A	30
EJB31A	30
EJB51A	54
EJB61A	56
EJB63A	56
EJB71	48
EJB73	48
EJB91S	54
EJB93S	54

**Reference details**



**REMARK:**

Due to the development of the national and international specifications and of the technology, the above technical characteristics showed on this bulletin can be considered as binding on our confirmation only.





**Installation:** hazardous areas - Zone 1 / 2 (Gases) - Zone 21 / 22 (Dusts)  
**Classification:** Group II - Category 2G 2D



**REFERENCE STANDARDS**

**Directive 2014/34/EU**

EXECUTION	(⊕ II 2 G) Ex db IIA or IIB or IIB+H2 T6...T3 (⊕ II 2 G) Ex db [ja/ib IIA or IIB or IIC Ga] IIA or IIB or IIB+H2 T6 (⊕ II 2 D) Ex tb IIIC T85°C...T200°C (⊕ II 2 D) Ex tb [ja Da/ib] IIIC T85°C
RULES OF COMPLIANCE	EN/IEC 60079-0; EN/IEC 60079-1; EN/IEC 60079-11; EN/IEC 60079-31
EC Type-Examination Certificate	INERIS 13 ATEX 0058X
PROTECTION DEGREE	IP66
AMBIENT TEMPERATURE	-60°C ÷ +80°C
OTHER AVAILABLE CERTIFICATES	Component: INERIS 13 ATEX 9022U IECEX: IECEX INE 13_0078X Component: IECEX INE 13_0079U INMETRO: CEPEL 12.2138 EAC: TC RU C-IT.ГБ08.B.01468 RINA: ELE137217CS003 RUSSIAN MARINE CERTIFICATE (RMRS): 19.02549.280 NEC 505: UL 20141125-E344596 Type rating NEMA 1, 12, 4 and 4X KC: 16-KA4BO- (from 0119X to 0141X) KC (Component): 16-KA4BO- (from 0063U to 0084U)

**Mechanical characteristics**

Body/cover	stainless steel AISI-316 L
Screws	stainless steel AISI-316 L
Internal mounting plate	stainless steel AISI-316 L
Fixing	fixing lugs stainless steel AISI-316 L - stainless steel stirrups sp.10mm (EJB71/73 and EJB91/93)
Hinges	welded on cover and body
Opening handle	insulating material fixed on cover by stainless steel screws



**On Request Accessories:**

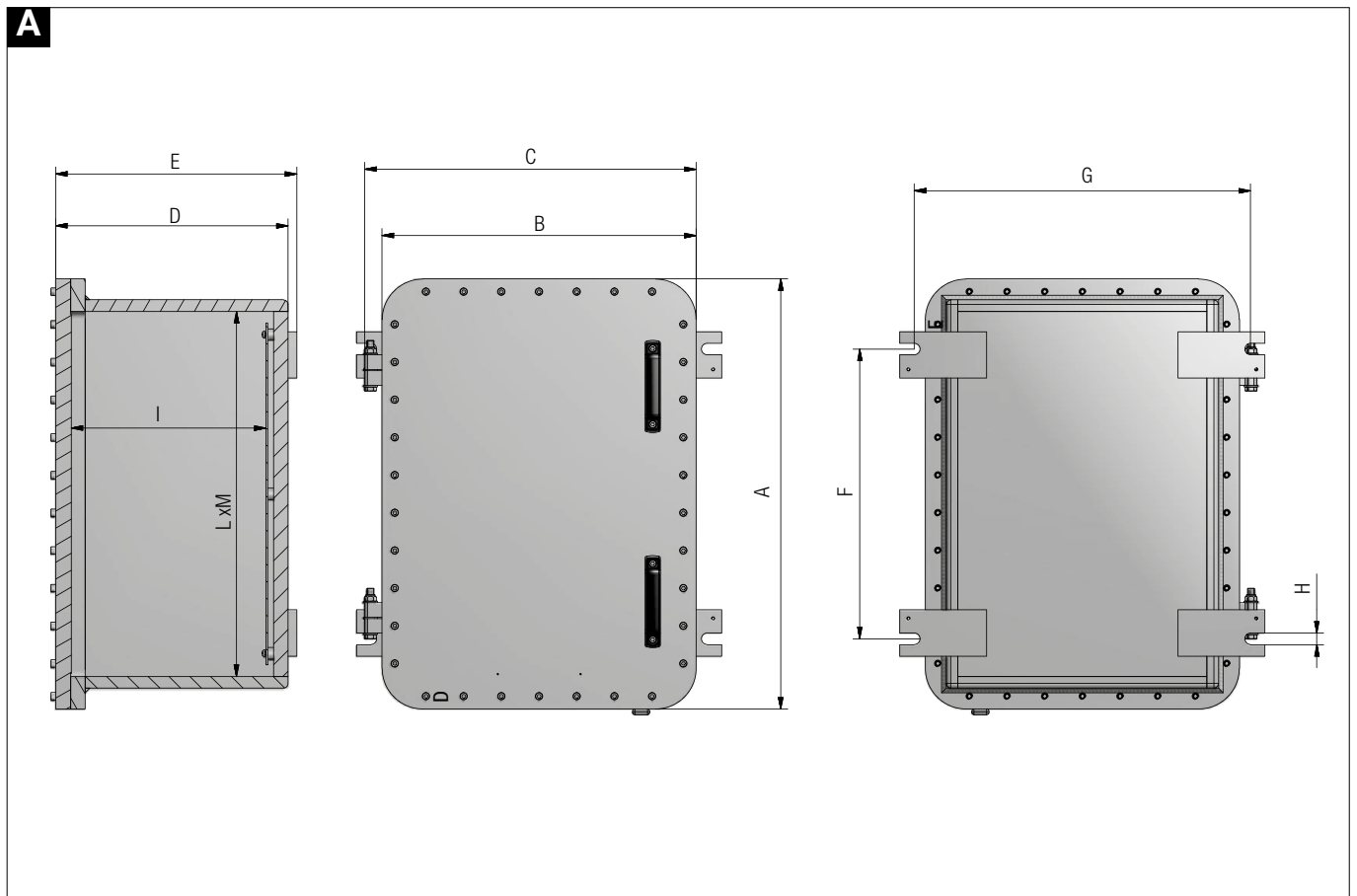
- External epoxy painting (any colours)
- Internal anticondensate painting orange RAL-2004
- O-Ring gaskets on cover
- Glass windows on cover
- Drain and breather valves



**Technical Features**

CODICE	A [mm]	B [mm]	C [mm]	D [mm]	E [mm]	F [mm]	G [mm]	H [mm]	I [mm]	L [mm]	M [mm]	INT. PLATE X - Y [mm]	WEIGHT [Kg]	DETAIL
EJB11X	175	175	197	122	132	78	171	11	90	113	113	100 - 100	11,00	A
EJB21X	284	245	267	169	179	160	241	11	121	216	176	180 - 140	32,00	A
EJB22X	300	200	221	222	232	195	186	11	174	229	129	180 - 100	38,00	A
EJB23X	310	260	281	197	207	195	251	11	152	245	195	200 - 160	40,00	A
EJB30X	415	315	337	164	174	294	299	11	113	345	245	300 - 200	53,00	A
EJB31X	415	315	337	246	256	294	299	11	195	345	245	300 - 200	62,00	A
EJB51X	566	366	388	256	268	360	337	13	200	487	287	450 - 250	110,00	A
EJB61X	670	470	491	361	373	500	443	13	307	580	380	530 - 330	152,00	A
EJB63X	670	470	491	236	248	500	443	13	182	580	380	530 - 330	140,00	A
EJB71X	742	542	572	429	439	520	580	16	331	632	432	590 - 390	280,00	A
EJB73X	742	542	572	311	321	520	580	16	213	632	432	590 - 390	200,00	A
EJB91X	960	660	697	462	472	700	650	16	350	825	525	750 - 440	618,00	A
EJB93X	960	660	697	305	315	700	650	16	193	825	525	750 - 440	573,00	A

**Reference details**



**Indicative quantity of terminals and relevant section**

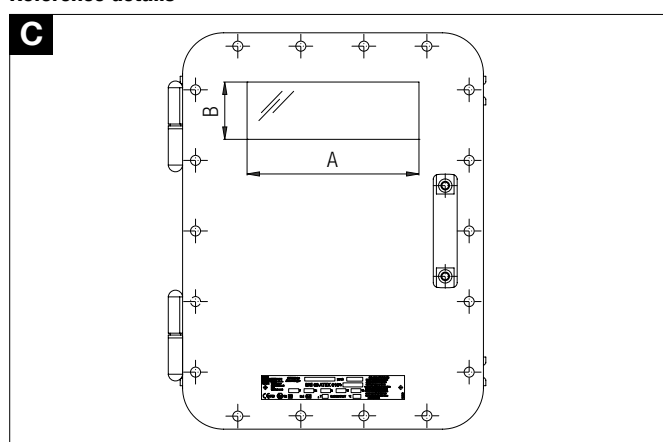
CODE	SEZ. 2,5 [sq/mm]	SEZ. 6,0 [sq/mm]	SEZ. 10,0 [sq/mm]	SEZ. 16,0 [sq/mm]	SEZ. 35,0 [sq/mm]	SEZ. 50,0 [sq/mm]	SEZ. 70,0 [sq/mm]	SEZ. 240,0 [sq/mm]	INT. PLATE X - Y [mm]
EJB11X	12 x 1	8 x 1	6 x 1	4 x 1	2 x 1	-	-	-	100 - 100
EJB21X	30 x 1	20 x 1	14 x 1	12 x 1	9 x 1	7 x 1	5 x 1	1 x 1	180 - 140
EJB22X	30 x 1	20 x 1	14 x 1	12 x 1	9 x 1	7 x 1	5 x 1	1 x 1	180 - 100
EJB23X	35 x 1	22 x 1	16 x 1	14 x 1	11 x 1	9 x 1	7 x 1	2 x 1	200 - 160
EJB30X	52 x 2	32 x 2	24 x 2	20 x 2	14 x 2	12 x 1	8 x 1	4 x 1	300 - 200
EJB31X	52 x 2	32 x 2	24 x 2	20 x 2	14 x 2	12 x 1	8 x 1	4 x 1	300 - 200
EJB51X	80 x 2	46 x 2	36 x 2	30 x 2	22 x 2	18 x 2	16 x 1	6 x 1	450 - 250
EJB61X/63X	92 x 3	58 x 3	46 x 3	38 x 3	28 x 3	26 x 2	22 x 2	12 x 1	530 - 330
EJB71X/73X	110 x 3	70 x 3	56 x 3	46 x 3	34 x 3	28 x 2	24 x 2	12 x 1	590 - 390
EJB91X/93X	140 x 3	90 x 3	70 x 3	60 x 3	44 x 3	36 x 3	32 x 2	14 x 2	750 - 440



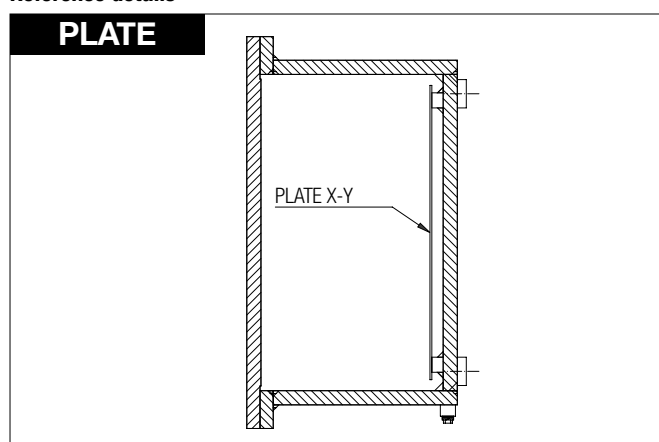
**Glass Windows on Cover**

WINDOW CODE	WINDOW TYPE	ENCLOSURE CODE									DIMENSIONS		DETAIL
		EJB11X	EJB21X	EJB22X	EJB23X	EJB30/31X	EJB51X	EJB61/63X	EJB71/73X	EJB91/93X	A [mm]	B [mm]	
KITF1ST	F1	X	X	X	X	X	X	X	X	X	60	60	C
KITF2ST	F2	-	X	X	X	X	X	X	X	X	75	75	C
KITF3ST	F3	-	X	X	X	X	X	X	X	X	110	75	C
KITF4ST	F4	-	X	X	X	X	X	X	X	-	150	75	C
KITF5ST	F5	-	-	-	-	X	X	X	-	-	150	150	C
KITF6ST	F6	-	-	-	-	X	X	X	-	-	300	75	C
KITF7ST	F7	-	-	-	-	X	X	X	-	-	300	150	C
KITF8X	F8	-	-	-	-	-	-	X	-	-	300	300	C
KITF9X	F9	-	-	-	-	-	-	X	-	-	450	300	C

**Reference details**



**Reference details**

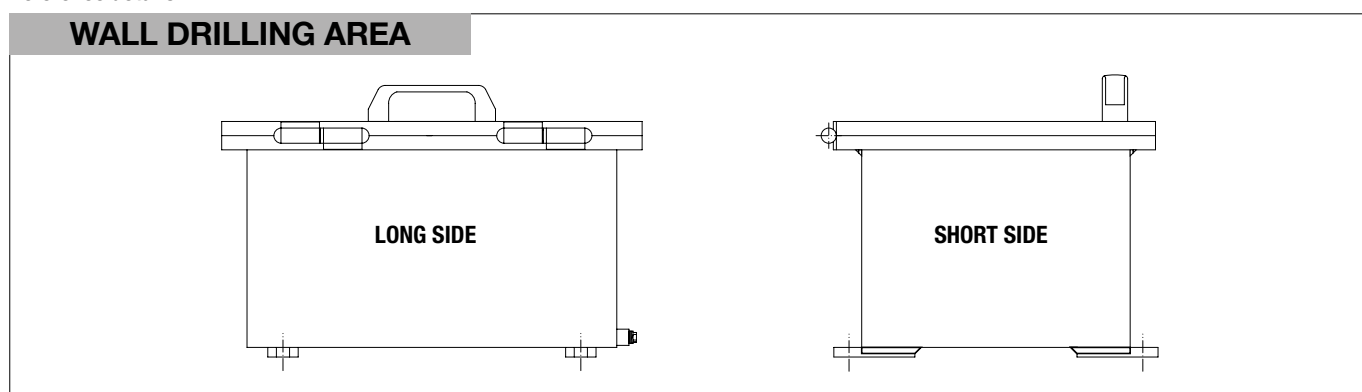


**Body and cover enclosures indicative maximum quantity of holes of the same size**

ENCLOSURE CODE	DRILLING AREA LONG SIDE							
	QUANTITY ALLOWED ENTRIES FOR SIZE (from 1 to size 8)							
	1	2	3	4	5	6	7	8
EJB11X	3	2	2	1	1	-	-	-
EJB21X	10	7	5	3	2	2	1	-
EJB22X	15	11	8	6	6	3	2	1
EJB23X	11	8	6	4	3	3	2	1
EJB30X	13	7	5	5	4	3	-	-
EJB31X	28	18	14	11	8	6	3	2
EJB51X	44	27	24	20	12	10	6	3
EJB61X	72	50	36	32	21	21	14	8
EJB63X	36	29	18	16	14	7	5	4
EJB71X	90	55	46	39	32	21	15	10
EJB73X	40	26	22	18	14	12	7	4
EJB91X	112	84	65	55	40	28	23	14
EJB93X	48	42	29	22	10	11	9	5

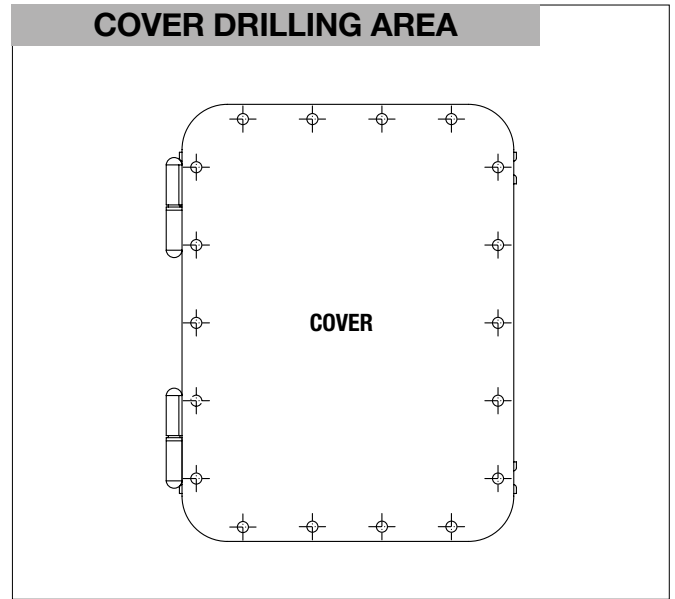
ENCLOSURE CODE	DRILLING AREA SHORT SIDE							
	QUANTITY ALLOWED ENTRIES FOR SIZE (from 1 to size 8)							
	1	2	3	4	5	6	7	8
EJB11X	3	2	2	1	1	-	-	-
EJB21X	8	5	4	3	2	1	1	-
EJB22X	9	5	5	4	2	1	1	1
EJB23X	9	6	6	5	2	2	1	1
EJB30X	9	5	4	3	3	2	-	-
EJB31X	20	12	9	8	6	5	2	1
EJB51X	24	15	12	11	6	6	3	2
EJB61X	48	30	24	20	12	12	8	6
EJB63X	24	17	12	10	8	4	3	3
EJB71X	59	35	28	25	21	12	10	6
EJB73X	26	18	14	12	8	11	4	2
EJB91X	70	42	35	35	24	18	13	8
EJB93X	30	24	21	14	12	7	5	3

**Reference details**



**Max allowed q.ty of push button and pilot light**

COVER DRILLING AREA	
ENCLOSURE CODE	MAX OPERATORS PERMITTED
EJB11X	4
EJB21X	12
EJB22X	12
EJB23X	16
EJB30X	30
EJB31X	30
EJB51X	54
EJB61X	56
EJB63X	56
EJB71X	48
EJB73X	48
EJB91X	54
EJB93X	54



**Threads comparation table**

SIZE	EN10226-2	ISO 228-1	B1.20.1	ISO 262
0	R-Rc 1/8"	G 1/8"	1/8" NPT	M10
1	R-Rc 1/2"	G 1/2"	1/2" NPT	M20
2	R-Rc 3/4"	G 3/4"	3/4" NPT	M25
3	R-Rc 1"	G 1"	1" NPT	M32
4	R-Rc 1-1/4"	G 1-1/4"	1-1/4" NPT	M40
5	R-Rc 1-1/2"	G 1-1/2"	1-1/2" NPT	M50
6	R-Rc 2"	G 2"	2" NPT	M63
7	R-Rc 2-1/2"	G 2-1/2"	2-1/2" NPT	M75
8	R-Rc 3"	G 3"	3" NPT	M85
9	-	G 3-1/2"	3-1/2" NPT	M100
10	R-Rc 4"	G 4"	4" NPT	M115

**REMARK:**

Due to the development of the national and international specifications and of the technology, the above technical characteristics showed on this bulletin can be considered as binding on our confirmation only.



**Installation:** hazardous areas - Zone 1 / 2 (Gases) - Zone 21 / 22 (Dusts)  
**Classification:** Group II - Category 2G 2D



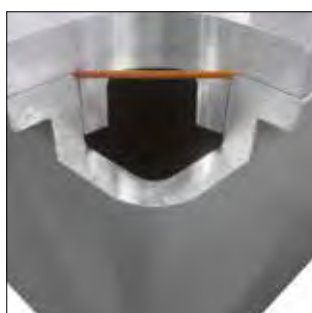
**REFERENCE STANDARDS**

**Directive 2014/34/EU**

EXECUTION	<ul style="list-style-type: none"> <li>⊗ II 2 G Ex db IIC T6...T3</li> <li>⊗ II 2 G Ex db [ja/ib/ic IIA or IIB or IIC Ga/Gc] IIC T6...T3</li> <li>⊗ II 2 D Ex tb IIC T85°C...T200°C</li> <li>⊗ II 2 D Ex tb [ja Da/ib/ic Dc] IIC T85°C...T200°C</li> </ul>
RULES OF COMPLIANCE	EN/IEC 60079-0; EN/IEC 60079-1; EN/IEC 60079-11; EN/IEC 60079-31
EC Type-Examination Certificate	INERIS 13 ATEX 0059X
PROTECTION DEGREE	IP66
AMBIENT TEMPERATURE	-60°C ÷ +60°C
OTHER AVAILABLE CERTIFICATES	Component: INERIS 13 ATEX 9023U IECEx: IECEx INE 13.0080X IECEx (Component): IECEx INE 13.0081U INMETRO: CEPEL 12.2136 EAC: TC RU C-IT.ГБ08.B.01468 (-60°C ÷ +60°C) RUSSIAN MARINE CERTIFICATE (RMRS): 19.02549.280 CCOE-PESO: P405708/9

**Mechanical characteristics**

Body/cover	marine grade copper free aluminium light alloy
Screws	stainless steel
Internal mounting plate	hot dip galvanized steel
Fixing	fixing lugs al uni 4514
Opening handle	insulating material fixed on cover by stainless steel screws
Valves	Drain and breather stainless steel AISI-316L



**On Request Accessories:**

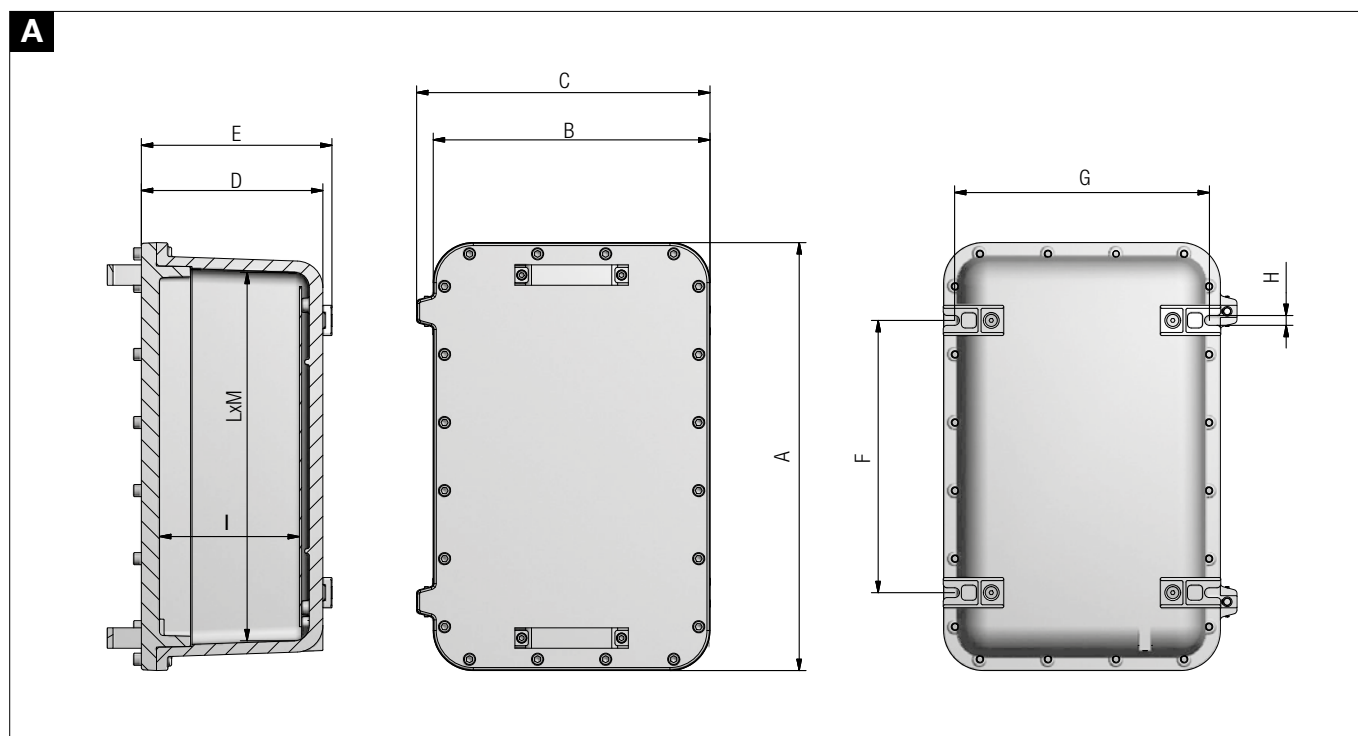
- External epoxy painting (any colours)
- Internal anticondensate painting orange RAL-2004
- O-Ring gaskets on cover
- Glass windows on cover



**Technical Features**

CODE	A [mm]	B [mm]	C [mm]	D [mm]	E [mm]	F [mm]	G [mm]	H [mm]	I [mm]	L [mm]	M [mm]	INT. PLATE X-Y [mm]	WEIGHT [Kg]	DETAIL
EJC21	285	245	267	161	171	160	241	11	113	216	176	180 x 140	12,00	A
EJC30	415	315	338	146	156	294	285	11	94	344	244	300 x 200	21,00	A
EJC31	415	315	338	228	238	294	285	11	176	344	244	300 x 200	25,00	A
EJC51	566	366	388	240	252	360	337	13	185	487	287	450 x 250	40,00	A
EJC61	668	468	490	343	355	500	443	13	277	580	380	530 x 330	80,00	A
EJC63	668	468	490	217	229	500	443	13	151	580	380	530 x 330	66,00	A

**Reference details**

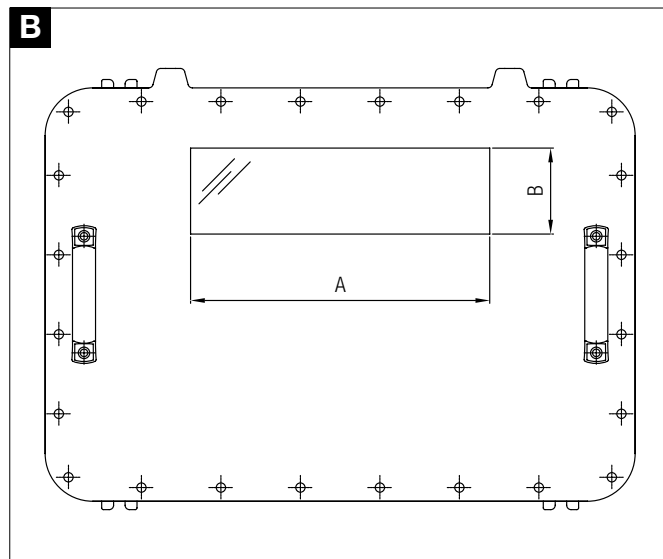


**Glass windows on cover**

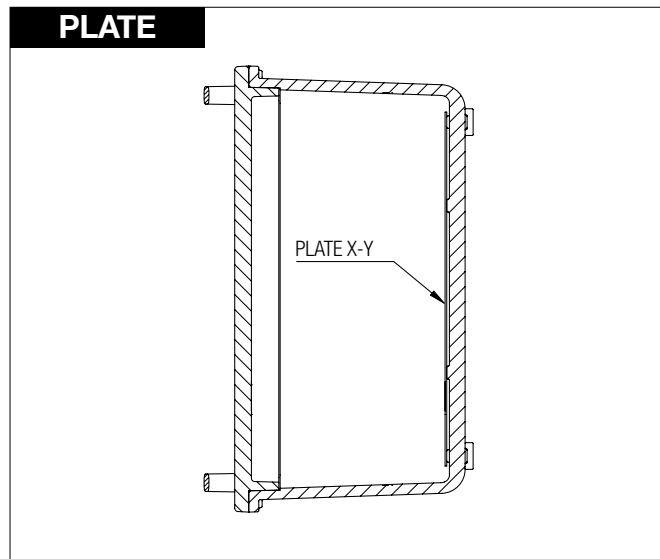
WINDOW CODE	WINDOW TYPE	ENCLOSURE CODE				WINDOW DIMENSIONS		DETAIL
		EJC-21	EJC-30/31	EJC-51	EJC-61/63	A [mm]	B [mm]	
KITF1ST	F1	X	X	X	X	60	60	B
KITF2ST	F2	X	X	X	X	75	75	B
KITF3ST	F3	X	X	X	X	110	75	B
KITF4ST	F4	X	X	X	X	150	75	B
KITF5ST	F5	-	X	X	X	150	150	B
KITF6ST	F6	-	-	X	X	300	75	B
KITF7ST	F7	-	-	X	X	300	150	B



Reference details

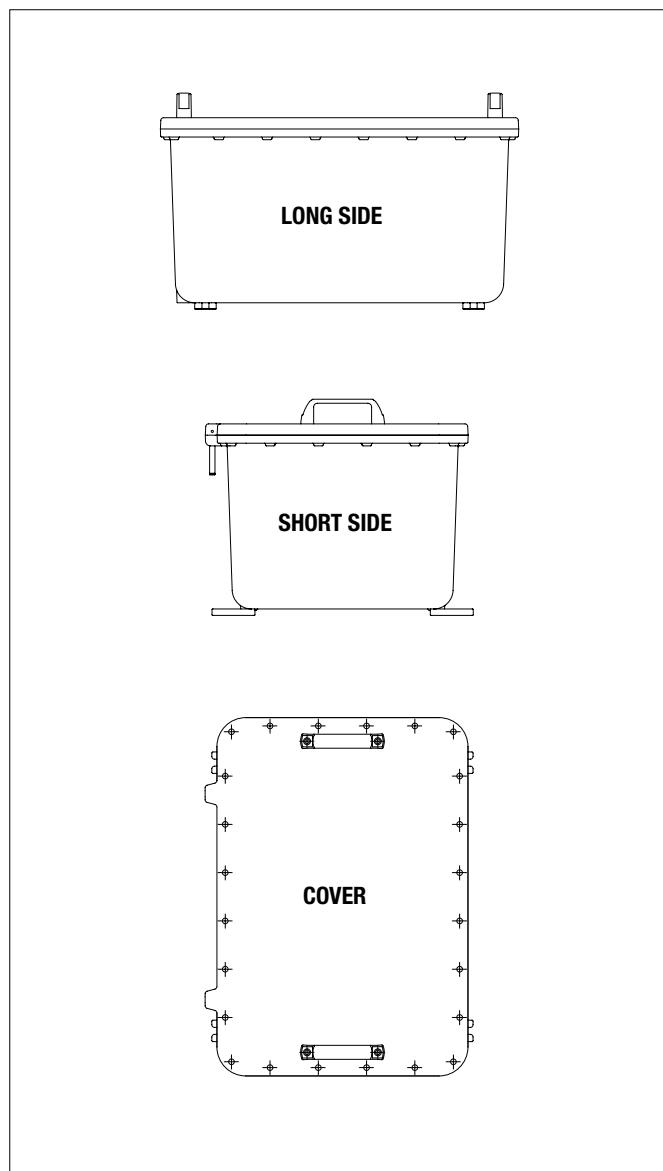


Reference details



Body and cover enclosures indicative maximum quantity of holes of the same size

Reference details



DRILLING AREA LONG SIDE								
ENCLOSURE CODE	QUANTITY ALLOWED ENTRIES FOR SIZE (from 1 to size 8)							
	1	2	3	4	5	6	7	8
EJC21	8	4	3	3	2	2	2	/
EJC30	7	6	5	5	/	/	/	/
EJC31	21	18	14	11	8	6	3	2
EJC51	33	26	16	14	12	7	4	3
EJC61	60	40	27	24	14	14	10	8
EJC63	35	20	18	15	10	7	5	4

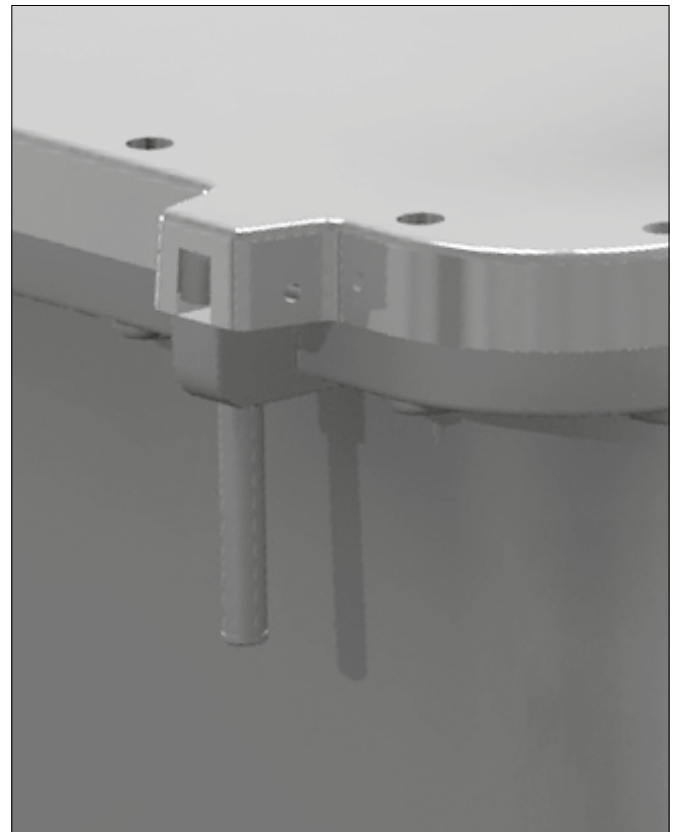
DRILLING AREA SHORT SIDE								
ENCLOSURE CODE	QUANTITY ALLOWED ENTRIES FOR SIZE (from 1 to size 8)							
	1	2	3	4	5	6	7	8
EJC21	6	3	3	2	2	1	1	/
EJC30	5	4	4	3	/	/	/	/
EJC31	15	12	9	8	6	4	2	1
EJC51	18	14	8	8	6	4	2	2
EJC61	40	24	18	15	8	8	6	6
EJC63	23	12	12	9	6	4	3	3

COVER DRILLING AREA	
ENCLOSURE CODE	MAX OPERATORS PERMITTED
EJC21	12
EJC30	30
EJC31	30
EJC51	54
EJC61	56
EJC63	56

**Indicative quantity of terminals and relevant section**

CODE	SECT. 2,5 [sq/mm]	SECT. 6,0 [sq/mm]	SECT. 10,0 [sq/mm]	SECT. 16,0 [sq/mm]	SECT.35,0 [sq/mm]	SECT. 50,0 [sq/mm]	SECT. 70,0 [sq/mm]	SECT. 240,0 [sq/mm]	INT. PLATE X - Y [mm]
	EJC21	30 x 1	20 x 1	14 x 1	12 x 1	8 x 1	6 x 1	2 x 1	1 x 1
EJC30	52 x 2	32 x 2	24 x 2	20 x 2	14 x 2	12 x 1	8 x 1	4 x 1	300 x 200
EJC31	52 x 2	32 x 2	24 x 2	20 x 2	14 x 2	12 x 1	8 x 1	4 x 1	300 x 200
EJC51	80 x 2	46 x 2	36 x 2	30 x 2	22 x 2	18 x 2	16 x 1	6 x 1	450 x 250
EJC61	92 x 3	58 x 3	46 x 3	38 x 3	28 x 3	26 x 2	22 x 2	12 x 1	530 x 330
EJC63	92 x 3	58 x 3	46 x 3	38 x 3	28 x 3	26 x 2	22 x 2	12 x 1	530 - 330

**Flamepath detail**



**REMARK:**

Due to the development of the national and international specifications and of the technology, the above technical characteristics showed on this bulletin can be considered as binding on our confirmation only.



**Installation:** hazardous areas - Zone 1 / 2 (Gases) - Zone 21 / 22 (Dusts)  
**Classification:** Group II - Category 2G 2D

Certificate  
NEMA Type 4X



**REFERENCE STANDARDS**

**TERMINAL BOARD / POWER UNITS CONTROL AND SIGNALLING UNITS**

**NEC - NEMA 4, 7, 9**

INSTALLATION	Class I - Groups B, C, e D Class II - Groups E, F, e G Class III
PROTECTION	4, 7 BCD, 9 EFG
PROTECTION DEGREE	IP66
AMBIENT TEMPERATURE	-20°C ÷ +40°C
CERTIFICATION AND COMPLIANCES	UL Standard 1203 - 4 <sup>o</sup> Ed. (15 Sett. 2006) Explosion-Proof / Dust-Ignition-Proof Electrical Equipment for Use in Hazardous (Classified) Locations

**Directive 2014/34/EU**

EXECUTION	(⊕) II 2 G) Ex db IIA or IIB+H2 T6...T3 (⊕) II 2 G) Ex db [ia/ib IIA or IIB or IIC Ga] IIA or IIB or IIB+H2 T6 (⊕) II 2 D) Ex tb IIIC T85°C...T200°C (⊕) II 2 D) Ex tb [ia Da/ib] IIIC T85°C
RULES OF COMPLIANCE	EN/IEC 60079-0; EN/IEC 60079-1; EN/IEC 60079-11; EN/IEC 60079-31
EC Type-Examination Certificate	INERIS 13 ATEX 0058X
PROTECTION DEGREE	IP66
AMBIENT TEMPERATURE	-60°C ÷ +80°C
OTHER AVAILABLE CERTIFICATES	IECEx: IECEx INE 13_0078X NEC 505: UL 20141125-E344596 - Type rating NEMA 1, 12, 4 and 4X

**Mechanical characteristics**

Body and cover	marine grade copper free aluminium light alloy
Screws	stainless steel - internal / external
Internal plate	hot dip galvanized steel / aluminium
Fixing	galvanized steel stirrups th.10mm
Gaskets	O-RING silicon rubber on cover



**On Request Accessories:**

- External epoxy painting (any colours)
- Internal anticondensate painting orange RAL-2004
- O-Ring gaskets on cover
- Drain and breather valves
- Stainless steel AISI-316L hinges

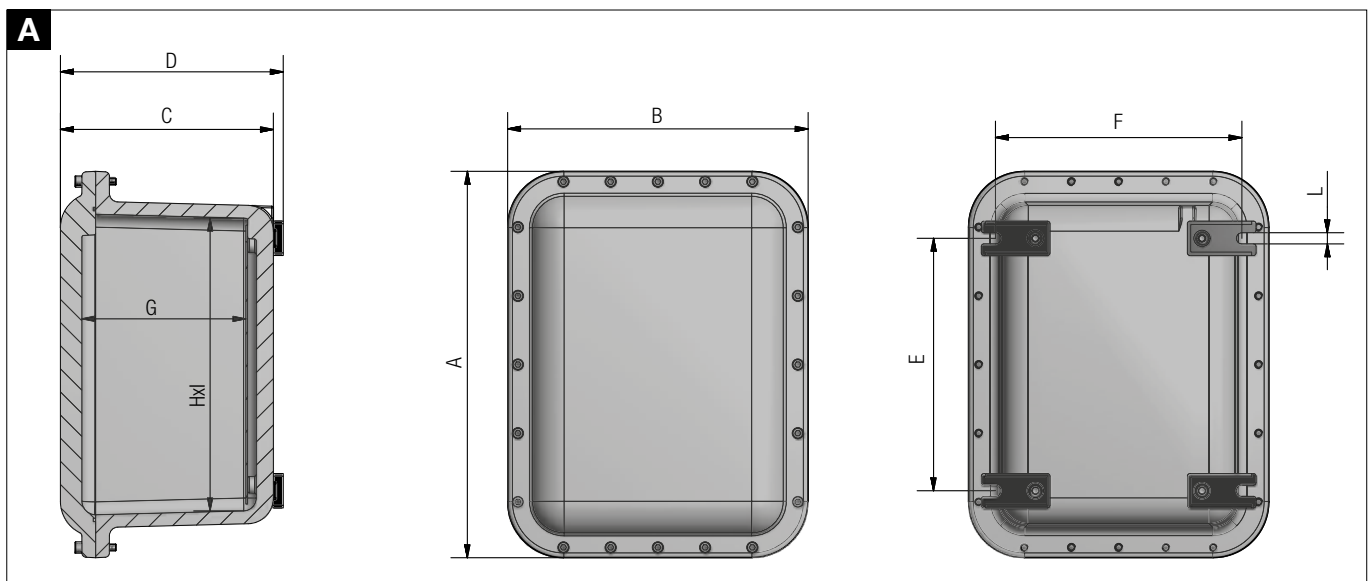


Technical Features

CODE	A [mm]	B [mm]	C [mm]	D [mm]	E [mm]	F [mm]	G [mm]	H [mm]	I [mm]	L [mm]	INT. PLATE X-Y [mm]	WEIGHT [Kg]	DETAIL
EJB21-UL	320	280	177	189	180	233	121	214	174	13	180 - 140	13,50	A
EJB31-UL	450	350	248	260	294	287	191	341	241	13	325 - 225	27,00	A
EJB51-UL	600	400	266	278	360	333	195	481	281	13	460 - 260	52,50	A
EJB61-UL	710	500	389	397	500	460	277	566	356	12	560 - 360	114,00	A
EJB63-UL	710	500	259	267	500	460	147	571	362	12	560 - 360	92,00	A

CODE	A [Inch]	B [Inch]	C [Inch]	D [Inch]	E [Inch]	F [Inch]	G [Inch]	H [Inch]	I [Inch]	L [Inch]	INT. PLATE X-Y [Inch]	LIBRE [Lbs]	DETAIL
EJB21-UL	12,60	11,10	7,00	7,50	7,10	9,20	4,80	8,50	6,90	0,60	7.10 - 5.60	31,00	A
EJB31-UL	17,80	13,80	9,80	10,30	11,60	11,30	7,60	13,50	9,50	0,60	12.80 - 8.90	62,00	A
EJB51-UL	23,70	15,80	10,50	11,00	14,20	13,20	7,70	19,00	11,10	0,60	18.20 - 10.30	121,00	A
EJB61-UL	28,00	19,70	15,40	15,70	19,70	18,20	11,00	22,30	14,10	0,50	22.10 - 14.20	262,00	A
EJB63-UL	28,00	19,70	10,20	10,60	19,70	18,20	5,80	22,50	14,30	0,50	22.10 - 14.20	212,00	A

Reference details



Body enclosures drilling layout

ENCLOSURE CODE	AREA FOR ENTRY INSTALLATION (LONG WALL SIDES)				AREA FOR ENTRY INSTALLATION (SHORT WALL SIDES)			
	A [mm]	B [mm]	A [inch.]	B [inch.]	C [mm]	D [mm]	C [inch.]	D [inch.]
EJB21-UL	190	80	7,50	3,20	150	80	6,00	3,20
EJB31-UL	320	140	12,60	5,60	230	140	9,10	5,60
EJB51-UL	450	120	17,80	4,80	250	120	9,90	4,80
EJB61-UL	550	260	21,70	10,30	350	260	13,80	10,30
EJB63-UL	550	150	21,70	6,00	350	150	13,80	6,00

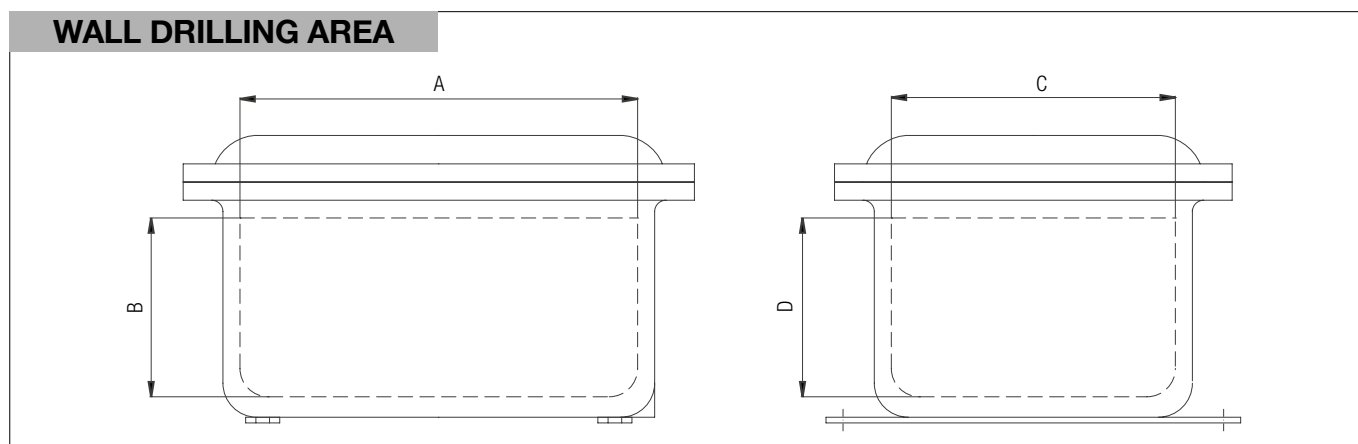




**Body enclosures minimum distance between wall entries**

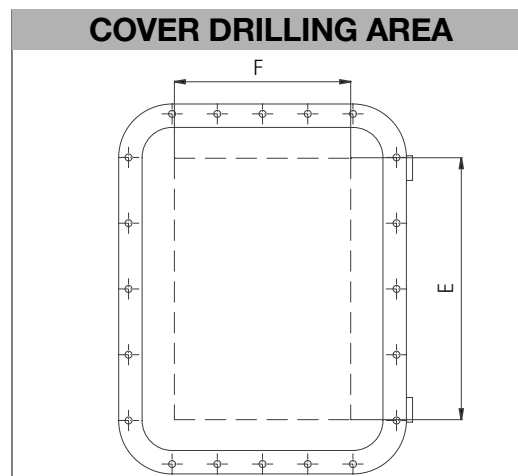
MINIMUM DISTANCE BETWEEN WALL ENTRIES (CENTER TO CENTER)									
1st ROW [mm] - 2nd ROW [inch.]									
4"	-	-	-	-	-	-	-	-	139
-	-	-	-	-	-	-	-	-	(5.47)
3"	-	-	-	-	-	-	-	115	126
M90	-	-	-	-	-	-	-	(4.53)	(4.96)
2 1/2"	-	-	-	-	-	-	101	108	120
M75	-	-	-	-	-	-	(3.98)	(4.25)	(4.72)
2"	-	-	-	-	-	88	94	102	112
M63	-	-	-	-	-	(3.46)	(3.70)	(4.02)	(4.41)
1 1/2"	-	-	-	-	75	82	88	95	106
M50	-	-	-	-	(2.95)	(3.23)	(3.46)	(3.74)	(4.17)
1 1/4"	-	-	-	67	70	77	84	91	103
M40	-	-	-	(2.64)	(2.76)	(3.03)	(3.31)	(3.58)	(4.06)
1"	-	-	58	63	66	73	80	86	99
M32	-	-	(2.28)	(2.48)	(2.60)	(2.87)	(3.15)	(3.39)	(3.90)
3/4"	-	52	55	59	63	69	79	83	95
M25	-	(2.05)	(2.17)	(2.32)	(2.48)	(2.72)	(2.99)	(3.27)	(3.74)
1/2"	46	49	52	57	60	67	73	80	93
M20	(1.81)	(1.93)	(2.05)	(2.24)	(2.36)	(2.64)	(2.87)	(3.15)	(3.66)
NPT	1/2"	3/4"	1"	1 1/4"	1 1/2"	2"	2 1/2"	3"	4"
Metric	M20	M25	M32	M40	M50	M63	M75	M90	-

**Reference details**



**Cover enclosures drilling layout**

ENCLOSURE CODE	AREA FOR OPERATORS INSTALLATION ENCLOSURE COVER				MINIMUM DISTANCE BETWEEN OPENINGS (CENTER TO CENTER)	
	E [mm]	F [mm]	E [inch.]	F [inch.]	[mm]	[inch.]
EJB21-UL	200	150	7,90	6,00	50	2,00
EJB31-UL	300	200	11,90	7,90	50	2,00
EJB51-UL	460	260	18,20	10,30	50	2,00
EJB61-UL	570	370	22,50	14,60	50	2,00
EJB63-UL	570	370	22,50	14,60	50	2,00



**Indicative quantity of terminals and relevant section**

CODE	SEZ. 2,5 [sq/mm]	SEZ. 6,0 [sq/mm]	SEZ. 10,0 [sq/mm]	SEZ. 16,0 [sq/mm]	SEZ. 35,0 [sq/mm]	SEZ. 50,0 [sq/mm]	SEZ. 70,0 [sq/mm]	SEZ. 240,0 [sq/mm]	INT. PLATE X - Y	
									[mm]	[inch.]
EJB21-UL	30 x 1	20 x 1	14 x 1	12 x 1	8 x 1	6 x 1	2 x 1	1 x 1	180 -140	7.10 - 5.60
EJB31-UL	52 x 2	32 x 2	24 x 2	20 x 2	14 x 2	12 x 1	8 x 1	4 x 1	325 -225	12.80 - 8.90
EJB51-UL	80 x 2	46 x 2	36 x 2	30 x 2	22 x 2	18 x 2	16 x 1	6 x 1	460 -260	18.20 - 10.30
EJB61-UL	92 x 3	58 x 3	46 x 3	38 x 3	28 x 3	26 x 2	22 x 2	12 x 1	560 -350	22.10 - 14.20
EJB63-UL	92 x 3	58 x 3	46 x 3	38 x 3	28 x 3	26 x 2	22 x 2	12 x 1	560 -350	22.10 - 14.20

**Additional Technical features for NEC 500 only**

**PRODUCT COVERED**

Explosion-proof enclosures for use in Hazardous Locations, Class I, Groups B, C, and D; Class II, Groups E, F, and G; Class III. These enclosures are Classified as to explosion and fire hazards only in according to Standard UL1203 4<sup>th</sup> ed. The explosion-proof enclosures are suitable for Class I, Group B Hazardous Locations only when provided with from M20 to M90, 1/2 in. to 3 in., supply connection openings. If other supply connection openings are provided, then the enclosures are suitable for Class I, Groups C & D Hazardous Locations only. The 1/2 in. NPSM operator openings are only suitable for enclosures marked for Class I, Groups B, C & D Hazardous Locations. The enclosures covered by this Certification may have electrical components installed inside. The installation of electrical components shall not reduce the mechanical integrity of the enclosures. The enclosures may or may not be provided with hinges for service of the enclosures only.

**PROTECTION AGAINST CORROSION**

All ferrous-metal other than stainless steel shall be protected against corrosion, except at joint surfaces and conduit threads. There shall be no materials applied to joint surfaces.

**GROUNDING**

Internal Ground Screw – Hexagon head screw M6 x 10 with a stainless steel flat and lock washer provided on the base of the enclosure body. External Ground – Terminal colored green, marked with the letter or word “G”, “GROUND”, or marked with a grounding symbol.

**SUPPLY CONNECTIONS**

NPT and Metric Supply Connections - The side walls of the enclosure are provided with conduit openings or none may be supplied, in which case field drilling and tapping instructions are provided with each enclosure. The entry is drilled and tapped completely through the enclosure wall, and the inside edge is smoothed and well-rounded such that the conductor insulation will not be damaged when installed. All unused openings are closed with plated steel, plated cast iron or aluminum close-up plugs which are threaded to match the opening. Closer-up Plugs have to be Listed for the same Class, Group and Division as marked on Enclosure nameplate.

**OPERATOR OPENINGS**

The cover of the enclosure may be provided with operator openings in the cover only and located only as given in drilling and tapping instructions provided with each Classified enclosure. All unused openings are closed with plated steel, plated cast iron or aluminum close-up plugs which are threaded to match the opening. Closer-up Plugs have to be Listed for the same Class, Group and Division as marked on Enclosure nameplate.

**REMARK:**

Due to the development of the national and international specifications and of the technology, the above technical characteristics showed on this bulletin can be considered as binding on our confirmation only.





**Installation:** hazardous areas - Zone 1 / 2 (Gases) - Zone 21 / 22 (Dusts)  
**Classification:** Group II - Category 2G 2D



**REFERENCE STANDARDS**

**Directive 2014/34/EU**

EXECUTION	<ul style="list-style-type: none"> <li>⊗ II 2 G Ex db IIC T6...T3</li> <li>⊗ II 2 G Ex db [ja/ib/ic IIA or IIB or IIC Ga/Gc] IIC T6...T3</li> <li>⊗ II 2 D Ex tb IIIC T85°C...T200°C</li> <li>⊗ II 2 D Ex tb [ia Da/ib/ic Dc] IIIC T85°C...T200°C</li> </ul>
RULES OF COMPLIANCE	EN/IEC 60079-0; EN/IEC 60079-1; EN/IEC 60079-11; EN/IEC 60079-31
EC Type-Examination Certificate	INERIS 13 ATEX 0057X
PROTECTION DEGREE	IP66
AMBIENT TEMPERATURE	-60°C ÷ +80°C
OTHER AVAILABLE CERTIFICATES	Component: INERIS 13 ATEX 9021U IECEx: IECEx INE 13.0076X Component: IECEx INE 13.0077U INMETRO: CEPTEL 12.2140 EAC: TC RU C-IT.ГБ08.B.01468 RINA: ELE137217CS005 RUSSIAN MARINE CERTIFICATE (RMRS): 19.02549.280  UL NEC-505: 20141126-E356725 - Type rating NEMA 1, 12, 4 and 4X (GUB series only, GUBW not included) KC: 16-KA4B0- (from 0111X to 0016X and 0243X) KC (component): 16-KA4B0- (from 0103U to 0109U)

**Mechanical characteristics**

Body	marine grade copper free aluminium light alloy
Cover	marine grade copper free aluminium light alloy
Screws	stainless steel
Internal plate	hot dip galvanized steel / aluminium
Fixing	fixing lugs AL UNI 4514 casting on enclosure body



**On Request Accessories:**

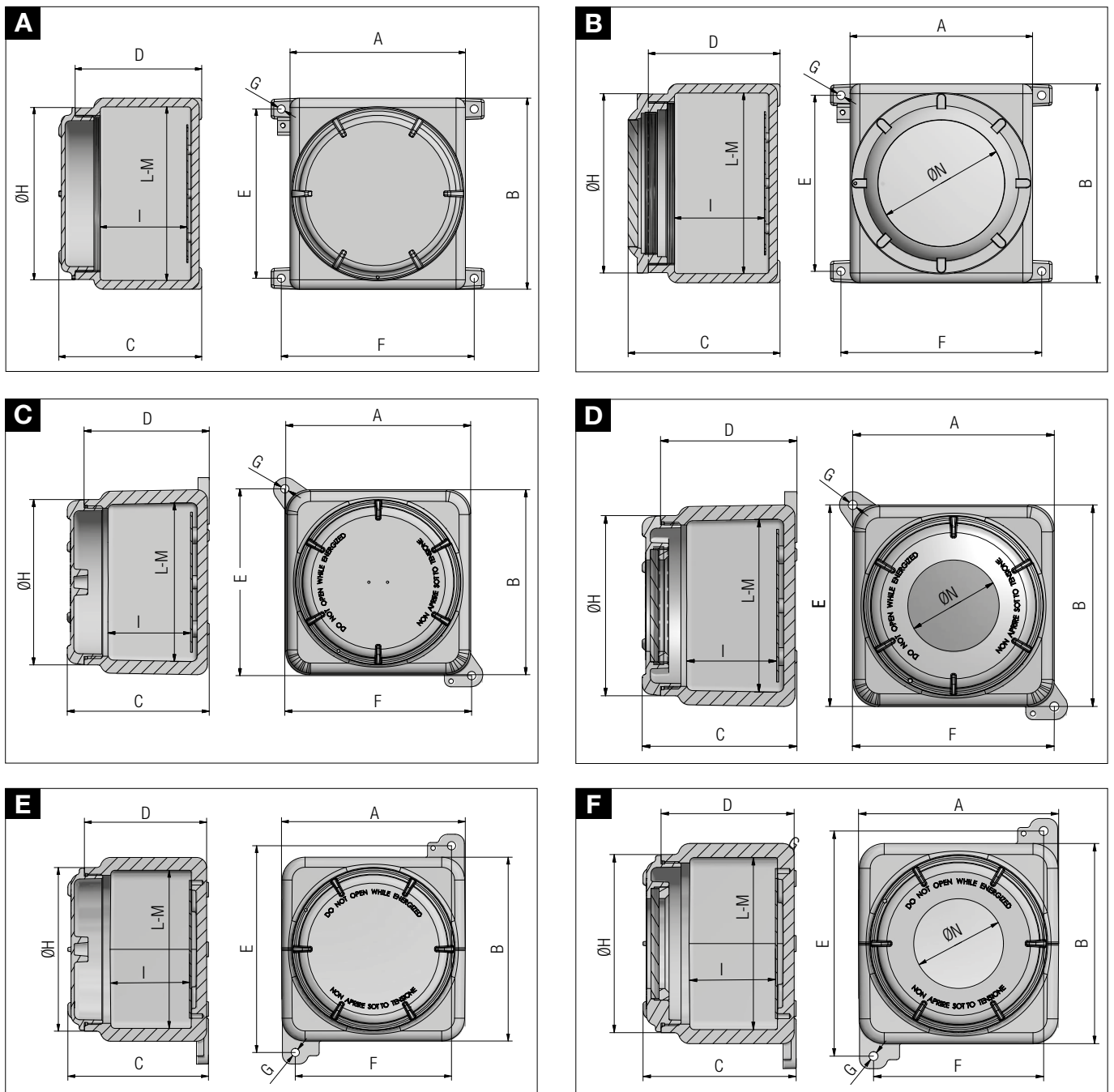
- External epoxy painting with colour on request
- Internal anticondensate painting orange RAL-2004
- O-Ring gaskets on cover
- Glass windows on cover
- Drain and breather valves
- Galvanized steel body & cover
- Cast iron body & cover



Technical Features

CODE	A [mm]	B [mm]	C [mm]	D [mm]	E [mm]	F [mm]	Ø G [mm]	H [mm]	I [mm]	L [mm]	M [mm]	Ø N [mm]	INT.PLATE X - Y [mm]	WEIGHT [Kg]	DETAIL
GUB00	135	135	111	96	110	150	7	113	50	110	110	-	-	2,00	C
GUB0	168	168	145	125	172	172	9	154	97	137	137	-	110 - 110	4,00	C
GUB1	200	200	153	133	225	170	9	178	86	172	172	-	150 - 150	5,00	E
GUB3	280	305	228	202	270	308	13	275	133	248	270	-	200 - 220	13,50	A
GUB23	310	270	175	153	235	335	12	244	100	243	283	-	180 - 180	9,80	A
GUB4	420	420	281	230	380	460	14	410	147	384	384	-	280 - 280	31,70	A
GUB5	600	600	382	313	545	460	14	580	208	550	550	-	490 - 490	105,60	A
GUBW1	200	200	153	133	225	170	9	178	86	172	172	90	150 - 150	5,10	F
GUBW3	280	305	228	202	270	308	13	275	133	248	270	195	200 - 220	14,20	B
GUBW23	310	270	175	153	235	335	12	244	100	243	283	150	180 - 180	10,30	B
GUBW4	420	420	281	230	380	460	14	410	147	384	384	230	280 - 280	30,00	B

Reference details



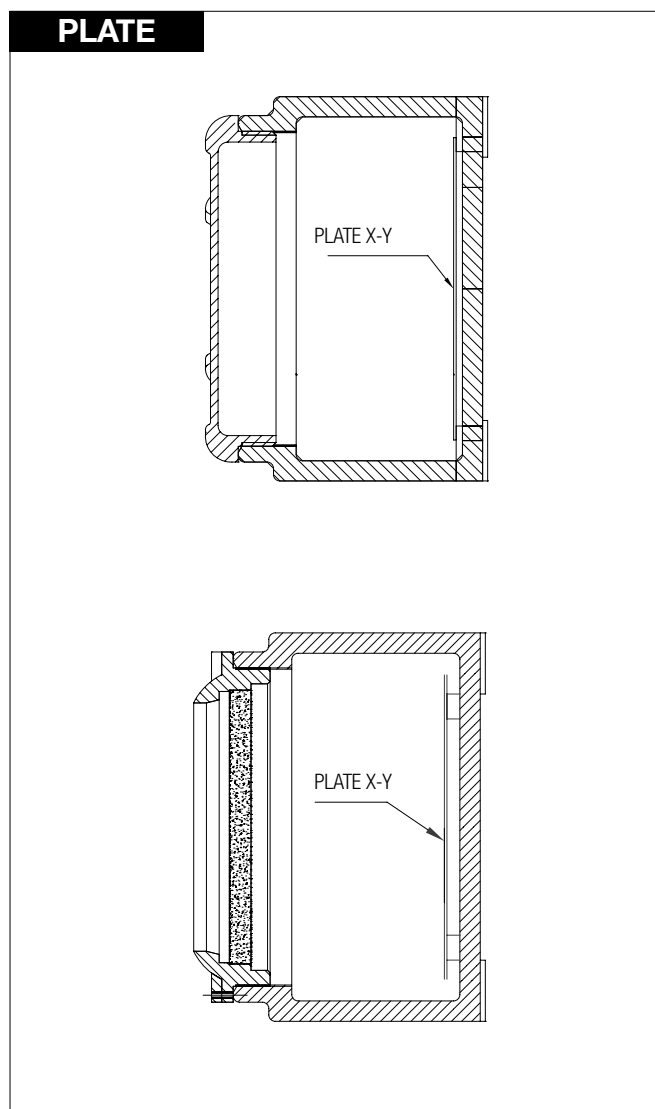
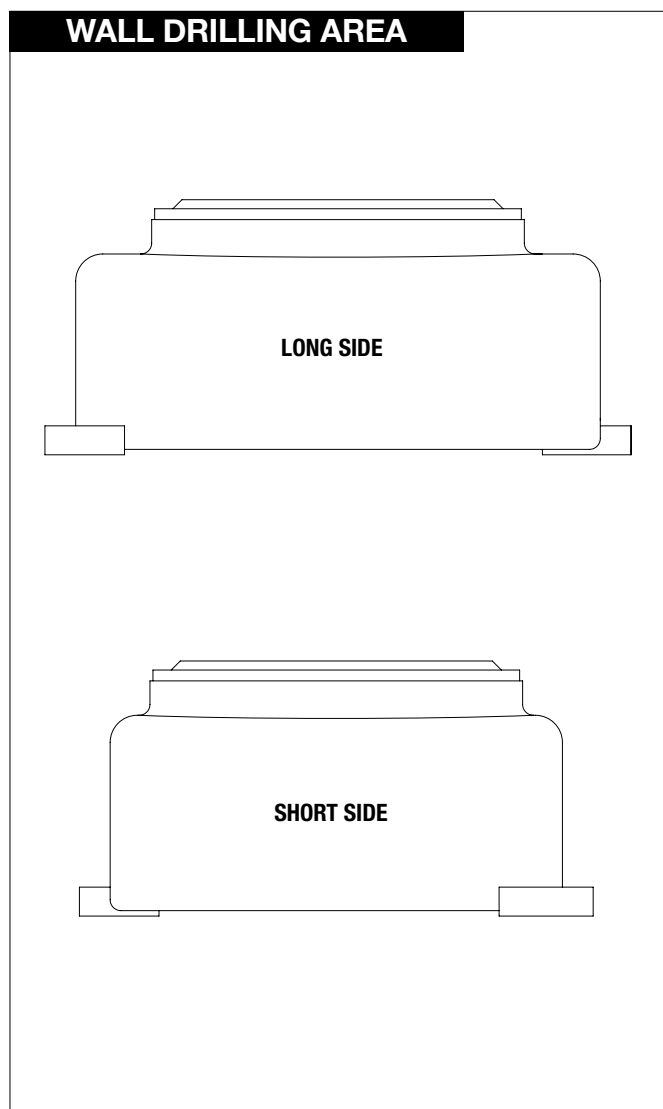


Body enclosures indicative maximum quantity of holes of the same size

ENCLOSURE CODE	DRILLING AREA LONG SIDE							
	QUANTITY ALLOWED ENTRIES FOR size (from 1 to size 8)							
	1	2	3	4	5	6	7	8
GUB00	2	1	1	1	/	/	/	/
GUB0	6	3	2	2	1	1	1	/
GUB1	6	3	3	2	2	1	1	/
GUB3	15	11	9	8	6	4	2	2
GUB23	11	10	8	6	4	3	2	/
GUB4	23	18	14	11	10	7	4	3
GUB5	45	36	27	24	18	12	6	3
GUBW1	6	3	3	2	2	1	1	/
GUBW3	15	11	9	8	6	4	2	2
GUBW23	11	10	8	6	4	3	2	/
GUBW4	23	18	14	11	10	7	4	3

ENCLOSURE CODE	DRILLING AREA SHORT SIDE							
	QUANTITY ALLOWED ENTRIES FOR size (from 1 to size 8)							
	1	2	3	4	5	6	7	8
GUB00	2	1	1	1	/	/	/	/
GUB0	6	3	2	2	1	1	1	/
GUB1	6	3	3	2	2	1	1	/
GUB3	12	9	8	6	6	3	2	2
GUB23	9	8	8	5	3	3	2	/
GUB4	23	18	14	11	10	7	4	3
GUB5	45	36	27	24	18	12	6	3
GUBW1	6	3	3	2	2	1	1	/
GUBW3	12	9	8	6	6	3	2	2
GUBW23	9	8	8	5	3	3	2	/
GUBW4	23	18	14	11	10	7	4	3

Reference details



**Indicative quantity of terminals and relevant section**

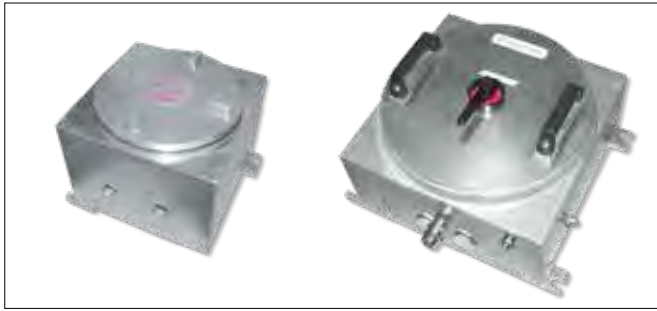
CODE ENCLOSURE	SECT. 2,5 [sq/mm]	SECT. 6,0 [sq/mm]	SECT. 10,0 [sq/mm]	SECT. 16,0 [sq/mm]	SECT. 35,0 [sq/mm]	SECT. 50,0 [sq/mm]	SECT. 70,0 [sq/mm]	SECT. 240,0 [sq/mm]	INT.PLATE X - Y [mm]
GUB00	8x1	4x1	4x1	2x1	2x1	/	/	/	Ø90
GUB0	12x1	6x1	6x1	4x1	4x1	2x1	1x1	/	110 - 110
GUB1	20x1	10x1	10x1	6x1	6x1	4x1	2x1	1x1	150 - 150
GUB3	34x1	20x1	18x1	14x1	10x1	8x1	6x1	4x1	220 - 200
GUB23	26x1	16x1	14x1	12x1	8x1	6x1	4x1	1x1	180 - 180
GUB4	48x2	28x2	24x2	20x2	12x2	10x2	8x1	4x1	280 - 280
GUB5	64x3	40x3	36x3	30x3	11x3	16x3	16x1	6x2	490 - 490
GUBW1	20x1	10x1	10x1	6x1	6x1	4x1	2x1	1x1	150 - 150
GUBW3	34x1	20x1	18x1	14x1	10x1	8x1	6x1	4x1	220 - 200
GUBW23	26x1	16x1	14x1	12x1	8x1	6x1	4x1	1x1	180 - 180
GUBW4	48x2	28x2	24x2	20x2	12x2	10x2	8x1	4x1	280 - 280

**Threads comparison table**

size	EN10226-2	ISO 228-1	B1.20.1	ISO 262
0	R-Rc 1/8"	G 1/8"	1/8" NPT	M10
1	R-Rc 1/2"	G 1/2"	1/2" NPT	M20
2	R-Rc 3/4"	G 3/4"	3/4" NPT	M25
3	R-Rc 1"	G 1"	1" NPT	M32
4	R-Rc 1-1/4"	G 1-1/4"	1-1/4" NPT	M40
5	R-Rc 1-1/2"	G 1-1/2"	1-1/2" NPT	M50
6	R-Rc 2"	G 2"	2" NPT	M63
7	R-Rc 2-1/2"	G 2-1/2"	2-1/2" NPT	M75
8	R-Rc 3"	G 3"	3" NPT	M85
9	-	G 3-1/2"	3-1/2" NPT	M100
10	R-Rc 4"	G 4"	4" NPT	-

**REMARK:**

Due to the development of the national and international specifications and of the technology, the above technical characteristics showed on this bulletin can be considered as binding on our confirmation only.



**Installation:** hazardous areas - Zone 1 / 2 (Gases) - Zone 21 / 22 (Dusts)  
**Classification:** Group II - Category 2G 2D



**REFERENCE STANDARDS**

**Directive 2014/34/EU**

EXECUTION	⊗ II 2 G Ex db IIC T6...T3
	⊗ II 2 G Ex db [ja/ib/ic IIA or IIB or IIC Ga/Gc] IIC T6...T3
RULES OF COMPLIANCE	⊗ II 2 D Ex tb IIIC T85°C...T200°C
	⊗ II 2 D Ex tb [ia Da/ib/ic Dc] IIIC T85°C...T200°C
PROTECTION DEGREE	IP66
AMBIENT TEMPERATURE	-60°C ÷ +80°C
OTHER AVAILABLE CERTIFICATES	Component: INERIS 13 ATEX 9021U IECEX: IECEX INE 13.0076X Component: IECEX INE 13.0077U INMETRO: CEPEL 12.2140 EAC: TC RU C-IT.ГБ08.B.01468 RINA: ELE137217CS005 RUSSIAN MARINE CERTIFICATE (RMRS): 19.02549.280  UL NEC-505: 20141126-E356725 - Type rating NEMA 1, 12, 4 and 4X (GUBX series only, GUBXW not included)  KC: 16-KA4B0-(from 0111X to 0116X and 0243X) KC (component): 16-KA4B0-(from 0103U TO 0109U)

**Mechanical characteristics**

Body	stainless steel AISI-316L
Cover	stainless steel AISI-316L
Internal plate	stainless steel AISI-316L
Fixing	fixing lugs stainless steel AISI-316L welded on enclosure body



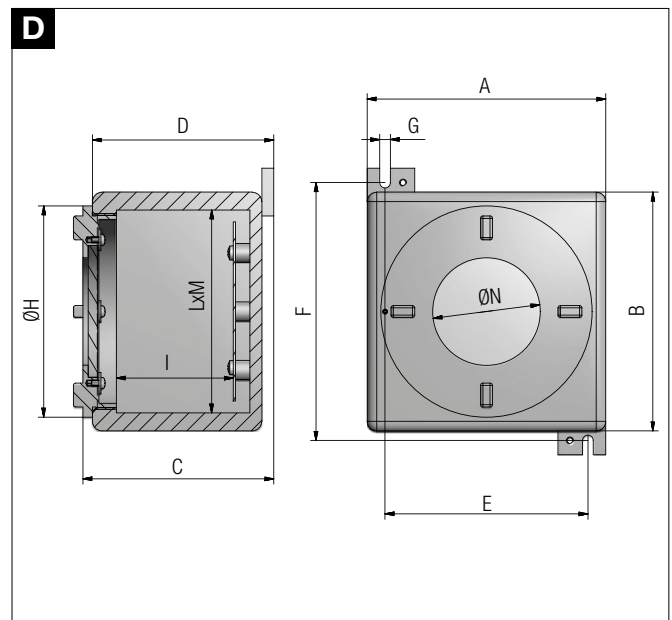
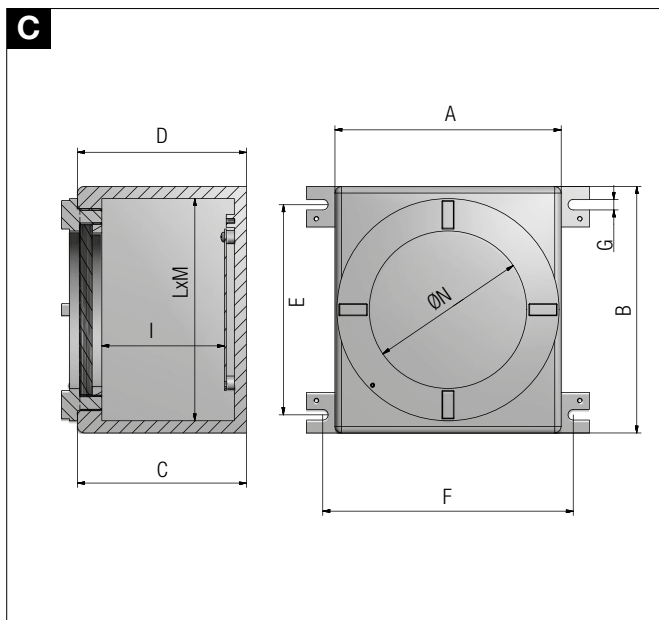
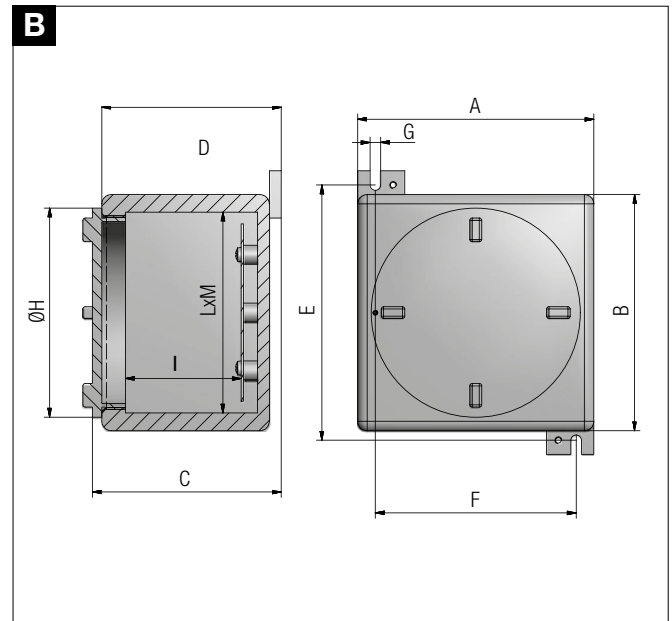
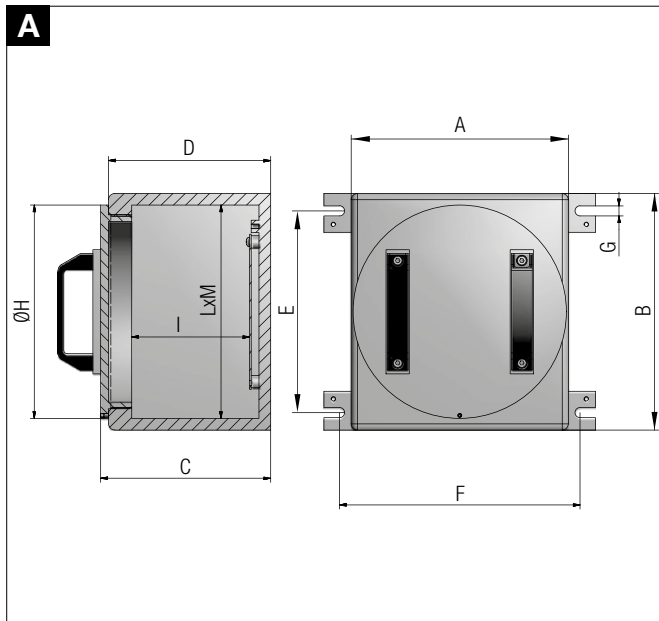
**On Request Accessories:**

- External epoxy painting with colour on request
- Internal anticondensate painting orange RAL-2004
- O-Ring gaskets on cover
- Glass windows on cover
- Drain and breather valves

Technical Features

CODE	A [mm]	B [mm]	C [mm]	D [mm]	E [mm]	F [mm]	Ø G [mm]	H [mm]	I [mm]	L [mm]	Ø M [mm]	Ø N [mm]	INT.PLATE X - Y [mm]	WEIGHT [Kg]	DETAIL
GUB00X	135	135	100	92	152	105	7	113	47	111	111	-	-	7,00	B
GUB0X	170	170	141	133	185	145	9	154	82	140	140	-	110 - 110	13,00	B
GUB1X	200	200	160	152	216	170	9	177	98	170	170	-	150 - 150	19,00	B
GUB3X	280	310	219	209	260	310	13	275	152	250	280	-	220 - 220	50,00	A
GUB23X	310	270	165	157	235	350	12	224	110	290	250	-	180 - 180	32,00	B
GUB4X	420	420	234	226	380	460	13	405	148	390	390	-	280 - 280	83,00	A
GUB5X	600	600	320	310	550	630	13	600	203	550	550	-	490 - 490	280,00	A
GUBW1X	200	200	160	152	216	170	9	177	98	170	170	90	150 - 150	19,00	D
GUBW3X	280	310	219	209	260	310	13	275	152	250	280	195	220 - 220	50,00	C
GUBW23X	310	270	165	157	235	350	12	224	110	290	250	150	180 - 180	32,00	D
GUBW4X	420	420	234	226	380	460	13	405	148	390	390	230	280 - 280	83,00	C

Reference details



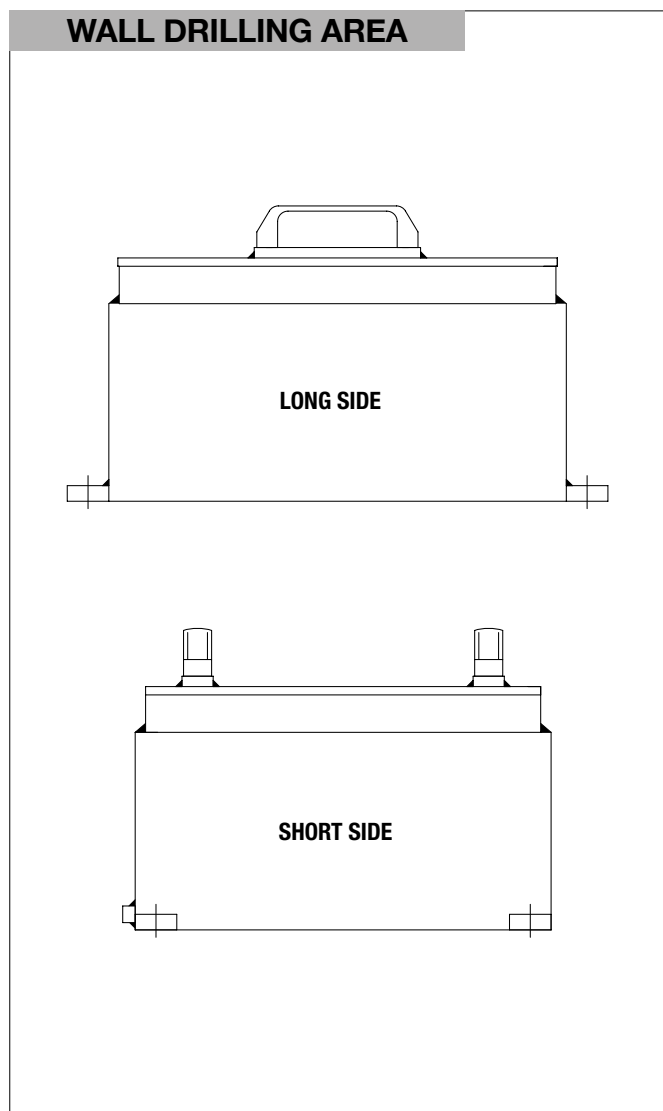


Body enclosures indicative maximum quantity of holes of the same size

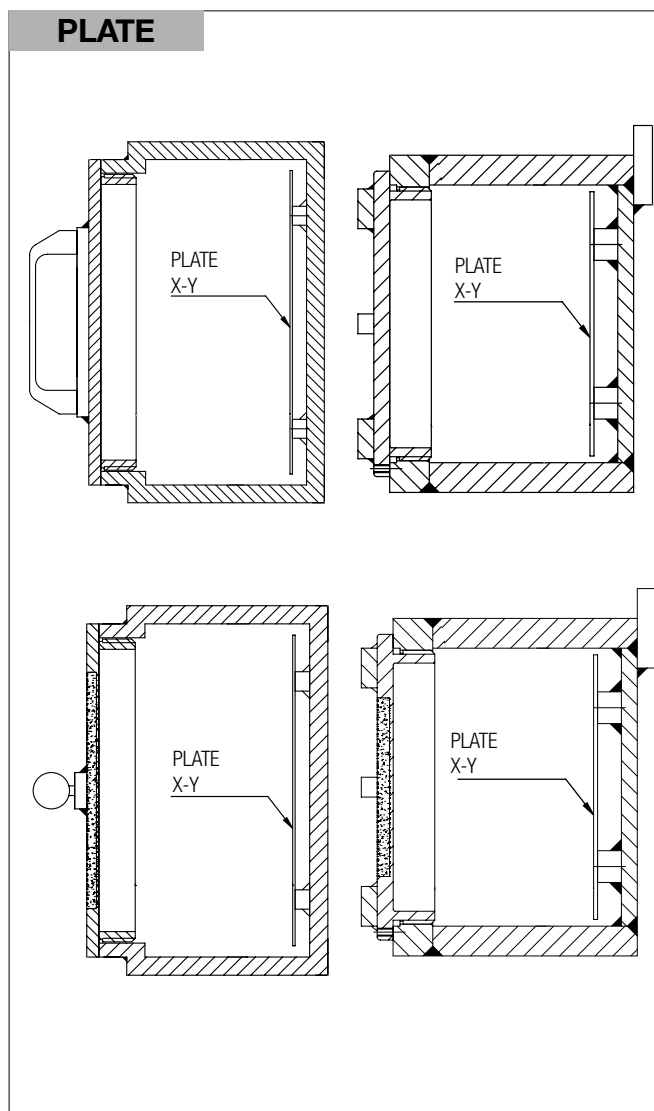
ENCLOSURE CODE	DRILLING AREA LONG SIDE							
	QUANTITY ALLOWED ENTRIES FOR size (from 1 to size 8)							
	1	2	3	4	5	6	7	8
GUB00X	2	1	1	1	/	/	/	/
GUB0X	6	3	2	2	1	1	1	/
GUB1X	6	3	3	2	2	1	1	/
GUB3X	15	11	9	8	6	4	2	2
GUB23X	11	10	8	6	4	3	2	/
GUB4X	23	18	14	11	10	7	4	3
GUB5X	45	36	27	24	18	12	6	3
GUBW1X	6	3	3	2	2	1	1	/
GUBW3X	15	11	9	8	6	4	2	2
GUBW23X	11	10	8	6	4	3	2	/
GUBW4X	23	18	14	11	10	7	4	3

ENCLOSURE CODE	DRILLING AREA SHORT SIDE							
	QUANTITY ALLOWED ENTRIES FOR size (from 1 to size 8)							
	1	2	3	4	5	6	7	8
GUB00X	2	1	1	1	/	/	/	/
GUB0X	6	3	2	2	1	1	1	/
GUB1X	6	3	3	2	2	1	1	/
GUB3X	12	9	8	6	6	3	2	2
GUB23X	9	8	8	5	3	3	2	/
GUB4X	23	18	14	11	10	7	4	3
GUB5X	45	36	27	24	18	12	6	3
GUBW1X	6	3	3	2	2	1	1	/
GUBW3X	12	9	8	6	6	3	2	2
GUBW23X	9	8	8	5	3	3	2	/
GUBW4X	23	18	14	11	10	7	4	3

Reference details



Reference details



**Indicative quantity of terminals and relevant section**

CODE ENCLOSURE	SECT. 2,5 [sq/mm]	SECT. 6,0 [sq/mm]	SECT. 10,0 [sq/mm]	SECT. 16,0 [sq/mm]	SECT. 35,0 [sq/mm]	SECT. 50,0 [sq/mm]	SECT. 70,0 [sq/mm]	SECT. 240,0 [sq/mm]	INT.PLATE X - Y [mm]
GUB00X	8x1	4x1	4x1	2x1	2x1	/	/	/	Ø90
GUB0X	12x1	6x1	6x1	4x1	4x1	2x1	1x1	/	110 - 110
GUB1X	20x1	10x1	10x1	6x1	6x1	4x1	2x1	1x1	150 - 150
GUB3X	34x1	20x1	18x1	14x1	10x1	8x1	6x1	4x1	220 - 200
GUB23X	26x1	16x1	14x1	12x1	8x1	6x1	4x1	1x1	180 - 180
GUB4X	48x2	28x2	24x2	20x2	12x2	10x2	8x1	4x1	280 - 280
GUB5X	64x3	40x3	36x3	30x3	11x3	16x3	16x1	6x2	490 - 490
GUBW1X	20x1	10x1	10x1	6x1	6x1	4x1	2x1	1x1	150 - 150
GUBW3X	34x1	20x1	18x1	14x1	10x1	8x1	6x1	4x1	220 - 200
GUBW23X	26x1	16x1	14x1	12x1	8x1	6x1	4x1	1x1	180 - 180
GUBW4X	48x2	28x2	24x2	20x2	12x2	10x2	8x1	4x1	280 - 280

**Threads comparison table**

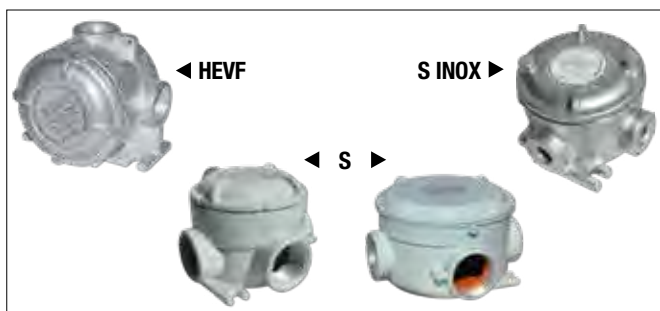
size	EN10226-2	ISO 228-1	B1.20.1	ISO 262
0	R-Rc 1/8"	G 1/8"	1/8" NPT	M10
1	R-Rc 1/2"	G 1/2"	1/2" NPT	M20
2	R-Rc 3/4"	G 3/4"	3/4" NPT	M25
3	R-Rc 1"	G 1"	1" NPT	M32
4	R-Rc 1-1/4"	G 1-1/4"	1-1/4" NPT	M40
5	R-Rc 1-1/2"	G 1-1/2"	1-1/2" NPT	M50
6	R-Rc 2"	G 2"	2" NPT	M63
7	R-Rc 2-1/2"	G 2-1/2"	2-1/2" NPT	M75
8	R-Rc 3"	G 3"	3" NPT	M85
9	-	G 3-1/2"	3-1/2" NPT	M100
10	R-Rc 4"	G 4"	4" NPT	-

**REMARK:**

Due to the development of the national and international specifications and of the technology, the above technical characteristics showed on this bulletin can be considered as binding on our confirmation only.







**Installation:** hazardous areas - Zone 1 / 2 (Gases) - Zone 21 / 22 (Dusts)  
**Classification:** Group II - Category 2G 2D



**REFERENCE STANDARDS**

Directive 2014/34/EU	
EXECUTION	<ul style="list-style-type: none"> <li>⊗ II 2 G Ex db IIC T6...T3 Gb</li> <li>⊗ II 2 G Ex eb IIC T5...T3 Gb</li> <li>⊗ II 2 D Ex tb IIIC T85°C...T200°C Db</li> </ul>
RULES OF COMPLIANCE	EN/IEC 60079-0; EN/IEC 60079-1; EN/IEC 60079-7; EN/IEC 60079-31
EC Type-Examination Certificate	INERIS ATEX 0050X
PROTECTION DEGREE	IP66
AMBIENT TEMPERATURE	-60°C ÷ +130°C
OTHER AVAILABLE CERTIFICATES	Component: INERIS 05 ATEX 9010U IECEx: IECEx INE 12.0020X Component: IECEx INE 12.0022U INMETRO: CEPEL 12.2192 Component INMETRO: CEPEL 12.2190U EAC: TC RU C-IT.Г508.B.01468 RUSSIAN MARINE CERTIFICATE (RMRS): 19.02549.280 UL NEC-505: 20130808-E353501 (GUB-S / GUB-SY Series) KC: 16-KA4B0- (from 0085X to 0093X) KC (component): 16-KA4B0- (from 0094U to 0102U) CCOE-PESO: P405708/6

**Mechanical characteristics**

Body	marine grade copper free aluminum - stainless steel AISI316L (size 17/27/37 only)
Cover	marine grade copper free aluminum - stainless steel AISI316L (size 17/27/37 only)
Screws	stainless steel
Gaskets	O-Ring sealing NBR



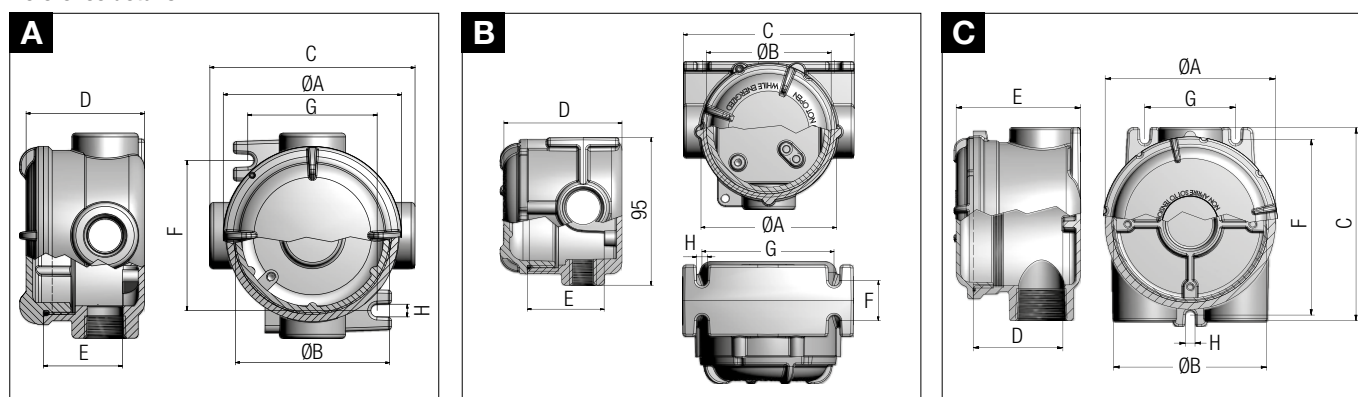
**On Request Accessories:**

- External epoxy painting with colour on request
- Internal anticondensate painting orange RAL-2004
- Cast Iron on request

Technical Features

CODE	Ø A [mm]	Ø B [mm]	C [mm]	D [mm]	E [mm]	F [mm]	G [mm]	H [mm]	WEIGHT [Kg]	DETAIL
S...16	87	77	100	75	40	70	70	7	0,60	A
S...17	113	100	130	79	50	95	82	9	0,90	A
S...26	87	77	100	75	40	70	70	7	0,60	A
S...27	113	100	130	79	50	95	82	9	0,90	A
S...36	87	77	100	75	40	70	70	7	0,60	A
S...37	113	100	130	79	50	95	82	9	0,90	A
S...59	154	135	169	110	75	100	130	7,5	1,30	A
S...69	154	135	169	110	75	100	130	7,5	1,30	A
SY59	154	135	169	110	75	155	80	9	1,30	C
HEVF26	87	77	110	76	50	26	85	7	0,50	B

Reference details



Hubs arrangement

REFERENCE DETAILS	COMPLETE CODE	HUBS SIZE	REFERENCE DETAILS	COMPLETE CODE	HUBS SIZE
SB...	SB16	2 x 1/2"	SW...	SW16	4 x 1/2"
	SB17	2 x 1/2"		SW17	4 x 1/2"
	SB26	2 x 3/4"		SW26	4 x 3/4"
	SB27	2 x 3/4"		SW27	4 x 3/4"
	SB36	2 x 1"		SW36	4 x 1"
	SB37	2 x 1"		SW37	4 x 1"
	SB59	2 x 1-1/2"		SW59	4 x 1-1/2"
	SB69	2 x 2"		SW69	4 x 2"
	SL...	SL16		2 x 1/2"	SD...
SL17		2 x 1/2"	SD17	3 x 1/2"	
SL26		2 x 3/4"	SD26	3 x 3/4"	
SL27		2 x 3/4"	SD27	3 x 3/4"	
SL36		2 x 1"	SD36	3 x 1"	
SL37		2 x 1"	SD37	3 x 1"	
SL59		2 x 1-1/2"	SD59	3 x 1-1/2"	
SL69		2 x 2"	SD69	3 x 2"	
SC...		SC16	2 x 1/2"	SY...	
	SC17	2 x 1/2"			
	SC26	2 x 3/4"			
	SC27	2 x 3/4"			
	SC36	2 x 1"			
	SC37	2 x 1"			
	SC59	2 x 1-1/2"			
	SC69	2 x 2"			
	ST...	ST16	3 x 1/2"		SM...
ST17		3 x 1/2"	SM17	3 x 1/2"	
ST26		3 x 3/4"	SM26	3 x 3/4"	
ST27		3 x 3/4"	SM27	3 x 3/4"	
ST36		3 x 1"	SM36	3 x 1"	
ST37		3 x 1"	SM37	3 x 1"	
ST59		3 x 1-1/2"	SM59	3 x 1-1/2"	
ST69		3 x 2"	SM69	3 x 2"	
HEVF26		3 x 3/4"	SJ16	5 x 1/2"	
SX...		SX16	4 x 1/2"	SJ...	
	SX17	4 x 1/2"	SJ26		5 x 3/4"
	SX26	4 x 3/4"	SJ27		5 x 3/4"
	SX27	4 x 3/4"	SJ36		5 x 1"
	SX36	4 x 1"	SJ37		5 x 1"
	SX37	4 x 1"	SJ59		5 x 1-1/2"
	SX59	4 x 1-1/2"	SJ69		5 x 2"
	SX69	4 x 2"			

S - HEVF



2



**Installation:** hazardous areas - Zone 1 / 2 (Gases) - Zone 21 / 22 (Dusts)

**Classification:** Group II - Category 2G 2D



**REFERENCE STANDARDS**

**Directive 2014/34/EU**

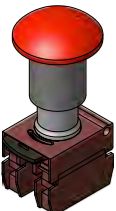
EXECUTION	<ul style="list-style-type: none"> <li>⊗ II 2 G Ex d IIB+H2 Gb or IIC Gb</li> <li>⊗ II 2 D Ex tb IIC Db</li> </ul>
RULES OF COMPLIANCE	EN/IEC 60079-0; EN/IEC 60079-1; EN/IEC 60079-31
EC Type-Examination Certificate	INERIS 13 ATEX 9016U
PROTECTION DEGREE	IP66
AMBIENT TEMPERATURE	-60°C ÷ +200°C -60°C ÷ +95°C (pilot lights)
OTHER AVAILABLE CERTIFICATES	IECEX: IECEX INE 13.0072U INMETRO: CEPPEL 13.2256U EAC: TC RU C-IT.Г508.B.01324 (-60°C ÷ +60°C) NEC 505: UL 20140207-E465153 CCOE-PESO: P405708/8

**Mechanical characteristics**

<b>PILOT LIGHTS</b>	
Body	polycarbonate
Diffuser	polycarbonate
<b>ILLUMINATED PUSH BUTTONS</b>	
Body	stainless steel
Protection ring	nickel plated brass
Diffuser	polycarbonate
Transmission	stainless steel
<b>HANDLES</b>	
Body	marine grade copper free aluminium light alloy
Transmission parts	stainless steel
<b>PUSH BUTTONS</b>	
Body	stainless steel
Protection ring	nickel plated brass
Button	aluminium light alloy / polycarbonate
Transmission	stainless steel

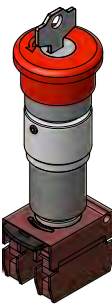
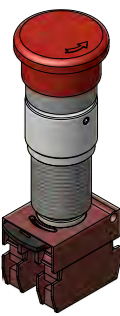
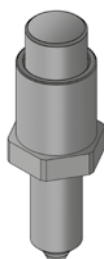
Technical data

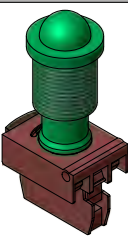
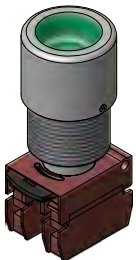
HANDLES-D	NORMAL PUSH BUTTON CODE	PADLOCKABLE PUSH BUTTON CODE	CONTACTS	PUSH BUTTON COLOUR	THREAD SIZE
<b>NORMAL AND PADLOCKABLE TYPE SPRING RETURN PUSH BUTTON - CONTACTS 10AMP</b>					
 <p><b>EFP2#</b></p>  <p><b>EFP2L#</b></p>	EFP2#AZ1	EFP2L#AZ1	1 NO	LIGHT BLUE	ISO-M25
	EFP2#AZ2	EFP2L#AZ2	1 NC	LIGHT BLUE	ISO-M25
	EFP2#AZ3	EFP2L#AZ3	1 NO + 1 NC	LIGHT BLUE	ISO-M25
	EFP2#AZ4	EFP2L#AZ4	2 NO	LIGHT BLUE	ISO-M25
	EFP2#AZ5	EFP2L#AZ5	2 NC	LIGHT BLUE	ISO-M25
	EFP2#BI1	EFP2L#BI1	1 NO	WHITE	ISO-M25
	EFP2#BI2	EFP2L#BI2	1 NC	WHITE	ISO-M25
	EFP2#BI3	EFP2L#BI3	1 NO + 1 NC	WHITE	ISO-M25
	EFP2#BI4	EFP2L#BI4	2 NO	WHITE	ISO-M25
	EFP2#BI5	EFP2L#BI5	2 NC	WHITE	ISO-M25
	EFP2#BL1	EFP2L#BL1	1 NO	BLUE	ISO-M25
	EFP2#BL2	EFP2L#BL2	1 NC	BLUE	ISO-M25
	EFP2#BL3	EFP2L#BL3	1 NO + 1 NC	BLUE	ISO-M25
	EFP2#BL4	EFP2L#BL4	2 NO	BLUE	ISO-M25
	EFP2#BL5	EFP2L#BL5	2 NC	BLUE	ISO-M25
	EFP2#GI1	EFP2L#GI1	1 NO	YELLOW	ISO-M25
	EFP2#GI2	EFP2L#GI2	1 NC	YELLOW	ISO-M25
	EFP2#GI3	EFP2L#GI3	1 NO + 1 NC	YELLOW	ISO-M25
	EFP2#GI4	EFP2L#GI4	2 NO	YELLOW	ISO-M25
	EFP2#GI5	EFP2L#GI5	2 NC	YELLOW	ISO-M25
	EFP2#NE1	EFP2L#NE1	1 NO	BLACK	ISO-M25
	EFP2#NE2	EFP2L#NE2	1 NC	BLACK	ISO-M25
	EFP2#NE3	EFP2L#NE3	1 NO + 1 NC	BLACK	ISO-M25
	EFP2#NE4	EFP2L#NE4	2 NO	BLACK	ISO-M25
	EFP2#NE5	EFP2L#NE5	2 NC	BLACK	ISO-M25
	EFP2#R01	EFP2L#R01	1 NO	RED	ISO-M25
	EFP2#R02	EFP2L#R02	1 NC	RED	ISO-M25
	EFP2#R03	EFP2L#R03	1 NO + 1 NC	RED	ISO-M25
	EFP2#R04	EFP2L#R04	2 NO	RED	ISO-M25
	EFP2#R05	EFP2L#R05	2 NC	RED	ISO-M25
	EFP2#VE1	EFP2L#VE1	1 NO	GREEN	ISO-M25
	EFP2#VE2	EFP2L#VE2	1 NC	GREEN	ISO-M25
EFP2#VE3	EFP2L#VE3	1 NO + 1 NC	GREEN	ISO-M25	
EFP2#VE4	EFP2L#VE4	2 NO	GREEN	ISO-M25	
EFP2#VE5	EFP2L#VE5	2 NC	GREEN	ISO-M25	

<b>SPRING RETURN MUSHROOM PUSH BUTTON - CONTACTS 10AMP</b>					
	EFP2F#1		1 NO	RED	ISO-M25
	EFP2F#2		1 NC	RED	ISO-M25
	EFP2F#3		1 NO + 1 NC	RED	ISO-M25
	EFP2F#4		2 NO	RED	ISO-M25
	EFP2F#5		2 NC	RED	ISO-M25


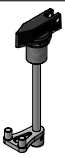



## Technical data

HANDLES-D	CODE	CONTACTS	PUSH BUTTON COLOUR	THREAD SIZE
<b>RELEASE BY KEY STAY-PUT MUSHROOM PUSH BUTTON - CONTACTS 10AMP</b>				
	EFP2FSC#NE1	1 NO	BLACK	ISO-M25
	EFP2FSC#NE2	1 NC	BLACK	ISO-M25
	EFP2FSC#NE3	1 NO + 1 NC	BLACK	ISO-M25
	EFP2FSC#NE4	2 NO	BLACK	ISO-M25
	EFP2FSC#NE5	2 NC	BLACK	ISO-M25
	EFP2FSC#RO1	1 NO	RED	ISO-M25
	EFP2FSC#RO2	1 NC	RED	ISO-M25
	EFP2FSC#RO3	1 NO + 1 NC	RED	ISO-M25
	EFP2FSC#RO4	2 NO	RED	ISO-M25
	EFP2FSC#RO5	2 NC	RED	ISO-M25
<b>TURN TO RELEASE STAY-PUT MUSHROOM PUSH BUTTON - CONTACTS 10AMP</b>				
	EFP2FSR#GI1	1 NO	YELLOW	ISO-M25
	EFP2FSR#GI2	1 NC	YELLOW	ISO-M25
	EFP2FSR#GI3	1 NO + 1 NC	YELLOW	ISO-M25
	EFP2FSR#GI4	2 NO	YELLOW	ISO-M25
	EFP2FSR#GI5	2 NC	YELLOW	ISO-M25
	EFP2FSR#NE1	1 NO	BLACK	ISO-M25
	EFP2FSR#NE2	1 NC	BLACK	ISO-M25
	EFP2FSR#NE3	1 NO + 1 NC	BLACK	ISO-M25
	EFP2FSR#NE4	2 NO	BLACK	ISO-M25
	EFP2FSR#NE5	2 NC	BLACK	ISO-M25
	EFP2FSR#RO1	1 NO	RED	ISO-M25
	EFP2FSR#RO2	1 NC	RED	ISO-M25
	EFP2FSR#RO3	1 NO + 1 NC	RED	ISO-M25
	EFP2FSR#RO4	2 NO	RED	ISO-M25
	EFP2FSR#RO5	2 NC	RED	ISO-M25
<b>PUSHBUTTON KIT IN STAINLESS STEEL FOR SPECIAL APPLICATIONS (WITH/WITHOUT CONTACT)</b>				
	KITPM10X	-	-	ISOM10
	KITPM10XF	-	-	ISOM10

HANDLES-D	CODE	CONTACTS DIAGRAM	SUPPLY	LAMPHOLDER	LAMP COLOUR	SIZE
<b>PILOT LIGHT FOR BACK COVER INSTALLATION</b>						
	EFL2#AZ	-	12V ÷ 380V ac/dc	Ba-9s	LIGHT BLUE	ISO-M25
	EFL2#BI	-	12V ÷ 380V ac/dc	Ba-9s	WHITE	ISO-M25
	EFL2#AZ	-	12V ÷ 380V ac/dc	Ba-9s	BLUE	ISO-M25
	EFL2#GI	-	12V ÷ 380V ac/dc	Ba-9s	YELLOW	ISO-M25
	EFL2#RO	-	12V ÷ 380V ac/dc	Ba-9s	RED	ISO-M25
	EFL2#VE	-	12V ÷ 380V ac/dc	Ba-9s	GREEN	ISO-M25
	EFL2#AR	-	12V ÷ 380V ac/dc	Ba-9s	ORANGE	ISO-M25
<b>SPRING RETURN ILLUMINATED PUSH BUTTON FOR BACK COVER INSTALLATION</b>						
	EFLP3#BL1	1NO	12V ÷ 380V ac/dc	Ba-9s	BLUE	ISO-M32
	EFLP3#BL3	1NO + 1NC	12V ÷ 380V ac/dc	Ba-9s	BLUE	ISO-M32
	EFLP3#GI2	1NC	12V ÷ 380V ac/dc	Ba-9s	YELLOW	ISO-M32
	EFLP3#GI3	1NO + 1NC	12V ÷ 380V ac/dc	Ba-9s	YELLOW	ISO-M32
	EFLP3#RO1	1NO	12V ÷ 380V ac/dc	Ba-9s	RED	ISO-M32
	EFLP3#RO2	1NC	12V ÷ 380V ac/dc	Ba-9s	RED	ISO-M32
	EFLP3#RO3	1NO + 1NC	12V ÷ 380V ac/dc	Ba-9s	RED	ISO-M32
	EFLP3#VE1	1NO	12V ÷ 380V ac/dc	Ba-9s	GREEN	ISO-M32
	EFLP3#VE3	1NO + 1NC	12V ÷ 380V ac/dc	Ba-9s	GREEN	ISO-M32

Technical data

HANDLES-D	CODE	HANDLE COLOUR	SIZE
<b>BACK COVER INSTALLATION PADLOCKABLE HANDLE (for selector switch only)</b>			
	EFI-RLL EFI-RLLX (Stainless Steel)	BLACK	1/2" ISO-228
 with keys	EFI-RC EFI-RCX (Stainless Steel)	BLACK	1" ISO-228
	EFI-MCB EFI-MCBX (Stainless Steel)	BLACK	1/2" ISO-228
<b>BACK COVER INSTALLATION PADLOCKABLE HANDLE (for MCB only)</b>			
	EFI-SC EFI-SCX (Stainless Steel)	BLACK	1/2" ISO-228
<b>PADLOCKABLE HANDLE FOR MCB (ALL POSITION)</b>			
	2040.00578 2040.00578X (Stainless Steel)	BLACK	1/2" ISO-228
	EFI-RLI EFI-RLIX (Stainless Steel)	BLACK	1/2" ISO-228
<b>PADLOCKABLE HANDLE FOR MCCB 63A MAX (ALL POSITION)</b>			
	2040.00258 2040.00258X (Stainless Steel)	BLACK	1/2" ISO-228
<b>63÷400A SIZE PADLOCKABLE HANDLE (ALL POSITIONS)</b>			
	EFI-MCCBR8 EFI-MCCBR8X (Stainless Steel)	BLACK	1/2" ISO-228
<b>PADLOCKABLE DOUBLE HANDLE (ALL POSITIONS)</b>			
	EFI-MCCBR10/D EFI-MCCBR10X/D (Stainless steel)	BLACK	3/4" ISO-228
HANDLES-D		CODE	
<b>ROTARY DEVICE FOR SCHNEIDER MCB</b>			
		2010.00260	

REMARK:

Due to the development of the national and international specifications and of the technology, the above technical characteristics showed on this bulletin can be considered as binding on our confirmation only.







**Installation:** hazardous areas - Zone 1 / 2 (Gases) - Zone 21 / 22 (Dusts)  
**Classification:** Group II - Category 2G 2D



**REFERENCE STANDARDS**

**Directive 2014/34/EU**

EXECUTION	⊕ II 2 G Ex d IIC T6 Gb ⊕ II 2 D Ex tb IIIC T85°C Db
RULES OF COMPLIANCE	EN/IEC 60079-0; EN/IEC 60079-1; EN/IEC 60079-31
EC Type-Examination Certificate	INERIS 02 ATEX 0090X
PROTECTION DEGREE	IP66
AMBIENT TEMPERATURE	-60°C ÷ +60°C
OTHER AVAILABLE CERTIFICATES	IECEx: IECEx INE 14.0013X EAC: TC RU C-IT.ГБ08.B.01468 (-60°C ÷ +60°C) RUSSIAN MARINE CERTIFICATE (RMRS): 19.02549.280

**Mechanical characteristics**

Body	marine grade copper free aluminum
Cover	marine grade copper free aluminum
Round window	transparent tempered glass
Gasket	NBR O-Ring sealing



**On Request Accessories:**

- External epoxy painting with colour on request
- Internal anticondensate painting
- AISI 316L stainless steel drain breather valve

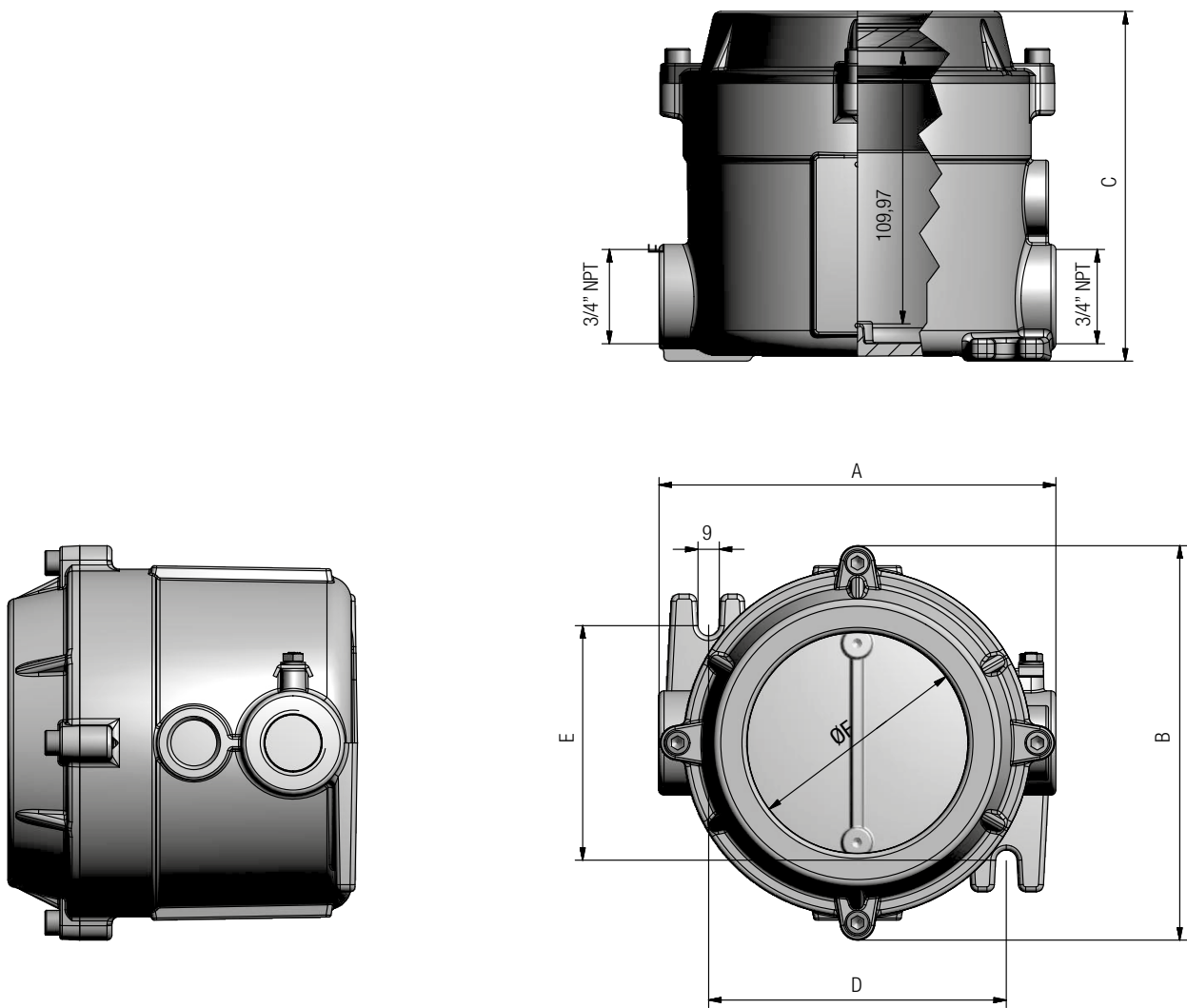


Technical Features

CODE	A [mm]	B [mm]	C [mm]	D [mm]	E [mm]	F [mm]	G [mm]	ØH [mm]	WEIGHT [Kg]	THREADED ENTRY	DRAIN VALVE	DETAIL
EMH92	160	159	141	120	95	89	110	8	1,50	1 x 3/4"	NO	A
EMH922	160	159	141	120	95	89	110	8	1,50	2 x 3/4"	NO	A
EMH92V	160	159	141	120	95	89	110	8	1,50	1 x 3/4"	YES	A
EMH922V	160	159	141	120	95	89	110	8	1,50	2 x 3/4"	YES	A

Reference details

A



REMARK:

Due to the development of the national and international specifications and of the technology, the above technical characteristics showed on this bulletin can be considered as binding on our confirmation only.



**Installation:** hazardous areas - Zone 1 / 2 (Gases) - Zone 21 / 22 (Dusts)  
**Classification:** Group II - Category 2G 2D



**REFERENCE STANDARDS**

**Directive 2014/34/EU**

EXECUTION	⊗ II 2 G Ex e IIB or IIC T6 ÷ T3 Gb ⊗ II 2 D Ex tb IIIC T85°C ÷ T200°C Db
RULES OF COMPLIANCE	EN/IEC 60079-0; EN/IEC 60079-1; EN/IEC 60079-7; EN/IEC 60079-11; EN/IEC 60079-18; EN/IEC 60079-31
EC Type-Examination Certificate	INERIS 03 ATEX 0027X
PROTECTION DEGREE	IP66
AMBIENT TEMPERATURE	-60°C ÷ +60°C (+160°C with ceramic terminals)
OTHER AVAILABLE CERTIFICATES	Component: INERIS 13 ATEX 9027U IECEx: IECEx INE 11.0014X Component: IECEx INE 13.0101U INMETRO: CEPPEL 12.2158 EAC: TC RU C-IT.Г508.B.01468 RINA: ELE137217CS002 RUSSIAN MARINE CERTIFICATE (RMRS): 19.02549.280 NEC 505: UL 20140131-E356725 - Type rating NEMA 1, 12, 4 and 4X Kc (Korean certification): 14-KB4BO-0449 and 14-KB4BO-0451 CCOE-PESO: P405708/3 (zone 2 only)

**Mechanical characteristics**

Body	marine grade copper free aluminium light alloy
Cover	marine grade copper free aluminium light alloy
Screws	stainless steel
Internal plate	aluminium
Gasket	silicon rubber



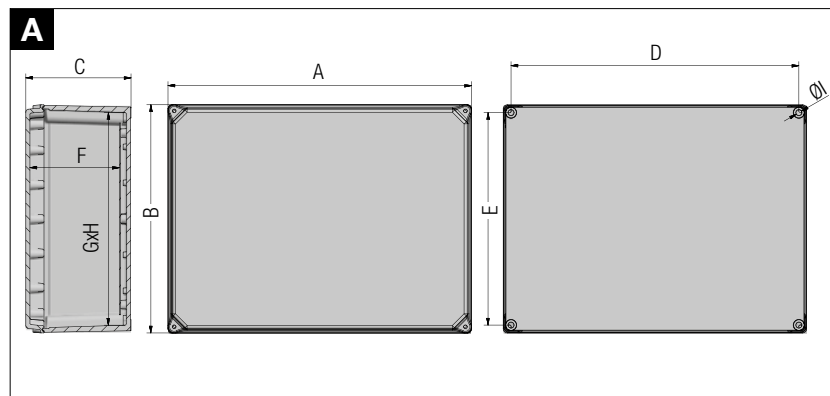
**On Request Accessories:**

- External epoxy painting with colour on request
- Internal anticondensate painting orange RAL-2004
- Drain and breather valves

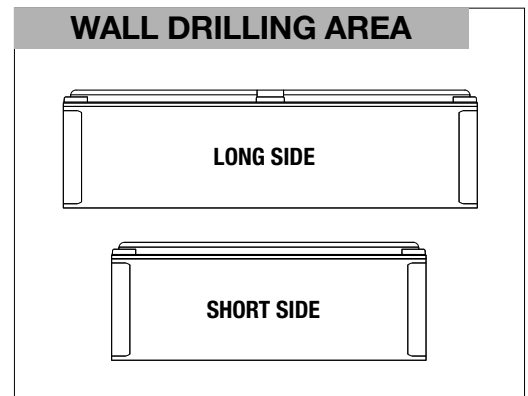
**Technical Features**

CODE	A [mm]	B [mm]	C [mm]	D [mm]	E [mm]	F [mm]	G [mm]	H [mm]	I [mm]	INT.PLATE X - Y [mm]	WEIGHT [Kg]	DETAIL
ESA1313A	130	130	87	115	115	70	112	112	6	110 - 70	1,20	A
ESA1717A	170	170	97	155	155	81	151	151	6	150 - 150	1,50	A
ESA2216A	220	160	96	205	145	80	141	201	6	200 - 100	3,80	A
ESA2222A	220	220	112	205	205	95	201	201	6	200 - 200	4,40	A
ESA3322A	330	220	123	310	200	103	201	311	8	294 - 154	6,40	A
ESA3333A	330	330	131	310	310	111	311	311	8	290 - 290	8,80	A
ESA4433A	440	330	154	420	310	131	311	421	8	400 - 290	11,40	A
ESA5242A	520	420	183	496	394	159	398	499	8	460 - 370	20,20	A
ESA6348A	630	480	181	615	465	156	459	609	8	550 - 400	21,30	A

**Reference Details**



**Reference Details**



**Body enclosures indicative maximum quantity of holes of the same size**

ENCLOSURE CODE	DRILLING AREA LONG SIDE							
	QUANTITY ALLOWED ENTRIES FOR SIZE (from 1 to size 8)							
	1	2	3	4	5	6	7	8
ESA1313A	2	1	1	1	/	/	/	/
ESA1717A	5	3	2	2	2	1	/	/
ESA2216A	6	3	3	3	2	2	/	/
ESA2222A	9	5	3	3	3	2	2	/
ESA3322A	12	7	6	5	4	3	3	/
ESA3333A	12	7	6	5	4	3	2	/
ESA4433A	20	14	12	12	6	5	3	/
ESA5242A	30	18	16	12	12	8	4	3
ESA6348A	36	24	18	16	12	10	6	4

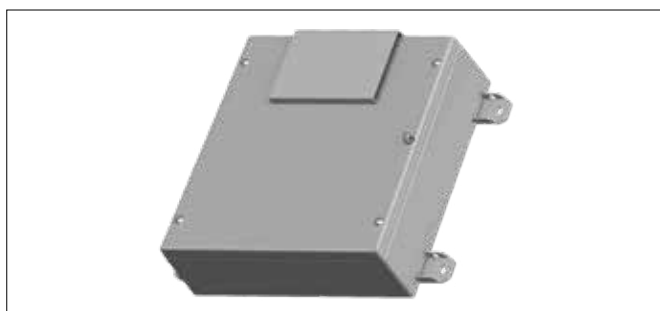
ENCLOSURE CODE	DRILLING AREA SHORT SIDE							
	QUANTITY ALLOWED ENTRIES FOR SIZE (from 1 to size 8)							
	1	2	3	4	5	6	7	8
ESA1313A	2	1	1	1	/	/	/	/
ESA1717A	5	3	2	2	2	1	/	/
ESA2216A	4	2	2	2	1	1	/	/
ESA2222A	8	5	3	3	3	2	2	/
ESA3322A	8	5	4	4	3	2	2	/
ESA3333A	12	7	6	5	4	3	2	/
ESA4433A	14	10	8	8	4	3	2	/
ESA5242A	28	18	14	11	10	7	4	1
ESA6348A	30	21	15	12	10	8	4	3

**Indicative quantity of terminals and relevant section**

CODE ENCLOSURE	SECT. 2,5 [sq/mm]	SECT. 6,0 [sq/mm]	SECT. 10,0 [sq/mm]	SEZ. 16,0 [sq/mm]	SEZ. 35,0 [sq/mm]	SECT. 50,0 [sq/mm]	SECT. 70,0 [sq/mm]	SECT. 240,0 [sq/mm]	INT.PLATE X - Y [mm]
ESA1313A	10 x 1	5 x 1	4 x 1	4 x 1	3 x 1	2 x 1	1 x 1	/	112 - 70
ESA1717A	20 x 1	10 x 1	8 x 1	8 x 1	6 x 1	3 x 1	2 x 1	1 x 1	150 - 150
ESA2216A	30 x 1	18 x 1	14 x 1	10 x 1	8 x 1	3 x 1	2 x 1	1 x 1	200 - 100
ESA2222A	30 x 1	18 x 1	14 x 1	10 x 1	8 x 1	4 x 1	2 x 1	2 x 1	200 - 200
ESA3322A	46 x 1	26 x 1	22 x 1	18 x 1	14 x 1	10 x 1	6 x 1	2 x 1	294 - 154
ESA3333A	46 x 2	24 x 2	22 x 2	16 x 2	14 x 2	10 x 1	8 x 1	3 x 1	290 - 290
ESA4433A	70 x 2	40 x 2	32 x 2	26 x 2	20 x 2	14 x 2	10 x 1	4 x 1	400 - 290
ESA5242A	70 x 3	44 x 3	34 x 3	30 x 3	22 x 3	18 x 2	14 x 1	6 x 1	460 - 370
ESA6348A	90 x 3	56 x 3	44 x 3	40 x 3	28 x 3	24 x 2	20 x 1	10 x 1	550 - 400

**REMARK:**

Due to the development of the national and international specifications and of the technology, the above technical characteristics showed on this bulletin can be considered as binding on our confirmation only.



**Installation:** hazardous areas - Zone 1 / 2 (Gases) - Zone 21 / 22 (Dusts)  
**Classification:** Group II - Category 2G 2D



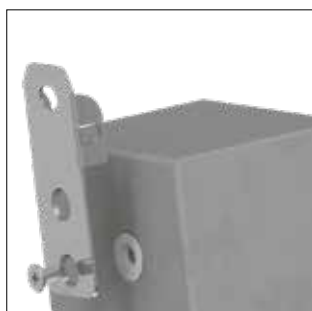
**REFERENCE STANDARDS**

**Directive 2014/34/EU**

EXECUTION	<ul style="list-style-type: none"> <li>⊗ II 2 G Ex e IIB or IIC T6 ÷ T3 Gb</li> <li>⊗ II 2 D Ex tb IIIC T85°C ÷ T200°C Db</li> </ul>
RULES OF COMPLIANCE	EN/IEC 60079-0; EN/IEC 60079-1; EN/IEC 60079-7; EN/IEC 60079-11; EN/IEC 60079-18; EN/IEC 60079-31
EC Type-Examination Certificate	INERIS 03 ATEX 0027X
PROTECTION DEGREE	IP66
AMBIENT TEMPERATURE	-60°C ÷ +60°C (+160°C with ceramic terminals)
OTHER AVAILABLE CERTIFICATES	Component: INERIS 13 ATEX 9027U IECEx: IECEx INE 11.0014X Component: IECEx INE 13.0101U INMETRO: CEPEL 12.2158 EAC: TC RU C-IT.ГБ08.В.01468 RINA: ELE137217CS002 RUSSIAN MARINE CERTIFICATE (RMRS): 19.02549.280 NEC 505: UL 20140131-E356725 Type rating NEMA 1, 12, 4 and 4X Kc (Korean certification): 14-KB4B0-0450 and 14-KB4B0-0452 CCOE-PESO: P405708/3 (zone 2 only)

**Mechanical characteristics**

Body	stainless steel AISI-316L - th. 1,5mm
Cover	stainless steel AISI-316L - th. 1,5mm
Screws	stainless steel AISI-316L
Internal plate	stainless steel AISI-316L - th. 1,5mm
Gasket	silicon rubber
Fixing	stainless steel AISI-316L fixing lugs, adjustable on horizontal / vertical / 45° position
Closing	with key (on demand) / with screws (on standard)



- On Request Accessories:**
- Hinges system (universal positioning setup)
  - External fixing lugs for supplied loose (new positioning setup)
  - Padlockable lid system and/or closing with key device
  - External epoxy painting with colour on request
  - Internal anticondensate painting orange RAL-2004
  - Drain and breather valves
  - Removable flanges on side walls (see identification table)
  - Documents holders and name plate holder
  - Different thickness (body - cover - internal plate)

Technical Features

LONG SIDE		SHORT SIDE		HEIGHT		LONG SIDE FLANGE						SHORT SIDE FLANGE						TYPE OF CLOSING						ACCES-SORIES	FIXING LUGS	INTERNAL HEIGHT D [mm]	PLATE X-Y [mm]	WEIGHT [Kg]	DETAIL						
TYPE	A [mm]	TYPE	B [mm]	TYPE	C [mm]	0	1	2	3	4	5	6	0	1	2	3	4	5	6	CSS	CVL	CVC	SHL							SHC	PKL	PKC	O	T	P
013	130	013	130	B	90	0	1	2	3	4	5	6	0	1	2	3	4	5	6	CSS	CVL	CVC	SHL	SHC	PKL	PKC	O	T	P	O	K	55	80-80	1,50	A
017	170	017	170	B	90	0	1	2	3	4	5	6	0	1	2	3	4	5	6	CSS	CVL	CVC	SHL	SHC	PKL	PKC	O	T	P	O	K	55	120-120	2,00	A
022	220	016	165	A	150	0	1	2	3	4	5	6	0	1	2	3	4	5	6	CSS	CVL	CVC	SHL	SHC	PKL	PKC	O	T	P	O	K	115	170-115	4,00	A
		022	220	A	150	0	1	2	3	4	5	6	0	1	2	3	4	5	6	CSS	CVL	CVC	SHL	SHC	PKL	PKC	O	T	P	O	K	115	170-170	4,50	
033	330	022	220	A	150	0	1	2	3	4	5	6	0	1	2	3	4	5	6	CSS	CVL	CVC	SHL	SHC	PKL	PKC	O	T	P	O	K	115	280-170	5,50	A
		033	330	A	150	0	1	2	3	4	5	6	0	1	2	3	4	5	6	CSS	CVL	CVC	SHL	SHC	PKL	PKC	O	T	P	O	K	115	280-280	7,50	A
040	400	040	400	D	200	0	1	2	3	4	5	6	0	1	2	3	4	5	6	CSS	CVL	CVC	SHL	SHC	PKL	PKC	O	T	P	O	K	165	350-350	8,50	A
044	440	033	330	A	150	0	1	2	3	4	5	6	0	1	2	3	4	5	6	CSS	CVL	CVC	SHL	SHC	PKL	PKC	O	T	P	O	K	115	390-280	9,00	A
052	520	042	420	D	200	0	1	2	3	4	5	6	0	1	2	3	4	5	6	CSS	CVL	CVC	SHL	SHC	PKL	PKC	O	T	P	O	K	165	470-370	12,50	A
063	630	048	480	D	200	0	1	2	3	4	5	6	0	1	2	3	4	5	6	CSS	CVL	CVC	SHL	SHC	PKL	PKC	O	T	P	O	K	165	580-430	16,50	A
150	1500	110	1100	G	900	0	1	2	3	4	5	6	0	1	2	3	4	5	6	CSS	CVL	CVC	SHL	SHC	PKL	PKC	O	T	P	O	K	865	1450-1050	145	A
200	2000	180	1800	H	600	0	1	2	3	4	5	6	0	1	2	3	4	5	6	CSS	CVL	CVC	SHL	SHC	PKL	PKC	O	T	P	O	K	565	1950-1750	215	A



EXAMPLES

ESX#	013	013	B	0	0	CSS	0	0
------	-----	-----	---	---	---	-----	---	---

ESX#013013B00CSS00 = dimensions: 130x130x90, without flanges, closing lid with screws, without accessories, fixing lugs excluded.

ESX#	044	033	A	1	1	CVL	T	K
------	-----	-----	---	---	---	-----	---	---

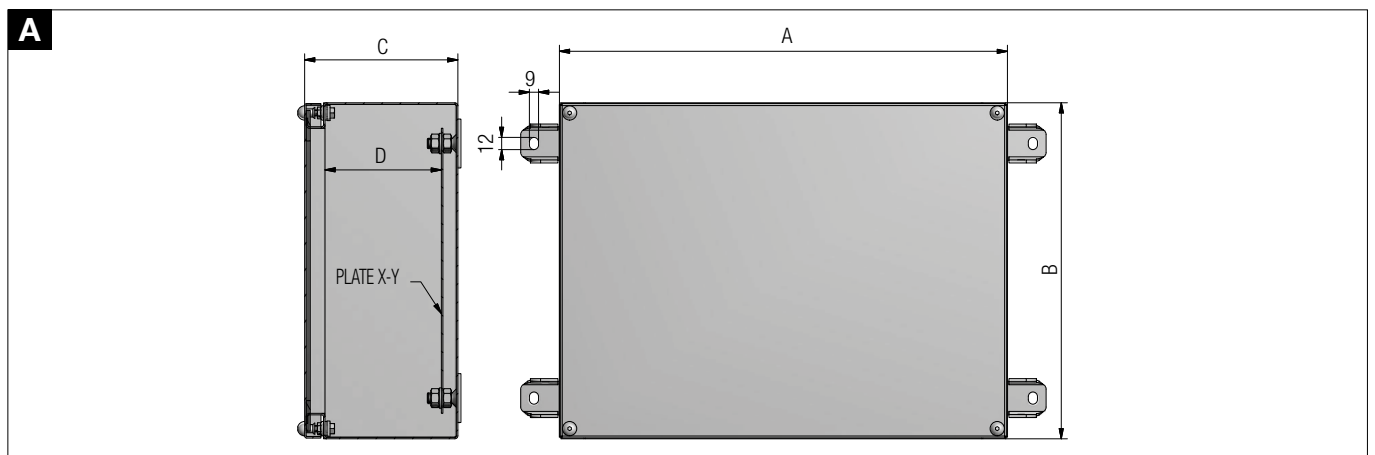
ESX#044033A11CVLTK = dimensions: 440x330x150, 1 flange long side, 1 flange short side, closing lid with hinges and screws long side, with internal documents holder and fixing lugs included.

N°	Long Side Flange	N°	Short Side Flange	Code	Type of closing
0	without flanges	0	without flanges	CSS	closing lid with screws
1	n. 1 flange long side	1	n. 1 flange short side	CVL	closing lid with hinges and screws, long side
2	n. 2 flanges long side	2	n. 2 flanges short side	CVC	closing lid with hinges and screws, short side
3	n. 1 flange 3 mm thickness long side	3	n. 1 flange 3 mm thickness short side	SHL	closing lid with hinges and key, long side
4	n. 2 flanges 3 mm thickness long side	4	n. 2 flanges 3 mm thickness short side	SHC	closing lid with hinges and key, short side
5	n. 1 double flange long side	5	n. 1 double flange short side	PKL	closing lid with hinges and padlock, long side
6	n. 2 double flanges long side	6	n. 2 double flanges short side	PKC	closing lid with hinges and padlock, short side

Code	Accessories
0	without accessories
T	with internal documents holder
P	with plateholder

Code	Fixing Lugs
0	fixing lugs excluded
K	fixing lugs included

Reference Details

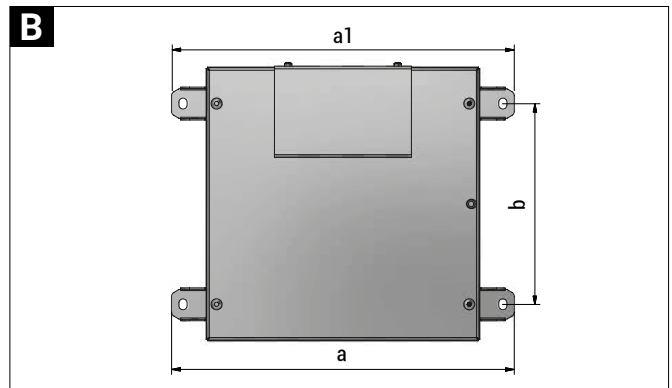




**DISTANCE BETWEEN FIXING CENTERS**

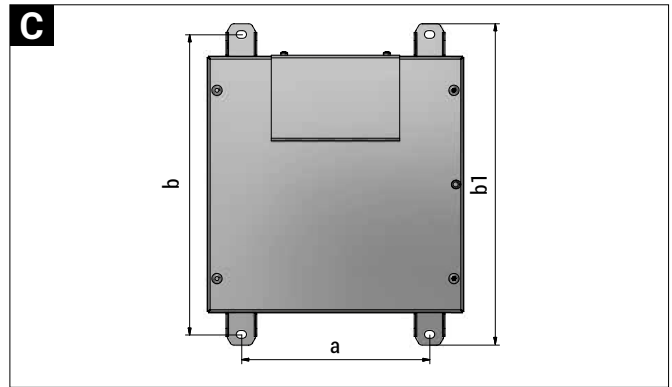
**Horizontal position**

ENCLOSURE	a	b	a1	DETAIL
ESX#1313	180	50	205	B
ESX#1717	220	90	245	B
ESX#2216	270	85	295	B
ESX#2222	270	140	295	B
ESX#3322	380	140	405	B
ESX#3333	380	250	405	B
ESX#4040	450	320	475	B
ESX#4433	490	250	515	B
ESX#5242	570	340	595	B
ESX#6348	680	400	705	B
ESX#150110 ESX#200180	* for further details, please contact our technical sales department			



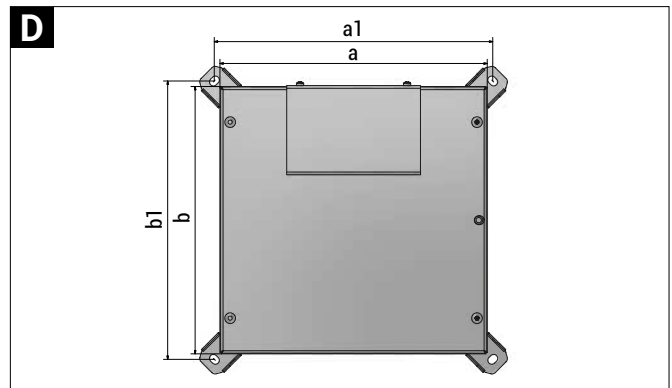
**Vertical position**

Enclosure	a	b	b1	DETAIL
ESX#1313	50	180	205	C
ESX#1717	90	220	245	C
ESX#2216	140	210	235	C
ESX#2222	140	270	295	C
ESX#3322	250	270	295	C
ESX#3333	250	380	405	C
ESX#4040	320	450	475	C
ESX#4433	360	380	405	C
ESX#5242	440	470	495	C
ESX#6348	550	530	555	C
ESX#150110 ESX#200180	* for further details, please contact our technical sales department			



**45° position**

Enclosure	a	b	a1	b1	DETAIL
ESX#1313	143	143	175	175	D
ESX#1717	183	183	215	215	D
ESX#2216	233	178	265	205	D
ESX#2222	233	233	265	265	D
ESX#3322	343	233	375	265	D
ESX#3333	343	343	375	375	D
ESX#4040	413	413	445	445	D
ESX#4433	453	343	485	375	D
ESX#5242	533	433	565	465	D
ESX#6348	643	493	675	525	D
ESX#150110 ESX#200180	* for further details, please contact our technical sales department				

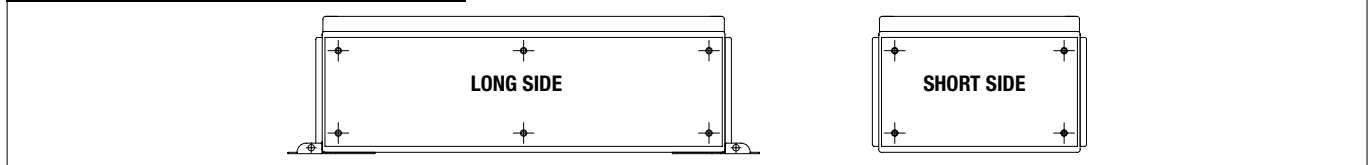


**Removable flanges indicative maximum quantity of holes of the same size**

ENCLOSURE CODE	DRILLING AREA LONG SIDE							
	QUANTITY ALLOWED ENTRIES FOR SIZE (from 1 to size 8)							
	1	2	3	4	5	6	7	8
ESX#2216	8	5	4	3	2	2	1	/
ESX#2222	8	5	4	3	2	2	1	/
ESX#3322	12	8	7	4	4	3	3	/
ESX#3333	12	8	7	4	4	3	3	/
ESX#4040	14	10	8	6	5	4	3	/
ESX#4433	18	13	11	8	6	5	4	/
ESX#5242	40	28	22	16	14	12	8	4
ESX#6348	24	17	14	10	9	7	5	/
ESX#150110 ESX#200180	* for further details, please contact our technical sales department							

ENCLOSURE CODE	DRILLING AREA SHORT SIDE							
	QUANTITY ALLOWED ENTRIES FOR SIZE (from 1 to size 8)							
	1	2	3	4	5	6	7	8
ESX#2216	6	3	2	2	1	1	1	/
ESX#2222	8	5	4	3	2	2	1	/
ESX#3322	8	5	4	3	2	2	1	/
ESX#3333	12	8	7	4	4	3	3	/
ESX#4040	14	10	8	6	5	4	3	/
ESX#4433	14	9	7	5	4	3	3	/
ESX#5242	32	22	18	14	10	8	6	3
ESX#6348	18	13	10	8	6	5	4	/
ESX#150110 ESX#200180	* for further details, please contact our technical sales department							

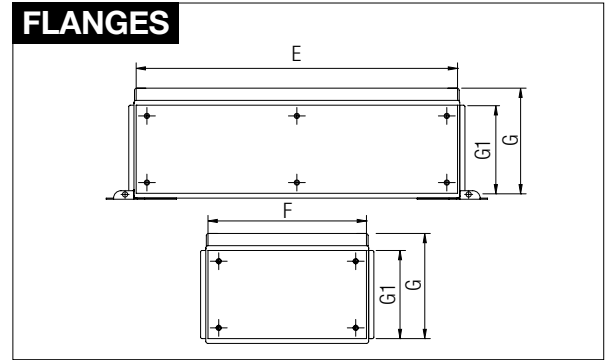
**FLANGES DRILLING AREA**



**Removable flanges dimensions**

CODE	E [mm]	F [mm]	G [mm]	G1 [mm]
ESX#2216	214	159	/	119
ESX#2222	214	214	/	119
ESX#3322	324	214	/	119
ESX#3333	324	324	/	119
ESX#4040	394	394	/	169
ESX#4433	484	359	/	119
ESX#5242	514	414	212,5	169
ESX#6348	624	474	/	169
ESX#150110	* for further details, please contact our technical sales department			
ESX#200180				

**Reference Details**



**Indicative quantity of terminals and relevant section**

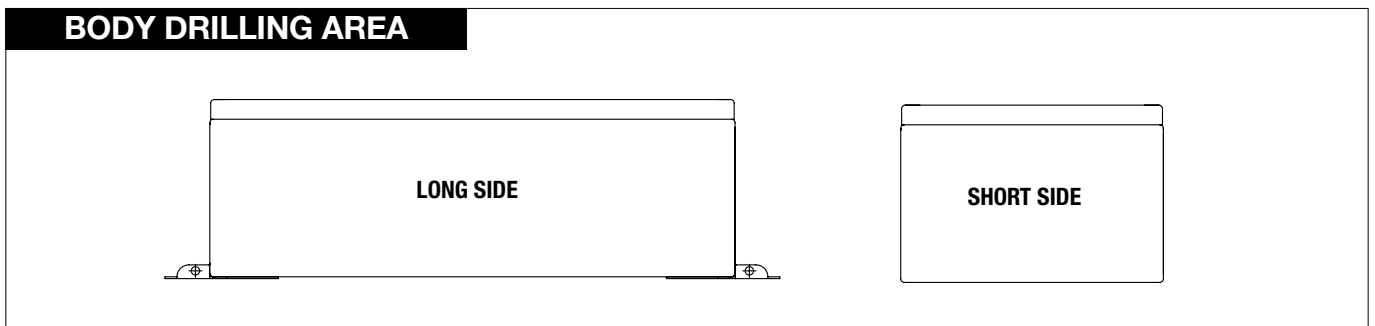
ENCLOSURE CODE	SECT. 2,5 [sq/mm]	SECT. 6,0 [sq/mm]	SECT. 10,0 [sq/mm]	SECT. 16,0 [sq/mm]	SECT. 35,0 [sq/mm]	SECT. 50,0 [sq/mm]	SECT. 70,0 [sq/mm]	SECT. 240,0 [sq/mm]	INT.PLATE X - Y [mm]
ESX#1313	8 x 1	5 x 1	4 x 1	4 x 1	3 x 1	2 x 1	1 x 1	/	80 - 80
ESX#1717	22 x 1	12 x 1	10 x 1	8 x 1	7 x 1	5 x 1	4 x 1	/	120 - 120
ESX#2216	30 x 1	18 x 1	14 x 1	12 x 1	9 x 1	8 x 1	6 x 1	1 x 1	170 - 115
ESX#2222	30 x 1	18 x 1	14 x 1	12 x 1	9 x 1	8 x 1	6 x 1	2 x 1	170 - 170
ESX#3322	48 x 1	30 x 1	24 x 1	18 x 1	15 x 1	12 x 1	11 x 1	2 x 1	280 - 170
ESX#3333	48 x 2	30 x 2	24 x 2	18 x 2	15 x 2	12 x 2	11 x 1	2 x 1	280 - 280
ESX#4040	70 x 2	42 x 2	34 x 2	28 x 2	22 x 2	18 x 2	16 x 1	4 x 1	350 - 350
ESX#4433	78 x 2	50 x 2	40 x 2	34 x 2	26 x 2	20 x 2	18 x 1	8 x 1	390 - 280
ESX#5242	86 x 2	55 x 2	44 x 2	36 x 2	28 x 2	22 x 2	19 x 2	6 x 1	470 - 370
ESX#6348	108 x 3	68 x 3	54 x 3	46 x 3	34 x 3	28 x 3	26 x 2	10 x 1	580 - 430
ESX#150110	* for further details, please contact our technical sales department								1450 - 1050
ESX#200180									1950 - 1750

**Body enclosures indicative maximum quantity of holes of the same size**

ENCLOSURE CODE	DRILLING AREA LONG SIDE							
	QUANTITY ALLOWED ENTRIES FOR SIZE (from 1 to size 8)							
	1	2	3	4	5	6	7	8
ESX#1313	2	2	/	/	/	/	/	/
ESX#1717	3	3	/	/	/	/	/	/
ESX#2216	8	8	6	5	3	2	2	1
ESX#2222	8	8	6	5	3	2	2	1
ESX#3322	12	12	10	8	4	4	3	2
ESX#3333	12	12	10	8	4	4	3	2
ESX#4040	18	14	12	9	6	4	3	3
ESX#4433	20	18	15	12	8	6	4	4
ESX#5242	44	27	24	21	16	14	10	5
ESX#6348	29	22	20	16	10	7	6	5
ESX#150110	* for further details, please contact our technical sales department							
ESX#200180								

ENCLOSURE CODE]	DRILLING AREA SHORT SIDE							
	QUANTITY ALLOWED ENTRIES FOR SIZE (from 1 to size 8)							
	1	2	3	4	5	6	7	8
ESX#1313	2	2	/	/	/	/	/	/
ESX#1717	3	3	/	/	/	/	/	/
ESX#2216	6	6	4	3	2	2	1	1
ESX#2222	8	8	6	5	3	2	2	1
ESX#3322	8	8	6	5	3	2	2	1
ESX#3333	12	12	10	8	4	4	3	2
ESX#4040	18	14	12	9	6	4	3	3
ESX#4433	14	14	10	8	5	4	3	3
ESX#5242	36	21	18	15	12	11	8	4
ESX#6348	21	16	15	12	7	5	4	3
ESX#150110	* for further details, please contact our technical sales department							
ESX#200180								

**Reference Details**



**REMARK:**

Due to the development of the national and international specifications and of the technology, the above technical characteristics showed on this bulletin can be considered as binding on our confirmation only.







**Installation:** hazardous areas - Zone 1 / 2 (Gases) - Zone 21 / 22 (Dusts)  
**Classification:** Group II - Category 2G 2D



**REFERENCE STANDARDS**

**Directive 2014/34/EU**

EXECUTION	⊗ II 2 G Ex d e ia/ib mb IIC T6...T4 Gb ⊗ II 2 D Ex tb IIIC T85°C...T135°C Db
RULES OF COMPLIANCE	EN/IEC 60079-0; EN/IEC 60079-1; EN/IEC 60079-7; EN/IEC 60079-11; EN/IEC 60079-18; EN/IEC 60079-31
EC Type-Examination Certificate	INERIS 13 ATEX 0041X
PROTECTION DEGREE	IP66
AMBIENT TEMPERATURE	-50°C ÷ +60°C
OTHER AVAILABLE CERTIFICATES	Component: INERIS 13 ATEX 9007U IECEX: IECEX INE 13.0057X IECEX (component): IECEX INE 13.0005U INMETRO: CEPEL 13.2286 INMETRO (component): CEPEL 13.2272U EAC: TC RU C-IT.Г508.B.01468 RINA: ELE137217CS001 RUSSIAN MARINE CERTIFICATE (RMRS): 19.02549.280 NEC 505: UL 20140131-E356725 - Type rating NEMA 1, 12, 4 and 4X

**Mechanical characteristics**

Body	glass fibre reinforced polyester resin
Cover	glass fibre reinforced polyester resin
Screws	external - stainless steel
Internal plate	aluminium sp. 1,5mm
Gasket	silicon rubber
Strenght	4 Joule impact resistance



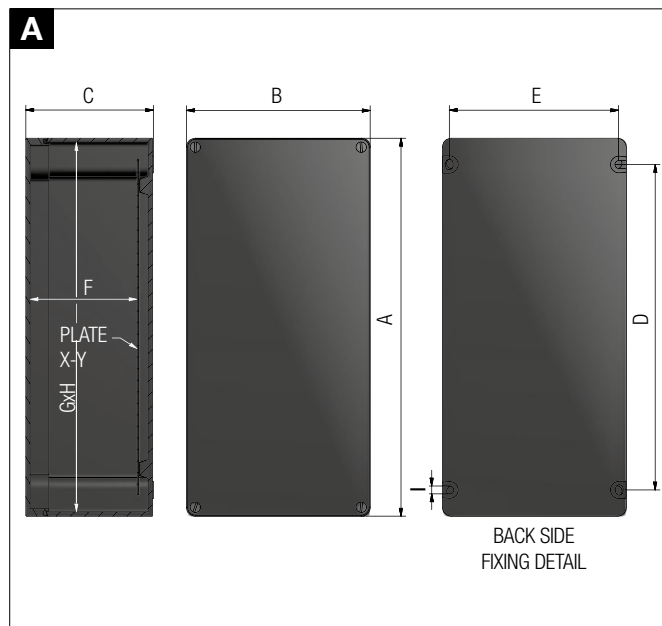
**On Request Accessories:**  
• Drain and breather valves

**Technical Features**

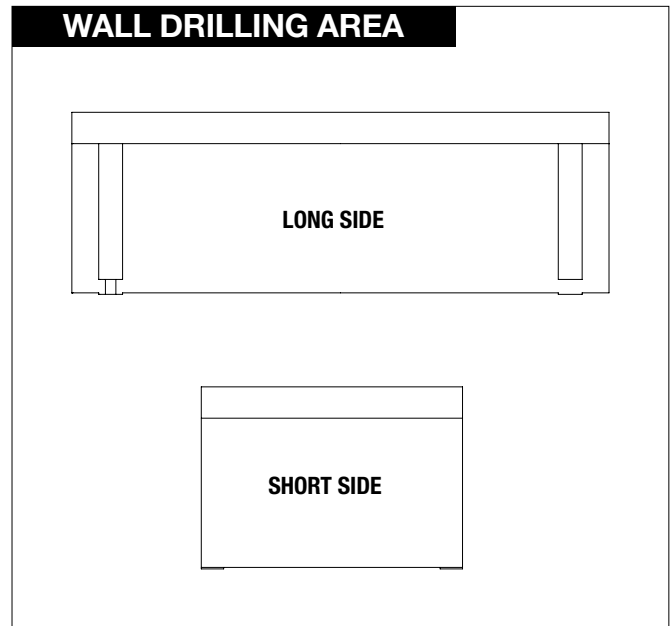
CODE	A [mm]	B [mm]	C [mm]	D [mm]	E [mm]	F [mm]	G [mm]	H [mm]	I [mm]	INT. PLATE X - Y [mm]	WEIGHT [Kg]	DETAIL
AS11(1)	110	110	86	96	96	65	102	102	7	-	0,30	A
AS14(1)	140	140	84	108	110	62	132	132	7	-	0,40	A
AS21(1)	175	85	121	125	72	102	167	77	7	-	0,88	A
AS22(1)	175	175	121	162	125	100	167	167	7	135 - 135	1,25	A
AS42(1)	360	175	121	310	161	102	352	167	7	320 - 135	2,50	A
AS44(1)	360	360	121	346	307	102	352	352	7	320 - 320	3,40	A
AS84(1)	730	360	168	670	340	147	720	350	8	670 - 310	8,00	A

(1) Enclosure's colour: B= Light blue RAL 5015. Example: AS42B. Without indication= Black RAL 9005. Example: AS14

**Reference Details**



**Reference Details**



**Body enclosures indicative maximum quantity of holes of the same size**

ENCLOSURE CODE	DRILLING AREA LONG SIDE							
	QUANTITY ALLOWED ENTRIES FOR SIZE (from 1 to size 8)							
	1	2	3	4	5	6	7	8
AS11	1	1	1	1	-	-	-	-
AS14	2	1	1	1	-	-	-	-
AS21	4	2	2	2	1	1	1	-
AS22	5	3	2	2	1	1	1	-
AS42	12	8	7	5	4	4	3	-
AS44	12	8	7	5	4	4	3	-
AS84	35	23	20	17	13	9	7	5

ENCLOSURE CODE	DRILLING AREA SHORT SIDE							
	QUANTITY ALLOWED ENTRIES FOR SIZE (from 1 to size 8)							
	1	2	3	4	5	6	7	8
AS11	1	1	1	-	-	-	-	-
AS14	2	1	1	1	-	-	-	-
AS21	2	-	-	-	-	-	-	-
AS22	5	3	2	2	1	1	1	-
AS42	5	3	2	2	1	1	1	-
AS44	12	8	7	5	4	4	3	-
AS84	17	11	9	8	6	4	3	2

**Indicative quantity of terminals and relevant section**

CODE ENCLOSURE	SECT. 2,5 [sq/mm]	SECT. 6,0 [sq/mm]	SECT. 10,0 [sq/mm]	SECT. 16,0 [sq/mm]	SECT. 35,0 [sq/mm]	SECT. 50,0 [sq/mm]	SECT. 70,0 [sq/mm]	SECT.240,0 [sq/mm]	INT.PLATE X - Y [mm]
AS11	12 x 1	8 x 1	6 x 1	5 x 1	3 x 1	-	-	-	-
AS14	18 x 1	10 x 1	8 x 1	7 x 1	5 x 1	-	-	-	-
AS21	18 x 1	10 x 1	8 x 1	7 x 1	5 x 1	-	-	-	-
AS22	18 x 2	10 x 2	10 x 1	8 x 1	6 x 1	4 x 1	4 x 1	-	135 - 135
AS42	48 x 2	16 x 2	16 x 2	20 x 1	12 x 1	4 x 1	4 x 1	-	320 - 135
AS44	48 x 2	37 x 2	34 x 2	29 x 2	12 x 2	16 x 1	16 x 1	4 x 1	320 - 320
AS84	92 x 3	74 x 3	68 x 3	58 x 3	32 x 2	32 x 2	32 x 2	14 x 1	670 - 310



**Installation:** hazardous areas - Zone 1 / 2 (Gases) - Zone 21 / 22 (Dusts)

**Classification:** Group II - Category 2G 2D



## REFERENCE STANDARDS

### ATEX-Directive 2014/34/EU / RoHS-Directive 2011/65/EU

EXECUTION	⊗ II 2 G Ex de IIC Gb
	⊗ II 2 D Ex tb IIIC Db (External actuating elements)
	⊗ II 2 G Ex db eb IIC Gb ⊗ I M 2 Ex db eb I Mb (Internal pilot lamp module)
RULES OF COMPLIANCE	⊗ II 2 G Ex db eb ia IIC Gb ⊗ I M 2 Ex db eb ia I Mb (Ex ia internal pilot lamp module)
	⊗ II 2 G Ex db eb IIC Gb ⊗ I M 2 Ex db eb I Mb (Internal switch module with terminals)
EC Type-Examination Certificate	EN/IEC 60079-0; EN/IEC 60079-1; EN/IEC 60079-7; EN/IEC 60079-11; EN/IEC 60079-31
PROTECTION DEGREE	IP66
AMBIENT TEMPERATURE	-20°C ÷ +60°C (Ammeters) -55°C ÷ +60°C (Others)
OTHER AVAILABLE CERTIFICATES	IECEX CML 14.0005U (Actuating elements) IECEX CML 17.0046U (Pilot lamp modules) IECEX LCIE 13.0008U (Ammeters) IECEX CML 17.0045U (Switch modules for push buttons and Control switch modules)
	EAC: TC RU C-DE.BH02.B.00009 (Pilot lamp modules)
	EAC: TC RU C-IT.BH08.B.01324 (Ammeters)
	EAC: TC RU C-DE.GB06.B.00384 (Others)
	EAC: TC RU C-DE.VN02.V.00690/18 (Switch module, 4-pole)


## Mechanical characteristics

PILOT LIGHTS	
Body	thermo plastic
Diffuser / Lens	polycarbonate
Insulating voltage	300V
Operating Voltage	12V ÷ 250V ac
	12V ÷ 60V dc
	12V ÷ 24V ac/dc
	10V ÷ 30V ac/dc (Ex ia pilot lamp module only)


PUSH BUTTONS /SELECTOR SWITCHES	
Body	thermo plastic
Ring	thermo plastic
Operator	thermo plastic
Insulating voltage	690V
Operating Voltage	400V (AC-12) - 400V (AC-15)
	110V (DC-13) - 24V (DC-13)
Conventional Current	16A (Ta = -55°C ÷ +40°C)
	11A (Ta = -55°C ÷ +60°C)


AMMETERS	
Housing	fire retardant plastic
Insulating voltage	690V ac
Working mode	electromagnetic
Accuracy	1,50%
Start up over current	5 times - (other of request)


## Technical data


SPRING RETURN PUSH BUTTON				
HANDLES-DE	COMPLETE OPER. CODE	SINGLE ACTUATING AND MODULE CODES	CONTACT BLOCK	BODY DIAMETER [mm]
	SRPB#11	05-0003-000700 * + 07-3323-4400	1 NO + 1 NC	38
	SRPB#20	05-0003-000700 * + 07-3323-4200	2 NO	38
	SRPB#02	05-0003-000700 * + 07-3323-4100	2 NC	38

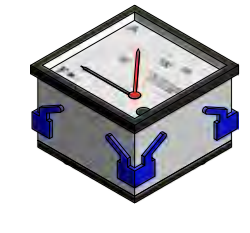
05-0003-000700 \*: 5 labels (red, green, yellow, white, black) included

PULL TO RELEASE MUSHROOM PUSH BUTTON				
HANDLES-DE	COMPLETE OPER. CODE	SINGLE ACTUATING AND MODULE CODES	CONTACT BLOCK	BODY DIAMETER [mm]
	MRPB#11	05-0003-0008 + 07-3323-4400	1 NO + 1 NC	38
	MRPB#20	05-0003-0008 + 07-3323-4200	2 NO	38
	MRPB#02	05-0003-0008 + 07-3323-4100	2 NC	38

KEY-OPERATED CONTROL BUTTON				
HANDLES-DE	COMPLETE OPER. CODE	SINGLE ACTUATING AND MODULE CODES	CONTACT BLOCK	OPERATOR COLOR
	ESPB#04	05-0003-000800 + 05-0091-02F3 + 07-3381-1000	4 NC	38
	ESPB#31	05-0003-000800 + 05-0091-02F3 + 07-3381-2000	1 NO + 3 NC	38
	ESPB#22	05-0003-000800 + 05-0091-02F3 + 07-3381-3000	2 NO + 2 NC	38
	ESPB#13	05-0003-000800 + 05-0091-02F3 + 07-3381-5000	3 NO + 1 NC	38
	ESPB#40	05-0003-000800 + 05-0091-02F3 + 07-3381-4000	4 NO	38


PILOT LIGHT FOR BACK COVER INSTALLATION						
HANDLES-DE	COMPLETE OPER. CODE	SINGLE ACTUATING AND MODULE CODES	EXECUTION	LAMP TYPE	LAMP COLOR	BODY DIAM. [mm]
	PLCI#EXEBBI	05-0003-0016 + 07-3353-4140	Ex db eb	LED	WHITE	38
	PLCI#EXIABI	05-0003-0016 + 07-3353-4440	Ex db eb ia			
	PLCI#EXEBGI	05-0003-0015 + 07-3353-4130	Ex db eb	LED	YELLOW	38
	PLCI#EXIAGI	05-0003-0015 + 07-3353-4430	Ex db eb ia			
	PLCI#EXEBRO	05-0003-0013 + 07-3353-4110	Ex db eb	LED	RED	38
	PLCI#EXIARO	05-0003-0013 + 07-3353-4410	Ex db eb ia			
	PLCI#EXEBVE	05-0003-0014 + 07-3353-4120	Ex db eb	LED	GREEN	38
	PLCI#EXIAVE	05-0003-0014 + 07-3353-4420	Ex db eb ia			
	PLCI#EXEBBL	05-0003-0017 + 07-3353-4150	Ex db eb	LED	BLUE	38
PLCI#EXIABL	05-0003-0017 + 07-3353-4450	Ex db eb ia				

KEY-OPERATED CONTROL BUTTON					
HANDLES-DE	COMPLETE OPER. CODE	SINGLE ACTUATING AND MODULE CODES	CONTACT BLOCK	OPERATOR COLOR	BODY DIAMETER [mm]
	CSEL4#11	05-0003-001200 + 07-3323-4400	1 NO + 1 NC	BLACK	38
	CSEL4#20	05-0003-001200 + 07-3323-4200	2 NO	BLACK	38
	CSEL4#02	05-0003-001200 + 07-3323-4100	2 NC	BLACK	38


AMMETER AND MILLIAMMETER			
HANDLES-DE	CODE	RATED CURRENT	SCALE
	AM1A	40mA	0÷20/40mA
		40mA	4÷20/40mA
		1A	0÷1A
		5A	0÷5A
		X/1A	0...1A; 5A; 10A; 15A; 20A; 25A; 30A; 40A; 60A; 75A; 100A; 150A; 200A; 300A; 500A;
		X/5A	0...1A; 5A; 10A; 15A; 20A; 25A; 30A; 40A; 60A; 75A; 100A; 150A; 200A; 300A; 500A;





**Technical data**

<b>CONTROL SWITCH INSTALLATION MODULE 4 POLE ONLY</b>																																					
HANDLES-DE	CODE	CONTACT	SWITCH (POSITION)																																		
	07-3331-1A01	<table border="1" style="border-collapse: collapse; text-align: center;"> <tr><td></td><td>13</td><td>23</td><td>33</td><td>43</td></tr> <tr><td>0</td><td></td><td></td><td></td><td></td></tr> <tr><td>I</td><td>X</td><td>X</td><td>X</td><td>X</td></tr> <tr><td></td><td>14</td><td>24</td><td>34</td><td>44</td></tr> </table>		13	23	33	43	0					I	X	X	X	X		14	24	34	44															
		13	23	33	43																																
	0																																				
	I	X	X	X	X																																
		14	24	34	44																																
	07-3331-1A02	<table border="1" style="border-collapse: collapse; text-align: center;"> <tr><td></td><td>13</td><td>23</td><td>31</td><td>41</td></tr> <tr><td>0</td><td></td><td></td><td>X</td><td>X</td></tr> <tr><td>I</td><td>X</td><td>X</td><td></td><td></td></tr> <tr><td></td><td>14</td><td>24</td><td>32</td><td>42</td></tr> </table>		13	23	31	41	0			X	X	I	X	X				14	24	32	42															
		13	23	31	41																																
	0			X	X																																
	I	X	X																																		
		14	24	32	42																																
	07-3331-1A03	<table border="1" style="border-collapse: collapse; text-align: center;"> <tr><td></td><td>11</td><td>23</td><td>33</td><td>43</td></tr> <tr><td>0</td><td>X</td><td></td><td></td><td></td></tr> <tr><td>I</td><td></td><td>X</td><td>X</td><td>X</td></tr> <tr><td></td><td>12</td><td>24</td><td>34</td><td>44</td></tr> </table>		11	23	33	43	0	X				I		X	X	X		12	24	34	44															
		11	23	33	43																																
	0	X																																			
I		X	X	X																																	
	12	24	34	44																																	
07-3331-1A04	<table border="1" style="border-collapse: collapse; text-align: center;"> <tr><td></td><td>11</td><td>21</td><td>31</td><td>43</td></tr> <tr><td>0</td><td>X</td><td>X</td><td>X</td><td></td></tr> <tr><td>I</td><td></td><td></td><td></td><td>X</td></tr> <tr><td></td><td>12</td><td>22</td><td>32</td><td>44</td></tr> </table>		11	21	31	43	0	X	X	X		I				X		12	22	32	44																
	11	21	31	43																																	
0	X	X	X																																		
I				X																																	
	12	22	32	44																																	
07-3331-1H05	<table border="1" style="border-collapse: collapse; text-align: center;"> <tr><td></td><td>11</td><td>23</td><td>33</td><td>43</td></tr> <tr><td>0</td><td>X</td><td></td><td></td><td></td></tr> <tr><td>I</td><td></td><td>X</td><td></td><td></td></tr> <tr><td>II</td><td></td><td></td><td>X</td><td></td></tr> <tr><td>III</td><td></td><td></td><td></td><td>X</td></tr> <tr><td></td><td>12</td><td>24</td><td>34</td><td>44</td></tr> </table>		11	23	33	43	0	X				I		X			II			X		III				X		12	24	34	44						
	11	23	33	43																																	
0	X																																				
I		X																																			
II			X																																		
III				X																																	
	12	24	34	44																																	
07-3331-1N01	<table border="1" style="border-collapse: collapse; text-align: center;"> <tr><td></td><td>1</td><td>3</td><td>5</td><td>13</td></tr> <tr><td>0</td><td></td><td></td><td></td><td></td></tr> <tr><td>I</td><td>X</td><td>X</td><td>X</td><td>X</td></tr> <tr><td></td><td>2</td><td>4</td><td>6</td><td>14</td></tr> </table>		1	3	5	13	0					I	X	X	X	X		2	4	6	14																
	1	3	5	13																																	
0																																					
I	X	X	X	X																																	
	2	4	6	14																																	
07-3331-1C06	<table border="1" style="border-collapse: collapse; text-align: center;"> <tr><td></td><td>13</td><td>23</td><td>33</td><td>43</td></tr> <tr><td>0</td><td>X</td><td>X</td><td></td><td></td></tr> <tr><td>I</td><td></td><td></td><td></td><td></td></tr> <tr><td>II</td><td></td><td></td><td>X</td><td>X</td></tr> <tr><td></td><td>14</td><td>24</td><td>34</td><td>44</td></tr> </table>		13	23	33	43	0	X	X			I					II			X	X		14	24	34	44											
	13	23	33	43																																	
0	X	X																																			
I																																					
II			X	X																																	
	14	24	34	44																																	
07-3331-1C07	<table border="1" style="border-collapse: collapse; text-align: center;"> <tr><td></td><td>13</td><td>23</td><td>31</td><td>41</td></tr> <tr><td>0</td><td></td><td></td><td>X</td><td>X</td></tr> <tr><td>I</td><td></td><td></td><td></td><td></td></tr> <tr><td>II</td><td>X</td><td>X</td><td></td><td></td></tr> <tr><td></td><td>14</td><td>24</td><td>32</td><td>42</td></tr> </table>		13	23	31	41	0			X	X	I					II	X	X				14	24	32	42											
	13	23	31	41																																	
0			X	X																																	
I																																					
II	X	X																																			
	14	24	32	42																																	
07-3331-1E08	<table border="1" style="border-collapse: collapse; text-align: center;"> <tr><td></td><td>11</td><td>23</td><td>33</td><td>43</td></tr> <tr><td>0</td><td>X</td><td></td><td></td><td></td></tr> <tr><td>I</td><td></td><td>X</td><td></td><td></td></tr> <tr><td>II</td><td></td><td></td><td>X</td><td>X</td></tr> <tr><td></td><td>12</td><td>24</td><td>34</td><td>44</td></tr> </table>		11	23	33	43	0	X				I		X			II			X	X		12	24	34	44											
	11	23	33	43																																	
0	X																																				
I		X																																			
II			X	X																																	
	12	24	34	44																																	
07-3331-1E09	<table border="1" style="border-collapse: collapse; text-align: center;"> <tr><td></td><td>13</td><td>23</td><td>33</td><td>43</td></tr> <tr><td>0</td><td>X</td><td>X</td><td></td><td></td></tr> <tr><td>I</td><td></td><td></td><td></td><td></td></tr> <tr><td>II</td><td></td><td></td><td>X</td><td>X</td></tr> <tr><td></td><td>14</td><td>24</td><td>34</td><td>44</td></tr> </table>		13	23	33	43	0	X	X			I					II			X	X		14	24	34	44											
	13	23	33	43																																	
0	X	X																																			
I																																					
II			X	X																																	
	14	24	34	44																																	
07-3331-1L01	<table border="1" style="border-collapse: collapse; text-align: center;"> <tr><td></td><td>13</td><td>23</td><td>33</td><td>43</td></tr> <tr><td>0</td><td></td><td></td><td></td><td></td></tr> <tr><td>I</td><td>X</td><td></td><td></td><td></td></tr> <tr><td>II</td><td></td><td>X</td><td></td><td></td></tr> <tr><td>III</td><td></td><td></td><td>X</td><td></td></tr> <tr><td>IV</td><td></td><td></td><td></td><td>X</td></tr> <tr><td></td><td>14</td><td>24</td><td>34</td><td>44</td></tr> </table>		13	23	33	43	0					I	X				II		X			III			X		IV				X		14	24	34	44	
	13	23	33	43																																	
0																																					
I	X																																				
II		X																																			
III			X																																		
IV				X																																	
	14	24	34	44																																	
07-3331-1N02	<table border="1" style="border-collapse: collapse; text-align: center;"> <tr><td></td><td>1</td><td>3</td><td>5</td><td>11</td></tr> <tr><td>0</td><td></td><td></td><td></td><td>X</td></tr> <tr><td>I</td><td>X</td><td>X</td><td>X</td><td></td></tr> <tr><td></td><td>2</td><td>4</td><td>6</td><td>12</td></tr> </table>		1	3	5	11	0				X	I	X	X	X			2	4	6	12																
	1	3	5	11																																	
0				X																																	
I	X	X	X																																		
	2	4	6	12																																	

## Technical data

CONTROL SWITCH OPERATING HANDLE ONLY		
HANDLES-DE	CODE	DESCRIPTION
	05-0003-006301	0-I
	05-0003-006302	I-II
	05-0003-006303	I-O-II
	05-0003-006304	O-I-II
	05-0003-006305	O-I-II-III
	05-0003-006306	O-I-II-III-IV
	05-0003-006309	HAND-O-AUTO

COMPLETE SELECTOR SWICHTH				
HANDLES-DE	COMPLETE OPER.CODE	SINGLE ACTUATING AND MODULE CODES	DIAGRAM CODE	HANDLE DESCRIPTION
 	CSEL1#A001	05-0003-006301 + 07-3331-1A01	A01	0-I
	CSEL1#B001	05-0003-006302 + 07-3331-1A01	A01	I-II
	CSEL1#A002	05-0003-006301 + 07-3331-1A02	A02	0-I
	CSEL1#B002	05-0003-006302 + 07-3331-1A02	A02	I-II
	CSEL1#A003	05-0003-006301 + 07-3331-1A03	A03	0-I
	CSEL1#B003	05-0003-006302 + 07-3331-1A03	A03	I-II
	CSEL1#A004	05-0003-006301 + 07-3331-1A04	A04	0-I
	CSEL1#B004	05-0003-006302 + 07-3331-1A04	A04	I-II
	CSEL1#E005	05-0003-006305 + 07-3331-1H05	H05	0-I-II-III
	CSEL1#A006	05-0003-006301 + 07-3331-1N01	N01	0-I
	CSEL1#B006	05-0003-006302 + 07-3331-1N01	N01	I-II
	CSEL1#C007	05-0003-006303 + 07-3331-1C06	C06	I-O-II
	CSEL1#G007	05-0003-006309 + 07-3331-1C06	C06	HAND-O-AUTO
	CSEL1#D008	05-0003-006304 + 07-3331-1C07	C07	0-I-II
	CSEL1#D009	05-0003-006304 + 07-3331-1E08	E08	0-I-II
	CSEL1#D010	05-0003-006304 + 07-3331-1E09	E09	0-I-II
	CSEL1#F011	05-0003-006306 + 07-3331-1L01	L01	0-I-II-III-IV
CSEL1#A012	05-0003-006301 + 07-3331-1N02	N02	0-I	
CSEL1#B012	05-0003-006302 + 07-3331-1N02	N02	I-II	

## REMARK:

Due to the development of the national and international specifications and of the technology, the above technical characteristics showed on this bulletin can be considered as binding on our confirmation only.



**Installation:** hazardous areas - Zone 1 / 2 (Gases) - Zone 21 / 22 (Dusts)  
**Classification:** Group II - Category 2G 2D



**REFERENCE STANDARDS**

<b>CONTROL STATIONS - ASCS</b>	
<b>Directive 2014/34/EU</b>	
EXECUTION	⊗ II 2 G Ex d e ia/ib mb IIC T6...T4 Gb ⊗ II 2 D Ex tb IIIC T85°C...T135°C Db
RULES OF COMPLIANCE	EN/IEC 60079-0; EN/IEC 60079-1; EN/IEC 60079-7; EN/IEC 60079-11; EN/IEC 60079-18; EN/IEC 60079-31
EC Type-Examination Certificate	INERIS 13 ATEX 0041X
PROTECTION DEGREE	IP66
AMBIENT TEMPERATURE	-50°C ÷ +60°C
OTHER AVAILABLE CERTIFICATES	Component: INERIS 13 ATEX 9007U IECEx: IECEx INE 13.0057X IECEx (component): IECEx INE 13.0005U INMETRO: CEPEL 13.2286 INMETRO (component): CEPEL 13.2272U EAC: TC RU C-IT.Г508.B.01468 RINA: ELE137217CS001 NEC 505: UL 20140131-E356725 - Type rating NEMA 1, 12, 4 and 4X

<b>CONTROL STATIONS - ESACS - ESXCS</b>	
<b>Directive 2014/34/EU</b>	
EXECUTION	⊗ II 2 G Ex e IIB or IIC T6 ÷ T3 Gb ⊗ II 2 D Ex tb IIIC T85°C ÷ T200°C Db
RULES OF COMPLIANCE	EN/IEC 60079-0; EN/IEC 60079-1; EN/IEC 60079-7; EN/IEC 60079-11; EN/IEC 60079-18; EN/IEC 60079-31
EC Type-Examination Certificate	INERIS 03 ATEX 0027X
PROTECTION DEGREE	IP66
AMBIENT TEMPERATURE	-60°C ÷ +60°C
OTHER AVAILABLE CERTIFICATES	Component: INERIS 13 ATEX 9027U IECEx: IECEx INE 11.0014X INMETRO: CEPEL 12.2158 EAC: TC RU C-IT.Г508.B.01468 RINA: ELE137217CS001 RUSSIAN MARINE CERTIFICATE (RMRS): 19.02549.280 NEC 505: UL 20140131-E356725 Type rating NEMA 1, 12, 4 and 4X Kc (Korean certification): 14-KB4B0-0450 and 14-KB4B0-0452

<b>Mechanical characteristics - ASCS</b>	
Body	glass fibre reinforced polyester resin color dark grey RAL 7021
Cover	glass fibre reinforced polyester resin color dark grey RAL 7021
Screws	stainless steel
Internal plate	stainless steel - aluminium
Gasket	silicon
Strenght	4 Joule impact resistance

<b>Mechanical characteristics - ESXCS</b>	
Body	stainless steel AISI 316l sp. 1,5mm
Cover	stainless steel AISI 316l sp. 1,5mm
Screws	stainless steel AISI 316L
Internal plate	stainless steel AISI 316L
Gasket	silicon
Strenght	4 Joule impact resistance

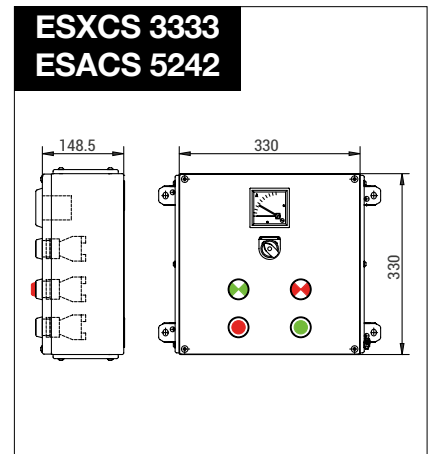
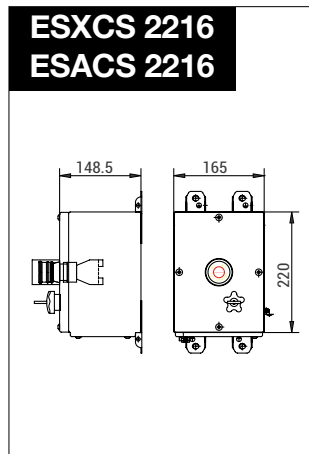
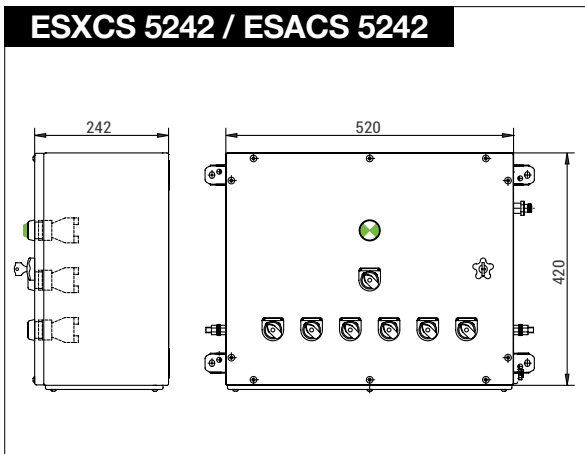
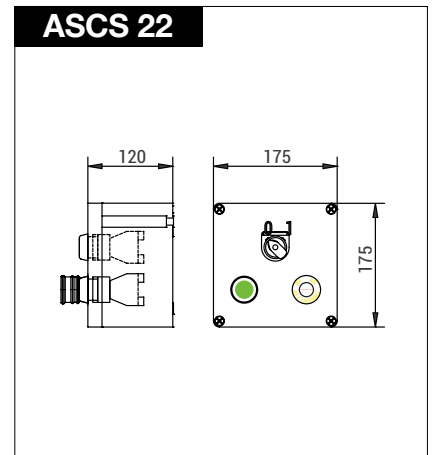
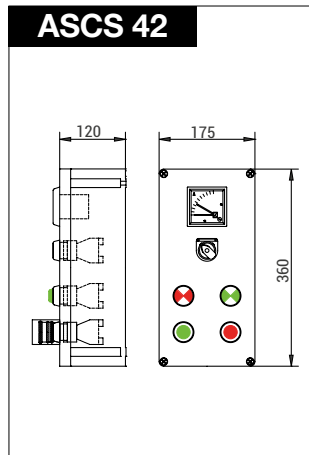
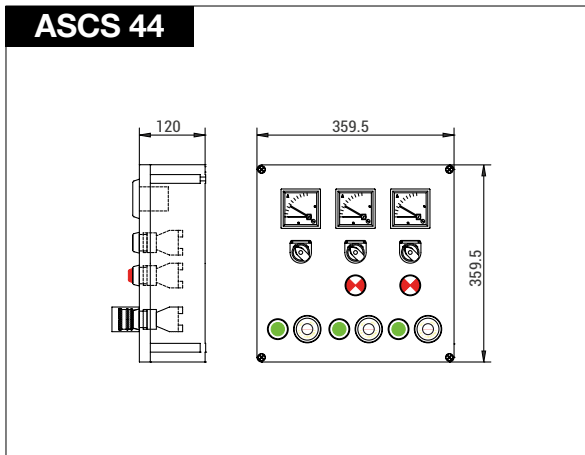
<b>Mechanical characteristics - ESACS</b>	
Body	marine grade copper free aluminium light alloy
Cover	marine grade copper free aluminium light alloy
Screws	stainless steel
Internal plate	aluminium
Gasket	silicon rubber
Strenght	4 Joule impact resistance



- On Request Accessories:**
- External epoxy painting with colour on request
  - Internal anticondensate painting orange RAL 2004 (ESX)
  - Drain and breather valves
  - Removable flanges (only stainless steel enclosures)



Typical installation



REMARK:

Due to the development of the national and international specifications and of the technology, the above technical characteristics showed on this bulletin can be considered as binding on our confirmation only.



**Installation:** Safe Areas

**Classification:** IP66



**REFERENCE STANDARDS**

**ENCLOSURE**

EXECUTION	INDUSTRIAL WEATHERPROOF
RULES OF COMPLIANCE	EN 60529
EC Type-Examination Certificate	-
PROTECTION DEGREE	IP66
AMBIENT TEMPERATURE	-60°C ÷ +60°C

**Mechanical characteristics**

Body	marine grade copper free aluminium light alloy
Cover	marine grade copper free aluminium light alloy
Screws	stainless steel
Internal plate	aluminium
Gasket	silicon rubber



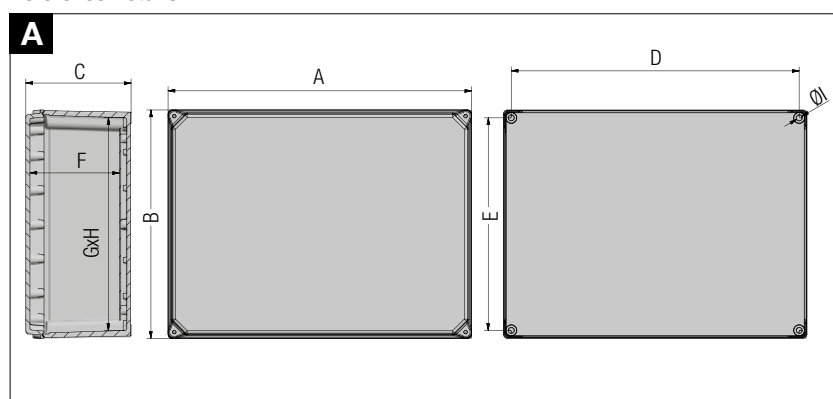
**On Request Accessories:**

- External epoxy painting with colour on request
- Internal anticondensate painting orange RAL-2004
- Drain and breather valves

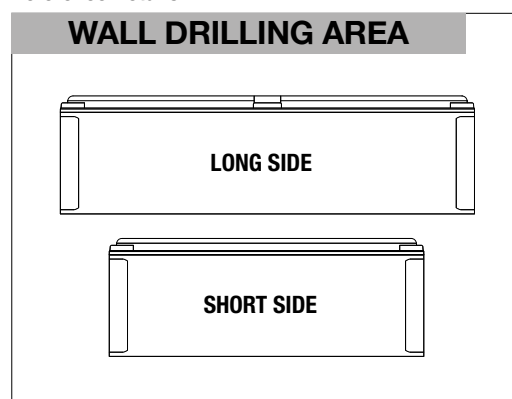
**Tehchnical Features**

CODE	A [mm]	B [mm]	C [mm]	D [mm]	E [mm]	F [mm]	G [mm]	H [mm]	I [mm]	INT.PLATE X - Y [mm]	WEIGHT [Kg]	DETAIL
ES1313A	130	130	87	115	115	70	112	112	6	110 - 70	1,20	A
ES1717A	170	170	97	155	155	81	151	151	6	150 - 150	1,50	A
ES2216A	220	160	96	205	145	80	141	201	6	200 - 100	3,80	A
ES2222A	220	220	112	205	205	95	201	201	6	200 - 200	4,40	A
ES3322A	330	220	123	310	200	103	201	311	8	294 - 154	6,40	A
ES3333A	330	330	131	310	310	111	311	311	8	290 - 290	8,80	A
ES4433A	440	330	154	420	310	131	311	421	8	400 - 290	11,40	A
ES5242A	520	420	183	496	394	159	398	499	8	460 - 370	20,20	A
ES6348A	630	480	181	615	465	156	459	609	8	550 - 400	21,30	A

**Reference Details**



**Reference Details**



**Body enclosures indicative maximum quantity of holes of the same size**

ENCLOSURE CODE	DRILLING AREA LONG SIDE							
	QUANTITY ALLOWED ENTRIES FOR SIZE (from 1 to size 8)							
	1	2	3	4	5	6	7	8
ES1313A	2	1	1	1	/	/	/	/
ES1717A	5	3	2	2	2	1	/	/
ES2216A	6	3	3	3	2	2	/	/
ES2222A	9	5	3	3	3	2	2	/
ES3322A	12	7	6	5	4	3	3	/
ES3333A	12	7	6	5	4	3	2	/
ES4433A	20	14	12	12	6	5	3	/
ES5242A	30	18	16	12	12	8	4	3
ES6348A	36	24	18	16	12	10	6	4

ENCLOSURE CODE	DRILLING AREA SHORT SIDE							
	QUANTITY ALLOWED ENTRIES FOR SIZE (from 1 to size 8)							
	1	2	3	4	5	6	7	8
ES1313A	2	1	1	1	/	/	/	/
ES1717A	5	3	2	2	2	1	/	/
ES2216A	4	2	2	2	1	1	/	/
ES2222A	8	5	3	3	3	2	2	/
ES3322A	8	5	4	4	3	2	2	/
ES3333A	12	7	6	5	4	3	2	/
ES4433A	14	10	8	8	4	3	2	/
ES5242A	28	18	14	11	10	7	4	1
ES6348A	30	21	15	12	10	8	4	3

**Indicative quantity of terminals and relevant section**

CODE ENCLOSURE	SECT. 2,5 [sq/mm]	SECT. 6,0 [sq/mm]	SECT. 10,0 [sq/mm]	SECT. 16,0 [sq/mm]	SECT. 35,0 [sq/mm]	SECT. 50,0 [sq/mm]	SECT. 70,0 [sq/mm]	SECT.240,0 [sq/mm]	NT.PLATE X - Y [mm]
ES1313A	10 x 1	5 x 1	4 x 1	4 x 1	3 x 1	2 x 1	1 x 1	/	112 - 70
ES1717A	20 x 1	10 x 1	8 x 1	8 x 1	6 x 1	3 x 1	2 x 1	1 x 1	150 - 150
ES2216A	30 x 1	18 x 1	14 x 1	10 x 1	8 x 1	3 x 1	2 x 1	1 x 1	200 - 100
ES2222A	26 x 1	16 x 1	12 x 1	10 x 1	8 x 1	4 x 1	2 x 1	2 x 1	200 - 200
ES3322A	46 x 1	26 x 1	22 x 1	18 x 1	14 x 1	10 x 1	6 x 1	2 x 1	294 - 154
ES3333A	46 x 2	24 x 2	22 x 2	16 x 2	14 x 2	10 x 1	8 x 1	3 x 1	290 - 290
ES4433A	70 x 2	40 x 2	32 x 2	26 x 2	20 x 2	14 x 2	10 x 1	4 x 1	400 - 290
ES5242A	70 x 3	44 x 3	34 x 3	30 x 3	22 x 3	18 x 2	14 x 1	6 x 1	460 - 370
ES6348A	120 x 3	76 x 3	60 x 3	50 x 3	34 x 3	30 x 2	24 x 1	12 x 1	550 - 400

**REMARK:**

Due to the development of the national and international specifications and of the technology, the above technical characteristics showed on this bulletin can be considered as binding on our confirmation only.

