



FITTINGS

FITTINGS INDEX

STANDARD LOCATIONS



K-Pak®
Shelf Cartons.....2



Duraloy® 7 Series
Aluminum or Iron Conduit Bodies 3-9



Duraloy® 8 Series
Iron Conduit Bodies 10-14



O Series / Duraloy® 5 Series
Aluminum or Malleable Iron
Conduit Bodies 15-19



CO & Two Series
Aluminum Conduit Bodies 20-22



MO/MOL/NECLB Series
Aluminum or Iron Mogul
Conduit Bodies 23-26



SLB/SLBM/SOLB/MLB Series
Service Entrance 27



WH Series
Conduit Hubs..... 28-29



CL/CLM/TWCL Series
Pulling Elbow, Duct Seal 30



FB/STFB Series
Service Entrance 31



F Series
Cast Device Boxes 32-40
Covers, Accessories 41-43



FSQ/FDQ Series
Custom Drilled & Tapped Device Boxes ... 40
Covers, Accessories 41-43



VJ Series
Outlet Boxes 44



Malleable Iron-Insulated Grounding
Bushings 45

HAZARDOUS LOCATIONS



ENY/EY/EYS/EYD Series
Sealing Fittings 46-51
Sealing Materials 52-53





FITTINGS INDEX

HAZARDOUS LOCATIONS



ENY40/EYD40 Series
40% Fill Sealing Fittings51



GEB/GE Series
Aluminum and Iron Outlet Bodies..... 54-62



GR Series
Outlet Bodies.....63-65



X/XALB Series
Conduit Bodies 66



JL/JAL Series
Outlet Bodies..... 67



GU/UN Series
Unions68-69



UNF/UNY Series
Expansion Conduit Unions.....70



PLUG/CUP/AN Series
Threaded Insert Plugs,
Rigid Conduit Nipples 71-75



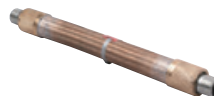
KDB/KB/KDE Series
Drains and Breathers,
Flame Arrestors..... 76-78



R/RE/ADUP Series
Reducing Bushings and Adapters.....79-80



ELBOWS 81-82



ECF/EKJ Series
Bronze Flexible Couplings 83



ECFUF/EKJUF Series
Bronze Flexible Couplings with Female
Steel Unions 84



EKJ Series
Stainless Steel Flexible Couplings85-86



FITTINGS

FITTINGS INDEX

CONNECTORS – STANDARD / HAZARDOUS LOCATIONS



K Series
Liquidtight Connectors 87-89



Z Series
Aluminum & Steel/Malleable Iron Cord
Connectors 90-94
Increased Safety Cord Connectors.... 96-100



Z Series
Nylon Cord Connectors..... 95
Increased Safety Cord Connectors.... 96-100



CTCA Series
Connectors for Tray Cable 101



CMCA/MC Series
Metal Clad Cable Connectors..... 102-103



CMCXA/MCX Series
Hazardous Location
Metal Clad Cable Connectors..... 104-105



SWZ/LZN Series
Sealing Washers, Locknuts 106



ZHLN Series
Increased Safety Locknuts 106



PCC/ECC/RACC Series
Conduit Clamps..... 107

Notes 108



K-PAK

KILLARK

K-PAK SHELF CARTONS



FEATURES-SPECIFICATIONS

K-PAK®

K-PAK® packaging enables Killark distributors to feature fast-moving products in counter display areas.

Killark's best selling standard location products have been repackaged into smaller shelf packs for effective product family presentation.

The uniformly sized (width and height are consistent) cartons allow items to be merchandised on a typical 48" w x 54" H x 18" gondola unit (not supplied by Killark).

Features/Benefits

- Cartons are suitable for counter merchandising display and/or warehouse storage.
- Open-top bin box displays products for easy customer self-service.
- All cartons are bar coded for easy electronic identification.
- Conduit bodies are packaged with appropriate covers and gaskets.

K-PAK Carton Dimensions

Full depth cartons:

6" W x 81/2" H x 15" D

Half depth cartons:

6" W x 81/2" H x 71/2" D

Display face (width & height) same for all cartons.

O FITTINGS		
CATALOG NUMBER	DESCRIPTION	PKG QTY.
OC-1CG	1/2" C w/cover & gasket	40
OC-2CG	3/4" C w/cover & gasket	25
OC-3CG	1" C w/cover & gasket	20
OC-4CG	1-1/4" C w/cover & gasket	8
OC-5CG	1-1/2" C w/cover & gasket	8
OC-6CG	2" C w/cover & gasket	3
OLB-1CG	1/2" LB w/cover & gasket	40
OLB-2CG	3/4" LB w/cover & gasket	25
OLB-3CG	1" LB w/cover & gasket	15
OLB-4CG	1-1/4" LB w/cover & gasket	8
OLB-5CG	1-1/2" LB w/cover & gasket	5
OLB-6CG	2" LB w/cover & gasket	3
OLB-7CG	2-1/2" LB w/cover & gasket	1
OLB-8CG	3" LB w/cover & gasket	1
OLB-9CG	3-1/2" LB w/cover & gasket	1
OLB-0CG	4" LB w/cover & gasket	1
OLL-1CG	1/2" LL w/cover & gasket	40
OLL-2CG	3/4" LL w/cover & gasket	25
OLL-3CG	1" LL w/cover & gasket	15
OLL-4CG	1-1/4" LL w/cover & gasket	8
OLL-5CG	1-1/2" LL w/cover & gasket	8
OLL-6CG	2" LL w/cover & gasket	3
OLR-1CG	1/2" LR w/cover & gasket	40
OLR-2CG	3/4" LR w/cover & gasket	25
OLR-3CG	1" LR w/cover & gasket	15
OLR-4CG	1-1/4" LR w/cover & gasket	8
OLR-5CG	1-1/2" LR w/cover & gasket	8
OLR-6CG	2" LR w/cover & gasket	3
OT-1CG	1/2" T w/cover & gasket	30
OT-2CG	3/4" T w/cover & gasket	25
OT-3CG	1" T w/cover & gasket	15
OT-4CG	1-1/4" T w/cover & gasket	8
OT-5CG	1-1/2" T w/cover & gasket	8
OT-6CG	2" T w/cover & gasket	2

SLB FITTINGS		
CATALOG NUMBER	DESCRIPTION	PKG QTY.
SLB-1-CP	1/2" Service entrance LB	50
SLB-2-CP	3/4" Service entrance LB	25
SLB-3-CP	1" Service entrance LB	25

CO FITTINGS*		
CATALOG NUMBER	DESCRIPTION	PKG QTY.
COC-1CG	1/2" C w/cover & gasket	10
COC-2CG	3/4" C w/cover & gasket	10
COC-3CG	1" C w/cover & gasket	5
COLB-1CG	1/2" LB w/cover & gasket	10
COLB-2CG	3/4" LB w/cover & gasket	10
COLB-3CG	1" LB w/cover & gasket	5
COLL-1CG	1" L w/cover & gasket	10
COLL-2CG	2" L w/cover & gasket	10
COLL-3CG	3" L w/cover & gasket	5
COLR-1CG	1/2" LR w/cover & gasket	10
COLR-2CG	3/4" LR w/cover & gasket	10
COLR-3CG	1" LR w/cover & gasket	5
COT-1CG	1/2" LR w/cover & gasket	10
COT-2CG	3/4" LR w/cover & gasket	10
COT-3CG	1" LR w/cover & gasket	5

* For additional sizes see pages F20 - F22

FS/FD BACK BOXES/COVERS		
CATALOG NUMBER	DESCRIPTION	PKG QTY.
1FA-CP	Duplex cover	50
1FT-CP	Toggle cover	50
FCLA-CP	Duplex cover	25
FDC-1-CP	1/2" FDC box	10
FDC-2-CP	3/4" FDC box	10
FD-1-CP	1/2" FD box	10
FD-2-CP	3/4" FD box	10
FSBC-CP	Blank cover	50
FSC-1-CP	1/2" FSC box	15
FSC-2-CP	3/4" FSC box	15
FST-CP	Cover	25
FS-1-CP	1/2" FS box	20
FS-2-CP	3/4" FS box	20

WH WEATHERPROOF HUBS		
CATALOG NUMBER	DESCRIPTION	PKG QTY.
WH-1	1/2" Conduit hub	25
WH-2	3/4" Conduit hub	25
WH-3	1" Conduit hub	25

FITTINGS

DURALOY® 7 SERIES



ALUMINUM OR IRON CONDUIT BODIES



LR Type

- Suitable for wet locations when used with gasketed covers.
- Federal Specification W-C-586D/A-A 50563.
- Suitable for use in hazardous location applications when installed according to NEC Articles 501.10(b), Class I, Div. 2, (Suitable for use in Class I Zone 2 applications) 502.10 and 503.10.

UL LISTED File No. E3397

SF Certified File No. LR11852

FEATURES-SPECIFICATIONS

DURALOY® 7

Applications

To provide access to conductors for pulling, splicing, and maintenance. Threaded for rigid conduit and IMC.

Features

- Intermateability UL Listed and CSA Certified interchangeability with competitive products
- Enhanced sealing capabilities neoprene sealing gaskets provide a NEMA 3 Seal
- High-quality sealing hardware 316 stainless steel cover screws and washers with neoprene gaskets
- Suitable for wet locations when used with gaskets
- Innovative spring clip design for installation ease and repeat usage
- Smooth integral wire bushings protects cable from damage when wires are pulled through opening
- For use with threaded rigid conduit steel or aluminum
- Ten standard hub configurations
- Flat-back design for greater wiring capacity and mounting stability

Material/Finish

Aluminum

- Copper-free aluminum (less than 4/10 of 1%)
- Electrostatically applied powder coating

Duraloy Iron

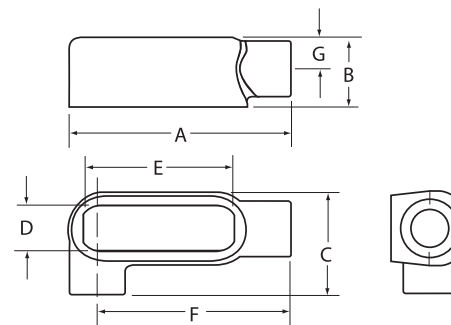
- Duraloy gray iron alloy
- Superior corrosion protection tri-coat finish of electrozinc, chromate sealant and electrostatically applied powder coating.

LR TYPE CONDUIT BODY*										
CATALOG NUMBER		HUB SIZE	DIMENSIONS							VOLUME CU. IN.
KILLARK ALUM.	DURALOY IRON		A	B	C	D	E	F	G	
LR17SA	LR17	1/2"	4-11/16" (119)	1-7/16" (37)	2-5/16" (59)	1" (25)	3-3/16" (81)	4-1/16" (103)	5/8" (16)	4.0
LR27SA	LR27	3/4"	5-3/8" (137)	1-11/16" (43)	2-5/8" (67)	1-1/8" (29)	3-13/16" (97)	4-5/8" (117)	3/4" (19)	7.0
LR37SA	LR37	1"	6-5/16" (160)	1-7/8" (48)	3-1/16" (78)	1-3/8" (35)	4-1/2" (114)	5-3/8" (137)	7/8" (22)	11.0
LR47SA	LR47	1-1/4"	6-13/16" (173)	2-5/16" (59)	3-1/2" (89)	1-13/16" (46)	5" (127)	5-3/4" (146)	1-1/8" (29)	19.5
LR57SA	LR57	1-1/2"	7-1/4" (184)	2-9/16" (65)	3-11/16" (94)	2-1/16" (52)	5-7/16" (138)	6-1/16" (154)	1-1/4" (32)	26.0
LR67SA	LR67	2"	8-1/4" (210)	3-1/8" (79)	4-1/4" (108)	2-5/8" (67)	6-3/8" (162)	6-3/4" (171)	1-1/2" (38)	48.0
LR77SA	LR77	2-1/2"	10-15/16" (278)	4-3/8" (111)	6-3/16" (157)	3-7/8" (98)	8-3/8" (213)	8-3/4" (222)	2-1/8" (54)	131.5
LR87SA	LR87	3"	10-15/16" (278)	4-3/8" (111)	6-3/16" (157)	3-7/8" (98)	8-3/8" (213)	8-3/4" (222)	2-1/8" (54)	131.5
LR97SA	LR97	3-1/2"	13" (330)	5-3/8" (137)	7-1/4" (184)	4-3/4" (121)	10-1/4" (260)	10-5/16" (262)	2-5/8" (67)	238.0
LR107SA	LR107	4"	13" (330)	5-3/8" (137)	7-1/4" (184)	4-3/4" (121)	10-1/4" (260)	10-5/16" (262)	2-5/8" (67)	238.0

* For conduit body packaged with cover and gasket, add CG to the catalog number.

** For other finishes contact factory.

Dimensions



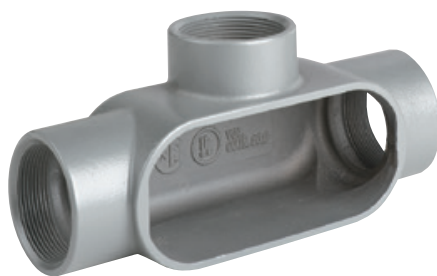
LR Type



ALUMINUM OR IRON CONDUIT BODIES



L Type[Ⓢ]



T Type

- Suitable for wet locations when used with gasketed covers.
- Federal Specification W-C-586D/A-A 50563.
- Suitable for use in hazardous location applications when installed according to NEC Articles 501.10(b), Class I, Div. 2, (Suitable for use in Class I Zone 2 applications) 502.10 and 503.10.

UL LISTED File No. E3397

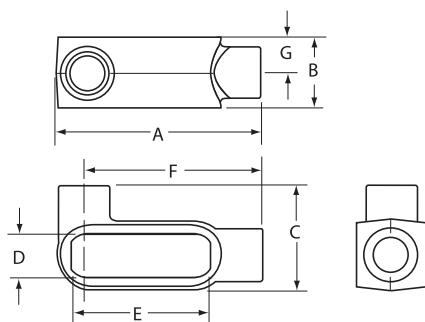
SF Certified File No. LR11852

FEATURES-SPECIFICATIONS

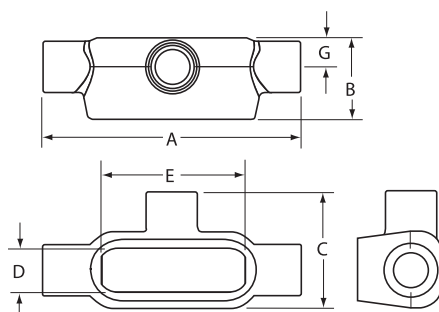
DURALOY⁷

See page F3 for Standard Materials & Finish

Dimensions



L Type



T Type

L TYPE [Ⓢ] CONDUIT BODY*										
CATALOG NUMBER	HUB SIZE	DIMENSIONS								VOLUME CU. IN.
		KILLARK ALUM.	DURALOY IRON	A	B	C	D	E	F	
L17SA	L17	1/2"	4-11/16" (119)	1-7/16" (37)	2-5/16" (59)	1" (25)	3-3/16" (81)	4-1/16" (103)	5/8" (16)	4.0
L27SA	L27	3/4"	5-3/8" (137)	1-11/16" (43)	2-5/8" (67)	1-1/8" (29)	3-13/16" (97)	4-5/8" (117)	3/4" (19)	7.0
L37SA	L37	1"	6-5/16" (160)	1-7/8" (48)	3-1/16" (78)	1-3/8" (35)	4-1/2" (114)	5-3/8" (137)	7/8" (22)	11.0
L47SA	L47	1-1/4"	6-13/16" (173)	2-5/16" (59)	3-1/2" (89)	1-13/16" (46)	5" (127)	5-3/4" (146)	1-1/8" (29)	19.5
L57SA	L57	1-1/2"	7-1/4" (184)	2-9/16" (65)	3-11/16" (94)	2-1/16" (52)	5-7/16" (138)	6-1/16" (154)	1-1/4" (32)	26.0
L67SA	L67	2"	8-1/4" (210)	3-1/8" (79)	4-1/4" (108)	2-5/8" (67)	6-3/8" (162)	6-3/4" (171)	1-1/2" (38)	48.0
L77SA	L77	2-1/2"	10-15/16" (278)	4-3/8" (111)	6-3/16" (157)	3-7/8" (98)	8-3/8" (213)	8-3/4" (222)	2-1/8" (54)	131.5
L87SA	L87	3"	10-15/16" (278)	4-3/8" (111)	6-3/16" (157)	3-7/8" (98)	8-3/8" (213)	8-3/4" (222)	2-1/8" (54)	131.5

Ⓢ L type is double faced and may be used as LL or LR. Has 2 openings, one of which is furnished with a blank sheet cover.

T TYPE CONDUIT BODY*										
CATALOG NUMBER	HUB SIZE	DIMENSIONS								VOLUME CU. IN.
		KILLARK ALUM.	DURALOY IRON	A	B	C	D	E	F	
T17SA	T17	1/2"	5-11/16" (000)	1-13/16" (46)	2-1/2" (64)	1" (25)	3-3/16" (81)	—	5/8" (16)	6.2
T27SA	T27	3/4"	6-5/16" (000)	2-1/16" (52)	2-3/4" (67)	1-1/8" (29)	3-13/16" (97)	—	3/4" (19)	9.5
T37SA	T37	1"	7-5/8" (194)	2-1/4" (57)	3-1/4" (83)	1-3/8" (35)	4-1/2" (114)	—	7/8" (22)	11.5
T47SA	T47	1-1/4"	8" (203)	2-5/16" (59)	3-1/2" (89)	1-13/16" (46)	5" (127)	—	1-1/8" (29)	20.0
T57SA	T57	1-1/2"	8-7/16" (214)	2-9/16" (65)	3-11/16" (94)	2-1/16" (52)	5-7/16" (138)	—	1-1/4" (32)	27.0
T67SA	T67	2"	9-7/16" (240)	3-1/8" (79)	4-1/4" (108)	2-5/8" (67)	6-3/8" (162)	—	1-1/2" (38)	50.0
T77SA	T77	2-1/2"	12-3/4" (324)	4-3/8" (111)	6-3/16" (157)	3-7/8" (98)	8-3/8" (213)	—	2-1/8" (54)	134.0
T87SA	T87	3"	12-3/4" (324)	4-3/8" (111)	6-3/16" (157)	3-7/8" (98)	8-3/8" (213)	—	2-1/8" (54)	134.0
T97SA	T97	3-1/2"	14-7/8" (378)	5-3/8" (137)	7-1/4" (184)	4-3/4" (121)	10-1/4" (260)	—	2-5/8" (67)	238.0
T107SA	T107	4"	14-7/8" (378)	5-3/8" (137)	7-1/4" (184)	4-3/4" (121)	10-1/4" (260)	—	2-5/8" (67)	238.0

* For conduit body packaged with cover and gasket, add CG to the catalog number.

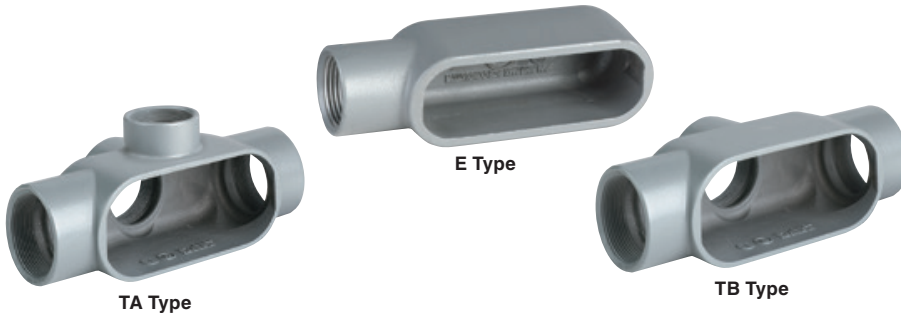
** For other finishes contact factory.

FITTINGS

DURALOY® 7 SERIES



ALUMINUM OR IRON CONDUIT BODIES



- Suitable for wet locations when used with gasketed covers.
- Federal Specification W-C-586D/A-A 50563.
- Suitable for use in hazardous location applications when installed according to NEC Articles 501.10(b), Class 1, Div. 2, (Suitable for use in Class 1 Zone 2 applications) 502.10 and 503.10.

UL LISTED File No. E3397

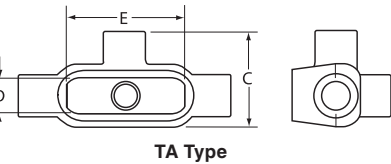
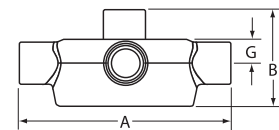
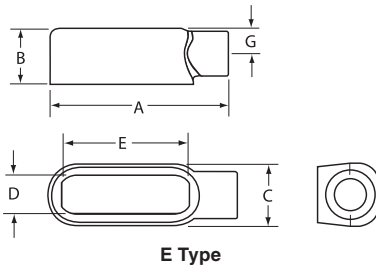
SP Certified File No. LR11852

FEATURES-SPECIFICATIONS

DURALOY® 7

See page F3 for Standard Materials & Finish

Dimensions



E TYPE CONDUIT BODY*										
CATALOG NUMBER		HUB SIZE	DIMENSIONS						VOLUME CU. IN.	
KILLARK ALUM.	DURALOY IRON		A	B	C	D	E	F		G
E17SA	E17	1/2"	4-11/16" (119)	1-7/16" (37)	1-1/2" (38)	1" (25)	3-3/16" (81)	—	5/8" (16)	4.0
E27SA	E27	3/4"	5-3/8" (137)	1-11/16" (43)	1-3/4" (67)	1-1/8" (29)	3-13/16" (97)	—	3/4" (19)	7.0
E37SA	E37	1"	6-5/16" (160)	1-7/8" (48)	1-15/16" (49)	1-3/8" (35)	4-1/2" (114)	—	7/8" (22)	11.0

TA TYPE CONDUIT BODY*										
CATALOG NUMBER		HUB SIZE	DIMENSIONS						VOLUME CU. IN.	
KILLARK ALUM.	DURALOY IRON		A	B	C	D	E	F		G
TA17SA	TA17	1/2"	5-11/16" (144)	2-5/8" (67)	2-1/2" (64)	1" (25)	3-3/16" (81)	—	5/8" (16)	6.2
TA27SA	TA27	3/4"	6-5/16" (160)	2-7/8" (73)	2-3/4" (67)	1-1/8" (29)	3-13/16" (97)	—	3/4" (19)	9.5
TA37SA	TA37	1"	7-5/8" (194)	3-3/8" (86)	3-1/4" (000)	1-3/8" (35)	4-1/2" (114)	—	7/8" (22)	15.5
TA47SA	TA47	1-1/4"	8" (203)	3-1/2" (89)	3-1/2" (89)	1-13/16" (46)	5" (127)	—	1-1/8" (000)	20.0
TA57SA	TA57	1-1/2"	8-7/16" (214)	3-3/4" (95)	3-11/16" (94)	2-1/16" (52)	5-7/16" (138)	—	1-1/4" (32)	27.0
TA67SA	TA67	2"	9-7/16" (240)	4-5/16" (110)	4-1/4" (108)	2-5/8" (67)	6-3/8" (162)	—	1-1/2" (38)	50.0

TB TYPE CONDUIT BODY*										
CATALOG NUMBER		HUB SIZE	DIMENSIONS						VOLUME CU. IN.	
KILLARK ALUM.	DURALOY IRON		A	B	C	D	E	F		G
TB17SA	TB17	1/2"	5-11/16" (144)	2-5/8" (67)	1-11/16" (43)	1" (25)	3-3/16" (81)	—	5/8" (16)	6.2
TB27SA	TB27	3/4"	6-5/16" (160)	2-7/8" (73)	1-7/8" (67)	1-1/8" (29)	3-13/16" (97)	—	3/4" (19)	9.5
TB37SA	TB37	1"	7-5/8" (194)	3-3/8" (86)	3-3/8" (86)	1-3/8" (35)	4-1/2" (114)	—	7/8" (22)	15.5
TB47SA	TB47	1-1/4"	8" (203)	3-1/2" (89)	3-1/2" (89)	1-13/16" (46)	5" (127)	—	1-1/8" (29)	20.0
TB57SA	TB57	1-1/2"	8-7/16" (214)	3-3/4" (95)	3-3/4" (95)	2-1/16" (52)	5-7/16" (138)	—	1-1/4" (32)	27.0
TB67SA	TB67	2"	9-7/16" (240)	4-5/16" (110)	4-5/16" (110)	2-5/8" (67)	6-3/8" (162)	—	1-1/2" (38)	50.0

* For conduit body packaged with cover and gasket, add CG to the catalog number.

** For other finishes contact factory.



ALUMINUM OR IRON CONDUIT BODIES



X Type



C Type

- Suitable for wet locations when used with gasketed covers.
- Federal Specification W-C-586D/A-A 50563.
- Suitable for use in hazardous location applications when installed according to NEC Articles 501.10(b), Class 1, Div. 2, (Suitable for use in Class I Zone 2 applications) 502.10 and 503.10.

UL LISTED File No. E3397

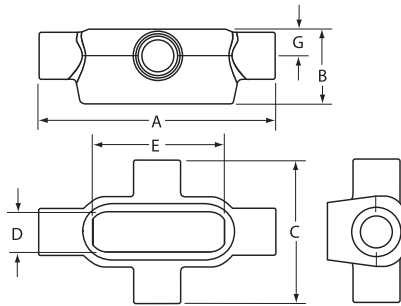
SF Certified File No. LR11852

FEATURES-SPECIFICATIONS

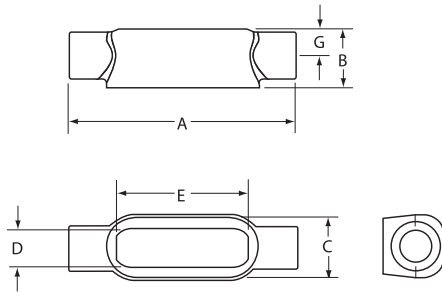
DURALOY® 7

See page F3 for Standard Materials & Finish

Dimensions



X Type



C Type

X TYPE CONDUIT BODY*										
CATALOG NUMBER KILLARK ALUM.	DURALOY IRON	HUB SIZE	DIMENSIONS							VOLUME CU. IN.
			A	B	C	D	E	F	G	
X17SA	X17	1/2"	5-11/16" (144)	1-3/8" (35)	3-3/8" (86)	1" (25)	3-3/16" (81)	—	5/8" (16)	6.2
X27SA	X27	3/4"	6-5/16" (160)	2-1/16" (52)	3-9/16" (67)	1-1/8" (29)	3-13/16" (97)	—	3/4" (19)	9.5
X37SA	X37	1"	7-5/8" (194)	2-1/4" (57)	4-3/8" (111)	1-3/8" (35)	4-1/2" (114)	—	7/8" (22)	15.5
X47SA	X47	1-1/4"	8" (203)	2-5/16" (59)	4-11/16" (000)	1-13/16" (46)	5" (127)	—	1-1/8" (29)	20.0
X57SA	X57	1-1/2"	8-7/16" (214)	2-9/16" (65)	4-7/8" (124)	2-1/16" (52)	5-7/16" (138)	—	1-1/4" (32)	27.0
X67SA	X67	2"	9-7/16" (240)	3-1/8" (79)	5-7/16" (138)	2-5/8" (67)	6-3/8" (162)	—	1-1/2" (38)	50.0

C TYPE CONDUIT BODY*										
CATALOG NUMBER KILLARK ALUM.	DURALOY IRON	HUB SIZE	DIMENSIONS							VOLUME CU. IN.
			A	B	C	D	E	F	G	
C17SA	C17	1/2"	5-1/2" (140)	1-7/16" (37)	1-1/2" (38)	1" (25)	3-3/16" (81)	—	5/8" (16)	4.0
C27SA	C27	3/4"	6-3/16" (157)	1-11/16" (43)	1-3/4" (67)	1-1/8" (29)	3-13/16" (97)	—	3/4" (19)	7.0
C37SA	C37	1"	7-7/16" (189)	1-7/8" (48)	1-15/16" (49)	1-3/8" (35)	4-1/2" (114)	—	7/8" (22)	11.0
C47SA	C47	1-1/4"	8" (203)	2-5/16" (59)	2-5/16" (59)	1-13/16" (46)	5" (127)	—	1-1/8" (29)	19.5
C57SA	C57	1-1/2"	8-7/16" (214)	2-9/16" (65)	2-1/2" (64)	2-1/16" (52)	5-7/16" (138)	—	1-1/4" (32)	26.0
C67SA	C67	2"	9-7/16" (240)	3-1/8" (79)	3-1/16" (78)	2-5/8" (67)	6-3/8" (162)	—	1-1/2" (38)	48.0
C77SA	C77	2-1/2"	12-3/4" (324)	4-3/8" (111)	4-3/8" (111)	3-7/8" (98)	8-3/8" (213)	—	2-1/8" (54)	131.5
C87SA	C87	3"	12-3/4" (324)	4-3/8" (111)	4-3/8" (111)	3-7/8" (98)	8-3/8" (213)	—	2-1/8" (54)	131.5
C97SA	C97	3-1/2"	14-7/8" (378)	5-3/8" (137)	5-3/8" (137)	4-3/4" (121)	10-1/4" (260)	—	2-5/8" (67)	238.0
C107SA	C107	4"	14-7/8" (378)	5-3/8" (137)	5-3/8" (137)	4-3/4" (121)	10-1/4" (260)	—	2-5/8" (67)	238.0

* For conduit body packaged with cover and gasket, add CG to the catalog number.

** For other finishes contact factory.

FITTINGS

DURALOY® 7 SERIES



ALUMINUM OR IRON CONDUIT BODIES



LB Type



LL Type

- Suitable for wet locations when used with gasketed covers.
- Federal Specification W-C-586D/A-A 50563.
- Suitable for use in hazardous location applications when installed according to NEC Articles 501.10(b), Class I, Div. 2, (Suitable for use in Class I Zone 2 applications) 502.10 and 503.10.

UL LISTED File No. E3397

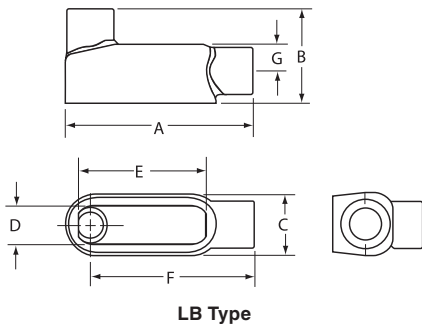
SP Certified File No. LR11852

FEATURES-SPECIFICATIONS

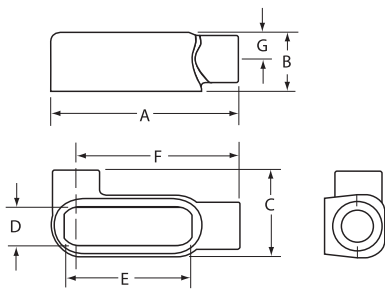


See page F3 for Standard Materials & Finish

Dimensions



LB Type



LL Type

LB TYPE CONDUIT BODY*										
CATALOG NUMBER		HUB SIZE	DIMENSIONS							VOLUME CU. IN.
KILLARK ALUM.	DURALOY IRON		A	B	C	D	E	F	G	
LB17SA	LB17	1/2"	4-11/16" (119)	2-1/4" (57)	1-1/2" (38)	1" (25)	3-3/16" (81)	4-1/16" (103)	5/8" (16)	4.0
LB27SA	LB27	3/4"	5-3/8" (137)	2-1/2" (64)	1-3/4" (67)	1-1/8" (29)	3-13/16" (97)	4-5/8" (117)	3/4" (19)	7.0
LB37SA	LB37	1"	6-5/16" (160)	3" (76)	1-15/16" (49)	1-3/8" (35)	4-1/2" (114)	5-3/8" (137)	7/8" (22)	11.0
LB47SA	LB47	1-1/4"	6-13/16" (173)	3-1/2" (89)	2-5/16" (59)	1-13/16" (46)	5" (127)	5-3/4" (146)	1-1/8" (29)	19.5
LB57SA	LB57	1-1/2"	7-1/4" (184)	3-3/4" (95)	2-1/2" (64)	2-1/16" (52)	5-7/16" (138)	6-1/16" (154)	1-1/4" (32)	26.0
LB67SA	LB67	2"	8-1/4" (210)	4-5/16" (109)	3-1/16" (78)	2-5/8" (67)	6-3/8" (162)	6-3/4" (171)	1-1/2" (38)	48.0
LB77SA	LB77	2-1/2"	10-15/16" (278)	6-3/16" (157)	4-3/8" (111)	3-7/8" (98)	8-3/8" (213)	8-3/4" (222)	2-1/8" (54)	131.5
LB87SA	LB87	3"	10-15/16" (278)	6-3/16" (157)	4-3/8" (111)	3-7/8" (98)	8-3/8" (213)	8-3/4" (222)	2-1/8" (54)	131.5
LB97SA	LB97	3-1/2"	13" (330)	7-1/4" (184)	5-3/8" (137)	4-3/4" (121)	10-1/4" (260)	10-5/16" (262)	2-5/8" (67)	238.0
LB107SA	LB107	4"	13" (330)	7-1/4" (184)	5-3/8" (137)	4-3/4" (121)	10-1/4" (260)	10-5/16" (262)	2-5/8" (67)	238.0

LL TYPE CONDUIT BODY*										
CATALOG NUMBER		HUB SIZE	DIMENSIONS							VOLUME CU. IN.
KILLARK ALUM.	DURALOY IRON		A	B	C	D	E	F	G	
LL17SA	LL17	1/2"	4-11/16" (119)	1-7/16" (37)	2-5/16" (59)	1" (25)	3-3/16" (81)	4-1/16" (103)	5/8" (16)	4.0
LL27SA	LL27	3/4"	5-3/8" (137)	1-11/16" (43)	2-5/8" (67)	1-1/8" (29)	3-13/16" (97)	4-5/8" (117)	3/4" (19)	7.0
LL37SA	LL37	1"	6-5/16" (160)	1-7/8" (48)	3-1/16" (78)	1-3/8" (35)	4-1/2" (114)	5-3/8" (137)	7/8" (22)	11.0
LL47SA	LL47	1-1/4"	6-13/16" (173)	2-5/16" (59)	3-1/2" (89)	1-13/16" (46)	5" (127)	5-3/4" (146)	1-1/8" (29)	19.5
LL57SA	LL57	1-1/2"	7-1/4" (184)	2-9/16" (65)	3-11/16" (94)	2-1/16" (52)	5-7/16" (138)	6-1/16" (154)	1-1/4" (32)	26.0
LL67SA	LL67	2"	8-1/4" (210)	3-1/8" (79)	4-1/4" (108)	2-5/8" (67)	6-3/8" (162)	6-3/4" (171)	1-1/2" (38)	48.0
LL77SA	LL77	2-1/2"	10-15/16" (278)	4-3/8" (111)	6-3/16" (157)	3-7/8" (98)	8-3/8" (213)	8-3/4" (222)	2-1/8" (54)	131.5
LL87SA	LL87	3"	10-15/16" (278)	4-3/8" (111)	6-3/16" (157)	3-7/8" (98)	8-3/8" (213)	8-3/4" (222)	2-1/8" (54)	131.5
LL97SA	LL97	3-1/2"	13" (330)	5-3/8" (137)	7-1/4" (184)	4-3/4" (121)	10-1/4" (260)	10-5/16" (262)	2-5/8" (67)	238.0
LL107SA	LL107	4"	13" (330)	5-3/8" (137)	7-1/4" (184)	4-3/4" (121)	10-1/4" (260)	10-5/16" (262)	2-5/8" (67)	238.0

* For conduit body packaged with cover and gasket, add CG to the catalog number.

** For other finishes contact factory.



ALUMINUM AND STEEL COVERS AND GASKETS



Stamped Covers



Stamped Covers with Integral Neoprene Gasket



Stamped Covers



Cast Covers with Integral Neoprene Gasket

FEATURES-SPECIFICATIONS

DURALOY® 7

Stamped Material/Finish

Aluminum

- Gasketed 316 Stainless steel screws
- Natural finish

Galvanized Steel

- 316 Stainless steel screws
- Natural finish

Gasket

- Neoprene

Cast Material/Finish

Copper-free Aluminum

(less than 4/10 of 1%)

- Electrostatically applied powder coating

Duraloy Gray Iron Alloy

- Tri-coat finish of electrozinc, chromate sealant, and electrostatically applied powder coating
- Gasketed 316 Stainless steel screws

Gasket

- Neoprene

STAMPED ALUMINUM AND STAMPED STEEL COVERS WITHOUT AND WITH GASKETS							
CATALOG NUMBER				HUB SIZE	DIMENSIONS		
ALUMINUM W/O GASKET	ALUMINUM W/GASKET	STEEL W/O GASKET	STEEL W/ GASKET		LENGTH	WIDTH	HEIGHT*
170SA	170GSA	170	170G	1/2"	3-11/16" (94)	1-3/8" (35)	5/16" (8)
270SA	270GSA	270	270G	3/4"	4-1/4" (108)	1-1/2" (32)	5/16" (8)
370SA	370GSA	370	370G	1"	5" (127)	1-3/4" (44)	5/16" (8)
470SA	470GSA	470	470G	1-1/4"	5-1/2" (140)	2-3/16" (56)	5/16" (8)
570SA	570GSA	570	570G	1-1/2"	6" (152)	2-7/16" (62)	5/16" (8)
670SA	670GSA	670	670G	2"	7" (178)	3" (76)	5/16" (8)
870SA	870GSA	870	870G	2-1/2"	9" (229)	4-1/4" (108)	9/16" (14)
870SA	870GSA	870	870G	3"	9" (229)	4-1/4" (108)	9/16" (14)
970SA	970GSA	970	970G	3-1/2"	11" (279)	5-1/4" (133)	9/16" (14)
970SA	970GSA	970	970G	4"	11" (279)	5-1/4" (133)	9/16" (14)

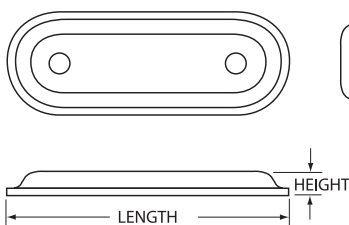
* For covers with integral gasket, add 1/8" (3) to height.

CAST ALUMINUM AND CAST IRON COVERS WITHOUT AND WITH GASKETS							
CATALOG NUMBER				HUB SIZE	DIMENSIONS		
ALUMINUM W/O GASKET	ALUMINUM W/GASKET	STEEL W/O GASKET	STEEL W/ GASKET		LENGTH	WIDTH	HEIGHT*
170CSA	170CGSA	170C	170CG	1/2"	3-11/16" (94)	1-3/8" (35)	5/16" (8)
270CSA	270CGSA	270C	270CG	3/4"	4-1/4" (108)	1-1/2" (32)	5/16" (8)
370CSA	370CGSA	370C	370CG	1"	5" (127)	1-3/4" (44)	5/16" (8)
470CSA	470CGSA	470C	470CG	1-1/4"	5-1/2" (140)	2-3/16" (56)	5/16" (8)
570CSA	570CGSA	570C	570CG	1-1/2"	6" (152)	2-7/16" (62)	5/16" (8)
670CSA	670CGSA	670C	670CG	2"	7" (178)	3" (76)	5/16" (8)
870CSA	870CGSA	870C	870CG	2-1/2"	9" (229)	4-1/4" (108)	9/16" (14)
870CSA	870CGSA	870C	870CG	3"	9" (229)	4-1/4" (108)	9/16" (14)
970CSA	970CGSA	970C	970CG	3-1/2"	11" (279)	5-1/4" (133)	9/16" (14)
970CSA	970CGSA	970C	970CG	4"	11" (279)	5-1/4" (133)	9/16" (14)

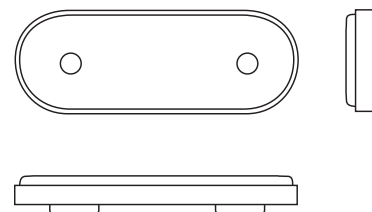
* For covers with integral gasket, add 1/8" (3) to height.

Dimensions

Stamped Covers

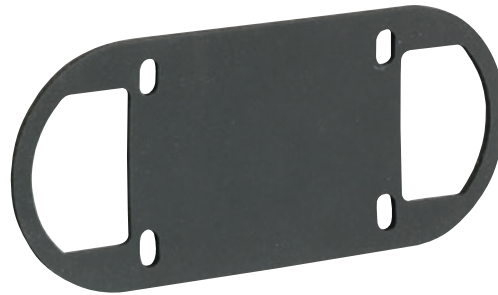


Cast Covers





GASKETS



Cover Gaskets

FEATURES-SPECIFICATIONS

DURALOY®7

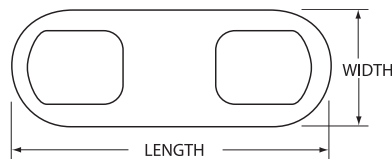
Material

- Open cell neoprene

COVER GASKETS (OPEN CELL NEOPRENE)

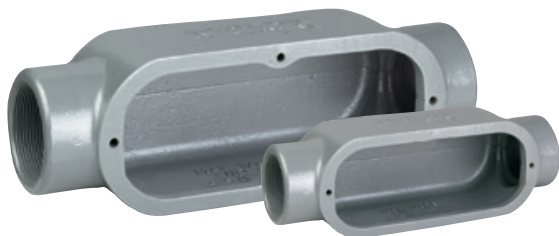
CATALOG NUMBER	HUB SIZE	DIMENSIONS		
		LENGTH	WIDTH	HEIGHT
GASK571	1/2"	3-11/16" (94)	1-3/8" (35)	1/8" (3)
GASK572	3/4"	4-1/4" (108)	1-1/2" (38)	1/8" (3)
GASK573	1"	5" (127)	1-3/4" (44)	1/8" (3)
GASK574	1-1/4"	5-1/2" (140)	2-3/16" (56)	1/8" (3)
GASK575	1-1/2"	6" (152)	2-7/16" (62)	1/8" (3)
GASK576	2"	7" (178)	3" (76)	1/8" (3)
GASK578	2-1/2"	9" (229)	4-1/4" (108)	1/8" (3)
GASK578	3"	9" (229)	4-1/4" (108)	1/8" (3)
GASK579	3-1/2"	11" (279)	5-1/4" (133)	1/8" (3)
GASK579	4"	11" (279)	5-1/4" (133)	1/8" (3)

Dimensions





IRON CONDUIT BODIES



C Type

- Suitable for wet locations when used with gasketed covers.
- Federal Specification W-C-586D/A-A 50563.
- Suitable for use in hazardous location applications when installed according to NEC Articles 501.10(b), Class 1, Div. 2, (Suitable for use in Class I Zone 2 applications) 502.10 and 503.10.

UL LISTED File No. E3397

SF Certified File No. LR11852

FEATURES-SPECIFICATIONS



Applications

To provide access to conductors for pulling, splicing, and maintenance. Threaded for rigid conduit and IMC.

Features

- Completely interchangeable with competitive bodies, gaskets, and covers
- Flat back design provides greater cubic capacity for easier wire pulling and more room for splicing
- Raintight when used with gasketed covers
- Stainless steel screws on stamped and cast covers
- Smooth integral wire bushings

Material/Finish

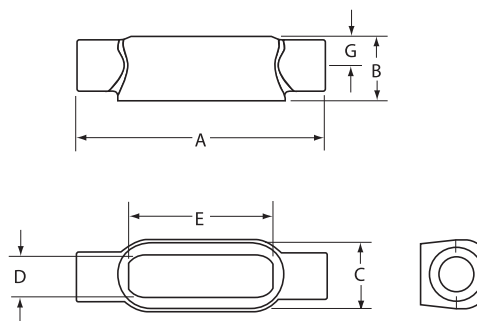
Duraloy Gray Iron Alloy

- Tri-coat finish of electrozinc, chromate sealant, and electrostatically applied powder coating.

C TYPE CONDUIT BODY*									
CATALOG NUMBER	HUB SIZE	DIMENSIONS							VOLUME CU. IN.
		A	B	C	D	E	F	G	
C18	1/2"	5-5/16" (135)	1-15/32" (37)	1-15/32" (37)	1" (25)	3-9/32" (83)	—	5/8" (16)	5.0
C28	3/4"	6-9/16" (167)	1-11/16" (43)	1-21/32" (42)	1-3/16" (30)	3-15/16" (100)	—	3/4" (19)	8.0
C38	1"	7-9/16" (192)	1-31/32" (50)	1-27/32" (47)	1-3/8" (35)	4-17/32" (115)	—	7/8" (22)	12.25
C448	1-1/4"	8-7/16" (214)	2-3/8" (60)	2-5/32" (55)	1-3/4" (44)	5-15/16" (151)	—	1-3/32" (28)	23.25
C58	1-1/2"	10-3/8" (264)	2-25/32" (71)	2-25/32" (71)	2-3/32" (53)	6-1/2" (165)	—	1-3/8" (35)	42.50
C68	2"	12-3/8" (314)	3-9/16" (90)	3-27/32" (98)	3" (76)	8-5/8" (219)	—	1-7/8" (48)	105.00
C78	2-1/2"	15-5/8" (397)	4-7/16" (113)	5" (127)	4-1/4" (108)	10-7/8" (276)	—	2-1/2" (64)	200.00
C88	3"	15-5/8" (397)	4-13/16" (122)	5" (127)	4-1/4" (108)	10-7/8" (276)	—	2-1/2" (64)	217.00

* For conduit body packaged with cover and gasket, add CG to the catalog number.

Dimensions



C Type

FITTINGS

DURALOY® 8 SERIES



IRON CONDUIT BODIES



LB Type



LL Type

- Suitable for wet locations when used with gasketed covers.
- Federal Specification W-C-586D/A-A 50563.
- Suitable for use in hazardous location applications when installed according to NEC Articles 501.10(b), Class I, Div. 2, (Suitable for use in Class I Zone 2 applications) 502.10 and 503.10.

UL LISTED File No. E3397

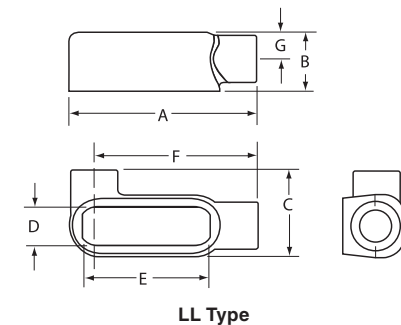
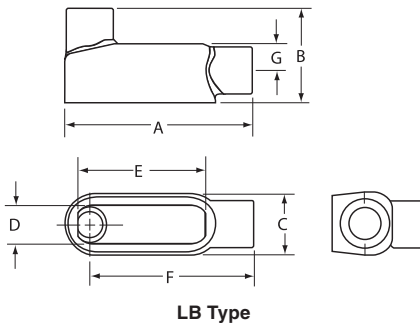
SF Certified File No. LR11852

FEATURES-SPECIFICATIONS



See page F10 for Standard Materials & Finish

Dimensions



LB TYPE CONDUIT BODY*									
CATALOG NUMBER	HUB SIZE	DIMENSIONS							VOLUME CU. IN.
		A	B	C	D	E	F	G	
LB18	1/2"	5-3/32" (129)	2-9/32" (58)	1-15/32" (37)	1" (25)	3-9/32" (83)	4-3/8" (111)	5/8" (16)	5.0
LB28	3/4"	5-3/4" (146)	2-1/2" (64)	1-21/32" (42)	1-3/16" (30)	3-15/16" (100)	4-29/32" (125)	3/4" (19)	8.0
LB38	1"	6-5/8" (168)	2-29/32" (74)	1-27/32" (47)	1-3/8" (35)	4-17/32" (115)	5-23/32" (145)	7/8" (22)	13.0
LB448	1-1/4"	7-1/2" (191)	3-5/16" (84)	2-5/32" (55)	1-3/4" (44)	5-15/16" (151)	6-13/32" (163)	1-3/32" (28)	24.0
LB58	1-1/2"	9-1/8" (232)	4-1/32" (102)	4-25/32" (121)	2-3/32" (53)	6-1/2" (165)	7-3/4" (197)	1-3/8" (35)	42.0
LB68	2"	11-1/8" (283)	4-13/16" (122)	4-13/16" (122)	3" (76)	8-5/8" (219)	9-3/16" (233)	1-7/8" (48)	105.0
LB78	2-1/2"	13-15/16" (354)	6-1/8" (156)	6-1/8" (156)	4-1/4" (108)	10-7/8" (276)	11-7/16" (291)	2-1/2" (64)	200.0
LB888	3"	13-15/16" (354)	6-1/2" (165)	6-1/2" (165)	4-1/4" (108)	10-7/8" (276)	11-7/16" (291)	2-1/2" (64)	217.0
LB98	3-1/2"	16-7/8" (429)	7-9/16" (192)	7-9/16" (192)	5-7/16" (138)	13-7/8" (352)	13-3/4" (349)	3-1/8" (79)	380.0
LB108	4"	16-7/8" (429)	7-13/16" (198)	7-13/16" (198)	5-7/16" (138)	13-7/8" (352)	13-3/4" (349)	3-1/8" (79)	400.0

LL TYPE CONDUIT BODY*									
CATALOG NUMBER	HUB SIZE	DIMENSIONS							VOLUME CU. IN.
		A	B	C	D	E	F	G	
LL18	1/2"	5-3/32" (129)	2-9/32" (56)	1-15/32" (37)	1" (25)	3-9/32" (83)	4-3/8" (111)	5/8" (16)	5.0
LL28	3/4"	5-3/4" (146)	2-1/2" (64)	1-21/32" (42)	1-3/16" (30)	3-15/16" (100)	4-29/32" (125)	3/4" (19)	8.0
LL38	1"	6-5/8" (168)	2-29/32" (74)	1-27/32" (47)	1-3/8" (35)	4-17/32" (115)	5-23/32" (145)	7/8" (22)	13.0
LL448	1-1/4"	7-1/2" (191)	3-5/16" (84)	2-5/32" (55)	1-3/4" (44)	5-15/16" (151)	6-13/32" (163)	1-3/32" (28)	24.0
LL58	1-1/2"	9-1/8" (232)	4-1/32" (102)	4-25/32" (121)	2-3/32" (53)	6-1/2" (165)	7-3/4" (197)	1-3/8" (35)	42.0
LL68	2"	11-1/8" (283)	4-13/16" (122)	4-13/16" (122)	3" (76)	8-5/8" (219)	9-3/16" (233)	1-7/8" (48)	105.0
LL78	2-1/2"	13-15/16" (354)	6-1/8" (156)	6-1/8" (156)	4-1/4" (108)	10-7/8" (276)	11-7/16" (291)	2-1/2" (64)	200.0
LL888	3"	13-15/16" (354)	6-1/2" (165)	6-1/2" (165)	4-1/4" (108)	10-7/8" (276)	11-7/16" (291)	2-1/2" (64)	217.0

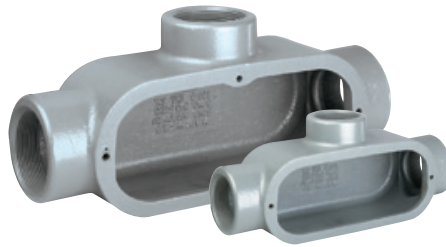
* For conduit body packaged with cover and gasket, add CG to the catalog number.



IRON CONDUIT BODIES



LR Type



T Type

- Suitable for wet locations when used with gasketed covers.
- Federal Specification W-C-586D/A-A 50563.
- Suitable for use in hazardous location applications when installed according to NEC Articles 501.10(b), Class 1, Div. 2, (Suitable for use in Class I Zone 2 applications) 502.10 and 503.10.

UL LISTED File No. E3397

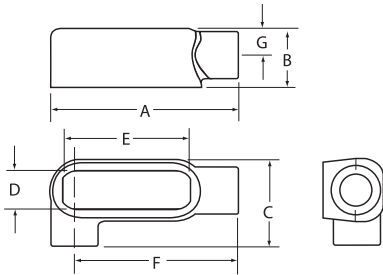
SF Certified File No. LR11852

FEATURES-SPECIFICATIONS

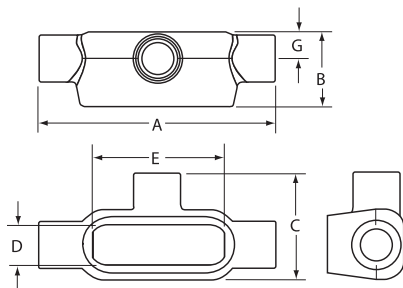


See page F10 for Standard Materials & Finish

Dimensions



LR Type



T Type

LR TYPE CONDUIT BODY*									
CATALOG NUMBER	HUB SIZE	DIMENSIONS							VOLUME CU. IN.
		A	B	C	D	E	F	G	
LR18	1/2"	5-3/32" (129)	1-15/16" (49)	2-9/32" (58)	1" (52)	3-9/32" (83)	4-3/8" (111)	5/8" (16)	5.0
LR28	3/4"	5-3/4" (146)	1-11/16" (43)	2-1/2" (64)	1-3/16" (30)	3-15/16" (84)	4-29/32" (125)	3/4" (19)	8.0
LR38	1"	6-5/8" (168)	1-31/32" (50)	2-29/32" (74)	1-3/8" (35)	4-17/32" (115)	5-23/32" (145)	7/8" (22)	13.0
LR448	1-1/4"	7-1/2" (191)	2-3/8" (60)	3-5/16" (84)	1-3/4" (44)	5-15/16" (151)	6-13/32" (163)	1-3/32" (28)	24.0
LR58	1-1/2"	9-1/8" (232)	2-25/32" (71)	4-1/32" (102)	2-3/32" (53)	6-1/2" (165)	7-3/4" (199)	1-3/8" (35)	42.0
LR68	2"	11-1/8" (283)	3-9/16" (90)	4-13/16" (122)	3" (76)	8-5/8" (219)	9-3/16" (233)	1-7/8" (48)	105.0
LR78	2-1/2"	13-15/16" (354)	4-7/16" (113)	6-1/8" (156)	4-1/4" (108)	10-7/8" (276)	11-7/16" (291)	2-1/2" (64)	200.0
LR888	3"	13-15/16" (354)	4-13/16" (122)	6-1/2" (165)	4-1/4" (108)	10-7/8" (276)	11-7/16" (291)	2-1/2" (64)	217.0

T TYPE CONDUIT BODY*									
CATALOG NUMBER	HUB SIZE	DIMENSIONS							VOLUME CU. IN.
		A	B	C	D	E	F	G	
T18	1/2"	5-15/16" (151)	1-25/32" (45)	2-5/16" (59)	1" (25)	3-9/32" (83)	—	5/8" (16)	6.0
T28	3/4"	6-9/16" (167)	2" (51)	2-1/2" (64)	1-3/16" (30)	3-15/16" (100)	—	3/4" (19)	10.0
T38	1"	7-9/16" (192)	2-9/32" (58)	2-25/32" (71)	1-3/8" (35)	4-17/32" (115)	—	7/8" (22)	15.0
T448	1-1/4"	8-7/16" (214)	2-5/8" (67)	3-1/8" (79)	1-3/4" (44)	5-5/16" (135)	—	1-3/32" (28)	25.0
T58	1-1/2"	10-3/8" (264)	2-25/32" (71)	4-1/32" (102)	2-3/32" (53)	6-1/2" (165)	—	1-3/8" (35)	44.0
T68	2"	12-3/8" (314)	3-9/16" (90)	5-1/8" (130)	3" (76)	8-5/8" (219)	—	1-7/8" (48)	105.0
T78	2-1/2"	15-5/8" (397)	4-7/16" (113)	6-11/16" (170)	4-1/4" (108)	10-11/16" (271)	—	2-1/2" (64)	200.0
T88	3"	15-5/8" (397)	4-13/16" (122)	6-11/16" (170)	4-1/4" (108)	10-11/16" (271)	—	2-1/2" (64)	217.0

* For conduit body packaged with cover and gasket, add CG to the catalog number.

FITTINGS

DURALOY® 8 SERIES



IRON CONDUIT BODIES



TB Type



X Type

- Suitable for wet locations when used with gasketed covers.
- Federal Specification W-C-586D/A-A 50563.
- Suitable for use in hazardous location applications when installed according to NEC Articles 501.10(b), Class I, Div. 2, (Suitable for use in Class I Zone 2 applications) 502.10 and 503.10.

UL LISTED File No. E3397

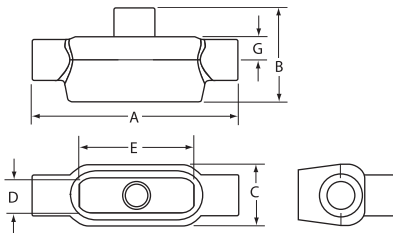
SF Certified File No. LR11852

FEATURES-SPECIFICATIONS

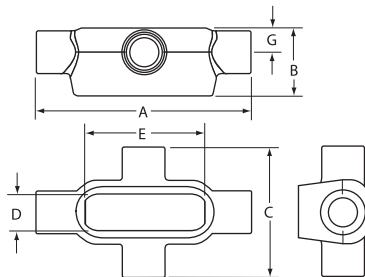


See page F10 for Standard Materials & Finish

Dimensions



TB Type



X Type

TB TYPE CONDUIT BODY*									
CATALOG NUMBER	HUB SIZE	DIMENSIONS							VOLUME CU. IN.
		A	B	C	D	E	F	G	
TB18	1/2"	5-15/16" (151)	2-15/16" (75)	1-15/16" (49)	1" (25)	3-9/32" (83)	—	5/8" (16)	6.0
TB28	3/4"	6-9/16" (167)	2-1/2" (64)	1-21/32" (42)	1-3/16" (30)	3-15/16" (100)	—	3/4" (19)	10.0
TB38	1"	7-9/16" (192)	2-25/32" (71)	1-27/32" (47)	1-3/8" (35)	4-17/32" (115)	—	7/8" (22)	15.0
TB448	1-1/4"	8-7/16" (214)	3-1/8" (79)	2-3/16" (55)	1-3/4" (44)	5-5/16" (135)	—	1-3/32" (26)	25.0
TB58	1-1/2"	10-3/8" (264)	4-1/32" (102)	2-25/32" (71)	2-3/32" (53)	6-1/2" (165)	—	1-3/8" (35)	44.0
TB68	2"	12-3/8" (314)	5-1/8" (130)	3-7/8" (98)	3" (76)	8-5/8" (219)	—	1-7/8" (48)	105.0

X TYPE CONDUIT BODY*									
CATALOG NUMBER	HUB SIZE	DIMENSIONS							VOLUME CU. IN.
		A	B	C	D	E	F	G	
X18	1/2"	5-15/16" (151)	1-25/32" (45)	3-1/8" (79)	1" (25)	3-9/32" (83)	—	5/8" (16)	6.0
X28	3/4"	6-9/16" (167)	2" (51)	3-15/16" (100)	1-3/16" (30)	3-15/16" (100)	—	3/4" (19)	10.0
X38	1"	7-9/16" (192)	2-9/32" (58)	3-23/32" (94)	1-3/8" (35)	4-17/32" (115)	—	7/8" (22)	15.0
X448	1-1/4"	8-7/16" (214)	2-5/8" (67)	4-1/16" (103)	1-3/4" (44)	5-5/16" (135)	—	1-3/32" (26)	25.0
X58	1-1/2"	10-3/8" (264)	2-25/32" (71)	5-9/32" (134)	2-3/32" (53)	6-1/2" (165)	—	1-3/8" (35)	44.0
X68	2"	12-3/8" (314)	3-9/16" (90)	6-3/8" (162)	3" (76)	8-5/8" (219)	—	1-7/8" (48)	105.0

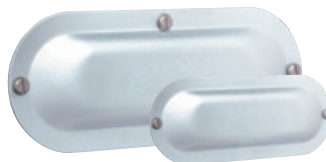
* For conduit body packaged with cover and gasket, add CG to the catalog number.



IRON COVERS AND GASKETS



Cast Covers



Stamped Steel Covers



Cover Gaskets (Neoprene)

- Suitable for wet locations when used with gasketed covers.
- Federal Specification W-C-586D/A-A 50563.
- Suitable for use in hazardous location applications when installed according to NEC Articles 501.10(b), Class 1, Div. 2, (Suitable for use in Class I Zone 2 applications) 502.10 and 503.10.

UL LISTED File No. E3397

SF Certified File No. LR11852

FEATURES-SPECIFICATIONS



See page F10 for Standard Materials & Finish

Cast Material/Finish

Duraloy Gray Iron Alloy

- Tri-coat finish of electrozinc, chromate sealant, and electrostatically applied powder coating
- 300 Series stainless steel screws

Galvanized Steel

- Natural finish
- 300 Series stainless steel screws

Material/Finish

- Neoprene. Compression molded.

CAST IRON COVERS				
CATALOG NUMBER	HUB SIZE	OVERALL DIMENSIONS		
		LENGTH	WIDTH	HEIGHT
180F	1/2"	4-7/32"(107)	1-15/32"(37)	3/8"(10)
280F	3/4"	4-13/16"(122)	1-21/32"(42)	3/8"(10)
380F	1"	5-19/32"(142)	1-27/32"(47)	5/8"(16)
480F	1-1/4"	6-9/16"(167)	2-3/16"(56)	5/8"(16)
580F	1-1/2"	7-7/8"(200)	2-25/32"(71)	5/8"(16)
680F	2"	9-3/4"(248)	3-7/8"(98)	5/8"(16)
880F	2-1/2"	12-1/4"(311)	5"(127)	5/8"(16)
880F	3"	12-1/4"(311)	5"(127)	5/8"(16)
980F	3-1/2"	15"(381)	6-1/4"(159)	5/8"(16)
980F	4"	15"(381)	6-1/4"(159)	5/8"(16)

STAMPED STEEL COVERS				
CATALOG NUMBER	HUB SIZE	OVERALL DIMENSIONS		
		LENGTH	WIDTH	HEIGHT
180S	1/2"	4-7/32"(107)	1-15/32"(37)	5/16"(8)
280S	3/4"	4-13/16"(122)	1-21/32"(42)	5/16"(8)
380S	1"	5-19/32"(142)	1-27/32"(47)	5/16"(8)
480S	1-1/4"	6-9/16"(167)	2-3/16"(56)	5/16"(8)
580S	1-1/2"	7-7/8"(200)	2-25/32"(71)	5/16"(8)
680S	2"	9-3/4"(248)	3-7/8"(98)	5/16"(8)
880S	2-1/2"	12-1/4"(311)	5"(127)	9/16"(14)
880S	3"	12-1/4"(311)	5"(127)	9/16"(14)
980S	3-1/2"	15"(381)	6-1/4"(159)	9/16"(14)
980S	4"	15"(381)	6-1/4"(159)	9/16"(14)

COVER GASKETS				
CATALOG NUMBER	HUB SIZE	OVERALL DIMENSIONS		
		LENGTH	WIDTH	HEIGHT
GASK851N	1/2"	4-7/32"(107)	1-15/32"(37)	1/8"(3)
GASK852N	3/4"	4-13/16"(122)	1-21/32"(42)	1/8"(3)
GASK853N	1"	5-19/32"(142)	1-27/32"(47)	1/8"(3)
GASK854N	1-1/4"	6-9/16"(167)	2-3/16"(56)	1/8"(3)
GASK805N	1-1/2"	7-7/8"(200)	2-25/32"(71)	1/8"(3)
GASK806N	2"	9-3/4"(248)	3-7/8"(98)	1/8"(3)
GASK808N	2-1/2"	12-1/4"(311)	5"(127)	1/8"(3)
GASK808N	3"	12-1/4"(311)	5"(127)	1/8"(3)
GASK809N	3-1/2"	15"(381)	6-1/4"(159)	1/8"(3)
GASK809N	4"	15"(381)	6-1/4"(159)	1/8"(3)

NOTE - (2) screws 1/2" through 1-1/4", (4) screws 1-1/2" through 4"

FITTINGS

O SERIES / DURALOY® 5 SERIES



ALUMINUM OR MALLEABLE IRON CONDUIT BODIES



C Type



E Type

- Suitable for wet locations when used with gasketed covers.
- Federal Specification W-C-586D/A-A 50563.
- Suitable for use in hazardous location applications when installed according to NEC Articles 501.10(b), Class 1, Div. 2, (Suitable for use in Class 1 Zone 2 applications) 502.10 and 503.10.

UL LISTED File No. E3397

SP Certified File No. LR11852

FEATURES-SPECIFICATIONS

DURALOY⁵

Applications

To provide access to conductors for pulling, splicing, and maintenance. Threaded for rigid conduit and IMC.

Features

- Tapered threaded hubs (NPT)
- Raintight when used with gasketed covers
- Malleable iron suitable for use in concrete
- Interchangeable with competitive products
- Stainless steel screws on stamped and cast covers

Material/Finish

Copper-free Aluminum
(less than 4/10 of 1%)

- Electrostatically applied powder coating

Duraloy Malleable Iron

- Tri-coat finish of electrozinc, chromate sealant, and electrostatically applied powder coating.

C TYPE CONDUIT BODY*

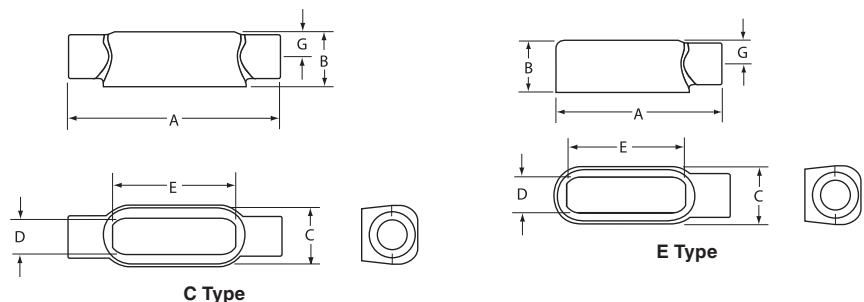
CATALOG NUMBER		HUB SIZE	DIMENSIONS							VOLUME CU. IN.
KILLARK ALUM.	DURALOY IRON		A	B	C	D	E	F	G	
OC-1	OC-1M	1/2"	5-3/16" (132)	1-3/8" (35)	1-3/8" (35)	1" (25)	3-5/32" (80)	—	5/8" (16)	4.0
OC-2	OC-2M	3/4"	6-1/8" (156)	1-5/8" (41)	1-5/8" (67)	1-7/32" (31)	3-25/32" (96)	—	3/4" (19)	7.0
OC-3	OC-3M	1"	7-1/8" (181)	2" (51)	1-7/8" (48)	1-15/32" (37)	4-17/32" (115)	—	15/16" (24)	12.0
OC-4	OC-4M	1-1/4"	9-1/8" (232)	2-5/8" (67)	2-5/8" (67)	2" (51)	6" (152)	—	1-3/16" (30)	32.0
OC-5	OC-5M	1-1/2"	9-1/4" (235)	2-3/4" (70)	2-5/8" (67)	2" (51)	6" (152)	—	1-3/8" (32)	36.0
OC-6	OC-6M	2"	11-7/8" (302)	3-1/2" (89)	3-1/8" (79)	2-9/16" (65)	8-1/16" (205)	—	1-5/8" (38)	70.0
OC-7	OC-7M	2-1/2"	15-1/8" (384)	4" (102)	4-3/8" (111)	3-11/16" (94)	10-5/8" (270)	—	1-13/16" (54)	153.0
OC-8	OC-8M	3"	15-1/8" (384)	4-3/4" (121)	4-3/8" (111)	3-11/16" (94)	10-5/8" (270)	—	2-3/16" (54)	181.0
OC-9	OC-9M	3-1/2"	18-3/8" (467)	5-1/2" (140)	5-1/2" (140)	4-7/8" (124)	13-1/8" (333)	—	2-1/2" (67)	290.0
OC-0	OC-0M	4"	18-3/8" (467)	5-5/8" (143)	5-1/2" (140)	4-7/8" (124)	13-1/8" (333)	—	2-3/4" (67)	320.0

E TYPE CONDUIT BODY*

CATALOG NUMBER		HUB SIZE	DIMENSIONS							VOLUME CU. IN.
KILLARK ALUM.	DURALOY IRON		A	B	C	D	E	F	G	
OE-1	OE-1M	1/2"	4-5/8" (117)	1-3/8" (35)	1-3/8" (35)	1" (25)	3-9/32" (83)	—	5/8" (16)	4.0
OE-2	OE-2M	3/4"	5-3/8" (41)	1-5/8" (137)	1-5/8" (41)	1-7/32" (29)	3-15/16" (100)	—	3/4" (19)	7.0
OE-3	OE-3M	1"	6-1/4" (159)	2" (51)	1-7/8" (48)	1-15/32" (35)	4-17/32" (115)	—	7/8" (22)	12.0

* For conduit body packaged with cover and gasket, add **CG** to the catalog number.

Dimensions





ALUMINUM OR MALLEABLE IRON CONDUIT BODIES



LB Type



LL Type

- Suitable for wet locations when used with gasketed covers.
- Federal Specification W-C-586D/A-A 50563.
- Suitable for use in hazardous location applications when installed according to NEC Articles 501.10(b), Class I, Div. 2. (Suitable for use in Class I Zone 2 applications) 502.10 and 503.10.

UL LISTED File No. E3397

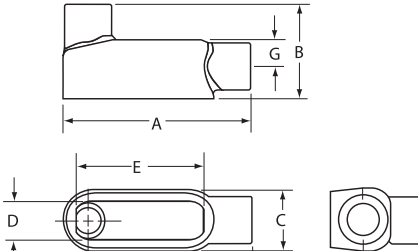
SF Certified File No. LR11852

FEATURES-SPECIFICATIONS

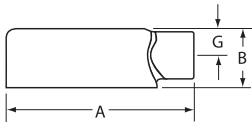


See page F15 for Standard Materials & Finish

Dimensions



LB Type



LL Type

CATALOG NUMBER		HUB SIZE	DIMENSIONS							VOLUME CU. IN.
KILLARK ALUM.	DURALOY IRON		A	B	C	D	E	F	G	
OLB-1	OLB-1M	1/2"	4-17/32" (115)	2-9/32" (83)	1-3/8" (35)	1" (25)	3-5/32" (80)	4-3/8" (111)	5/8" (16)	4.0
OLB-2	OLB-2M	3/4"	5-3/4" (146)	2-1/2" (64)	1-5/8" (41)	1-7/32" (31)	3-25/32" (96)	4-29/32" (125)	3/4" (19)	7.0
OLB-3	OLB-3M	1"	6-5/8" (168)	2-29/32" (74)	1-7/8" (48)	1-15/32" (37)	4-17/32" (115)	5-23/32" (145)	15/16" (24)	12.0
OLB-4	OLB-4M	1-1/4"	7-1/2" (191)	3-3/16" (81)	2-5/8" (67)	2" (51)	6" (152)	6-13/32" (162)	1-3/16" (30)	28.8
OLB-5	OLB-5M	1-1/2"	9-1/8" (232)	4" (102)	2-5/8" (67)	2" (51)	6" (152)	17-3/4" (451)	1-3/8" (32)	36.0
OLB-6	OLB-6M	2"	10" (254)	4-13/16" (122)	3-1/8" (79)	2-9/16" (65)	8-1/16" (205)	8-5/32" (207)	1-5/8" (38)	70.0
OLB-7	OLB-7M	2-1/2"	13-15/16" (354)	6-1/8" (156)	4-3/8" (111)	3-11/16" (94)	10-5/8" (270)	11-7/16" (291)	2-1/2" (64)	142.0
OLB-8	OLB-8M	3"	13-15/16" (354)	6-1/2" (165)	4-3/8" (111)	3-11/16" (94)	10-5/8" (270)	11-7/16" (291)	2-3/16" (54)	173.0
OLB-9	OLB-9M	3-1/2"	16-7/8" (429)	7-9/16" (192)	5-1/2" (140)	4-7/8" (124)	13-1/8" (333)	13-3/4" (349)	2-1/2" (67)	292.0
OLB-0	OLB-0M	4"	16-7/8" (429)	7-13/16" (198)	5-1/2" (140)	4-7/8" (124)	13-1/8" (333)	13-3/4" (349)	2-3/4" (70)	324.0

CATALOG NUMBER		HUB SIZE	DIMENSIONS							VOLUME CU. IN.
KILLARK ALUM.	DURALOY IRON		A	B	C	D	E	F	G	
OLL-1	OLL-1M	1/2"	4-5/8" (117)	1-3/8" (35)	2" (51)	1" (25)	3-5/32" (80)	—	5/8" (16)	4.0
OLL-2	OLL-2M	3/4"	5-3/8" (137)	1-5/8" (41)	2-3/16" (56)	1-7/32" (31)	3-25/32" (96)	—	3/4" (19)	7.0
OLL-3	OLL-3M	1"	6-1/4" (159)	2" (51)	2-9/16" (65)	1-15/32" (37)	4-17/32" (115)	—	15/16" (24)	12.0
OLL-4	OLL-4M	1-1/4"	8-1/8" (206)	2-5/8" (67)	3-1/2" (89)	2" (51)	6" (152)	—	1-3/16" (30)	32.0
OLL-5	OLL-5M	1-1/2"	8-1/8" (206)	2-3/4" (70)	3-1/2" (89)	2" (51)	6" (152)	—	1-3/8" (32)	36.0
OLL-6	OLL-6M	2"	10-9/16" (268)	3-1/2" (89)	4-3/16" (106)	2-9/16" (65)	8-1/16" (205)	—	1-5/8" (38)	70.0
OLL-7	OLL-7M	2-1/2"	13-11/16" (348)	4" (102)	5-3/4" (146)	3-11/16" (94)	10-5/8" (270)	—	1-13/16" (46)	142.0
OLL-8	OLL-8M	3"	13-11/16" (348)	4-3/4" (121)	5-3/4" (146)	3-11/16" (94)	10-5/8" (270)	—	2-3/16" (54)	173.0
OLL-9	OLL-9M	3-1/2"	16-1/2" (419)	5-1/2" (140)	7-1/8" (181)	4-7/8" (124)	13-1/8" (333)	—	2-1/2" (67)	292.0
OLL-0	OLL-0M	4"	16-1/2" (419)	5-5/8" (143)	7-1/8" (181)	4-7/8" (124)	13-1/8" (333)	—	2-3/4" (70)	324.0

* For conduit body packaged with cover and gasket, add CG to the catalog number.

FITTINGS

O SERIES / DURALOY® 5 SERIES



ALUMINUM OR MALLEABLE IRON CONDUIT BODIES



LR Type



T Type

- Suitable for wet locations when used with gasketed covers.
- Federal Specification W-C-586D/A-A 50563.
- Suitable for use in hazardous location applications when installed according to NEC Articles 501.10(b), Class I, Div. 2, (Suitable for use in Class I Zone 2 applications) 502.10 and 503.10.

UL LISTED File No. E3397

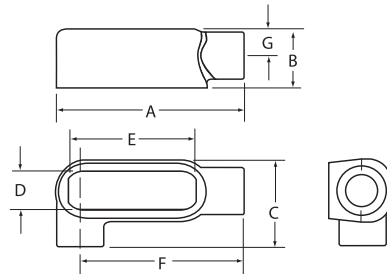
SP Certified File No. LR11852

FEATURES-SPECIFICATIONS

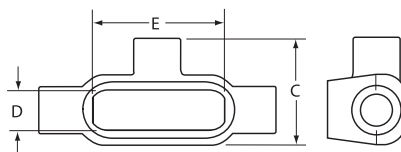
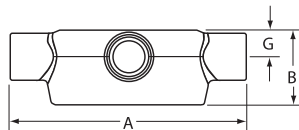
DURALOY⁵

See page F15 for Standard Materials & Finish

Dimensions



LR Type



T Type

LR TYPE CONDUIT BODY*

CATALOG NUMBER	KILLARK ALUM.	DURALOY IRON	HUB SIZE	DIMENSIONS						VOLUME CU. IN.
				A	B	C	D	E	F	
OLR-1	OLR-1M	1/2"	4-5/8" (117)	1-3/8" (35)	2" (35)	1" (25)	3-5/32" (80)	4-3/8" (111)	5/8" (16)	4.0
OLR-2	OLR-2M	3/4"	5-3/8" (137)	1-5/8" (41)	2-3/16" (67)	1-7/32" (31)	3-25/32" (96)	4-29/32" (125)	3/4" (19)	7.0
OLR-3	OLR-3M	1"	6-1/4" (159)	2" (51)	2-9/16" (65)	1-15/32" (37)	4-17/32" (115)	5-23/32" (145)	15/16" (24)	12.0
OLR-4	OLR-4M	1-1/4"	8-1/8" (206)	2-5/8" (67)	3-1/2" (89)	2" (51)	6" (152)	6-13/32" (162)	1-3/16" (30)	32.0
OLR-5	OLR-5M	1-1/2"	8-1/8" (206)	2-3/4" (70)	3-1/2" (89)	2" (51)	6" (152)	17-3/4" (451)	1-3/8" (32)	31.0
OLR-6	OLR-6M	2"	10-9/16" (268)	3-1/2" (89)	4-3/16" (106)	2-9/16" (65)	8-1/16" (205)	9-5/32" (233)	1-5/8" (38)	70.0
OLR-7	OLR-7M	2-1/2"	13-11/16" (348)	4" (102)	5-3/4" (146)	3-11/16" (93)	10-5/8" (270)	11-7/16" (291)	1-13/16" (54)	142.0
OLR-8	OLR-8M	3"	13-11/16" (348)	4-3/4" (121)	5-3/4" (146)	3-11/16" (93)	10-5/8" (270)	11-7/16" (291)	2-3/16" (54)	173.0
OLR-9	OLR-9M	3-1/2"	16-1/2" (419)	5-1/2" (140)	7-1/8" (181)	4-7/8" (124)	13-1/8" (333)	13-3/4" (349)	2-1/2" (67)	292.0
OLR-0	OLR-0M	4"	16-1/2" (419)	5-5/8" (143)	7-1/8" (181)	4-7/8" (124)	13-1/8" (333)	13-3/4" (349)	2-3/4" (67)	324.0

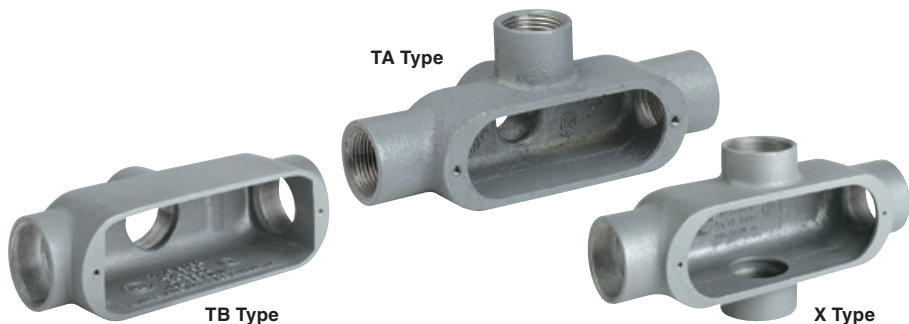
T TYPE CONDUIT BODY*

CATALOG NUMBER	KILLARK ALUM.	DURALOY IRON	HUB SIZE	DIMENSIONS						VOLUME CU. IN.
				A	B	C	D	E	F	
OT-1	OT-1M	1/2"	5-3/8" (137)	1-3/8" (35)	2" (35)	1" (25)	3-5/32" (80)	—	5/8" (16)	4.0
OT-2	OT-2M	3/4"	6-1/16" (154)	1-5/8" (41)	2-3/16" (67)	1-7/32" (31)	3-25/32" (96)	—	3/4" (19)	7.0
OT-3	OT-3M	1"	7-1/8" (181)	2" (51)	2-9/16" (65)	1-15/32" (37)	4-17/32" (115)	—	15/16" (24)	12.0
OT-4	OT-4M	1-1/4"	9-3/16" (233)	2-5/8" (67)	3-1/2" (89)	2" (51)	6" (152)	—	1-3/16" (30)	32.0
OT-5	OT-5M	1-1/2"	9-3/16" (233)	2-3/4" (70)	3-1/2" (89)	2" (51)	6" (152)	—	1-3/8" (32)	33.0
OT-6	OT-6M	2"	11-5/8" (295)	3-1/2" (89)	4-3/16" (106)	2-9/16" (65)	8-1/16" (205)	—	1-5/8" (38)	70.0
OT-7	OT-7M	2-1/2"	15-1/8" (384)	4" (102)	5-3/4" (146)	3-11/16" (94)	10-5/8" (270)	—	1-13/16" (54)	142.0
OT-8	OT-8M	3"	15-1/8" (384)	4-3/4" (121)	5-3/4" (146)	3-11/16" (94)	10-5/8" (270)	—	2-3/16" (54)	173.0
OT-9	OT-9M	3-1/2"	18-1/8" (460)	5-1/2" (140)	7-1/8" (181)	4-7/8" (124)	13-1/8" (333)	—	2-1/2" (67)	292.0
OT-0	OT-0M	4"	18-1/8" (460)	5-5/8" (143)	7-1/8" (181)	4-7/8" (124)	13-1/8" (333)	—	2-3/4" (67)	324.0

* For conduit body packaged with cover and gasket, add CG to the catalog number.



ALUMINUM OR MALLEABLE IRON CONDUIT BODIES



- Suitable for wet locations when used with gasketed covers.
- Federal Specification W-C-586D/A-A 50563.
- Suitable for use in hazardous location applications when installed according to NEC Articles 501.10(b), Class I, Div. 2, (Suitable for use in Class I Zone 2 applications) 502.10 and 503.10.

UL LISTED File No. E3397

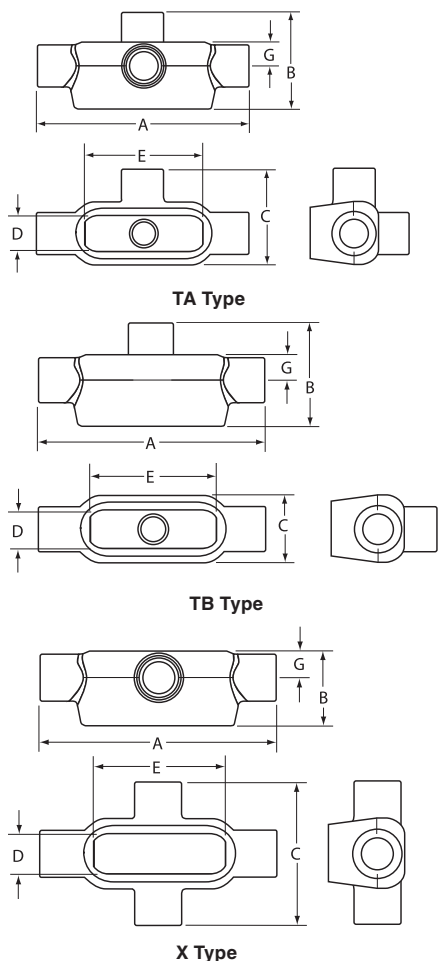
SF Certified File No. LR11852

FEATURES-SPECIFICATIONS

DURALOY®5

See page F15 for Standard Materials & Finish

Dimensions



TA TYPE CONDUIT BODY*										
CATALOG NUMBER KILLARK ALUM.	DURALOY IRON	HUB SIZE	DIMENSIONS							VOLUME CU. IN.
			A	B	C	D	E	F	G	
OTA-1	OTA-1M	1/2"	5-3/8" (137)	2-1/8" (54)	2" (51)	1" (25)	3-5/32" (80)	—	5/8" (16)	4.0
OTA-2	OTA-2M	3/4"	6-1/16" (154)	2-15/16" (75)	2-3/16" (56)	1-7/32" (29)	3-25/32" (96)	—	3/4" (19)	7.0
—	OTA-3M	1"	7-1/8" (181)	2-11/16" (68)	2-9/16" (65)	1-15/32" (35)	4-17/32" (115)	—	15/16" (24)	12.0

TB TYPE CONDUIT BODY*										
CATALOG NUMBER KILLARK ALUM.	DURALOY IRON	HUB SIZE	DIMENSIONS							VOLUME CU. IN.
			A	B	C	D	E	F	G	
OTB-1	OTB-1M	1/2"	5-3/8" (137)	2-1/8" (54)	1-5/16" (33)	1" (25)	3-5/32" (80)	—	5/8" (16)	4.0
OTB-2	OTB-2M	3/4"	6-1/16" (160)	2-5/16" (59)	1-9/16" (40)	1-7/32" (31)	3-25/32" (96)	—	3/4" (19)	7.0
OTB-3	OTB-3M	1"	7-1/8" (181)	2-11/16" (68)	1-13/16" (46)	1-15/32" (37)	4-17/32" (115)	—	15/16" (24)	12.0
OTB-4	OTB-4M	1-1/4"	9-3/16" (233)	3-9/16" (90)	2-1/2" (64)	2" (51)	6" (152)	—	1-3/16" (30)	32.0
OTB-5	OTB-5M	1-1/2"	9-3/16" (233)	3-3/4" (92)	2-1/2" (64)	2" (51)	6" (152)	—	1-3/8" (35)	36.0
OTB-6	OTB-6M	2"	11-5/8" (295)	4-5/8" (117)	3-1/8" (79)	2-9/16" (65)	8-1/16" (205)	—	1-5/8" (41)	70.0

X TYPE CONDUIT BODY*										
CATALOG NUMBER KILLARK ALUM.	DURALOY IRON	HUB SIZE	DIMENSIONS							VOLUME CU. IN.
			A	B	C	D	E	F	G	
OX-1	OX-1M	1/2"	5-3/8" (137)	1-3/4" (44)	1-11/16" (43)	1" (25)	3-5/32" (80)	—	5/8" (16)	4.0
OX-2	OX-2M	3/4"	6-1/16" (160)	2" (51)	2-7/8" (73)	1-7/32" (31)	3-25/32" (96)	—	3/4" (19)	7.0
OX-3	OX-3M	1"	7-1/8" (181)	2-1/4" (57)	3-3/8" (86)	1-15/32" (37)	4-17/32" (115)	—	15/16" (24)	12.0
OX-4	OX-4M	1-1/4"	9-3/16" (233)	2-9/16" (65)	4-1/2" (114)	2" (51)	6" (152)	—	1-3/16" (30)	32.0
OX-5	OX-5M	1-1/2"	9-3/16" (233)	2-3/4" (70)	4-1/2" (114)	2" (51)	6" (152)	—	1-3/8" (35)	36.0
OX-6	OX-6M	2"	11-5/8" (295)	3-3/8" (85)	5-1/4" (133)	2-9/16" (65)	8-1/16" (205)	—	1-5/8" (41)	70.0

* For conduit body packaged with cover and gasket, add CG to the catalog number.

FITTINGS

O SERIES / DURALOY® 5 SERIES



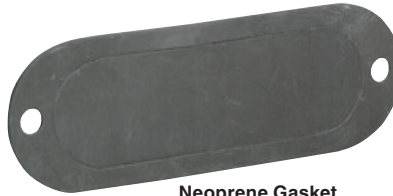
COVERS AND GASKETS



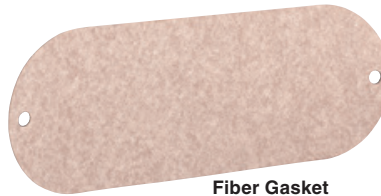
Aluminum and Steel Stamped Covers



Cast Iron Covers



Neoprene Gasket



Fiber Gasket

- Suitable for wet locations when used with gasketed covers.
- Federal Specification W-C-586D/A-A 50563.
- Suitable for use in hazardous location applications when installed according to NEC Articles 501.10(b), Class I, Div. 2, (Suitable for use in Class I Zone 2 applications) 502.10 and 503.10.

UL LISTED File No. E3397

SP Certified File No. LR11852

FEATURES-SPECIFICATIONS

DURALOY⁵

Stamped Material/Finish

Copper-free Aluminum
(less than 4/10 of 1%)

- Natural finish
- 300 Series stainless steel screws

Galvanized Steel

- Natural finish
- 300 Series stainless steel screws

Cast Material/Finish

Duraloy Malleable Iron

- Tri-coat finish of electrozinc, chromate sealant, and electrostatically applied powder coating
- 300 Series stainless steel screws

Material/Finish

- Neoprene or fiber

ALUMINUM AND STEEL STAMPED COVERS

CATALOG NUMBER		HUB SIZE	DIMENSIONS		
KILLARK ALUMINUM	STEEL		LENGTH	WIDTH	HEIGHT
OL-10	OL-10M	1/2"	3-15/16"(100)	1-3/8"(35)	3/8"(10)
OL-20	OL-20M	3/4"	4-5/8"(117)	1-5/8"(41)	3/8"(10)
OL-30	OL-30M	1"	5-3/8"(137)	1-7/8"(48)	5/8"(16)
OL-450	OL-45M	1-1/4"	7-3/16"(183)	2-5/8"(67)	5/8"(16)
OL-450	OL-45M	1-1/2"	7-3/16"(183)	2-5/8"(67)	5/8"(16)
OL-60	OL-60M	2"	9-1/2"(241)	3-1/8"(79)	5/8"(16)
OL-780	OL-78M	2-1/2"	12-1/4"(311)	4-3/8"(111)	5/8"(16)
OL-780	OL-78M	3"	12-1/4"(311)	4-3/8"(111)	5/8"(16)
OL-900	OL-90M	3-1/2"	14-7/8"(378)	5-1/2"(140)	5/8"(16)
OL-900	OL-90M	4"	14-7/8"(378)	5-1/2"(140)	5/8"(16)

CAST IRON COVERS

CATALOG NUMBER	HUB SIZE	DIMENSIONS		
		LENGTH	WIDTH	HEIGHT
OL-10CM	1/2"	3-15/16"(100)	1-3/8"(35)	3/8"(10)
OL-20CM	3/4"	4-5/8"(117)	1-5/8"(41)	3/8"(10)
OL-30CM	1"	5-3/8"(137)	1-7/8"(48)	5/8"(16)
OL-45CM	1-1/4"	7-3/16"(183)	2-5/8"(67)	5/8"(16)
OL-45CM	1-1/2"	7-3/16"(183)	2-5/8"(67)	5/8"(16)
OL-60CM	2"	9-1/2"(241)	3-1/8"(79)	5/8"(16)
OL-78CM	2-1/2"	12-1/4"(311)	4-3/8"(111)	5/8"(16)
OL-78CM	3"	12-1/4"(311)	4-3/8"(111)	5/8"(16)
OL-90CM	3-1/2"	14-7/8"(378)	5-1/2"(140)	5/8"(16)
OL-90CM	4"	14-7/8"(378)	5-1/2"(140)	5/8"(16)

GASKETS

HUB SIZE	CATALOG NUMBER	
	NEOPRENE	FIBER
1/2"	OLK-1RG	OLK-1VG
3/4"	OLK-2RG	OLK-2VG
1"	OLK-3RG	OLK-3VG
1-1/4"	OL-45-RG	OL-45-VG
1-1/2"	OL-45-RG	OL-45-VG
2"	OL-6-RG	OL-6-VG
2-1/2"	OL-78-RG	OL-78-VG
3"	OL-78-RG	OL-78-VG
3-1/2"	OL-90-RG	OL-90-VG
4"	OL-90-RG	OL-90-VG



ALUMINUM CONDUIT BODIES



C Type - COC-1,2,3



LB Type - COLB-1,2,3



C Type - COC-4,5,6



LB Type - COLB-4,5,6



Unit Packaging
Body/Cover/Gasket

UL LISTED File No. E3397

CSA Certified File No. LR11852

FEATURES-SPECIFICATIONS

Applications

To provide access to conductors for pulling, splicing, maintenance, and for future changes or upgrades. Combination bodies (1/2" - 2") for use with EMT or Rigid/IMC conduit. Sizes 2-1/2 and larger for use with EMT only (not threaded).

Features

- Combination bodies have threaded and set screw hubs
- Pre-packaged with body, cover and gasket.
- Covers furnished with stainless steel screws

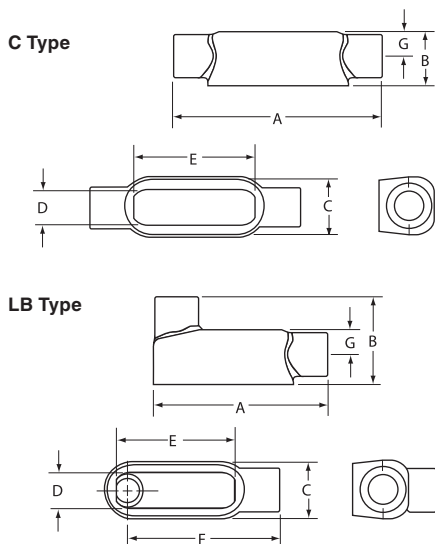
Material/Finish

Conduit Bodies – Die cast, copper-free aluminum (less than 4/10 of 1%) with electrostatically applied powder coating.

Covers – Stamped Aluminum/Natural Finish

Gaskets – Neoprene

Dimensions



C TYPE CONDUIT BODY										
CATALOG NUMBER	HUB SIZE	DIMENSIONS							VOLUME CU. IN.	
		A	B	C	D	E	F	G		
C	COC-1CG	1/2"	5-3/8" (137)	1-3/8" (35)	1-3/8" (35)	1" (25)	3-5/32" (80)	—	5/8" (16)	4.0
O	COC-2CG	3/4"	6-1/8" (156)	1-5/8" (41)	1-5/8" (41)	1-7/32" (31)	3-25/32" (96)	—	3/4" (19)	7.0
M	COC-3CG	1"	7-1/8" (181)	2" (51)	1-7/8" (48)	1-15/32" (37)	4-17/32" (115)	—	15/16" (24)	12.0
B	COC-4CG	1-1/4"	9-1/8" (232)	2-5/8" (67)	2-5/8" (67)	2" (51)	6" (152)	—	1-3/16" (30)	32.0
O	COC-5CG	1-1/2"	9-1/4" (235)	2-3/4" (70)	2-5/8" (67)	2" (51)	6" (152)	—	1-3/8" (32)	36.0
O	COC-6CG	2"	11-7/8" (302)	3-1/2" (89)	3-1/8" (79)	2-9/16" (65)	8-1/16" (205)	—	1-5/8" (38)	70.0
E	TWOC-7CG	2-1/2"	15-1/8" (384)	4" (102)	4-3/8" (111)	3-11/16" (94)	10-5/8" (270)	—	1-13/16" (54)	153.0
M	TWOC-8CG	3"	15-1/8" (384)	4-3/4" (121)	4-3/8" (111)	3-11/16" (94)	10-5/8" (270)	—	2-3/16" (54)	181.0
M	TWOC-9CG	3-1/2"	18-3/8" (467)	5-1/2" (140)	5-1/2" (140)	4-7/8" (124)	13-1/8" (333)	—	2-1/2" (67)	290.0
T	TWOC-0CG	4"	18-3/8" (467)	5-5/8" (143)	5-1/2" (140)	4-7/8" (124)	13-1/8" (333)	—	2-3/4" (67)	320.0

LB TYPE CONDUIT BODY										
CATALOG NUMBER	HUB SIZE	DIMENSIONS							VOLUME CU. IN.	
		A	B	C	D	E	F	G		
C	COLB-1CG	1/2"	4-17/32" (115)	2-9/32" (83)	1-3/8" (35)	1" (25)	3-5/32" (80)	4-3/8" (111)	5/8" (16)	4.0
O	COLB-2CG	3/4"	5-3/4" (146)	2-1/2" (64)	1-5/8" (41)	1-7/32" (31)	3-25/32" (96)	4-29/32" (125)	3/4" (19)	7.0
M	COLB-3CG	1"	6-5/8" (168)	2-29/32" (74)	1-7/8" (48)	1-15/32" (37)	4-17/32" (115)	5-23/32" (145)	15/16" (24)	12.0
B	COLB-4CG	1-1/4"	7-1/2" (191)	3-3/16" (81)	2-5/8" (67)	2" (51)	6" (152)	6-13/32" (162)	1-3/16" (30)	28.8
O	COLB-5CG	1-1/2"	9-1/8" (232)	4" (102)	2-5/8" (67)	2" (51)	6" (152)	17-3/4" (451)	1-3/8" (32)	36.0
O	COLB-6CG	2"	10" (254)	4-13/16" (122)	3-1/8" (79)	2-9/16" (65)	8-1/16" (205)	8-5/32" (207)	1-5/8" (38)	70.0
E	TWOLB-7CG	2-1/2"	13-15/16" (354)	6-1/8" (156)	4-3/8" (111)	3-11/16" (94)	10-5/8" (270)	11-7/16" (291)	2-1/2" (64)	142.0
M	TWOLB-8CG	3"	13-15/16" (354)	6-1/2" (165)	4-3/8" (111)	3-11/16" (94)	10-5/8" (270)	11-7/16" (291)	2-3/16" (54)	173.0
M	TWOLB-9CG	3-1/2"	16-7/8" (429)	7-9/16" (192)	5-1/2" (140)	4-7/8" (124)	13-1/8" (333)	13-3/4" (349)	2-1/2" (67)	292.0
T	TWOLB-0CG	4"	16-7/8" (429)	7-13/16" (198)	5-1/2" (140)	4-7/8" (124)	13-1/8" (333)	13-3/4" (349)	2-3/4" (70)	324.0

FITTINGS

CO & TWO SERIES



ALUMINUM CONDUIT BODIES



LL Type - COL-1,2,3



LL Type - COL-4,5,6



LR Type - COLR-1,2,3



LR Type - COLR-4,5,6

K-PAK®

Unit Packaging
Body/Cover/Gasket

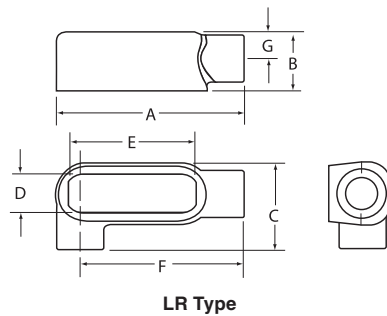
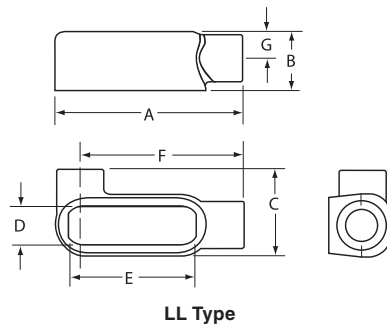
UL LISTED File No. E3397

SP Certified File No. LR11852

FEATURES-SPECIFICATIONS

See page F20 for Applications, Features and Standard Materials & Finish

Dimensions



LL TYPE CONDUIT BODY										
	CATALOG NUMBER	HUB SIZE	DIMENSIONS						VOLUME CU. IN.	
			A	B	C	D	E	F		G
C	COLL-1CG	1/2"	4-5/8" (117)	1-3/8" (35)	2" (51)	1" (25)	3-5/32" (80)	—	5/8" (16)	4.0
	COLL-2CG	3/4"	5-3/8" (137)	1-5/8" (41)	2-3/16" (56)	1-7/32" (31)	3-25/32" (96)	—	3/4" (19)	7.0
	COLL-3CG	1"	6-1/4" (159)	2" (51)	2-9/16" (65)	1-15/32" (37)	4-17/32" (115)	—	15/16" (24)	12.0
M	COLL-4CG	1-1/4"	8-1/8" (206)	2-5/8" (67)	3-1/2" (89)	2" (51)	6" (152)	—	1-3/16" (30)	32.0
	COLL-5CG	1-1/2"	8-1/8" (206)	2-3/4" (70)	3-1/2" (89)	2" (51)	6" (152)	—	1-3/8" (32)	31.0
O	COLL-6CG	2"	10-9/16" (268)	3-1/2" (89)	4-3/16" (106)	2-9/16" (65)	8-1/16" (205)	—	1-5/8" (38)	70.0
E	TWOLL-7CG	2-1/2"	13-11/16" (348)	4" (102)	5-3/4" (146)	3-11/16" (94)	10-5/8" (270)	—	1-13/16" (46)	142.0
	TWOLL-8CG	3"	13-11/16" (348)	4-3/4" (121)	5-3/4" (146)	3-11/16" (94)	10-5/8" (270)	—	2-3/16" (54)	173.0
M	TWOLL-9CG	3-1/2"	16-1/2" (419)	5-1/2" (140)	7-1/8" (181)	4-7/8" (124)	13-1/8" (333)	—	2-1/2" (67)	292.0
T	TWOLL-0CG	4"	16-1/2" (419)	5-5/8" (143)	7-1/8" (181)	4-7/8" (124)	13-1/8" (333)	—	2-3/4" (67)	324.0

LR TYPE CONDUIT BODY										
	CATALOG NUMBER	HUB SIZE	DIMENSIONS						VOLUME CU. IN.	
			A	B	C	D	E	F		G
C	COLR-1CG	1/2"	4-5/8" (117)	1-3/8" (35)	2" (51)	1" (25)	3-5/32" (80)	4-3/8" (111)	5/8" (16)	4.0
	COLR-2CG	3/4"	5-3/8" (137)	1-5/8" (41)	2-3/16" (56)	1-7/32" (31)	3-25/32" (96)	4-29/32" (125)	3/4" (19)	7.0
	COLR-3CG	1"	6-1/4" (159)	2" (51)	2-9/16" (65)	1-15/32" (37)	4-17/32" (115)	5-23/32" (145)	15/16" (24)	12.0
M	COLR-4CG	1-1/4"	8-1/8" (206)	2-5/8" (67)	3-1/2" (89)	2" (51)	6" (152)	6-13/32" (162)	1-3/16" (30)	32.0
	COLR-5CG	1-1/2"	8-1/8" (206)	2-3/4" (70)	3-1/2" (89)	2" (51)	6" (152)	17-3/4" (451)	1-3/8" (32)	31.0
O	COLR-6CG	2"	10-9/16" (268)	3-1/2" (89)	4-3/16" (106)	2-9/16" (65)	8-1/16" (205)	9-5/32" (233)	1-5/8" (38)	70.0
E	TWOLR-7CG	2-1/2"	13-11/16" (348)	4" (102)	5-3/4" (146)	3-11/16" (93)	10-5/8" (270)	11-7/16" (291)	1-13/16" (54)	142.0
	TWOLR-8CG	3"	13-11/16" (348)	4-3/4" (121)	5-3/4" (146)	3-11/16" (93)	10-5/8" (270)	11-7/16" (291)	2-3/16" (54)	173.0
M	TWOLR-9CG	3-1/2"	16-1/2" (419)	5-1/2" (140)	7-1/8" (181)	4-7/8" (124)	13-1/8" (333)	13-3/4" (349)	2-1/2" (67)	292.0
T	TWOLR-0CG	4"	16-1/2" (419)	5-5/8" (143)	7-1/8" (181)	4-7/8" (124)	13-1/8" (333)	13-3/4" (349)	2-3/4" (67)	324.0



ALUMINUM CONDUIT BODIES



T Type - COT-1,2,3



NEOPRENE GASKET



Unit Packaging
Body/Cover/Gasket

UL LISTED File No. E3397

SR Certified File No. LR11852



T Type - COT-4,5,6

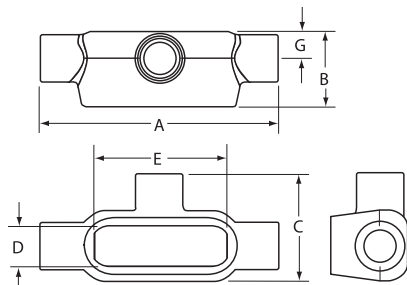


ALUMINUM STAMPED COVER

FEATURES-SPECIFICATIONS

See page F20 for Applications, Features and Standard Materials & Finish

Dimensions



T Type

T TYPE CONDUIT BODY										
CATALOG NUMBER	HUB SIZE	DIMENSIONS							VOLUME CU. IN.	
		A	B	C	D	E	F	G		
C	COT-1CG	1/2"	5-3/8" (137)	1-3/8" (35)	2" (35)	1" (25)	3-5/32" (80)	—	5/8" (16)	4.0
	COT-2CG	3/4"	6-1/16" (154)	1-5/8" (41)	2-3/16" (67)	1-7/32" (31)	3-25/32" (96)	—	3/4" (19)	7.0
	COT-3CG	1"	7-1/16" (181)	2" (51)	2-9/16" (65)	1-15/32" (37)	4-17/32" (115)	—	15/16" (24)	12.0
M	COT-4CG	1-1/4"	9-3/16" (233)	2-5/8" (67)	3-1/2" (89)	2" (51)	6" (152)	—	1-3/16" (30)	32.0
	COT-5CG	1-1/2"	9-3/16" (233)	2-3/4" (70)	3-1/2" (89)	2" (51)	6" (152)	—	1-3/8" (32)	33.0
O	COT-6CG	2"	11-5/8" (295)	3-1/2" (89)	4-3/16" (106)	2-9/16" (65)	8-1/16" (205)	—	1-5/8" (38)	70.0
E	TWOT-7CG	2-1/2"	15-1/8" (384)	4" (102)	5-3/4" (146)	3-11/16" (94)	10-5/8" (270)	—	1-13/16" (54)	142.0
	TWOT-8CG	3"	15-1/8" (384)	4-3/4" (121)	5-3/4" (146)	3-11/16" (94)	10-5/8" (270)	—	2-3/16" (54)	173.0
M	TWOT-9CG	3-1/2"	18-1/8" (460)	5-1/2" (140)	7-1/8" (181)	4-7/8" (124)	13-1/8" (333)	—	2-1/2" (67)	292.0
T	TWOT-0CG	4"	18-1/8" (460)	5-5/8" (143)	7-1/8" (181)	4-7/8" (124)	13-1/8" (333)	—	2-3/4" (67)	324.0

NEOPRENE REPLACEMENT GASKETS	
CATALOG NUMBER	HUB SIZE
OLK-1RG	1/2"
OLK-2RG	3/4"
OLK-3RG	1"
OL-45-RG	1-1/4"
OL-45-RG	1-1/2"
OL-6-RG	2"
OL-78-RG	2-1/2"
OL-78-RG	3"
OL-90-RG	3-1/2"
OL-90-RG	4"

ALUMINUM REPLACEMENT COVERS				
CATALOG NUMBER	HUB SIZE	DIMENSIONS		
		LENGTH	WIDTH	HEIGHT
OL-10	1/2"	3-15/16"(100)	1-3/8"(35)	3/8"(10)
OL-20	3/4"	4-5/8"(117)	1-5/8"(41)	3/8"(10)
OL-30	1"	5-3/8"(137)	1-7/8"(48)	5/8"(16)
OL-450	1-1/4"	7-3/16"(183)	2-5/8"(67)	5/8"(16)
OL-450	1-1/2"	7-3/16"(183)	2-5/8"(67)	5/8"(16)
OL-60	2"	9-1/2"(241)	3-1/8"(79)	5/8"(16)
OL-780	2-1/2"	12-1/4"(311)	4-3/8"(111)	5/8"(16)
OL-780	3"	12-1/4"(311)	4-3/8"(111)	5/8"(16)
OL-900	3-1/2"	14-7/8"(378)	5-1/2"(140)	5/8"(16)
OL-900	4"	14-7/8"(378)	5-1/2"(140)	5/8"(16)



FITTINGS

IRON AND ALUMINUM MOGUL CONDUIT BODIES



LB TYPE



C TYPE

- Suitable for wet locations when used with gasketed covers.
- Federal Specification W-C-586D / A-A 50563.
- Suitable for use in hazardous location applications when installed according to NEC Articles 501.10(b), Class I, Div. 2, (Suitable for use in Class I Zone 2 applications) 502.10, and 503.10.



FEATURES-SPECIFICATIONS

Applications

- Mogul fittings are for use with rigid and IMC raceways
- Use where standard conduit bodies do not provide adequate access and wiring area for the pulling of large and heavy conductors
- For right angle bends where splices, pulls and taps are needed in a weather-proof chamber

Features

- A raised dome cover permits additional wiring room
- Furnished with captive ss screws and gasket
- LBD, C and UB Series available with built-in cable-pulling rollers on sizes 1-1/2" and larger. Add -WR to catalog number. Example MOLBD-5-WR.

Material/Finish

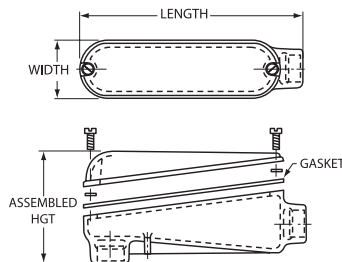
- Cast iron moguls are hot dipped galvanized
- Aluminum moguls are of copper-free aluminum (less than 4/10 of 1%) with electrostatically applied powder coating

LB TYPE MOGUL CONDUIT BODY						
CATALOG NUMBER		HUB SIZE	LENGTH	ASSEMBLED HEIGHT	WIDTH	6X LENGTH
KILLARK ALUM.	KILLARK IRON					
MOLBD-1	MOLBD-1M	1/2"	5" (127)	2-5/16" (59)	1-5/16" (33)	3" (76)
MOLBD-2	MOLBD-2M	3/4"	6-1/4" (159)	2-5/8" (67)	1-9/16" (40)	4-1/2" (114)
MOLBD-3	MOLBD-3M	1"	9-5/8" (244)	3-5/8" (92)	2-1/2" (64)	7-1/2" (191)
MOLBD-4	MOLBD-4M	1-1/4"	9-5/8" (244)	3-5/8" (92)	2-1/2" (64)	7-1/2" (191)
MOLBD-5	MOLBD-5M	1-1/2"	14-7/16" (367)	5-5/8" (143)	3" (76)	12" (305)
MOLBD-6	MOLBD-6M	2"	14-7/16" (367)	5-5/8" (143)	3" (76)	12" (305)
MOLBD-7	MOLBD-7M	2-1/2"	22" (559)	7-1/2" (191)	4-1/2" (114)	18" (457)
MOLBD-8	MOLBD-8M	3"	22" (559)	7-1/2" (191)	4-1/2" (114)	18" (457)
MOLBD-9	MOLBD-9M	3-1/2"	28-1/2" (724)	9-1/4" (235)	5-1/2" (140)	24" (610)
MOLBD-0	MOLBD-0M	4"	28-1/2" (724)	9-1/4" (235)	5-1/2" (140)	24" (610)

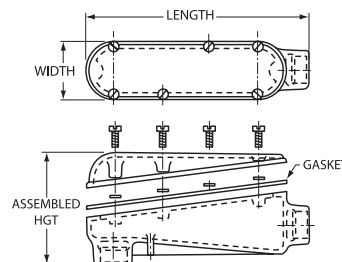
NOTE - For built-in cable rollers (on sizes 1-1/2" and larger), add -WR to catalog number. Example: MOLBD-5WR.

C TYPE MOGUL CONDUIT BODY						
CATALOG NUMBER		HUB SIZE	LENGTH	ASSEMBLED HEIGHT	WIDTH	8X LENGTH
KILLARK ALUM.	KILLARK IRON					
MOC-3	MOC-3M	1"	12" (305)	3" (76)	2-5/8" (67)	10" (254)
MOC-4	MOC-4M	1-1/4"	12-1/16" (306)	3-5/16" (84)	2-5/8" (67)	10" (254)
MOC-5	MOC-5M	1-1/2"	18-1/8" (460)	3-7/8" (98)	3-3/16" (81)	16" (406)
MOC-6	MOC-6M	2"	18-1/16" (459)	4-7/16" (113)	3-3/16" (81)	16" (406)
MOC-7	MOC-7M	2-1/2"	27-1/8" (689)	5-3/16" (132)	4-11/16" (119)	24" (610)
MOC-8	MOC-8M	3"	27-1/4" (692)	5-15/16" (151)	4-11/16" (119)	24" (610)
MOC-9	MOC-9M	3-1/2"	35-3/8" (899)	7-3/16" (183)	5-11/16" (144)	32" (813)
MOC-0	MOC-0M	4"	35-7/16" (900)	7-9/16" (192)	5-11/16" (144)	32" (813)

NOTE - For built-in cable rollers (on sizes 1-1/2" and larger), add -WR to catalog number. Example: MOLBD-5WR.



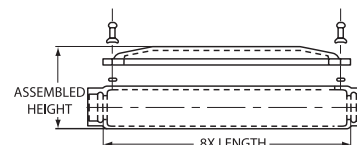
LB Sizes 1" thru 2"



LB Sizes 2-1/2" thru 4"



C Sizes





IRON AND ALUMINUM MOGUL CONDUIT BODIES



T TYPE



UB TYPE

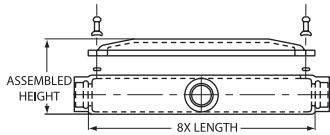
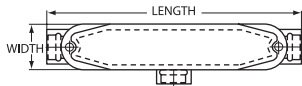
- Suitable for wet locations when used with gasketed covers.
- Federal Specification W-C-586D / A-A 50563.
- Suitable for use in hazardous location applications when installed according to NEC Articles 501.10(b), Class I, Div. 2, (Suitable for use in Class I Zone 2 applications) 502.10, and 503.10.



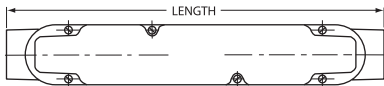
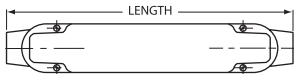
FEATURES-SPECIFICATIONS

See page F23 for Standard Materials & Finish

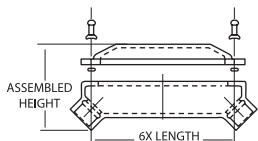
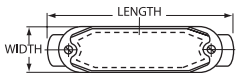
Dimensions



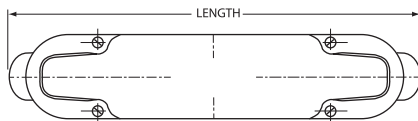
T Sizes 1" thru 2"



T Sizes 2-1/2" thru 4"



UB Sizes 1" thru 2"



UB Sizes 2-1/2" thru 4"

T TYPE						
CATALOG NUMBER		HUB SIZE	LENGTH	ASSEMBLED HEIGHT	WIDTH	8X LENGTH
KILLARK ALUM.	KILLARK IRON					
MOT-3	MOT-3M	1"	12" (305)	3" (76)	2-5/8" (67)	10" (254)
MOT-4	MOT-4M	1-1/4"	12-1/16" (306)	3-5/16" (84)	2-5/8" (67)	10" (254)
MOT-5	MOT-5M	1-1/2"	18-1/8" (460)	3-7/8" (98)	3-3/16" (81)	16" (406)
MOT-6	MOT-6M	2"	18-1/16" (459)	4-7/16" (113)	3-3/16" (81)	16" (406)
MOT-7	MOT-7M	2-1/2"	27-1/8" (689)	5-3/16" (132)	4-11/16" (119)	24" (610)
MOT-8	MOT-8M	3"	27-1/4" (692)	5-15/16" (151)	4-11/16" (119)	24" (610)
MOT-9	MOT-9M	3-1/2"	35-3/8" (899)	7-3/16" (183)	5-11/16" (144)	32" (813)
MOT-0	MOT-0M	4"	35-7/16" (900)	7-9/16" (192)	5-11/16" (144)	32" (813)

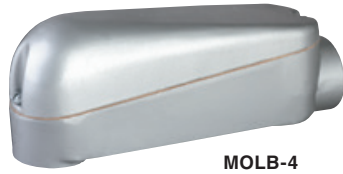
UB TYPE						
CATALOG NUMBER		HUB SIZE	LENGTH	ASSEMBLED HEIGHT	WIDTH	6X LENGTH
KILLARK ALUM.	KILLARK IRON					
MOUB-3	MOUB-3M	1"	10-7/16" (265)	3-7/8" (98)	2-5/8" (67)	7-1/2" (191)
MOUB-4	MOUB-4M	1-1/4"	10-7/16" (265)	4-3/16" (106)	2-5/8" (67)	7-1/2" (191)
MOUB-5	MOUB-5M	1-1/2"	15-9/16" (395)	5-1/8" (130)	3-3/16" (81)	12" (305)
MOUB-6	MOUB-6M	2"	15-9/16" (395)	5-3/4" (146)	3-3/16" (81)	12" (305)
MOUB-7	MOUB-7M	2-1/2"	23-1/16" (586)	8-1/2" (216)	4-11/16" (119)	18" (457)
MOUB-8	MOUB-8M	3"	23-5/16" (668)	8-1/2" (216)	4-11/16" (119)	18" (457)
MOUB-9	MOUB-9M	3-1/2"	30" (762)	10-3/8" (264)	5-11/16" (144)	24" (610)
MOUB-0	MOUB-0M	4"	30" (762)	10-3/8" (264)	5-11/16" (144)	24" (610)

NOTE - For built-in cable rollers (on sizes 1-1/2" and larger), add -WR to catalog number. Example: MOLBD-5WR.



FITTINGS

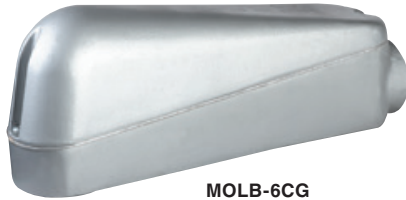
MOGUL CONDUIT BODIES



MOLB-4



MOLB-5 thru 0



MOLB-6CG



MLB-12

- Suitable for wet locations when used with gasketed covers.
- Federal Specification W-C-586D / A-A 50563.
- Suitable for use in hazardous location applications when installed according to NEC Articles 501.10(b), Class 1, Div. 2, (Suitable for use in Class I Zone 2 applications) 502.10, and 503.10.



FEATURES-SPECIFICATIONS

Applications

- Mogul fittings are normally used where the standard "O" Series conduit bodies do not offer a sufficient amount of wiring room
- For right angle bends where splices, pulls and taps are needed in a weather-proof chamber

Features

- A raised dome cover provides additional wiring room
- Furnished with cover and gasket

Material/Finish

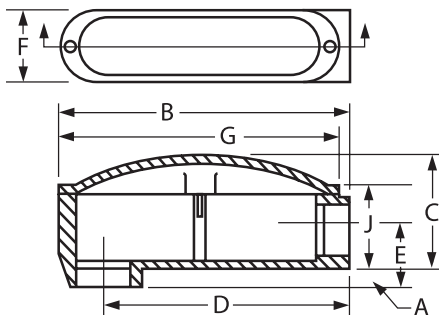
Copper-free Aluminum
(less than 4/10 of 1%)

- Electrostatically applied powder coating

		MOL CONDUIT BODIES							
CATALOG NUMBER	CONDUIT SIZE	DIMENSIONS							
		A	B	C	D	E	F	G	J
MOLB-4*	1-1/4"	5/16" (8)	9-3/4" (248)	2-3/4" (70)	8-1/2" (445)	1" (25)	2-3/8" (60)	9-1/8" (232)	2-3/4" (70)
MOLB-5	1-1/2"	1-5/16" (33)	13-3/16" (335)	4-3/4" (121)	11-1/2" (292)	2-3/8" (60)	3-1/8" (79)	12-7/8" (327)	3-3/8" (86)
MOLB-6	2"	1-1/16" (27)	13-3/16" (335)	4-1/4" (108)	11-1/2" (292)	2-1/2" (64)	3-1/8" (79)	12-7/8" (327)	3-3/8" (86)
MOLB-6CG*	2"	1/16" (2)	14-1/2" (368)	5-3/4" (146)	13" (330)	1-3/8" (35)	3" (76)	14-1/8" (359)	3-5/16" (84)
MOLB-7	2-1/2"	1-13/16" (46)	22-5/8" (575)	6-1/4" (159)	20" (508)	3-15/16" (100)	4-7/16" (113)	21-13/16" (554)	4-7/16" (113)
MOLB-8	3"	1-13/16" (46)	22-5/8" (575)	6-1/4" (169)	20" (508)	3-15/16" (100)	4-7/16" (113)	21-13/16" (554)	4-7/16" (113)
MOLB-9	3-1/2"	1-9/16" (40)	28-11/16" (729)	7-7/8" (200)	25-9/16" (649)	4-3/16" (106)	5-1/2" (140)	28-5/16" (719)	5-1/2" (140)
MOLB-0	4"	1-9/16" (40)	28-11/16" (729)	7-7/8" (200)	25-7/16" (646)	4-3/16" (106)	5-1/2" (140)	28-5/16" (719)	5-1/2" (140)
MLB-12*	5"	2-3/8" (68)	43-1/4" (1099)	12-1/4" (311)	38-5/8" (981)	6-1/4" (159)	9" (229)	42-1/2" (1080)	8-11/16" (221)

*Split cover design

Dimensions



MOL BLANK REPLACEMENT COVERS AND GASKETS	
CATALOG NUMBER	BODY STYLE
MOL-560	1-1/2" & 2"
MOL-780	2-1/2" & 3"
MOL-900	3-1/2" & 4"



40% FILL CONDUIT BODIES



NECLB-6

- Suitable for wet locations when used with gasketed covers.
- Federal Specification W-C-586D / A-A 50563.
- Suitable for use in hazardous location applications when installed according to NEC Articles 501.10(b), Class I, Div. 2, (Suitable for use in Class I Zone 2 applications) 502-.10 and 503.10.



File E3397

See files for details or call Killark.

FEATURES-SPECIFICATIONS

Applications

- Specially designed to meet National Electrical Code Article 370-28(a) (2) for angle pulls where the distance between the raceway entry and the opposite wall of the fitting must be at least six times the trade diameter of the raceway.
- A pull box with easy access to conductors

- A chamber with a large opening for easy access to perform changes in the conduit system
- For 90° bends in a conduit system
- Includes cover and gasket

Features

Large cover opening (length of opening exceeds six times the trade diameter of the hub size) for easy access to conductors. Cover and gasket included

Material/Finish

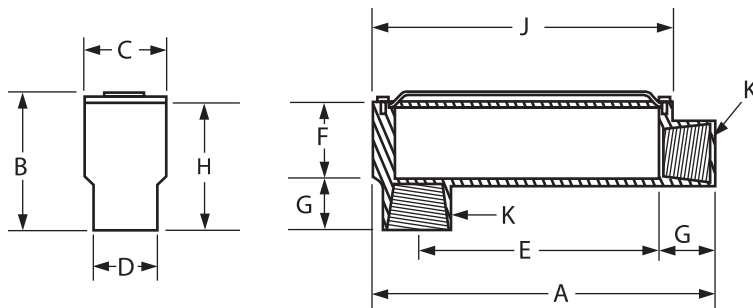
Copper-free Aluminum
(less than 4/10 of 1%)

- Electrostatically applied powder coating

NECLB CONDUIT BODIES

CATALOG NUMBER	REPLACEMENT COVER AND GASKET	HUB SIZE	A	B	C	D	E	F	G	H	J	K
NECLB-3	NECLB-30	1"	8-1/8"	3-7/16"	2"	11-9/32"	6"	2"	1-1/8"	3-1/8"	7"	1 NPT
NECLB-4	NECLB-40	1-1/4"	9-7/8"	4-1/16"	2-3/8"	11-5/16"	7-1/2"	2-1/2"	1-3/16"	3-11/16"	8-5/8"	1-1/4 NPT
NECLB-5	NECLB-50	1-1/2"	11-17/32"	5-1/16"	2-3/4"	2-3/16"	9"	3-1/2"	1-3/16"	4-11/16"	10-5/8"	1-1/2 NPT
NECLB-6	NECLB-60	2"	14-25/32"	6-3/16"	3"	2-11/16"	12"	4"	1-3/16"	5-3/16"	13-11/16"	2 NPT

Dimensions



FITTINGS

SLB/SLBM/SOLB/MLB SERIES



SERVICE ENTRANCE • STANDARD AND HOSTILE LOCATIONS



SLB-1 thru 7



SOLB-8, 9, 0



SLBM-4



MLB-12

- Suitable for wet locations when used with gasketed covers.
- Federal Specification W-C-586D / A-A 50563.
- Suitable for use in hazardous location applications when installed according to NEC Articles 501.10(b), Class 1, Div. 2, (Suitable for use in Class I Zone 2 applications) 502.10 and 503.10.

- File E22698

Certified - File LR11852
See files for details or call Killark

FEATURES-SPECIFICATIONS

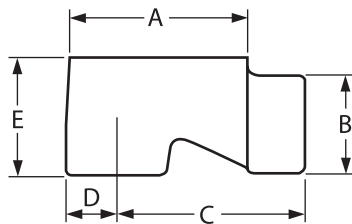
Features

- Designed for easier wire pulling
- Includes Cover and Gasket

Material/Finish

Copper-free Aluminum
(less than 4/10 of 1%)

- Electrostatically applied powder coating



SERVICE ENTRANCE BODIES

CATALOG NUMBER	CONDUIT SIZE	A	B	C	D	E	F
SLB-1	1/2"	2-3/4" (70)	1-1/16" (27)	2-3/8" (60)	3/4" (19)	1-3/8" (35)	1-3/16" (30)
SLB-2	3/4"	3-1/8" (79)	1-3/8" (35)	2-11/16" (68)	7/8" (22)	1-11/16" (43)	1-3/8" (35)
SLB-3	1"	3-3/4" (95)	1-5/8" (41)	3-1/4" (83)	15/16" (24)	1-15/16" (49)	1-3/4" (44)
SLB-4	1-1/4"	5" (127)	2" (51)	4-5/16" (110)	1-1/4" (32)	2-1/2" (64)	2-3/16" (56)
SLBM-4	1-1/4"	7-1/4" (184)	1-15/16" (49)	6-3/8" (162)	15/16" (24)	2-5/8" (67)	2-1/2" (64)
SLB-5	1-1/2"	5-3/4" (147)	2-7/16" (62)	4-3/4" (121)	1-1/2" (38)	2-9/16" (65)	2-7/16" (62)
SLB-6	2"	6-1/4" (159)	2-15/16" (75)	5" (127)	1-5/8" (41)	3-1/8" (79)	2-13/16" (71)
SLBM-6	2"	9-1/2" (241)	2-11/16" (68)	8-9/16" (217)	11-3/16" (284)	3-7/16" (87)	3-1/8" (79)
SLB-7	2-1/2"	8" (203)	3-9/16" (90)	6-7/8" (175)	11-5/16" (287)	4" (102)	3-1/2" (89)
SOLB-8	3"	12-1/4" (311)	4-7/16" (113)	10-7/16" (265)	11-3/16" (284)	6-1/4" (159)	4-7/16" (113)
SOLB-9	3-1/2"	15" (381)	5" (127)	11-7/8" (302)	3-1/8" (79)	7-1/2" (191)	5-1/2" (140)
SOLB-0	4"	15" (381)	5" (127)	11-7/8" (302)	3-1/8" (79)	7-1/2" (191)	5-1/2" (140)
MLB-12	5"	42-1/2" (1080)	8-11/16" (221)	38-5/8" (981)	4-5/8" (118)	12-1/4" (311)	9" (229)



CONDUIT HUBS



WH

WH with Ground

- Suitable for use in hazardous location applications when installed according to NEC Articles 501.10(b), Class I, Div. 2, (Suitable for use in Class I Zone 2 applications) 502.10, 503.10 and 505-15.
- Suitable for use with NEMA type enclosures 2, 3, 3R, 4, 12 and 13.



FEATURES-SPECIFICATIONS

Applications

Conduit hubs provide a liquid tight, oil tight and dust tight termination of electrical conduit through the walls of sheet metal enclosures. The hubs fit into standard knock-out dimensions.

Features

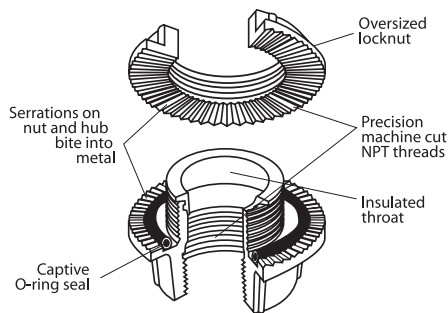
- Oversized locknut provides for a strong vibration-proof termination
- Captive sealing ring
- Serrations on hub body and locknut provide effective positive ground path
- Rugged cast zinc construction
- Insulated throat protects conductors
- Suitable for use with NEMA type enclosures 2, 3, 3R, 4, 12 and 13
- Available with grounding provision

Material/Finish

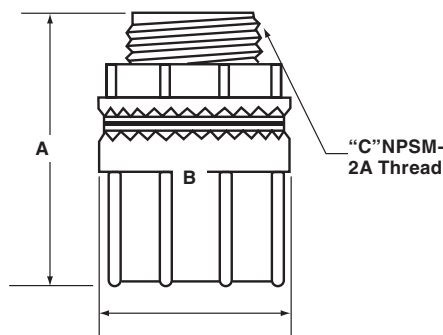
- Die cast zinc or Die cast aluminum
- Natural finish
- Sealing ring – Buna-N

DIE CAST ZINC WH WEATHERPROOF CONDUIT HUBS		
CATALOG NO. W/O GROUND	CATALOG NO. WITH GROUND	NPT HUB SIZE
WH-1	WH-1G	1/2"
WH-2	WH-2G	3/4"
WH-3	WH-3G	1"
WH-4	WH-4G	1-1/4"
WH-5	WH-5G	1-1/2"
WH-6	WH-6G	2"
WH-7	WH-7G	2-1/2"
WH-8	WH-8G	3"
WH-9	WH-9G	3-1/2"
WH-0	WH-0G	4"

DIE CAST ALUMINUM WH WEATHERPROOF CONDUIT HUBS		
CATALOG NO. W/O GROUND	CATALOG NO. WITH GROUND	NPT HUB SIZE
WH-1A	WH-1AG	1/2"
WH-2A	WH-2AG	3/4"
WH-3A	WH-3AG	1"
WH-4A	WH-4AG	1-1/4"
WH-5A	WH-5AG	1-1/2"
WH-6A	WH-6AG	2"
WH-7A	WH-7AG	2-1/2"
WH-8A	WH-8AG	3"
WH-9A	WH-9AG	3-1/2"
WH-0A	WH-0AG	4"



DIMENSIONS			
CATALOG NUMBER	A	B	C
WH-1	1.500"	1.437"	1/2"-14
WH-2	1.510"	1.685"	3/4"-14
WH-3	1.812"	1.921"	1"-11-1/2
WH-4	1.877"	2.370"	1-1/4"-11-1/2
WH-5	1.920"	2.745"	1-1/2"-11-1/2
WH-6	1.895"	3.236"	2"-11-1/2
WH-7	2.605"	3.708"	2-1/2"-8
WH-8	2.615"	4.370"	3"-8
WH-9	2.570"	4.941"	3-1/2"-8
WH-0	2.590"	5.450"	4"-8





FITTINGS

CONDUIT HUBS IN STAINLESS STEEL



WH-3SSG with Ground



- Suitable for use in hazardous location applications when installed according to NEC Articles 501.10(B), Class I, Div. 2, (Suitable for use in Class I Zone 2 applications) 502.10, 503.10 and 505-15.
- Suitable for use with NEMA type enclosures 2, 3, 3R, 4, 4x 12 and 13.



cULus Certified to CSA Standards by UL

FEATURES-SPECIFICATIONS

Applications

Conduit hubs provide a liquid tight, oil tight and dust tight termination of electrical conduit through the walls of sheet metal enclosures. The hubs fit into standard knockout dimensions.

Features

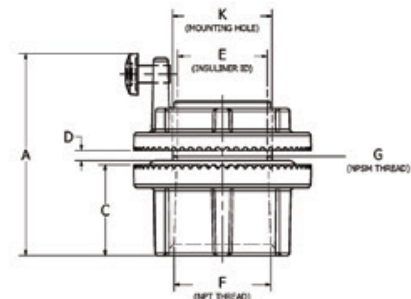
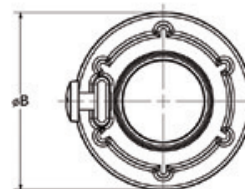
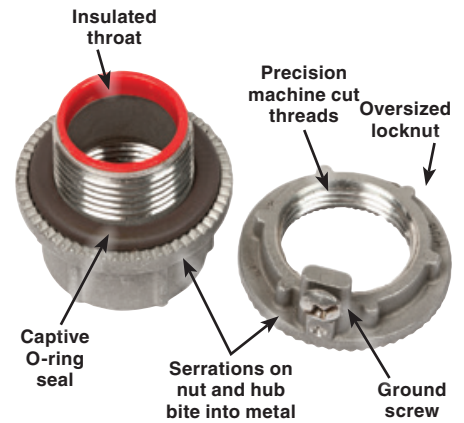
- Oversized locknut provides for a strong vibration-proof termination
- Captive sealing ring
- Serrations on hub body and locknut provide effective positive ground path
- Rugged 316 Stainless Steel
- Insulated throat protects conductors
- Suitable for use with NEMA type enclosures 2, 3, 3R, 4, 4x, 12 and 13
- Grounding provision for added safety

Material/Finish

- Nut and body 316 Stainless Steel
- Natural finish
- Sealing ring gasket - Viton
- Insuliner - Lexan
- Ground screw - Stainless steel

WH WEATHERPROOF CONDUIT HUBS			
CATALOG NUMBER	FEMALE NPT HUB SIZE	MAX. COPPER ^① GROUND WIRE SIZE	
WH-1SSG	1/2"	#8	#8
WH-2SSG	3/4"	#8	#8
WH-3SSG	1"	#8	#8
WH-4SSG	1-1/4"	#8	#8
WH-5SSG	1-1/2"	#8	#6
WH-6SSG	2"	#8	#4
WH-7SSG	2-1/2"	#6	#2
WH-8SSG	3"	#6	1/0
WH-9SSG	3-1/2"	#6	2/0
WH-0SSG	4"	#4	2/0

^① Use of wire terminal is recommended by UL and required by CSA for wire gauges over 10 AWG



"D" Dimension indicates maximum panel thickness hub will accommodate.

DIMENSIONS											
CAT. NUMBER	HUB SIZE	A	B	C	D	Ø E		F (NPT)	G (NPSM)	Ø K	
						MIN.	MAX.			MIN.	MAX.
WH-1SSG	1/2"	1-3/4" (44.45)	1-7/16" (36.51)	13/16" (20.64)	3/16" (4.76)	0.575	0.590	1/2"	1/2"	0.850	0.875
WH-2SSG	3/4"	2-1/16" (52.38)	1-11/16" (42.86)	57/64" (22.62)	3/16" (4.76)	0.780	0.800	3/4"	3/4"	1.060	1.090
WH-3SSG	1"	2-1/4" (57.15)	2" (50.8)	1-3/64" (26.59)	1/4" (6.35)	0.990	1.010	1"	1"	1.320	1.350
WH-4SSG	1-1/4"	2-9/32" (57.94)	2-3/8" (60.32)	1-1/32" (26.19)	1/4" (6.35)	1.270	1.290	1-1/4"	1-1/4"	1.660	1.690
WH-5SSG	1-1/2"	2-19/64" (58.30)	2-3/4" (69.85)	1-1/64" (25.79)	1/4" (6.35)	1.480	1.500	1-1/2"	1-1/2"	1.900	1.930
WH-6SSG	2"	2-25/64" (60.70)	3-1/4" (82.55)	1-3/32" (27.78)	1/4" (6.35)	1.930	1.950	2"	2"	2.380	2.410
WH-7SSG	2-1/2"	3-3/16" (80.90)	3-11/16" (93.66)	1-17/32" (38.89)	1/4" (6.35)	2.230	2.250	2-1/2"	2-1/2"	2.870	2.900
WH-8SSG	3"	3-3/16" (80.90)	4-19/64" (109.14)	1-17/32" (38.89)	1/4" (6.35)	2.870	2.890	3"	3"	3.490	3.520
WH-9SSG	3-1/2"	3-13/64" (81.36)	5" (127.00)	1-19/32" (40.48)	1/4" (6.35)	3.300	3.320	3-1/2"	3-1/2"	3.990	4.020
WH-0SSG	4"	3-5/32" (80.20)	5-15/32" (138.90)	1-17/32" (38.89)	1/4" (6.35)	3.750	3.770	4"	4"	4.500	4.530



PULLING ELBOW & DUCT SEAL • STANDARD AND HOSTILE LOCATIONS



UL LISTED - File E E22699

SP Certified - File LR11852

See files for details or call Killark.

FEATURES-SPECIFICATIONS

Applications

- 90° pulling elbows are used to accommodate pulling conductors through a sharp bend in the conduit system

Features

- Designed for easier wire pulling
- Includes Cover and Gasket

Material/Finish

Copper-free Aluminum
(less than 4/10 of 1%)

- Electrostatically applied powder coating

PULLING ELBOWS FOR THREADED CONDUIT		
CATALOG NUMBER	HUB SIZE	TYPE
CL-1	1/2"	CL
CL-2	3/4"	
CL-3	1"	
CLM-1	1/2"	CLM
CLM-2	3/4"	
CLM-3	1"	

© Raintight/concrete tight

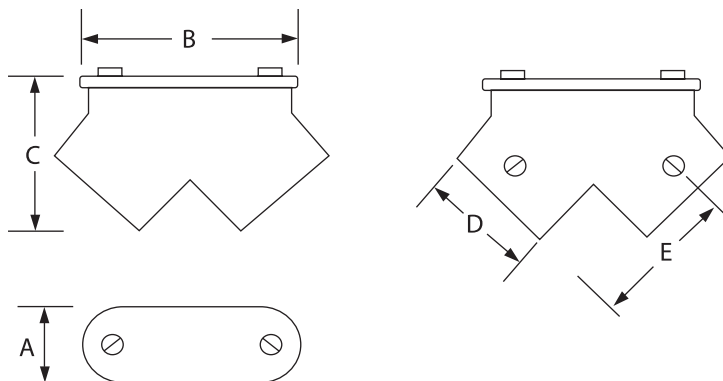
PULLING ELBOWS FOR THINWALL CONDUIT	
CATALOG NUMBER	HUB SIZE
TWCL-1	1/2"
TWCL-2	3/4"

© Set screw in each hub

Duct Seal is a soft, non-hardening weather-proof compound, easily applied in all working temperatures. It is non-staining, can be painted, is an excellent moisture barrier for weather-sealing service entries, electrical cables, conduit ducts, etc.

DUCT SEAL	
CATALOG NUMBER	SIZE
DS-1	1-lb.
DS-5	5-lb.

DIMENSIONS					
SIZE	A	B	C	D	E
1/2"	1-1/4" (32)	2-9/16" (65)	1-3/8" (35)	1-1/4" (32)	1-7/16" (37)
3/4"	1-3/8" (35)	2-3/4" (70)	1-9/16" (40)	1-3/8" (35)	1-17/32" (39)
1"	1-3/4" (44)	3-1/8" (79)	1-3/4" (44)	1-3/4" (44)	1-23/32" (44)



FITTINGS

FB/STFB SERIES



SERVICE ENTRANCE • STANDARD AND HOSTILE LOCATIONS



FB



STFB



- File E22698

See files for details or call Killark.

FEATURES-SPECIFICATIONS

Weather-proof for threaded conduit.

Applications

- For overhead service entrance
- For use with threaded rigid conduit

Features

- For use with aluminum or steel conduit
- Insulators included
- Easy installation and assembly
- Variety of knockout arrangements
- Vertical mounting
- Sizes 1/2" thru 4" available

Material/Finish

Copper-free Aluminum
(less than 4/10 of 1%)

- Natural finish

FB SERVICE ENTRANCE					
CATALOG NUMBER	HUB SIZE	KNOCKOUTS		DIMENSIONS	
		QUANTITY	DIAMETER	WIDTH	HEIGHT
FB-714	1/2"	4	3/8"	3.00" (76)	2.60" (66)
FB-724	3/4"	5	3/8"	2.39" (61)	2.32" (58)
FB-734	1"	5	1/2"	2.62" (67)	3.03" (80)
FB-745	1-1/4"	5	1/2"	2.62" (67)	3.03" (80)
FB-765	2"	6	One 1/2"	4.43" (113)	4.45" (113)
			Two 3/4"		
			Three 1"		
FB-787	3"	7	Four 1"	6.40" (163)	8.00" (203)
			Three 1-1/4"		
FB-707	4" 7	7	Four 1-3/4"	8.00"	9.00" (229)
			Two 1-1/8"		

For rigid or thinwall conduit (EMT)

Applications

- For overhead service entrance
- For use with EMT or rigid conduit

Features

- For use with aluminum or steel conduit
- Mounting clamp provides easy installation
- Insulators included
- Three point balance for proper alignment
- Variety of knockout arrangements
- Vertical mounting
- Sizes 3/4" thru 4" available

Material/Finish

Copper-free Aluminum
(less than 4/10 of 1%)

- Natural finish

STFB SERVICE ENTRANCE					
CATALOG NUMBER	HUB SIZE	KNOCKOUTS		DIMENSIONS	
		QUANTITY	DIAMETER	WIDTH	HEIGHT
STFB-2	3/4"	5	3/8"	2.39" (61)	2.32" (59)
STFB-3	1"	5	1/2"	2.62" (67)	3.03" (77)
STFB-4	1-1/4"	5	1/2"	2.62" (67)	3.03" (77)
STFB-5	1-1/2"	6	One 1/2"	3.43" (87)	3.75" (95)
			Two 5/8"		
			Three 3/4"		
STFB-6	2"	6	One 1/2"	4.43" (113)	4.45" (113)
			Two 3/4"		
			Three 1"		
STFB-7	2-1/2"	7	Four 1"	6.40" (163)	8.00" (203)
			Three 1-1/4"		
STFB-8	3"	7	Four 1"	6.40"	8.00" (203)
			Three 1-1/4"		
STFB-0	4"	7	Four 1-1/8"	8.00" (203)	9.00" (229)
			Three 1-3/4"		



CAST DEVICE BOXES • STANDARD AND HOSTILE LOCATIONS



FS-1 & 2

FS-3

FD-1, 2 & 3

FSC-1 & 2

FSC-3

UL Standard: 514A
 CSA Standard: C22.2 No. 18
 Fed Spec: W-C-586D
 NEMA: FB-1

LISTED File No. E 3397

Certified File No. LR11852

FEATURES-SPECIFICATIONS

Applications

- Accommodates wiring devices and provides opening to splice, tap, or pull conductors
- Provide access to conductors for maintenance and future system changes

Features

- Tapered threads (NPT with integral bushings)
- Internal grounding screw
- Mounting feet for FS & FSC are provided as standard
- Available single and two gang styles
- Suitable for use in wet locations when used with gasket covers
- Cast iron is suitable for concrete use
- For use with FS-style covers see pages F41-F43
- To order without mounting lugs, contact factory.

Material/Finish

Copper-free Aluminum

(less than 4/10 of 1%)

- Electrostatically applied powder coating

Duraloy Iron

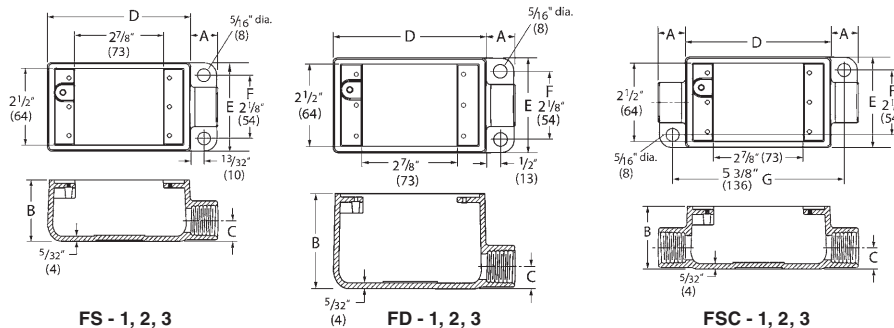
- Tri-coat finish of electrozinc, chromate sealant, and electrostatically applied powder coating

FS TYPE CAST DEVICE BOX – SHALLOW – DEAD END											
CATALOG NUMBER	KILLARK ALUM.	DURALOY IRON	HUB SIZE	DIMENSIONS						VOLUME CU. IN.	
				A	B	C	D	E	F		G
FS-1	FS-1M		1/2"	7/8" (22)	2" (51)	11/16" (17)	4-5/8" (117)	2-7/8" (73)	2-1/8" (54)	—	18.0
FS-2	FS-2M		3/4"	7/8" (22)	2" (51)	11/16" (17)	4-5/8" (117)	2-7/8" (73)	2-1/8" (54)	—	18.0
FS-3	FS-3M		1"	7/8" (22)	2" (51)	11/16" (17)	4-5/8" (117)	2-7/8" (73)	2-1/8" (54)	—	18.0

FD TYPE CAST DEVICE BOX – DEEP – DEAD END											
CATALOG NUMBER	KILLARK ALUM.	DURALOY IRON	HUB SIZE	DIMENSIONS						VOLUME CU. IN.	
				A	B	C	D	E	F		G
FD-1	FD-1M		1/2"	7/8" (22)	2-7/8" (73)	11/16" (17)	4-5/8" (117)	2-7/8" (73)	2-1/8" (54)	—	28.0
FD-2	FD-2M		3/4"	7/8" (22)	2-7/8" (73)	11/16" (17)	4-5/8" (117)	2-7/8" (73)	2-1/8" (54)	—	28.0
FD-3	FD-3M		1"	7/8" (22)	2-7/8" (73)	11/16" (17)	4-5/8" (117)	2-7/8" (73)	2-1/8" (54)	—	28.0

FSC TYPE CAST DEVICE BOX – SHALLOW – FEED THRU											
CATALOG NUMBER	KILLARK ALUM.	DURALOY IRON	HUB SIZE	DIMENSIONS						VOLUME CU. IN.	
				A	B	C	D	E	F		G
FSC-1	FSC-1M		1/2"	7/8" (22)	2" (51)	11/16" (17)	4-5/8" (117)	2-7/8" (73)	2-1/8" (54)	5-3/8" (136)	18.0
FSC-2	FSC-2M		3/4"	7/8" (22)	2" (51)	11/16" (17)	4-5/8" (117)	2-7/8" (73)	2-1/8" (54)	5-3/8" (136)	18.0
FSC-3	FSC-3M		1"	7/8" (22)	2" (51)	11/16" (17)	4-5/8" (117)	2-7/8" (73)	2-1/8" (54)	5-3/8" (136)	18.0

Dimensions



FITTINGS

FDC/FSOC/FSL SERIES



CAST DEVICE BOXES • STANDARD AND HOSTILE LOCATIONS



FDC 1, 2 & 3 with lugs



FSOC Type
(No Mounting Lugs)



FSL Type

UL Standard: 514A
CSA Standard: C22.2 No. 18
Fed Spec: W-C-586D
NEMA: FB-1

File No. E 3397

Certified File No. LR11852

FEATURES-SPECIFICATIONS

Applications

- Accommodates wiring devices and provides opening to splice, tap, or pull conductors
- Provide access to conductors for maintenance and future system changes

Features

- Tapered threads (NPT with integral bushings)
- Internal grounding screw
- Suitable for use in wet locations when used with gasket covers
- Cast iron is suitable for concrete use
- For use with FS-style covers see pages F41-F43
- To order without mounting lugs, contact factory.

Material/Finish

Copper-free Aluminum
(less than 4/10 of 1%)

- Electrostatically applied powder coating

Duraloy Iron

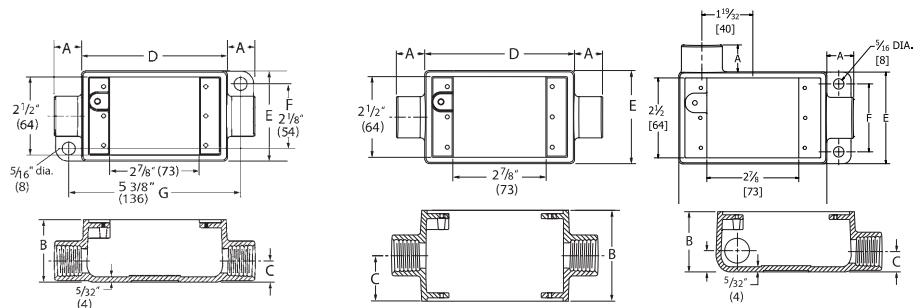
- Tri-coat finish of electrozinc, chromate sealant, and electrostatically applied powder coating

FDC TYPE CAST DEVICE BOX – DEEP – FEED THRU										
CATALOG NUMBER		HUB SIZE	DIMENSIONS							VOLUME CU. IN.
KILLARK ALUM.	DURALOY IRON		A	B	C	D	E	F	G	
FDC-1	FDC-1M	1/2"	7/8" (22)	2-7/8" (73)	11/16" (17)	4-5/8" (117)	2-7/8" (73)	2-1/8" (54)	5-3/8" (136)	28.5
FDC-2	FDC-2M	3/4"	7/8" (22)	2-7/8" (73)	11/16" (17)	4-5/8" (117)	2-7/8" (73)	2-1/8" (54)	5-3/8" (136)	28.5
FDC-3	FDC-3M	1"	7/8" (22)	2-7/8" (73)	11/16" (17)	4-5/8" (117)	2-7/8" (73)	2-1/8" (54)	5-3/8" (136)	28.5

FSOC TYPE CAST DEVICE OPEN BOX – SHALLOW – FEED THRU										
CATALOG NUMBER		HUB SIZE	DIMENSIONS							VOLUME CU. IN.
KILLARK ALUMINUM			A	B	C	D	E	F	G	
FSOC-1		1/2"	7/8" (22)	3" (76)	1-1/2" (38)	4-5/8" (117)	2-7/8" (73)	—	—	29.0

FSL TYPE CAST DEVICE BOX – SHALLOW										
CATALOG NUMBER		HUB SIZE	DIMENSIONS							VOLUME CU. IN.
KILLARK ALUM.	DURALOY IRON		A	B	C	D	E	F	G	
FSL-1	FSL-1M	1/2"	7/8" (22)	2" (51)	11/16" (17)	4-5/8" (117)	2-7/8" (73)	2-1/8" (54)	—	18.0
FSL-2	FSL-2M	3/4"	7/8" (22)	2" (51)	11/16" (17)	4-5/8" (117)	2-7/8" (73)	2-1/8" (54)	—	18.0

Dimensions



FDC - 1, 2 & 3

FSOC - 1

FSL - 1 & 2



CAST DEVICE BOXES • STANDARD AND HOSTILE LOCATIONS



FSR Type



FST Type

UL Standard: 514A
 CSA Standard: C22.2 No. 18
 Fed Spec: W-C-586D
 NEMA: FB-1

LISTED File No. E 3397

Certified File No. LR11852

FEATURES-SPECIFICATIONS

Applications

- Accommodates wiring devices and provides opening to splice, tap, or pull conductors
- Provide access to conductors for maintenance and future system changes

Features

- Tapered threads (NPT with integral bushings)
- Internal grounding screw
- Suitable for use in wet locations when used with gasket covers
- Cast iron is suitable for concrete use
- For use with FS-style covers see pages F41-F43
- To order without mounting lugs, contact factory

Material/Finish

Copper-free Aluminum
 (less than 4/10 of 1%)

- Electrostatically applied powder coating

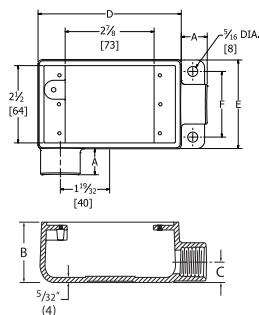
Duraloy Iron

- Tri-coat finish of electrozinc, chromate sealant, and electrostatically applied powder coating

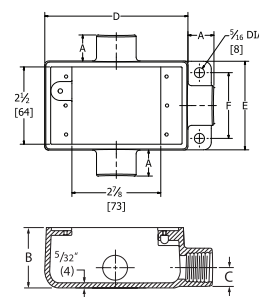
FSR TYPE CAST DEVICE BOX – SHALLOW										
CATALOG NUMBER		HUB SIZE	DIMENSIONS							VOLUME CU. IN.
KILLARK ALUM.	DURALOY IRON		A	B	C	D	E	F	G	
FSR-1	FSR-1M	1/2"	7/8" (22)	2" (51)	11/16" (17)	4-5/8" (117)	2-7/8" (73)	2-1/8" (54)	—	18.0
FSR-2	FSR-2M	3/4"	7/8" (22)	2" (51)	11/16" (17)	4-5/8" (117)	2-7/8" (73)	2-1/8" (54)	—	18.0

FST TYPE CAST DEVICE BOX – SHALLOW										
CATALOG NUMBER		HUB SIZE	DIMENSIONS							VOLUME CU. IN.
KILLARK ALUM.	DURALOY IRON		A	B	C	D	E	F	G	
FST-1	FST-1M	1/2"	7/8" (22)	2" (51)	11/16" (17)	4-5/8" (117)	2-7/8" (73)	2-1/8" (54)	—	18.0
FST-2	FST-2M	3/4"	7/8" (22)	2" (51)	11/16" (17)	4-5/8" (117)	2-7/8" (73)	2-1/8" (54)	—	18.0

Dimensions



FSR



FST

FITTINGS

FSX/FSA/FDA/FSLB SERIES



CAST DEVICE BOXES • STANDARD AND HOSTILE LOCATIONS



FSX Type



FSA/FDA Types



FSLB Type

UL Standard: 514A
 CSA Standard: C22.2 No. 18
 Fed Spec: W-C-586D
 NEMA: FB-1

File No. E 3397

Certified File No. LR11852

FEATURES-SPECIFICATIONS

Applications

- Accommodates wiring devices and provides opening to splice, tap, or pull conductors
- Provide access to conductors for maintenance and future system changes

Features

- Tapered threads (NPT with integral bushings)
- Internal grounding screw
- Optional mounting feet available on FS, FD, FSC, and FDC
- Available single and two gang styles
- Suitable for use in wet locations when used with gasket covers
- Cast iron is suitable for concrete use
- For use with FS-style covers see pages F41-F43
- To order without mounting lugs, contact factory.

Material/Finish

Copper-free Aluminum

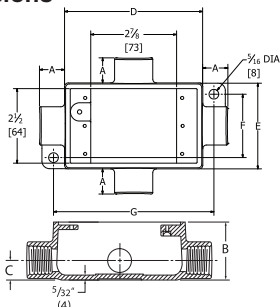
(less than 4/10 of 1%)

- Electrostatically applied powder coating

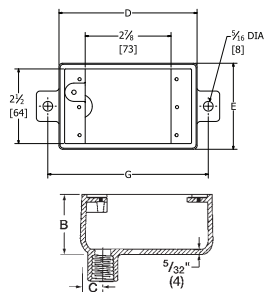
Duraloy Iron

- Tri-coat finish of electrozinc, chromate sealant, and electrostatically applied powder coating

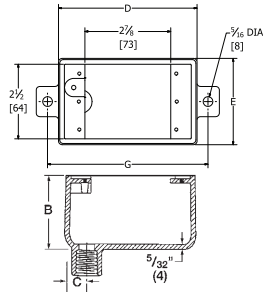
Dimensions



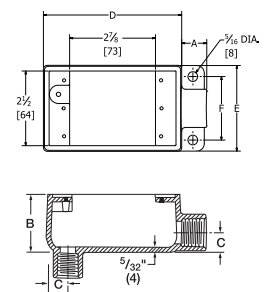
FSX



FSA



FDA



FSLB

FSX TYPE CAST DEVICE BOX – SHALLOW										
CATALOG NUMBER		HUB SIZE	DIMENSIONS							VOLUME CU. IN.
KILLARK ALUM.	DURALOY IRON		A	B	C	D	E	F	G	
FSX-1	FSX-1M	1/2"	7/8" (22)	2" (51)	11/16" (17)	4-5/8" (117)	2-7/8" (73)	2-1/8" (54)	5-3/8" (136)	18.0
FSX-2	FSX-2M	3/4"	7/8" (22)	2" (51)	11/16" (17)	4-5/8" (117)	2-7/8" (73)	2-1/8" (54)	5-3/8" (136)	18.0

FSA TYPE CAST DEVICE BOX – SHALLOW – DEAD END										
CATALOG NUMBER		HUB SIZE	DIMENSIONS							VOLUME CU. IN.
KILLARK ALUMINUM			A	B	C	D	E	F	G	
FSA-1		1/2"	7/8" (22)	2" (51)	11/16" (17)	4-5/8" (117)	2-7/8" (73)	—	5-3/8" (136)	18.0
FSA-2		3/4"	7/8" (22)	2" (51)	11/16" (17)	4-5/8" (117)	2-7/8" (73)	—	5-3/8" (136)	18.0

FDA TYPE CAST DEVICE BOX – DEEP – DEAD END										
CATALOG NUMBER		HUB SIZE	DIMENSIONS							VOLUME CU. IN.
KILLARK ALUMINUM			A	B	C	D	E	F	G	
FDA-2		3/4"	7/8" (22)	2-7/8" (73)	11/16" (17)	4-5/8" (117)	2-7/8" (73)	—	5-3/8" (136)	28.5

FSLB TYPE CAST DEVICE BOX – SHALLOW – FEED THRU										
CATALOG NUMBER		HUB SIZE	DIMENSIONS							VOLUME CU. IN.
KILLARK ALUMINUM			A	B	C	D	E	F	G	
FSLB-1		1/2"	7/8" (22)	2" (51)	11/16" (17)	4-5/8" (117)	2-7/8" (73)	2-1/8" (54)	—	18.0
FSLB-2		3/4"	7/8" (22)	2" (51)	11/16" (17)	4-5/8" (117)	2-7/8" (73)	2-1/8" (54)	—	18.0



CAST DEVICE BOXES • STANDARD AND HOSTILE LOCATIONS



FSS 1 & 2



FDS 2



FSCC 1 & 2



FDCC 2

UL Standard: 514A
 CSA Standard: C22.2 No. 18
 Fed Spec: W-C-586D
 NEMA: FB-1

LISTED File No. E 3397

Certified File No. LR11852

FEATURES-SPECIFICATIONS

Applications

- Accommodates wiring devices and provides opening to splice, tap, or pull conductors
- Provide access to conductors for maintenance and future system changes

Features

- Tapered threads (NPT with integral bushings)
- Internal grounding screw
- Suitable for use in wet locations when used with gasket covers
- Cast iron is suitable for concrete use
- For use with FS-style covers see pages F41-F43
- To order without mounting lugs, contact factory.

Material/Finish

Copper-free Aluminum
 (less than 4/10 of 1%)

- Electrostatically applied powder coating

Duraloy Iron

- Tri-coat finish of electrozinc, chromate sealant, and electrostatically applied powder coating

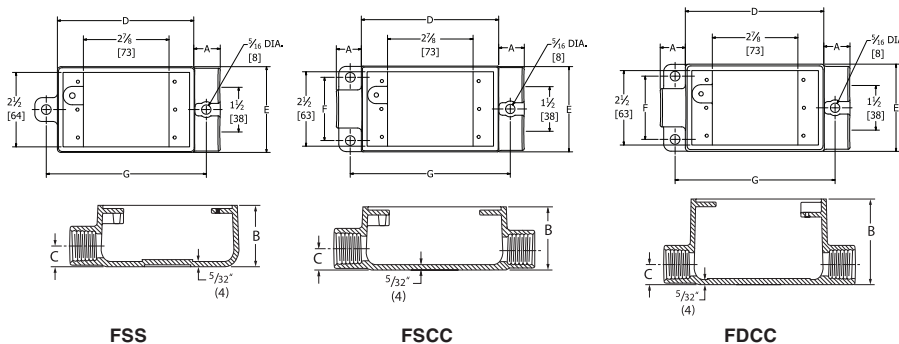
FSX TYPE CAST DEVICE BOX – SHALLOW										
CATALOG NUMBER		HUB SIZE	DIMENSIONS							VOLUME CU. IN.
KILLARK ALUM.	DURALOY IRON		A	B	C	D	E	F	G	
FSS-1	FSS-1M	1/2"	7/8" (22)	2" (51)	11/16" (17)	4-5/8" (117)	2-7/8" (73)	—	5-3/8" (136)	18.0
FSS-2	FSS-2M	3/4"	7/8" (22)	2" (51)	11/16" (17)	4-5/8" (117)	2-7/8" (73)	—	5-3/8" (136)	18.0

FDS TYPE CAST DEVICE BOX										
CATALOG NUMBER		HUB SIZE	DIMENSIONS							VOLUME CU. IN.
KILLARK ALUM.	DURALOY IRON		A	B	C	D	E	F	G	
FDS-2	FDS-2M	3/4"	7/8" (22)	2-7/8" (73)	11/16" (17)	4-5/8" (117)	2-7/8" (73)	—	5-3/8" (136)	28.5

FSCC TYPE CAST DEVICE BOX - SHALLOW										
CATALOG NUMBER		HUB SIZE	DIMENSIONS							VOLUME CU. IN.
KILLARK ALUM.	DURALOY IRON		A	B	C	D	E	F	G	
FSCC-1	FSCC-1M	1/2"	7/8" (22)	2" (51)	11/16" (17)	4-5/8" (117)	2-7/8" (73)	2-1/8" (54)	5-3/8" (136)	18.0
FSCC-2	FSCC-2M	3/4"	7/8" (22)	2" (51)	11/16" (17)	4-5/8" (117)	2-7/8" (73)	2-1/8" (54)	5-3/8" (136)	18.0

FDCC TYPE CAST DEVICE BOX – DEEP										
CATALOG NUMBER		HUB SIZE	DIMENSIONS							VOLUME CU. IN.
KILLARK ALUM.	DURALOY IRON		A	B	C	D	E	F	G	
FDCC-2	FDCC-2M	3/4"	7/8" (22)	2-7/8" (73)	11/16" (17)	4-5/8" (117)	2-7/8" (73)	2-1/8" (54)	5-3/8" (136)	28.5

Dimensions



FITTINGS

FSCA/FSCT SERIES



CAST DEVICE BOXES • STANDARD AND HOSTILE LOCATIONS



FSCA Type



FSCT Type

UL Standard: 514A
 CSA Standard: C22.2 No. 18
 Fed Spec: W-C-586D
 NEMA: FB-1

File No. E 3397

Certified File No. LR11852

FEATURES-SPECIFICATIONS

Applications

- Accommodates wiring devices and provides opening to splice, tap, or pull conductors
- Provide access to conductors for maintenance and future system changes

Features

- Tapered threads (NPT with integral bushings)
- Internal grounding screw
- Suitable for use in wet locations when used with gasket covers
- Cast iron is suitable for concrete use
- For use with FS-style covers see pages F41-F43
- To order without mounting lugs, contact factory.

Material/Finish

Copper-free Aluminum
 (less than 4/10 of 1%)

- Electrostatically applied powder coating

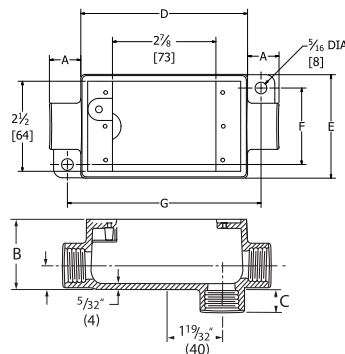
Duraloy Iron

- Tri-coat finish of electrozinc, chromate sealant, and electrostatically applied powder coating

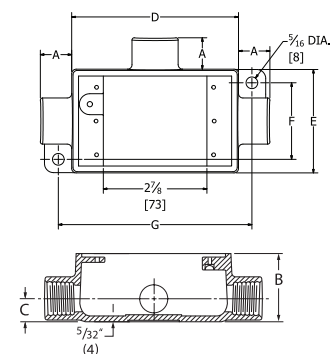
FSCA TYPE CAST DEVICE BOX – SHALLOW										
CATALOG NUMBER		HUB SIZE	DIMENSIONS							VOLUME CU. IN.
KILLARK ALUM.	DURALOY IRON		A	B	C	D	E	F	G	
FSCA-1	FSCA-1M	1/2"	7/8" (22)	2" (51)	11/16" (17)	4-5/8" (117)	2-7/8" (73)	2-1/8" (54)	5-3/8" (136)	18.0
FSCA-2	FSCA-2M	3/4"	7/8" (22)	2" (51)	11/16" (17)	4-5/8" (117)	2-7/8" (73)	2-1/8" (54)	5-3/8" (136)	18.0

FSCT TYPE CAST DEVICE BOX – SHALLOW										
CATALOG NUMBER		HUB SIZE	DIMENSIONS							VOLUME CU. IN.
KILLARK ALUM.	DURALOY IRON		A	B	C	D	E	F	G	
FSCT-1	FSCT-1M	1/2"	7/8" (22)	2" (51)	11/16" (17)	4-5/8" (117)	2-7/8" (73)	2-1/8" (54)	5-3/8" (136)	18.0
FSCT-2	FSCT-2M	3/4"	7/8" (22)	2" (51)	11/16" (17)	4-5/8" (117)	2-7/8" (73)	2-1/8" (54)	5-3/8" (136)	18.0

Dimensions



FSCA



FSCT



CAST DEVICE BOXES • STANDARD AND HOSTILE LOCATIONS



UL Standard: 514A
 CSA Standard: C22.2 No. 18
 Fed Spec: W-C-586D
 NEMA: FB-1

LISTED File No. E 3397

Certified File No. LR11852

FEATURES-SPECIFICATIONS

Applications

- Accommodates wiring devices and provides opening to splice, tap, or pull conductors
- Provide access to conductors for maintenance and future system changes

Features

- Tapered threads (NPT with integral bushings)
- Internal grounding screw
- Mounting lugs offered as standard
- Suitable for use in wet locations when used with gasket covers
- Cast iron is suitable for concrete use
- For use with FS-style covers see pages F41-F43
- To order without mounting lugs, contact factory.

Material/Finish

Copper-free Aluminum
 (less than 4/10 of 1%)

- Electrostatically applied powder coating

Duraloy Iron

- Tri-coat finish of electrozinc, chromate sealant, and electrostatically applied powder coating

2FS TYPE CAST DEVICE BOX TWO GANG – SHALLOW WITH MOUNTING LUGS

CATALOG NUMBER	KILLARK ALUM.	DURALOY IRON	HUB SIZE	DIMENSIONS						VOLUME CU. IN.
				A	B	C	D	E	F	
2FS-1	2FS-1M	1/2"	7/8" (22)	2" (51)	11/16" (17)	4-5/8" (117)	4-11/16" (119)	2-1/8" (54)	5-3/8" (136)	32.0
2FS-2	2FS-2M	3/4"	7/8" (22)	2" (51)	11/16" (17)	4-5/8" (117)	4-11/16" (119)	2-1/8" (54)	5-3/8" (136)	32.0
2FS-3	2FS-3M	1"	7/8" (22)	2" (51)	11/16" (17)	4-5/8" (117)	4-11/16" (119)	2-1/8" (54)	5-3/8" (136)	32.0

2FD TYPE CAST DEVICE BOX TWO GANG – DEEP WITH MOUNTING LUGS

2FD-1	2FD-1M	1/2"	7/8" (22)	2-15/16" (75)	11/16" (17)	4-5/8" (117)	4-11/16" (119)	2-1/8" (54)	5-3/8" (136)	47.0
2FD-2	2FD-2M	3/4"	7/8" (22)	2-15/16" (75)	11/16" (17)	4-5/8" (117)	4-11/16" (119)	2-1/8" (54)	5-3/8" (136)	47.0

2FSC TYPE CAST DEVICE BOX TWO GANG – SHALLOW WITH MOUNTING LUGS

2FSC-1	2FSC-1M	1/2"	7/8" (22)	2" (51)	11/16" (17)	4-5/8" (117)	4-11/16" (119)	2-1/8" (54)	5-3/8" (136)	32.0
2FSC-2	2FSC-2M	3/4"	7/8" (22)	2" (51)	11/16" (17)	4-5/8" (117)	4-11/16" (119)	2-1/8" (54)	5-3/8" (136)	32.0

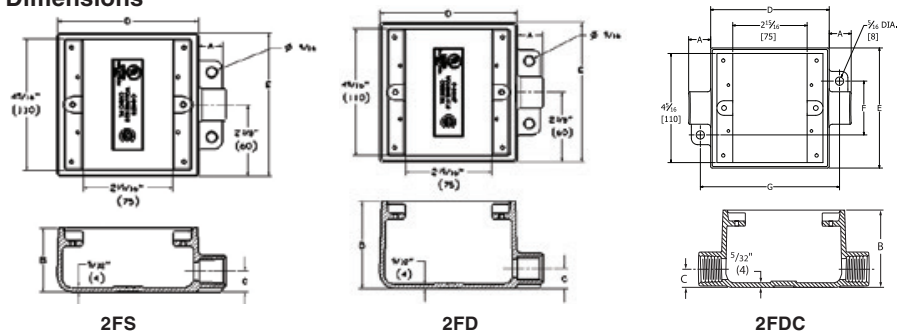
2FDC TYPE CAST DEVICE BOX TWO GANG – DEEP WITH MOUNTING LUGS

2FDC-1	2FDC-1M	1/2"	7/8" (22)	2-15/16" (75)	11/16" (17)	4-5/8" (117)	4-11/16" (119)	2-1/8" (54)	5-3/8" (136)	50.0
2FDC-2	2FDC-2M	3/4"	7/8" (22)	2-15/16" (75)	11/16" (17)	4-5/8" (117)	4-11/16" (119)	2-1/8" (54)	5-3/8" (136)	50.0

2FSD TYPE CAST DEVICE BOX TWO GANG – SHALLOW WITH MOUNTING LUGS

2FSD-1	2FSD-1M	1/2"	7/8" (22)	2" (51)	11/16" (17)	4-5/8" (117)	4-11/16" (119)	2-1/8" (54)	-	32.0
2FSD-2	2FSD-2M	3/4"	7/8" (22)	2" (51)	11/16" (17)	4-5/8" (117)	4-11/16" (119)	2-1/8" (54)	-	32.0

Dimensions



FITTINGS

2 & 3 FS/FD SERIES



CAST DEVICE BOXES • STANDARD AND HOSTILE LOCATIONS

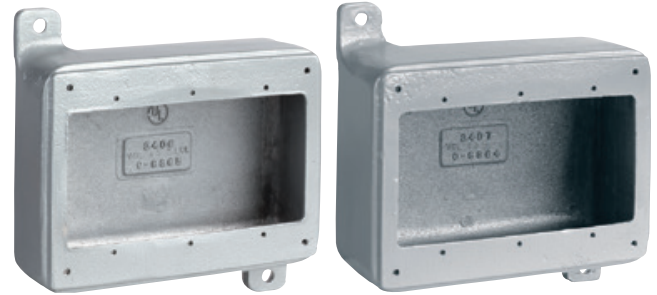
Two Gang



2FS

2FD

Three Gang



3FS

3FD

FEATURES-SPECIFICATIONS

Applications

- Accommodates wiring devices and provides opening to splice, tap, or pull conductors
- Provide access to conductors for maintenance and future system changes

Features

- Internal grounding screw
- Suitable for use in wet locations when used with gasket covers
- For use with FS-style covers see pages F41-F43

Conduit Opening Data

- To specify conduit openings select the letter on these sketches which indicates the position desired. Follow this letter with the symbol indicating the type and size.
 - » Example: 2FS-A2-E2

Material/Finish

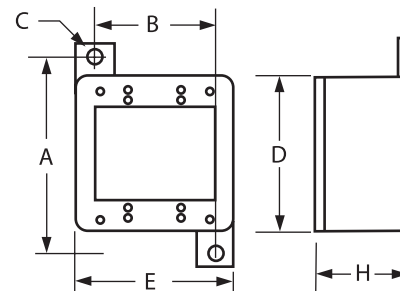
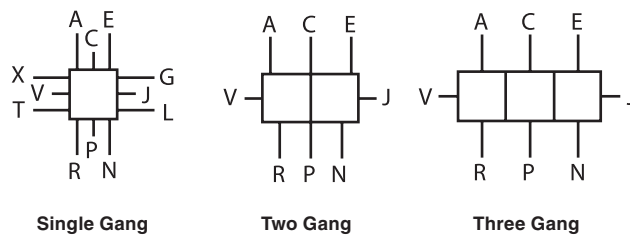
Copper-free Aluminum
(less than 4/10 of 1%)

- Electrostatically applied powder coating

FS/FD MULTI GANG BOXES ^①						
SERIES	A	B	C	D	E	H
FSQ	3-3/4" (95)	3-9/16" (90)	1/4" (6)	4-9/16" (116)	2-13/16" (71)	2" (51)
2FS	6-3/16" (157)	3-3/4" (95)	9/32" (7)	4-7/8" (124)	4-15/16" (125)	2" (51)
3FS	6-3/16" (157)	5-3/4" (146)	9/32" (7)	4-7/8" (124)	6-3/4" (125)	2" (51)
FDQ	3-3/4" (95)	3-9/16" (90)	1/4" (6)	4-9/16" (116)	2-13/16" (71)	2-7/8" (73)
2FD	6-3/16" (157)	3-3/4" (95)	9/32" (7)	4-7/8" (124)	4-15/16" (125)	2-7/8" (73)
3FD	6-3/16" (157)	5-3/4" (146)	9/32" (7)	4-7/8" (124)	6-3/4" (125)	2-7/8" (73)

FS/FD/FSQ/FDQ CONDUIT OPENING AND SYMBOL IDENTIFICATION		
FOR CONDUIT SIZE	THREADED SYMBOL NUMBER	UNION ^① SYMBOL NUMBER
1/2"	1	11
3/4"	2	12
1"	3	13
1-1/4"	4	14
1-1/2"	5	15

^① Union hubs are supplied by using a drilled and tapped opening with GUM Series union on 1/2", 3/4", 1", 1-1/4" and 1-1/2" sizes.





CUSTOM DRILLED & TAPPED DEVICE BOXES • STANDARD AND HOSTILE LOCATIONS

Single Gang

Two Gang

Three Gang

Four Gang



FDQ



2FDQ



3FDQ



4FDQ

LISTED - File E3397

Certified - File LR11852
See files for details or call Killark.

FEATURES-SPECIFICATIONS

Applications

- Accommodates wiring devices and provides opening to splice, tap, or pull conductors
- Provide access to conductors for maintenance and future system changes

Features

- The fittings on this page takes single gang covers listed on pages F41-F43
- FSQ and FDQ series boxes are made with individual cover openings so any combination of devices may be assembled
- Any assembly is suitable for wet and damp locations when it consists of these boxes and a cover suitable for wet and damp locations

- To specify conduit opening combination select the letter on the sketch which indicates the position of the opening desired. Follow this letter with the symbol indicating the type of opening-threaded, threadless or union

Maximum Conduit Opening Size

- » FS-1/2" thru 1"
- » FD-1/2" thru 1-1/2"

Material/Finish

Copper-free Aluminum
(less than 4/10 of 1%)

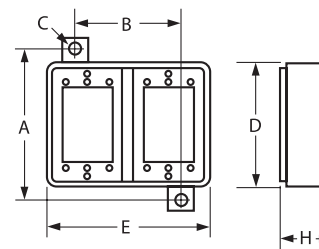
- Electrostatically applied powder coating

FSQ/FDQ MULTI GANG BOXES ^①						
SERIES	A	B	C	D	E	H
FSQ	FSQ 3-3/4" (95)	3-9/16" (90)	1/4" (6)	4-9/16" (116)	2-13/16" (71)	2" (51)
3FSQ	6-1/8" (156)	7-1/2" (191)	5/16" (8)	4-15/16" (125)	9-13/16" (249)	2" (51)
FDQ	3-3/4" (95)	3-9/16" (90)	1/4" (6)	4-9/16" (116)	2-13/16" (71)	2-7/8" (73)
2FDQ	6-3/16" (157)	4-7/16" (113)	5/16" (8)	4-7/8" (124)	6-7/16" (164)	2-7/8" (73)
3FDQ	5-7/8" (149)	7-9/16" (192)	5/16" (8)	4-15/16" (125)	9-13/16" (249)	2-7/8" (73)
4FDQ	5-7/8" (149)	10-13/16" (275)	5/16" (8)	4-15/16" (125)	13-1/8" (333)	2-7/8" (73)

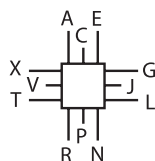
Conduit Opening Data

- To specify conduit openings select the letter on these sketches which indicates the position desired. Follow this letter with the symbol indicating the type and size.
 - » Example: 2FS-A2-E2-J13
- All conduit openings will be evenly spaced. When they are to be more accurately located, submit a sketch with spacing dimensions.
- Dimensions should be oriented from centerlines of body and outside backof body.
- FS and FSQ box will take drilled and tapped openings thru 1".
- FD and FDQ box will take drilled and tapped openings thru 1-1/2".

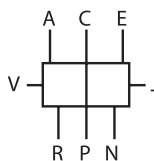
FSQ/FDQ/FSQ/FDQ CONDUIT OPENING AND SYMBOL IDENTIFICATION		
FOR CONDUIT SIZE	THREADED SYMBOL NUMBER	UNION ^① SYMBOL NUMBER
1/2"	1	11
3/4"	2	12
1"	3	13
1-1/4"	4	14
1-1/2"	5	15



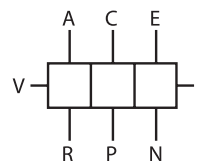
^① Union hubs are supplied by using a drilled and tapped opening with GUM Series union on 1/2", 3/4", 1", 1-1/4" and 1-1/2" sizes.



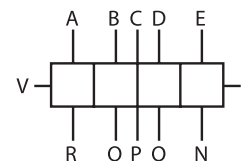
Single Gang



Two Gang



Three Gang

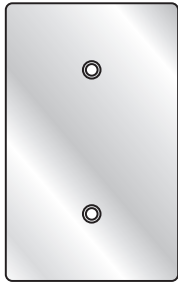


Four Gang

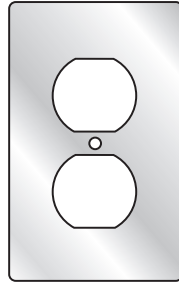


FITTINGS

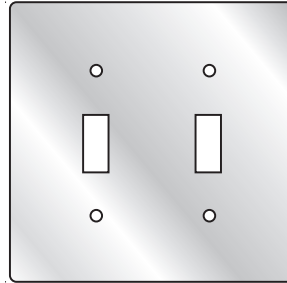
DEVICE BOX COVERS • STANDARD AND HOSTILE LOCATIONS



1FB Type



1FA Type



2FT Type

UL LISTED File No. E 3397

SR Certified File No. LR11852

FEATURES-SPECIFICATIONS

- Stamped metallic covers with or without electrostatically applied powder coating
- Gaskets to be ordered separately

SINGLE GANG		
CATALOG NUMBER		
WITH COATING	WITHOUT COATING	
Blank for Single Gang Boxes		
1FBC	1FB	
1 Toggle Switch		
1FTC	1FT	
1 Duplex Receptacle		
1FAC	1FA	
1-13/32" Opening Round Receptacle		
1FRC	1FR	
1-5/8" Opening Round Receptacle		
1FGC	1FG	

TWO GANG		
CATALOG NUMBER		
WITH COATING	WITHOUT COATING	
Blank for Two Gang Boxes		
2FBC	2FB	
2 Toggle Switches		
2FTC	2FT	
2 Duplex Receptacles		
2FAC	2FA	
Toggle Switch & Duplex Receptacle		
2FTAC	2FTA	
1-13/32" Openings 2 Round Receptacles		
2FRC	2FR	
1-5/8" Opening Round 2 Round Receptacles		
2FGC	2FG	

THREE GANG		
CATALOG NUMBER	DESCRIPTION	
3FB	Blank for 3 Gang Boxes	
3FT	3 Toggle Switches	
3FA	3 Duplex Receptacles	

REPLACEMENT GASKETS FOR COVERS (NEOPRENE RUBBER)		
CATALOG NUMBER	DESCRIPTION	
FSRG	Neoprene Gaskets for Single Gang Boxes	
2FSRG	Neoprene Gaskets for 2 Gang Boxes	
3FA	Neoprene Gaskets for 3 Gang Boxes	



DEVICE BOX COVERS • STANDARD AND HOSTILE LOCATIONS



FZ8647



FCL-GF Type



FST Type

UL LISTED File No. E 3397

SP Certified File No. LR11852

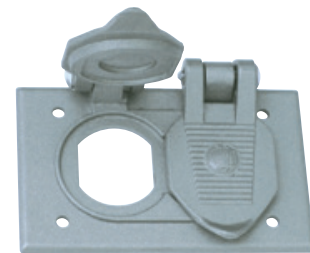
FEATURES-SPECIFICATIONS

- Cast metallic covers with electrostatically applied powder coating

CAST DEVICE COVERS – SINGLE GANG (GASKETS INCLUDED)		
CATALOG NUMBER	DESCRIPTION	
FSBC	Blank for Single Gang Boxes	
FSBCM	Iron Blank for Single Gang Boxes	
FZ8648	Square Toggle Lock in ON or OFF Position	
FZ8647	Square Toggle (Long Throw – Such as Manual Starters)	
FST	1 Toggle Switch	
FSPT	For Toggle Switch	
FSTG	Toggle Switch Guarded	

CAST DEVICE COVERS – SINGLE GANG (GASKETS INCLUDED)		
CATALOG NUMBER	DESCRIPTION	
FCLA	Duplex Receptacle	
FCLT	Toggle Switch	
FCLR	Round Receptacle 1.406" Dia.	
FCLG	Round Receptacle 1.625" Dia.	
FCLM	Round Receptacle 1.750" Dia.	
FCLN	Round Receptacle 2.156" Dia.	
FCL-GF	Device Cover for Most Manufacturers' GFI Devices Includes Gaskets and Screws	
FCL-VG	Replacement Vellumoid Gasket	

CAST DEVICE COVERS – TWO AND THREE GANG (GASKETS INCLUDED)		
CATALOG NUMBER	DESCRIPTION	
2FSBC	Blank for 2 Gang Boxes	
2FSBCM	Iron Blank for 2 Gang Boxes	
2FST	2 Toggle Switches	
3FST	3 Toggle Switches	
3FSBC	Blank for 3 Gang Boxes	



FCLA2

Duplex Wall Plate for horizontal mounting on FS/FD Boxes. Cast aluminum, gasketed and self-closing. Listed for wet locations with cover open in continuous use.

FITTINGS

FCL/FZ SERIES



DEVICE BOX ACCESSORIES • STANDARD AND HOSTILE LOCATIONS



FCL-GF



FZ-8647



While-In-Use Cover

FEATURES-SPECIFICATIONS

FCL DEVICE COVERS (FOR GFI RECEPTACLES)

Applications

- Use in dirty, dusty or corrosive areas
- Indoor/outdoor applications
- Where devices need physical protection

Features

- May be used with several different manufacturers' GFI devices
- Mounts on all FS, FD, FSQ and FDQ Series boxes (single opening)
- Snap type lid. UL/CSA suitable for wet locations.
- Gaskets included

CATALOG NUMBER	ITEM
FCL-GF	Device cover includes gaskets and screws
FCL-VG	Replacement Vellumoid gasket

File No. E 3397

File No. LR11852

FZ

Applications

- Suitable for NEMA 3 locations
- Areas where dust or dirt are a problem
- With standard toggle switches or manual motor starters

Features

- Copper-free aluminum
- Gaskets included
- Three toggle operator choices
- Lock "ON" or "OFF" provision standard
- Stainless steel screws
- Mounts on all FS, FD, FSQ and FDQ Series boxes (single opening)

CATALOG NUMBER	TYPE OF TOGGLE SWITCH HANDLE
FZ8648	Square toggle
FZ8647	Square toggle (Long throw-such as manual starters)
FZ	Round toggle

File No. E 3397

File No. LR11852

WHILE-IN-USE COVERS

Applications

- For use indoors or in outdoor wet and damp locations
- Cover can be closed while plug is inserted – still meeting wet location requirements

Features

- Rugged metallic construction
- UL Listed for 'Extra Duty' service
- Complies with NEC 2011 Article 406.9(B)
- Meets NEMA 3R
- Built-in strain relief for cords
- Pad-lockable design

CATALOG NUMBER	SINGLE GANG
5881-0	Vertical GFCI
5852-0	Vertical Duplex
5830-0	Vertical Round Devices, 1.55 in. or 2.10 in. dia.
5802-0	Horizontal GFCI
5861-0	Horizontal Duplex

Outlet Box
731A



VJ SERIES



OUTLET BOXES • STANDARD AND HOSTILE LOCATIONS



VLJSX Shallow



VLJX Medium



VLJDX Deep



VJBC Blank Cover



VJH-1 or VJH-2 Hub Cover



VBNB Gasket

UL LISTED - File E30107 and E3397

SF Certified - File LR11852
See files for details or call Killark.

FEATURES-SPECIFICATIONS

Applications

- VJ Series round boxes are available in three depths for use as splice boxes, for hanging pendant fixtures by using hub covers; or by using a VBA plate will take VFC fixture caps
- Cover mounting centers are 3-1/2" and will accommodate 4" round or octagonal box covers and devices. Screw holes are 8-32 size
- VJ Series are furnished with four "X" conduit openings and three close-up plugs
- Gaskets are required for wet and damp locations

Features

- Complies with NEMA 3, 4 and IPx6 (when gasketed)
- Supports up to 125 pounds
- Ground screw provided as standard

Material/Finish

Aluminum

- BODY** Copper-free aluminum (less than 4/10 of 1%)
- FINISH** Electrostatically applied powder coating
- COVER** (Aluminum) Copper-free aluminum (less than 4/10 of 1%). Electrostatically applied powder coating

Iron

- BODY** Duraloy iron alloy
- FINISH** Tri-Coat Finish of Electro zinc, Chromate Sealant, and electrostatically applied powder coating
- COVER** (Aluminum) Copper-free aluminum (less than 4/10 of 1%). Electrostatically applied powder coating

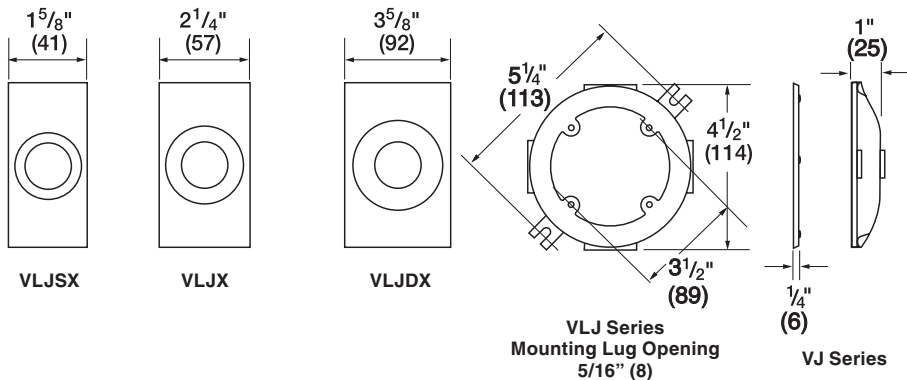
BOXES WITH LUGS						
CATALOG NUMBER					CONDUIT SIZE	HUB ARRANGEMENT
SHALLOW 1-5/8" (41)		MEDIUM 2-1/4" (57)		DEEP 3-5/8" (92)		
KILLARK ALUM.	DURALOY IRON	KILLARK ALUM.	DURALOY IRON	KILLARK ALUM.		
VLJSX-1	VLJSX-1M	VLJX-1	VLJX-1M	-	1/2"	X
VLJSX-2	VLJSX-2M	VLJX-2	VLJX-2M	VLJDX-2	3/4"	X
-	-	VLJX-3	VLJX-3M	VLJDX-3	1"	X

Note: Cover and gasket not included.

BACK CONDUIT OPENINGS		
SERIES	MAXIMUM CONDUIT SIZE	VOLUME CUBIC INCHES
Shallow	3/4"	17
Medium	1"	25
Deep	1-1/4"	45

Note: Must be drilled and tapped.

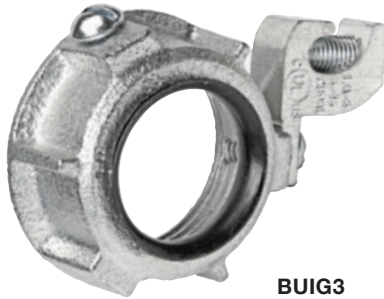
COVERS AND GASKETS			
CATALOG NUMBER	HUB SIZE	DEPTH	DESCRIPTION
VJBC	-	1/4"	Blank cover furnished with mounting screws. Gasket not included
VJH-1	1/2"	1"	Hub cover furnished with mounting screws. Gasket not included
VJH-2	3/4"	1"	Hub cover furnished with mounting screws. Gasket not included
VBNB	-	-	Gasket Nitrile Butadiene





FITTINGS

MALLEABLE IRON-INSULATED GROUNDING BUSHINGS



BUIG3

UL Standard 514 B

SB C22.2 #18

FEATURES-SPECIFICATIONS

Applications

For use on threaded rigid/IMC conduit to provide a means of grounding conduit through an insulated bushing

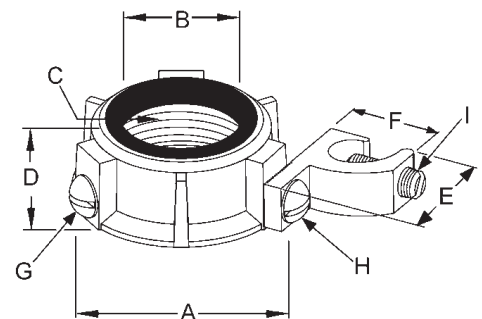
Product Features

- Lay-in lug style provides an easy means of inserting a ground wire
- Dual rated aluminum grounding lugs may be used with copper or aluminum grounding conductors
- Insuliner temperature rated at 150°C
- Malleable construction insures mechanical protection for the raceway
- Zinc electro plated for corrosion protection

INSULATED GROUNDING BUSHINGS – LAY-IN LUG – MALLEABLE IRON				
CATALOG NUMBER	TRADE SIZE	SHIP CTN QTY	GROUNDING WIRE CAPACITY	
			MIN.	MIN.
BUIG1	1/2"	50	#14 Sol.	#4 Str.
BUIG2	3/4"	50	#14 Sol.	#4 Str.
BUIG3	1"	50	#14 Sol.	#4 Str.
BUIG4	1-1/4"	25	#14 Sol.	#4 Str.
BUIG5	1-1/2"	10	#14 Sol.	#2 Str.
BUIG6	2"	10	#14 Sol.	#2 Str.
BUIG7	2-1/2"	10	#6 Str.	250 MCM
BUIG8	3"	5	#6 Str.	250 MCM
BUIG9	3-1/2"	5	#6 Str.	250 MCM
BUIG10	4"	5	#6 Str.	250 MCM
BUIG11	5"	5	#6 Str.	250 MCM
BUIG12	6"	5	#6 Str.	250 MCM

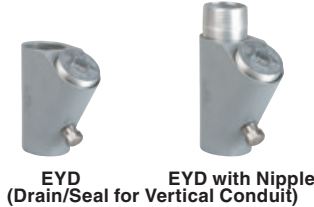
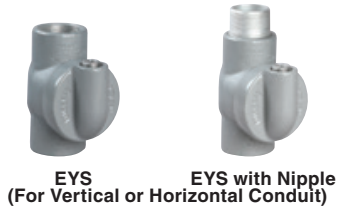
DIMENSIONS									
CATALOG NUMBER	A	B	C	D	E	F	G SET SCREW	H PAN HEAD SCREW	I SET SCREW
BUIG1	1-5/32"	7/16"	1/2"-14 NPS	3/4"	1-1/16"	3/4"	10-32 X 1/4"	10-32 X 1/4"	14-28 X 5/8"
BUIG2	1-13/32"	11/16"	3/4"-14 NPS	3/4"	1-1/16"	3/4"	10-32 X 1/4"	10-32 X 1/4"	14-28 X 5/8"
BUIG3	1-3/4"	15/16"	1"-11-1/2 NPS	3/4"	1-1/16"	3/4"	10-32 X 1/4"	10-32 X 1/4"	14-28 X 5/8"
BUIG4	2-1/8"	1-3/16"	1-1/4"-11-1/2 NPS	3/4"	1-1/16"	3/4"	10-32 X 1/4"	10-32 X 1/4"	14-28 X 5/8"
BUIG5	2-11/32"	1-7/16"	1-1/2"-11-1/2 NPS	3/4"	1-3/8"	15/16"	5/16-24 X 17/32"	5/16-24 X 17/32"	5/16-28 X 5/8"
BUIG6	2-23/32"	1-15/16"	2"-11-1/2 NPS	3/4"	1-3/8"	15/16"	5/16-24 X 17/32"	5/16-24 X 17/32"	5/16-28 X 5/8"
BUIG7	3-9/32"	2-3/16"	2-1/2"-8 NPS	1-3/8"	2-1/4"	1-3/4"	5/16-24 X 7/16"	5/16-24 X 17/32"	9/16-18 X 1-1/4"
BUIG8	3-7/8"	2-15/16"	3"-8 NPS	1-3/8"	2-1/4"	1-3/4"	5/16-24 X 7/16"	5/16-24 X 17/32"	9/16-18 X 1-1/4"
BUIG9	4-13/32"	3-7/16"	3-1/2"-8 NPS	1-3/8"	2-1/4"	1-3/4"	5/16-24 X 7/16"	5/16-24 X 17/32"	9/16-18 X 1-1/4"
BUIG10	4-29/32"	3-7/8"	4"-8 NPS	1-3/8"	2-1/4"	1-3/4"	5/16-24 X 7/16"	5/16-24 X 17/32"	9/16-18 X 1-1/4"
BUIG11	6-1/8"	4-7/8"	5"-8 NPS	1-3/8"	2-1/4"	1-3/4"	5/16-24 X 7/16"	5/16-24 X 17/32"	9/16-18 X 1-1/4"
BUIG12	7-3/16"	5-7/8"	6"-8 NPS	1-3/8"	2-1/4"	1-3/4"	5/16-24 X 7/16"	5/16-24 X 17/32"	9/16-18 X 1-1/4"

- A = O.D.
- B = I.D
- C = Thread size
- D = Thickness
- E = Height of lug
- F = Width of lug
- G = Screw spec, bonding screw
- H = Screw spec, screw that holds lug to bushing
- I = Screw spec, screw that holds ground wire





SEALING FITTINGS



Class I, Div. 1 & 2, Groups A, B, C, D
Class I, Zone 1, Groups IIC, IIB, IIA
Class II, Div. 1 & 2, Groups E, F, G
Class III

FEATURES-SPECIFICATIONS

Application & Installation Class I, Divisions 1 and 2

The purpose of seals in a Class I hazardous location is to minimize the passage of gases and vapors and prevent the passage of flames from one electrical installation to another through the conduit system. Seals are required to be installed within 18 inches on any conduit run entering an enclosure which contains devices that may produce arcs, sparks, or high temperature. Where two enclosures are connected by a run of conduit not over 3 ft. long, a single seal located at the center of the run is considered satisfactory. Only explosionproof unions, couplings, elbows, and conduit bodies similar to "L", "T", and "X" type shall be permitted between the sealing fitting and the enclosure.

Seals shall be located within 18 inches of the enclosure or fitting on each conduit run of 2 inch size or larger entering an enclosure or fitting that contains terminals, splices, or taps.

Each run of conduit from a hazardous location to a nonhazardous location should be sealed to minimize the amount of gases and vapors communicated beyond the seal.

Class II, Divisions 1 and 2

Where a raceway provides communication between an enclosure which is required to be dust-ignitionproof and one which is not, suitable means shall be provided to prevent the entrance of dust into the dust-ignitionproof enclosure through the raceway.

Consideration for selection seals:

Select the proper sealing fitting for the hazardous gas/vapor involved; i.e., Class I Groups A, B, C, or D. Zone 1, Groups IIC, IIB, IIC.

Select a sealing fitting for the proper use in respect to mounting position. This is particularly critical when the conduit runs between hazardous and nonhazardous areas. Some seals are designed to be mounted in any position; others are restricted to vertical mounting.

Drains

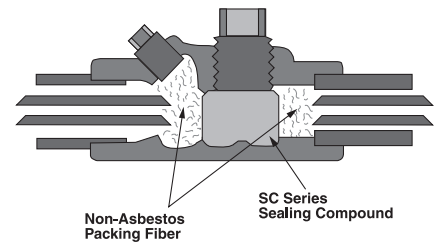
Where there is a probability that liquid or other condensed vapor may be trapped within enclosures for control equipment or at any point in the raceway system, approved means – such as installation of drain seals – shall be provided to prevent moisture accumulation.

For more complete data or special applications, consult the code or your local inspector.

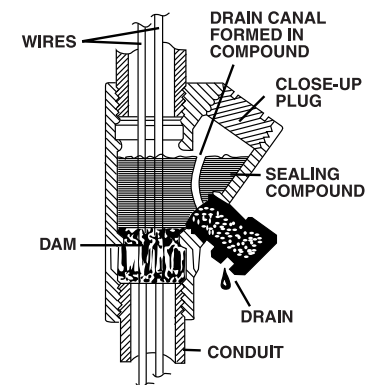
Sealing compounds shall be approved for the purpose and shall not be affected by the surrounding atmosphere or liquids, and shall not have a melting point of less than 93°C. (200°F.).

In the complete seal, the minimum thickness of the sealing compound shall not be less than the trade size of the conduit, and in no case less than 5/8 inch.

NOTE: The amount of Killark sealing compound and packing fiber required for any seal is determined by volume hub size and mounting position of the seal. Refer to installation data table on page F50 for specific amounts required.



Schematic drawings illustrate the application of sealing compound, fiber dams, and installed seal with drain.



Splices and taps shall not be made in fittings intended only for sealing with compound, nor shall other fittings in which splices or taps are made be filled with compound.

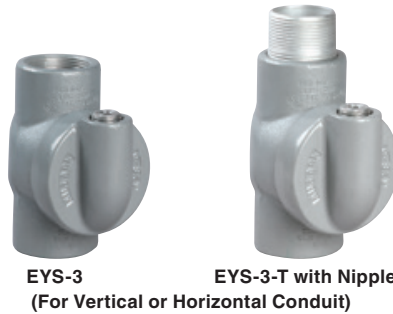
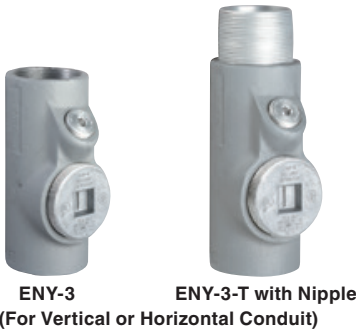
Killark sealing fittings are produced with utmost care to insure a substantial margin of safety. Threads are clean, deep, and snug. When properly installed with Killark sealing compound (SC Type) and Killark non-asbestos fiber (PF Type) for the dams, you can be sure your installation will provide more than adequate safety.

FITTINGS

ENY/EYS SERIES



SEALING FITTINGS



ENY-1, 2, 3, 4, 5, 6
Class I, Div. 1 & 2, Groups A, B, C, D
Class I, Zone 1, Groups IIC, IIB, IIA
Class II, Div. 1 & 2, Groups E, F, G
Class III

EYS Series
Class I, Div. 1 & 2, Groups C, D
Class I, Zone 1, Groups IIB, IIA
Class II, Div. 1 & 2, Groups E, F, G
Class III

UL LISTED File No. E10514
SP Certified File No. LR11716
See files for details or call Killark.

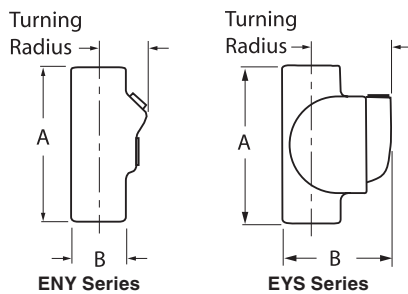
FEATURES-SPECIFICATIONS

Material/Finish
Copper-free Aluminum
(less than 4/10 of 1%)

- Electrostatically applied powder coating
- Duraloy Iron**
- Tri-Coat Finish of electrozinc, chromate sealant, and electrostatically applied powder coating

ENY SEALING FITTINGS						ENY WITH NIPPLE	
HUB SIZE	CATALOG NUMBER		DIMENSIONS		TURNING RADIUS	CATALOG NUMBER	
	KILLARK ALUMINUM	DURALOY IRON	A	B		KILLARK ALUMINUM	DURALOY IRON
1/2"	ENY-1	ENY-1M	4-1/16" (103)	1-9/32" (33)	1-3/32"(30)	ENY-1-T	ENY-1TM
3/4"	ENY-2	ENY-2M	4-3/16" (106)	1-1/2" (38)	1-9/32"(33)	ENY-2-T	ENY-2TM
1"	ENY-3	ENY-3M	5" (127)	1-3/4" (45)	1-13/32"(36)	ENY-3-T	ENY-3TM
1-1/4"	ENY-4	ENY-4M	5-3/8" (137)	2-3/16" (56)	1-25/32"(45)	ENY-4-T	ENY-4TM
1-1/2"	ENY-5	ENY-5M	5-11/16" (144)	2-3/8" (60)	1-29/32"(48)	ENY-5-T	ENY-5TM
2"	ENY-6	ENY-6M	6-3/8" (162)	2-3/8" (60)	2-5/16"(59)	ENY-6-T	ENY-6TM

Dimensions



EYS SEALING FITTINGS						EYS WITH NIPPLE	
HUB SIZE	CATALOG NUMBER		DIMENSIONS		TURNING RADIUS	CATALOG NUMBER	
	KILLARK ALUMINUM	DURALOY IRON	A	B		KILLARK ALUMINUM	DURALOY IRON
1/2"	EYS-1	—	2-15/16"(75)	1-13/16"(46)	1-3/16"(30)	EYS-1-T	—
3/4"	EYS-2	—	4-1/16"(103)	2-1/16"(52)	1-9/32"(33)	EYS-2-T	—
1"	EYS-3	—	4-25/32"(121)	2-11/32"(60)	1-13/32"(36)	EYS-3-T	—
1-1/4"	EYS-4	—	5-3/8"(137)	3"(76)	1-25/32"(45)	EYS-4-T	—
1-1/2"	EYS-5	—	5-11/16"(144)	3-1/4"(83)	1-29/32"(48)	EYS-5-T	—
2"	EYS-6	—	6-3/8"(162)	3-15/16"(100)	2-5/16"(59)	EYS-6-T	—
2-1/2"	EYS-7	EYS-7M	7-5/8"(194)	4-1/2"(114)	4-1/8"(105)	EYS-7-T	EYS-7TM
3"	EYS-8	EYS-8M	7-5/8"(194)	4-1/2"(114)	4-3/8"(111)	EYS-8-T	EYS-8TM
3-1/2"	EYS-9	EYS-9M	7-1/8"(181)	5-3/16"(132)	4-3/4"(121)	EYS-9-T	EYS-9TM
4"	EYS-0	EYS-0M	7-1/8"(181)	5-3/16"(132)	4-3/4"(121)	EYS-0-T	EYS-0TM



SEALING FITTING



EY-3
(For Vertical Conduit) **EY-3-T with Nipple**
(For Vertical Conduit)



EYD-3
(Drain/Seal for vertical conduit) **EYD-3-T with Nipple**
(Drain/Seal for vertical conduit)

EY & EYD Series
Class I, Div. 1 & 2, Groups C, D
Class I, Zone 1, Groups IIB, IIA
Class II, Div. 1 & 2, Groups E, F, G
Class III

UL LISTED File No. E10514
SP Certified File No. LR11716
See files for details or call Killark.

FEATURES-SPECIFICATIONS

Material/Finish

Copper-free Aluminum
(less than 4/10 of 1%)

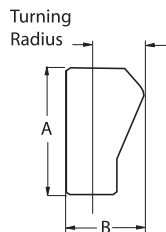
- Electrostatically applied powder coating

Duraloy Iron

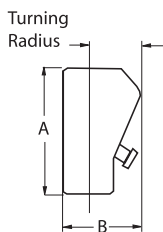
- Tri-Coat Finish of electrozinc, chromate sealant, and electrostatically applied powder coating

EY SEALING FITTINGS						EY WITH NIPPLE	
HUB SIZE	CATALOG NUMBER		DIMENSIONS		TURNING RADIUS	CATALOG NUMBER	
	KILLARK ALUMINUM	DURALOY IRON	A	B		KILLARK ALUMINUM	DURALOY IRON
1/2"	EY-1	EY-1M	3-1/16"(78)	2-3/4"(70)	2-1/4"(57)	EY-1-T	EY-1TM
3/4"	EY-2	EY-2M	3-1/16"(78)	2-3/4"(70)	2-1/4"(57)	EY-2-T	EY-2TM
1"	EY-3	EY-3M	4-9/32"(109)	3-1/8"(79)	2-3/8"(60)	EY-3-T	EY-3TM
1-1/4"	EY-4	EY-4M	5-1/8"(130)	3-7/8"(98)	2-7/8"(73)	EY-4-T	EY-4TM
1-1/2"	EY-5	EY-5M	5-1/8"(130)	4-5/8"(117)	3-7/16"(87)	EY-5-T	EY-5TM
2"	EY-6	EY-6M	5-1/8"(230)	5-11/16"(144)	4-1/4"(108)	EY-6-T	EY-6TM
2-1/2"	EY-7	EY-7M	7"(178)	6-5/16"(160)	4-5/8"(117)	EY-7-T	EY-7TM
3"	EY-8	EY-8M	7"(178)	6-5/16"(160)	4-5/8"(117)	EY-8-T	EY-8TM
3-1/2"	EY-9	EY-9M	8-3/4"(222)	7-1/8"(181)	5-3/8"(138)	EY-9-T	EY-9TM
4"	EY-0	EY-0M	8-3/4"(222)	7-1/8"(181)	5-3/8"(138)	EY-0-T	EY-0TM

Dimensions



EY Series



EYD Series

EYD SEALING FITTINGS						EYD WITH NIPPLE	
HUB SIZE	CATALOG NUMBER		DIMENSIONS		TURNING RADIUS	CATALOG NUMBER	
	KILLARK ALUMINUM	DURALOY IRON	A	B		KILLARK ALUMINUM	DURALOY IRON
1/2"	See New 1/2", 3/4", 1" Drain Seal offering on page F50						
3/4"							
1"							
1-1/4"	EYD-4	EYD-4M	5-1/8"(130)	3-7/8"(98)	2-7/8"(73)	EYD-4-T	EYD-4TM
1-1/2"	EYD-5	EYD-5M	5-1/8"(130)	4-5/8"(117)	3-7/16"(87)	EYD-5-T	EYD-5TM
2"	EYD-6	EYD-6M	5-1/8"(130)	5-11/16"(144)	4-1/4"(108)	EYD-6-T	EYD-6TM
2-1/2"	EYD-7	EYD-7M	7"(178)	6-5/16"(160)	4-5/8"(117)	EYD-7-T	EYD-7TM
3"	EYD-8	EYD-8M	7"(178)	6-5/16"(160)	4-5/8"(117)	EYD-8-T	EYD-8TM
3-1/2"	EYD-9	EYD-9M	8-3/4"(122)	7-1/8"(181)	5-3/8"(137)	EYD-9-T	EYD-9TM
4"	EYD-0	EYD-0M	8-3/4"(122)	7-1/8"(181)	5-3/8"(137)	EYD-0-T	EYD-0TM



FITTINGS

25% FILL VERTICAL SEALING FITTINGS



EY-75M



EY-75TM

EY Series
 Class I, Div. 1 & 2, Groups B, C, D
 Class I, Zone 1, Groups IIB, IIA
 Class II, Div. 1 & 2, Groups E, F, G
 Class III



FEATURES-SPECIFICATIONS

Applications

To seal conduits in vertical runs. To minimize the passage of gases and vapors and prevent the passage of flames from one portion of the electrical system to another through the conduit.

Features

- Large opening for easy packing of fiber dam and pouring of compound
- Integral bushings in conduit hubs to protect conductor insulation from damage
- Npt tapped hubs to ensure ground continuity
- Design provides minimum turning radius
- 25% conductor fill
- EY-T style supplied with removeable close nipples

Material/Finish

Copper-free Aluminum
 (less than 4/10 of 1%)

- Electrostatically applied powder coating

Duraloy Iron

- Tri-Coat Finish of electrozinc, chromate sealant, and electrostatically applied powder coating

EY VERTICAL SEALING FITTINGS						
HUB SIZE	CATALOG NUMBER	DIMENSIONS		TURNING RADIUS*	SEALING COMPOUND REQUIRED	PER HUB (PF)
	KILLARK ALUMINUM	A	B			
1/2"	EY-50	3-5/16" (84)	1-1/8" (29)	1-11/16" (37)	3/4 oz.	1/32 oz.
3/4"	EY-75	3-11/16" (94)	1-5/16" (33)	2" (51)	1-3/4 oz.	1/16 oz.
1"	EY-100	4-3/8" (111)	1-5/8" (41)	2-7/16" (62)	3-3/4 oz.	1/8 oz.

*Turning radius with plug removed.

EY VERTICAL SEALING FITTINGS WITH NIPPLE						
HUB SIZE	CATALOG NUMBER	DIMENSIONS		TURNING RADIUS*	SEALING COMPOUND REQUIRED	PER HUB (PF)
	KILLARK ALUMINUM	A	B			
1/2"	EY-50-T	4-3/16" (106)	1-1/8" (29)	1-11/16" (37)	3/4 oz.	1/32 oz.
3/4"	EY-75-T	4-9/16" (116)	1-5/16" (33)	2" (51)	1-3/4 oz.	1/16 oz.
1"	EY-100-T	5-1/2" (140)	1-5/8" (41)	2-7/16" (62)	3-3/4 oz.	1/8 oz.

*Turning radius with plug removed.

EY VERTICAL SEALING FITTINGS						
HUB SIZE	CATALOG NUMBER	DIMENSIONS		TURNING RADIUS*	SEALING COMPOUND REQUIRED	PER HUB (PF)
	KILLARK ALUMINUM	A	B			
1/2"	EY-50M	3-5/16" (84)	1-1/8" (29)	1-11/16" (37)	3/4 oz.	1/32 oz.
3/4"	EY-75M	3-11/16" (94)	1-5/16" (33)	2" (51)	1-3/4 oz.	1/16 oz.
1"	EY-100M	4-3/8" (111)	1-5/8" (41)	2-7/16" (62)	3-3/4 oz.	1/8 oz.

*Turning radius with plug removed.

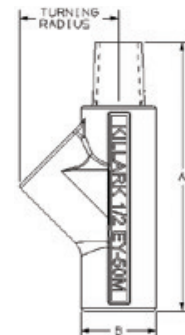
EY VERTICAL SEALING FITTINGS WITH NIPPLE						
HUB SIZE	CATALOG NUMBER	DIMENSIONS		TURNING RADIUS*	SEALING COMPOUND REQUIRED	PER HUB (PF)
	KILLARK ALUMINUM	A	B			
1/2"	EY-50TM	4-3/16" (106)	1-1/8" (29)	1-11/16" (37)	3/4 oz.	1/32 oz.
3/4"	EY-75TM	4-9/16" (116)	1-5/16" (33)	2" (51)	1-3/4 oz.	1/16 oz.
1"	EY-100TM	5-1/2" (140)	1-5/8" (41)	2-7/16" (62)	3-3/4 oz.	1/8 oz.

*Turning radius with plug removed.

EY Female to Female



EY with Nipple Male to Female





DRAIN SEALING FITTING



EYD-75M

EYD-75TM

Class I, Div. 1 & 2, Groups B, C, D
 Class I, Zone 1, Groups IIB+H₂, IIA
 Class II, Div. 1 & 2, Groups E, F, G
 Class III



FEATURES-SPECIFICATIONS

Applications

To seal and drain vertical conduits. To minimize the passage of gases and vapors and prevent the passage of flames from one portion of the electrical system to another through the conduit.

Features

- Threaded for Rigid Conduit or IMC
- Tapered threads (NPT)
- Simple to install. Internal drainage path provides a visual means to ensure that the compound chamber is properly filled. No need to use hoses and wires
- Large cover openings for easy packing of fiber dam on 1/2" through 1" sizes
- Temporary plastic sleeve protects thread for drain/breather from contamination when pouring compound
- Unique design enables installation of drain/breather right after compound is poured – no waiting
- Provides continuous water drain path while allowing conduit run to breathe, in compliance with the NEC
- Includes Drain Breather Fitting KDB-375

Material/Finish

Copper-free Aluminum
 (less than 4/10 of 1%)

- Electrostatically applied powder coating

Duraloy Iron

- Tri-Coat Finish of electrozinc, chromate sealant, and electro-statically applied powder coating

EYD DRAIN SEALING FITTINGS						
HUB SIZE	CATALOG NUMBER	DIMENSIONS		TURNING RADIUS*	SEALING COMPOUND REQUIRED	PER HUB (PF)
	KILLARK ALUMINUM	A	B			
1/2"	EYD-50	3-1/2"(89)	1-1/8"(29)	1-5/8"(41)	1-1/4 oz.	1/32 oz.
3/4"	EYD-75	3-3/4"(95)	1-3/8"(35)	1-3/4"(45)	2 oz.	1/16 oz.
1"	EYD-100	4-3/8"(111)	1-3/4"(45)	2-1/8"(54)	4 oz.	1/8 oz.

* Turning radius with plug removed.

EYD DRAIN SEALING FITTINGS WITH NIPPLE						
HUB SIZE	CATALOG NUMBER	DIMENSIONS		TURNING RADIUS*	SEALING COMPOUND REQUIRED	PER HUB (PF)
	KILLARK ALUMINUM	A	B			
1/2"	EYD-50T	4-3/8"(111)	1-1/8"(29)	1-5/8"(41)	1-1/4 oz.	1/32 oz.
3/4"	EYD-75T	4-5/8"(118)	1-3/8"(35)	1-3/4"(45)	2 oz.	1/16 oz.
1"	EYD-100T	5-1/2"(140)	1-3/4"(45)	2-1/8"(54)	4 oz.	1/8 oz.

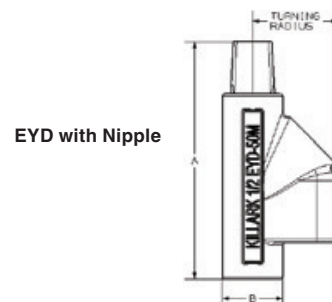
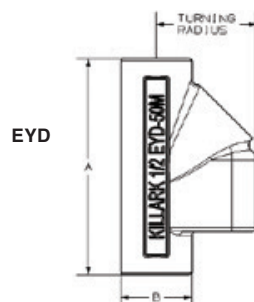
* Turning radius with plug removed.

EYD DRAIN SEALING FITTINGS – IRON						
HUB SIZE	CATALOG NUMBER	DIMENSIONS		TURNING RADIUS*	SEALING COMPOUND REQUIRED	PER HUB (PF)
	DURALOY IRON	A	B			
1/2"	EYD-50M	3-1/2"(89)	1-1/8"(29)	1-5/8"(41)	1-1/4 oz.	1/32 oz.
3/4"	EYD-75M	3-3/4"(95)	1-3/8"(35)	1-3/4"(45)	2 oz.	1/16 oz.
1"	EYD-100M	4-3/8"(111)	1-3/4"(45)	2-1/8"(54)	4 oz.	1/8 oz.

* Turning radius with plug removed.

EYD DRAIN SEALING FITTINGS WITH NIPPLE – IRON						
HUB SIZE	CATALOG NUMBER	DIMENSIONS		TURNING RADIUS*	SEALING COMPOUND REQUIRED	PER HUB (PF)
	DURALOY IRON	A	B			
1/2"	EYD-50TM	4-3/8"(111)	1-1/8"(29)	1-5/8"(41)	1-1/4 oz.	1/32 oz.
3/4"	EYD-75TM	4-5/8"(118)	1-3/8"(35)	1-3/4"(45)	2 oz.	1/16 oz.
1"	EYD-100TM	5-1/2"(140)	1-3/4"(45)	2-1/8"(54)	4 oz.	1/8 oz.

* Turning radius with plug removed.



FITTINGS

ENY40/EYD40 SERIES



40% FILL SEALING FITTINGS



ENY



EYD

ENY40-1, 2, 3, 4, 5
 Class I, Div. 1 & 2, Groups B, C, D
 Class I, Zone 1, Groups IIB+H₂, IIA
 Class II, Div. 1 & 2, Groups E, F, G
 Class III

ENY40-6, 7, 8, 9, 0
EYD40 (1 through 0) -6, 7, 8, 9, 0
 Class I, Div. 1 & 2, Groups C, D
 Class I, Zone 1, Groups IIB, IIA
 Class II, Div. 1 & 2, Groups E, F, G
 Class III

FEATURES-SPECIFICATIONS

Application

To seal Rigid Conduit or IMC Raceways with up to 40% wire fill.

Features

- A 40% wire fill capacity
- Large openings with threaded closures to provide easy access to conduit hubs for making dams
- Integral bushing in conduit hubs to protect conductor insulation from damage
- Npt threaded hubs to ensure ground continuity
- Minimum turning radius

Material/Finish

Copper-free Aluminum
 (less than 4/10 of 1%)

- Electrostatically applied powder coating

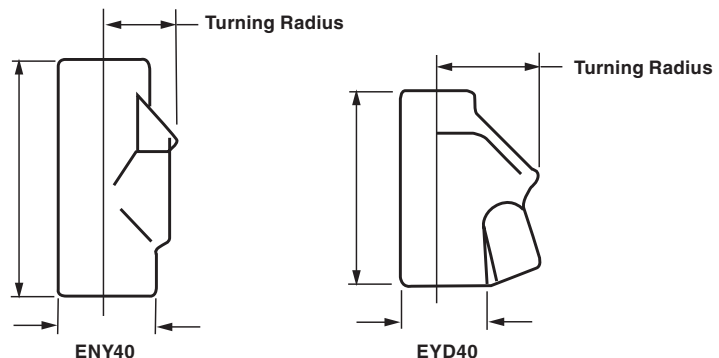
Duraloy Iron

- Tri-Coat Finish of electrozinc, chromate sealant, and electrostatically applied powder coating

ENY40 40% VERTICAL AND/OR HORIZONTAL CONDUIT SEALING FITTINGS							
HUB SIZE	CATALOG NUMBER		DIMENSIONS		TURNING RADIUS*	REQUIRED SEALING COMPOUND & PACKING FIBER OZ.	PER HUB (PF)
	KILLARK ALUMINUM	DURALOY IRON	A	B			
1/2"	ENY40-1	ENY40-1M	4-1/16"(103)	2-1/16"(52)	1-9/32"(33)	2	0.06
3/4"	ENY40-2	ENY40-2M	4-25/32"(121)	2-11/32"(60)	1-13/32"(36)	4	0.12
1"	ENY40-3	ENY40-3M	5-3/8"(137)	3"(76)	1-25/32"(45)	7	0.26
1-1/4"	ENY40-4	ENY40-4M	5-11/16"(144)	3-1/4"(83)	1-29/32"(48)	13	1.00
1-1/2"	ENY40-5	ENY40-5M	6-3/8"(162)	3-15/16"(100)	2-5/16"(59)	22	2.00
2"	ENY40-6	ENY40-6M	7-5/8"(194)	4-1/2"(114)	4-1/8"(105)	36	3.00
2-1/2"	ENY40-7	ENY40-7M	7-5/8"(194)	4-1/2"(114)	4-3/8"(111)	61	3.56
3"	ENY40-8	ENY40-8M	7-1/8"(181)	5-3/16"(132)	4-3/4"(121)	89	6.00
3-1/2"	ENY40-9	ENY40-9M	7-1/8"(181)	5-3/16"(132)	4-3/4"(121)	114	7.00
4"	ENY40-0	ENY40-0M	11-1/16"(281)	6-1/2"(165)	4-1/4"(108)	202	9.60

EYD40 40% VERTICAL CONDUIT DRAIN SEALING FITTINGS							
HUB SIZE	CATALOG NUMBER		DIMENSIONS		TURNING RADIUS*	REQUIRED SEALING COMPOUND & PACKING FIBER OZ.	PER HUB (PF)
	KILLARK ALUMINUM	DURALOY IRON	A	B			
1/2"	EYD40-1	EYD40-1M	4-9/32"(109)	3-1/8"(79)	2-1/4"(57)	4	0.03
3/4"	EYD40-2	EYD40-2M	4-9/32"(109)	3-1/8"(79)	2-1/4"(57)	6	0.06
1"	EYD40-3	EYD40-3M	5-1/8"(130)	3-7/8"(98)	2-7/8"(73)	7	0.13
1-1/4"	EYD40-4	EYD40-4M	5-1/8"(130)	4-5/8"(117)	3-7/16"(87)	13	0.50
1-1/2"	EYD40-5	EYD40-5M	5-1/8"(130)	5-11/16"(144)	4-1/4"(108)	22	1.00
2"	EYD40-6	EYD40-6M	7"(178)	6-5/16"(160)	4-5/8"(117)	36	1.50
2-1/2"	EYD40-7	EYD40-7M	7"(178)	6-5/16"(160)	4-5/8"(117)	61	1.75
3"	EYD40-8	EYD40-8M	8-3/4"(122)	7-1/8"(181)	5-3/8"(137)	89	3.00
3-1/2"	EYD40-9	EYD40-9M	8-3/4"(122)	7-1/8"(181)	5-3/8"(137)	114	3.50
4"	EYD40-0	EYD40-0M	11-1/16"(281)	6-1/2"(165)	4-1/4"(108)	202	4.50

* Turning radius with cover plug removed.





SEALING MATERIALS



Sealing Compound



Packing Fiber



Thread Lubricants

FEATURES-SPECIFICATIONS

Series SC/PF/LUBG

Sealing Materials

SC Series Sealing compound is a cement used extensively for sealing conduit to prevent the spread of explosive gases. It is non-shrinking and a secure seal is formed. SC Series resists acids, water, oil, etc. It is UL Listed for use with Killark ENY, EY, and EYS Series. Also CSA certified for use with any CSA certified sealing fitting.

Packing Fiber

Killark's Packing Fiber is made from an environmentally safe, non-asbestos material. It is easy to use and forms a positive dam to hold compound (Killark SC Type) in ENY, EY, and EYS Series fittings.

Threaded Lubricants

Two special blends of lubricants have been developed by Killark for use with threaded joints. These lubricants are to be used to prevent galling of pipe threads when threaded into a coupling, junction box, etc. They insure a quick release of undamaged male and female threads when parts are disassembled.

LUBG is a general purpose lubricant to be used in temperatures ranging from 0° to 125°F.

LUBT is a high-quality lubricant to be used in temperatures ranging from -40° to +500°F. It is recommended to be used on hazardous location lighting fixtures.

OUNCES REQUIRED PER FITTING				
HUB SIZE	SEALING COMPOUND			PACKING FIBER
	ENY ^①	EYS ^①	EY/EYD	
1/2"	1.5 oz.	3.0 oz.	1.0 oz.	1/16 oz.
3/4"	2.0 oz.	3.0 oz.	2.0 oz.	1/8 oz.
1"	3.0 oz.	8.0 oz.	4.5 oz.	1/4 oz.
1-1/4"	6.5 oz.	8.5 oz.	7.5 oz.	1/2 oz.
1 1/2"	8.5 oz.	17.5 oz.	12.0 oz.	1 oz.
2"	15.0 oz.	27.0 oz.	24.0 oz.	2 oz.
2-1/2"	—	42.0 oz.	44.0 oz.	3 oz.
3"	—	47.0 oz.	44.0 oz.	4 oz.
3-1/2"	—	56.0 oz.	75.0 oz.	6 oz.
4"	—	56.0 oz.	75.0 oz.	9 oz.

^① ENY/EYS suitable for both horizontal or vertical applications.

SEALING COMPOUND	
CATALOG NUMBER	SIZE PACKAGE
SC-4 OZ	4 oz.
SC-8 OZ	8 oz.
SC-1 LB	1 lb.
SC-5 LB	5 lbs.

PACKING FIBER	
CATALOG NUMBER	SIZE PACKAGE
PF-2	2 oz.
PF-4	4 oz.
PF-16	1 lb.

THREAD LUBRICANTS	
CATALOG NUMBER	CONTAINER PACKAGE
LUBT-2	2 oz.
LUBG-6	6 oz.

FITTINGS

SC SERIES



SEALING MATERIALS



FEATURES-SPECIFICATIONS

Applications

Sealing Compound

SC Series Sealing compound is a cement used extensively for sealing conduit to prevent the spread of explosive gases. It is non-shrinking and a secure seal is formed. SC Series resists acids, water, oil, etc. It is UL Listed for use with Killark ENY, EY, and EYS Series. Also CSA certified for use with any CSA certified sealing fitting.

Features

- Exact amount of compound and water are packaged together into a two-compartment plastic pouch.
- The precise amount of compound and water are available for mixing. No mixing or measure implements are required.
- Squeezing the inner water container forces the water into the compartment containing the sealing compound. Complete mixing takes place inside the plastic pouch.
- The mixed sealing compound can be poured directly into the sealing fitting. A tubular straw is provided for those difficult seals to reach.
- The package label indicates the size and quantity of sealing fittings each pouch will properly fill.

CATALOG NUMBER	HUB SIZE	SC5W WILL FILL THE FOLLOWING			CU. IN. FILL PER POUCH	NO. OF POUCHES PER CARTON
		ENY	EYS	EY/EYD		
SC5W ^①	1/2"	3	1	5	5	
	3/4"	2	1	2		
	1"	1	-	1		

CATALOG NUMBER	HUB SIZE	SC11W WILL FILL THE FOLLOWING			CU. IN. FILL PER POUCH	NO. OF POUCHES PER CARTON
		ENY	EYS	EY/EYD		
SC11W ^①	1/2"	7	3	11	11	5
	3/4"	5	3	5		
	1"	3	1	2		

^① Appropriate amount of Packing Fiber is included in carton. Additional Packing Fiber maybe purchased separately.



ALUMINUM OUTLET BODIES



C Type



L Type

Class I, Div. 1 & 2, Groups B, C, D*
 Class I, Zone I, Groups IIC, IIB, IIA
 Class II, Div. 1 & 2, Groups E, F, G
 Class III
 NEMA 4X

UL LISTED File No. E 10514

SP Certified File No. LR11716

FEATURES-SPECIFICATIONS

Applications

GEB series conduit boxes are installed in conduit systems within hazardous areas to:

- Protect conductors in threaded rigid conduit
- Act as pull and splice boxes
- Interconnect lengths of conduit
- Change conduit direction
- Provide access to conductors for maintenance and future system changes

Features

- Suitable for NEMA 4X applications
- Integral mounting lugs
- Green ground screw standard
- External cover thread on body plus smooth integral hub bushing protects conductor insulation when pulling
- 4 different hub arrangements
- Taper threaded hubs provide ground continuity
- External threaded body for additional wiring room
- Covers and gaskets furnished with boxes as standard

Factory Modification

- Back and wall (mounting pad area) suitable for drilling 1/2" or 3/4" NPT or NPSM w/opening, consult factory

Material/Finish

Aluminum

- **BODY & COVER** Copper-free aluminum (less than 4/10 of 1%)
- **FINISH** Electrostatically applied powder coating

Size Ranges

- Hub – 3/4" to 1-1/2"
- Cover opening – 3-1/2"

Applicable Third Party Standards

UL Standards: 886 and 1203
 CSA Standards: C22.2 No. 30

* 1-1/2" hub sizes require seal within 24" for Group B applicators.

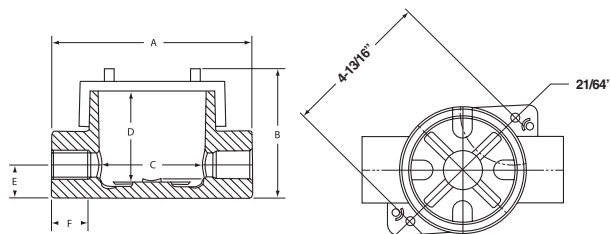
For ATEX and IEC Ex certified GEB Outlet Bodies, see page F56

C TYPE OUTLET BODY

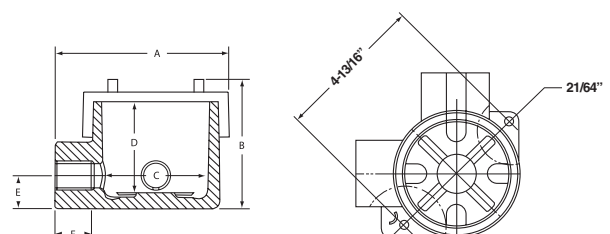
CATALOG NUMBER	HUB SIZE	DIMENSIONS						COVER OPENING	VOLUME CU. IN.
		A	B	C	D	E	F		
GEBC-2	3/4"	6-1/2" (165)	4-5/16" (110)	3-1/4" (83)	2-15/16" (75)	1-3/32" (28)	1-3/16" (30)	3-1/2" (89)	29
GEBC-3	1"	6-1/2" (165)	4-5/16" (110)	3-1/4" (83)	2-15/16" (75)	1-3/32" (28)	1-3/16" (30)	3-1/2" (89)	29
GEBC-4	1-1/4"	6-1/2" (165)	4-5/16" (110)	3-1/4" (83)	2-15/16" (75)	1-3/32" (28)	1-3/16" (30)	3-1/2" (89)	29
GEBC-5	1-1/2"	6-1/2" (165)	4-5/16" (110)	3-1/4" (83)	2-15/16" (75)	1-3/32" (28)	1-3/16" (30)	3-1/2" (89)	29

L TYPE OUTLET BODY

CATALOG NUMBER	HUB SIZE	DIMENSIONS						COVER OPENING	VOLUME CU. IN.
		A	B	C	D	E	F		
GEBL-2	3/4"	5-1/2" (140)	4-5/16" (110)	3-1/4" (83)	2-15/16" (75)	1-3/32" (28)	1-3/16" (30)	3-1/2" (89)	29
GEBL-3	1"	5-1/2" (140)	4-5/16" (110)	3-1/4" (83)	2-15/16" (75)	1-3/32" (28)	1-3/16" (30)	3-1/2" (89)	29
GEBL-4	1-1/4"	5-1/2" (140)	4-5/16" (110)	3-1/4" (83)	2-15/16" (75)	1-3/32" (28)	1-3/16" (30)	3-1/2" (89)	29
GEBL-5	1-1/2"	5-1/2" (140)	4-5/16" (110)	3-1/4" (83)	2-15/16" (75)	1-3/32" (28)	1-3/16" (30)	3-1/2" (89)	29



C Type



L Type



FITTINGS

ALUMINUM OUTLET BODIES



T Type



X Type

Class I, Div. 1 & 2, Groups B, C, D*
Class I, Zone I, Groups IIC, IIB, IIA
Class II, Div. 1 & 2, Groups E, F, G
Class III
NEMA 4X

LISTED File No. E 10514

Certified File No. LR11716

FEATURES-SPECIFICATIONS

See page F51 for Standard Materials & Finish

**Outlet Box for in-line
(multiple) stanchion mount fixtures**

Typical Applications:
 Coal Conveyors, Cat Walks, Platform Hand Rails



GEBT-25 with two 3/4" feed-thru hubs and one 1-1/2" vertical hub

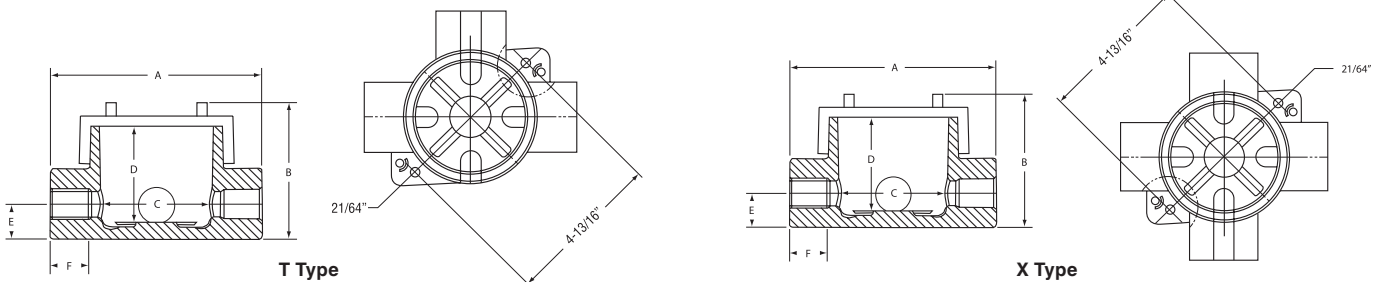
T TYPE OUTLET BODY									
CATALOG NUMBER	HUB SIZE	DIMENSIONS						COVER OPENING	VOLUME CU. IN.
		A	B	C	D	E	F		
GEBT-2	3/4"	6-1/2" (165)	4-5/16" (110)	3-1/4" (83)	2-15/16" (75)	1-3/32" (28)	1-3/16" (30)	3-1/2" (89)	29
GEBT-3	1"	6-1/2" (165)	4-5/16" (110)	3-1/4" (83)	2-15/16" (75)	1-3/32" (28)	1-3/16" (30)	3-1/2" (89)	29
GEBT-4	1-1/4"	6-1/2" (165)	4-5/16" (110)	3-1/4" (83)	2-15/16" (75)	1-3/32" (28)	1-3/16" (30)	3-1/2" (89)	29
GEBT-5	1-1/2"	6-1/2" (165)	4-5/16" (110)	3-1/4" (83)	2-15/16" (75)	1-3/32" (28)	1-3/16" (30)	3-1/2" (89)	29
GEBT-24	(2) 3/4" (1) 1-1/4"	6-1/2" (165)	4-5/16" (110)	3-1/4" (83)	2-15/16" (75)	1-3/32" (28)	1-3/16" (30)	3-1/2" (89)	29
GEBT-25	(2) 3/4" (1) 1-1/2"	6-1/2" (165)	4-5/16" (110)	3-1/4" (83)	2-15/16" (75)	1-3/32" (28)	1-3/16" (30)	3-1/2" (89)	29

* 1-1/2" hub size requires seal within 24" for group B applications.

X TYPE OUTLET BODY									
CATALOG NUMBER	HUB SIZE	DIMENSIONS						COVER OPENING	VOLUME CU. IN.
		A	B	C	D	E	F		
GEBX-2	3/4"	6-1/2" (165)	4-5/16" (110)	3-1/4" (83)	2-15/16" (75)	1-3/32" (28)	1-3/16" (30)	3-1/2" (89)	29
GEBX-3	1"	6-1/2" (165)	4-5/16" (110)	3-1/4" (83)	2-15/16" (75)	1-3/32" (28)	1-3/16" (30)	3-1/2" (89)	29
GEBX-4	1-1/4"	6-1/2" (165)	4-5/16" (110)	3-1/4" (83)	2-15/16" (75)	1-3/32" (28)	1-3/16" (30)	3-1/2" (89)	29
GEBX-5	1-1/2"	6-1/2" (165)	4-5/16" (110)	3-1/4" (83)	2-15/16" (75)	1-3/32" (28)	1-3/16" (30)	3-1/2" (89)	29

For ATEX and IEC Ex certified GEB Outlet Bodies, see page F56

Dimensions





INSTRUMENT / DEVICE – UL / CSA / ATEX / IECEx



GR with Cover



CLASSIFIED - File E83969

Certified - LR11716

Sira 12ATEX1243U

IECEx SIR 12.0106U

Class I, Div. 1 & 2, Groups B, C, D
 Class I, Zone 1 & 2, Groups IIC, IIB, IIA
 Class II, Div. 1 & 2, Groups E, F, G
 Class III

Enclosure Type 3, 4 & 4X IP66

0539 II 2 G D
 Ex d IIC Gb
 Ex e IIC Gb
 Ex t IIIC Db
 Ta = -40°C to +163°C* IP66

FEATURES-SPECIFICATIONS

Applications

GEB-EX SERIES is designed to house small instrumentation or devices for installation in a classified or a zone designated hazardous location anywhere on the **GLOBE** today.

Typical types of instruments are transmitters, monitors, detectors, measurement devices, relays and other control devices.

The **GEB-EX SERIES** enclosures are suitable for a broad range of **GLOBAL APPLICATIONS** meeting both domestic and international electrical code requirements.

Features

- Body opening 3-1/2" Dia. x 3" deep.
- Cover o-ring supplied as standard for **TYPE 4X AND IP66** applications.
- Available in 4 configurations, C, L, T & X with **1/2" THROUGH 1-1/2" NPT TAPER THREADED HUBS** providing ground continuity.
- Smooth integral hub busing to protect conductor insulation when pulling.
- External cover threads on the body protecting conductors from damages during pulling.
- No pinching of conductors during cover installation.
- One internal & two external grounding (earthing) connections
- Boxes have integral mounting lugs.
- Lugs on cover permit easy removal and tightening.

Materials

- Box & cover: Copper free aluminum (less than 4/10 of 1%)
- Finish: Electrostatically applied powder coating – Grey
- O-Ring Gasket Material: Nitrile compound
- Hub Sizes: 1/2 NPT to 1-1/2 NPT
- Stainless steel tamper-proof locking set screw in cover.
- "X" configured cast-in mounting pad. Supplied with 4 corded holes for #8-32 self-tapping screws for mounting devices as standard. Units can also be provided with internal customer specified drilling and tapping for OEM device mounting.

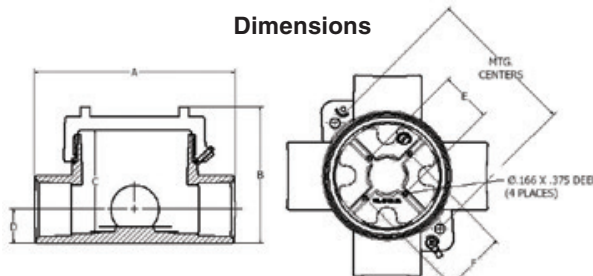


Application Example

HUB TYPE	CATALOG NUMBER	HUB SIZE	HUB TYPE	CATALOG NUMBER	HUB SIZE
C	GEB-1-EX	1/2"	L	GEBL-1-EX	1/2"
	GEB-2-EX	3/4"		GEBL-2-EX	3/4"
	GEB-3-EX	1"		GEBL-3-EX	1"
	GEB-4-EX	1-1/4"		GEBL-4-EX	1-1/4"
	GEB-5-EX	1-1/2"		GEBL-5-EX	1-1/2"
T	GEBT-1-EX	1/2"	X	GEBX-1-EX	1/2"
	GEBT-2-EX	3/4"		GEBX-2-EX	3/4"
	GEBT-3-EX	1"		GEBX-3-EX	1"
	GEBT-4-EX	1-1/4"		GEBX-4-EX	1-1/4"
	GEBT-5-EX	1-1/2"		GEBX-5-EX	1-1/2"
	GEBT-24-EX	3/4 - 1-1/4"			
	GEBT-25-EX	3/4 - 1-1/2"			

NOTE - 1/2" Hub Size supplied with 3/4"-1/2" NPT reducer

Dimensions



DIMENSIONS					
A	B	E	COVER OPENING	VOLUME IN ³ / ML	MOUNTING CENTERS
5.5"	4.31"	1.09"	3.5"	29	4.81"
140mm	110mm	28mm	89mm	48ml	122mm



FITTINGS

ALUMINUM AND IRON OUTLET BODIES



GEC
E Type



GEJ
E Type

- 1/2", 3/4" and 1" Bodies^①
Class I, Div. 1 & 2, Groups C & D
Class I, Zone 1, Groups IIB, IIA
- 1-1/4", 1-1/2", and 2" Bodies
Class I, Div. 1 & 2, Group D
Class I, Zone 1, Group IIA
- Class II, Div. 1 & 2, Groups E, F, G
- Class III
- For GEJ Series CSA applications for Class I
Group C, seal conduit within 18 inches

UL LISTED File No. E 10514

SP Certified File No. LR11716

FEATURES-SPECIFICATIONS

Applications

GE series conduit boxes are installed in conduit systems within hazardous areas to:

- Protect conductors in threaded rigid conduit
- Act as pull and splice boxes
- Interconnect lengths of conduit
- Change conduit direction
- Provide access to conductors for maintenance and future system changes

Features

GE conduit outlet boxes have:

- GEM, GEC and GES have water shedding cover – suitable for wet locations when mounted in upright position
- External cover threads on body protecting conductors from damage during pulling
- No pinching of conductors during cover installation
- Ten different hub arrangements
- Taper threaded hubs to provide ground continuity
- Smooth integral hub bushing to protect conductor insulation when pulling
- Internally threaded cover openings for additional wiring room
- Covers furnished with boxes
- Weather-resistant finish
- Green ground screw standard in all boxes

Material/Finish

Aluminum

- **BODY** Copper-free aluminum (less than 4/10 of 1%)
- **FINISH** Electrostatically applied powder coating
- **COVER** (Aluminum) Copper-free aluminum (less than 4/10 of 1%). Electrostatically applied powder coating

Iron

- **BODY** Duraloy iron alloy
- **FINISH** Tri-coat finish of electrozinc, chromate sealant, and electrostatically applied powder coating

COVER (Aluminum)

Copper-free aluminum (less than 4/10 of 1%). Electrostatically applied powder coating

Size Ranges

- Hub – 1/2" to 2"
- Cover opening – 2-1/16" to 4-7/8" diameter

Applicable Third Party Standards

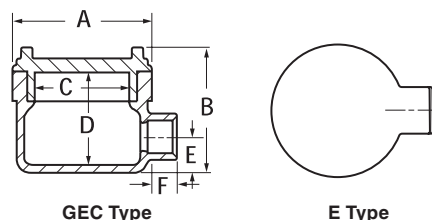
UL Standards: 886 and 1203
CSA Standard: C22.2 No. 30
Fed Spec: W-C-586D
Mil Spec: F-28675

E TYPE OUTLET BODY*											
CATALOG NUMBER		HUB SIZE	DIMENSIONS						COVER OPENINGS	VOLUME CU. IN.	
KILLARK ALUM.	DURALOY IRON		A	B	C	D	E	F			
GECET-1	GECET-1M	1/2"	3-11/16" (94)	3-5/8" (92)	2-11/16" (68)	2-3/4" (70)	1" (25)	13/16" (21)	2-11/16" (68)	18	
GECET-2	GECET-2M	3/4"	3-11/16" (94)	3-5/8" (92)	2-11/16" (68)	2-3/4" (70)	1" (25)	13/16" (21)	2-11/16" (68)	18	
GECET-3	GECET-3M	1"	3-11/16" (94)	3-5/8" (92)	2-11/16" (68)	2-3/4" (70)	1" (25)	1-1/8" (21)	2-11/16" (68)	19	
—	—	1-1/4"	—	—	—	—	—	—	—	—	
GEJET-5	GEJET-5M	1-1/2"	6-1/4" (159)	4-3/8" (111)	4-7/8" (124)	3-9/16" (90)	1-3/16" (46)	1-3/16" (46)	4-7/8" (124)	75	

* For GROUP B applications, contact factory.

For ATEX and IEC Ex certified GE Outlet Bodies, contact factory

Dimensions



① 1/2", 3/4" and 1" GEC Bodies Listed and Certified for:
Class I, Div. 1 & 2, Groups B, C, D
Class I, Zones 1 & 2, Groups IIB + H₂
Class II, Div. 1 & 2, Groups E, F, G
Class III
Type 4X (NEMA)



ALUMINUM AND IRON OUTLET BODIES



GES
C Type



GEM
L Type

- 1/2", 3/4" and 1" Bodies[Ⓞ]
Class I, Div. 1 & 2, Groups C & D
Class I, Zone 1, Groups IIB, IIA
- 1-1/4", 1-1/2", and 2" Bodies
Class I, Div. 1 & 2, Group D
Class I, Zone 1, Group IIA
- Class II, Div. 1 & 2, Groups E, F, G
- Class III
- For GEJ Series CSA applications for Class I Group C, seal conduit within 18 inches

UL LISTED File No. E 10514

SP Certified File No. LR11716

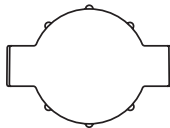
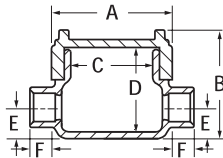
FEATURES-SPECIFICATIONS

See page F51 for Standard Materials & Finish

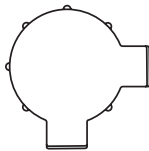
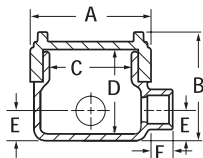
Applicable Third Party Standards

UL Standards: 886 and 1203
CSA Standard: C22.2 No. 30
Fed Spec: W-C-586D
Mil Spec: F-28675

Dimensions



C Type



L Type

C TYPE OUTLET BODY*										
CATALOG NUMBER	HUB SIZE	DIMENSIONS							COVER OPENINGS	VOLUME CU. IN.
		KILLARK ALUM.	DURALLOY IRON	A	B	C	D	E		
GEMC-1	—	1/2"	2-13/16" (71)	3" (76)	2-1/16" (52)	2-5/16" (79)	11/16" (17)	13/16" (21)	2-1/16" (52)	8
GEMC-2	—	3/4"	2-13/16" (71)	3" (76)	2-1/16" (52)	2-5/16" (79)	11/16" (17)	13/16" (21)	2-1/16" (52)	8
GECCT-1	GECCT-1M	1/2"	3-11/16" (94)	3-5/8" (92)	2-11/16" (68)	2-3/4" (70)	1" (25)	13/16" (21)	2-11/16" (68)	18
GECCT-2	GECCT-2M	3/4"	3-11/16" (94)	3-5/8" (92)	2-11/16" (68)	2-3/4" (70)	1" (25)	13/16" (21)	2-11/16" (68)	18
GECCT-3	GECCT-3M	1"	3-11/16" (94)	3-5/8" (92)	2-11/16" (68)	2-3/4" (70)	1" (25)	1-1/8" (28)	2-11/16" (68)	19
GESCT-3	GESCT-3M	1"	5-1/16" (128)	4-1/8" (105)	3-9/16" (90)	3-7/16" (87)	1-1/16" (27)	1-1/8" (28)	3-9/16" (90)	42
GESCT-4	GESCT-4M	1-1/4"	5-1/16" (128)	4-1/8" (105)	3-9/16" (90)	3-7/16" (87)	1-1/16" (27)	1-3/16" (30)	3-9/16" (90)	42
GEJCT-5	GEJCT-5M	1-1/2"	6-1/4" (159)	4-3/8" (111)	4-7/8" (124)	3-9/16" (90)	1-3/16" (30)	1-3/16" (30)	4-7/8" (124)	75
GEJCT-6	GEJCT-6M	2"	6-1/4" (159)	4-3/8" (111)	4-7/8" (124)	3-9/16" (90)	1-1/2" (38)	1-3/16" (30)	4-7/8" (124)	75

L TYPE OUTLET BODY*										
CATALOG NUMBER	HUB SIZE	DIMENSIONS							COVER OPENINGS	VOLUME CU. IN.
		KILLARK ALUM.	DURALLOY IRON	A	B	C	D	E		
GEML-1	—	1/2"	2-13/16" (71)	3" (76)	2-1/16" (52)	2-5/16" (79)	11/16" (17)	13/16" (21)	2-1/16" (52)	8
GEML-2	—	3/4"	2-13/16" (71)	3" (76)	2-1/16" (52)	2-5/16" (79)	11/16" (17)	13/16" (21)	2-1/16" (52)	8
GECLT-1	GECLT-1M	1/2"	3-11/16" (94)	3-5/8" (92)	2-11/16" (68)	2-3/4" (70)	1" (25)	13/16" (21)	2-11/16" (68)	18
GECLT-2	GECLT-2M	3/4"	3-11/16" (94)	3-5/8" (92)	2-11/16" (68)	2-3/4" (70)	1" (25)	13/16" (21)	2-11/16" (68)	18
GECLT-3	GECLT-3M	1"	3-11/16" (94)	3-5/8" (92)	2-11/16" (68)	2-3/4" (70)	1" (25)	13/16" (28)	2-11/16" (68)	18
GESLT-3	GESLT-3M	1"	5-1/16" (128)	4-1/8" (105)	3-9/16" (90)	3-7/16" (87)	1-1/16" (27)	1-1/8" (28)	3-9/16" (90)	42
GESLT-4	GESLT-4M	1-1/4"	5-1/16" (128)	4-1/8" (105)	3-9/16" (90)	3-7/16" (87)	1-1/16" (27)	1-3/16" (30)	3-9/16" (90)	42
GEJLT-5	GEJLT-5M	1-1/2"	6-1/4" (159)	4-3/8" (111)	4-7/8" (124)	3-9/16" (87)	1-3/16" (30)	1-3/16" (30)	4-7/8" (124)	75
GEJLT-6	GEJLT-6M	2"	6-1/4" (159)	4-3/8" (111)	4-7/8" (124)	3-9/16" (87)	1-1/2" (38)	1-3/16" (30)	4-7/8" (124)	75

* For GROUP B applications, contact factory.

Ⓞ 1/2", 3/4" and 1" GEC Bodies Listed and Certified for:
Class I, Div. 1 & 2, Groups B, C, D
Class I, Zones 1 & 2, Groups IIB + H₂
Class II, Div. 1 & 2, Groups E, F, G
Class III
Type 4X (NEMA)

For ATEX and IEC Ex certified
GE Outlet Bodies, contact factory



FITTINGS

ALUMINUM AND IRON OUTLET BODIES



GEC
T Type



GES
X Type



GEJ
LB Type

- 1/2", 3/4" and 1" Bodies^①
Class I, Div. 1 & 2, Groups C & D
Class I, Zone 1, Groups IIB, IIA
- 1-1/4", 1-1/2", and 2" Bodies
Class I, Div. 1 & 2, Group D
Class I, Zone 1, Group IIA
- Class II, Div. 1 & 2, Groups E, F, G
- Class III
- For GEJ Series CSA applications for Class I
Group C, seal conduit within 18 inches

UL LISTED File No. E 10514

SP Certified File No. LR11716

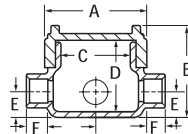
FEATURES-SPECIFICATIONS

See page F51 for Standard Materials & Finish

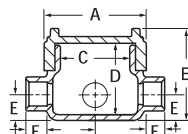
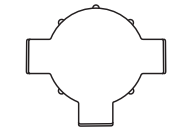
Applicable Third Party Standards

UL Standards: 886 and 1203
CSA Standard: C22.2 No. 30
Fed Spec: W-C-586D
Mil Spec: F-28675

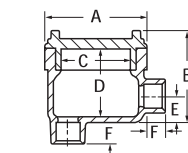
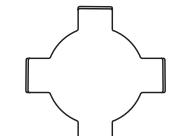
Dimensions



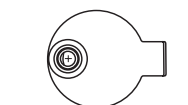
T Type



X Type



LB Type



For ATEX and IEC Ex certified GE Outlet Bodies, contact factory

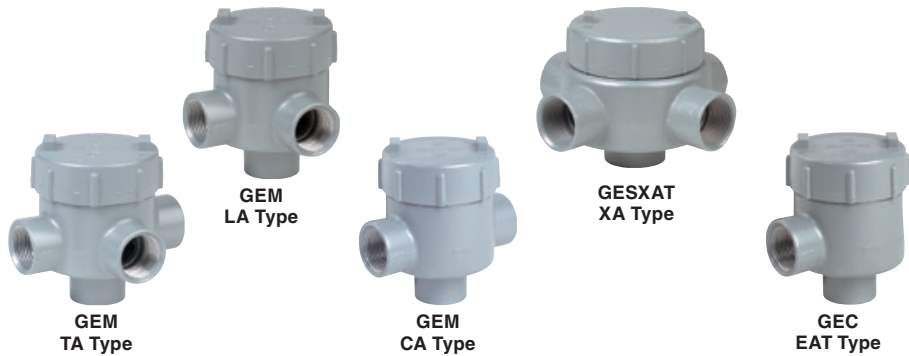
- ① 1/2", 3/4" and 1" GEC Bodies
Listed and Certified for:
Class I, Div. 1 & 2, Groups B, C, D
Class I, Zones 1 & 2, Groups IIB + H₂
Class II, Div. 1 & 2, Groups E, F, G
Class III
Type 4X (NEMA)

CATALOG NUMBER		HUB SIZE	DIMENSIONS						COVER OPENINGS	VOLUME CU. IN.
KILLARK ALUM.	DURALOY IRON		A	B	C	D	E	F		
GEMT-1	—	1/2"	2-13/16" (56)	3" (76)	2-1/16" (52)	2-5/16" (59)	11/16" (17)	13/16" (21)	2-1/16" (52)	8
GEMT-2	—	3/4"	2-13/16" (56)	3" (76)	2-1/16" (52)	2-5/16" (59)	11/16" (17)	13/16" (21)	2-1/16" (52)	8
GECTT-1	GECTT-1M	1/2"	3-11/16" (93)	3-5/8" (92)	2-11/16" (68)	2-3/4" (70)	1" (25)	13/16" (21)	2-11/16" (68)	19
GECTT-2	GECTT-2M	3/4"	3-11/16" (93)	3-5/8" (92)	2-11/16" (68)	2-3/4" (70)	1" (25)	13/16" (21)	2-11/16" (68)	19
GECTT-3	GECTT-3M	1"	3-11/16" (93)	3-5/8" (92)	2-11/16" (68)	2-3/4" (70)	1" (25)	13/16" (21)	2-11/16" (68)	19
GESTT-3	GESTT-3M	1"	5-1/16" (129)	4-1/8" (105)	3-9/16" (90)	3-7/16" (87)	1-1/16" (27)	1-1/8" (29)	3-9/16" (90)	42
GESTT-4	GESTT-4M	1-1/4"	5-1/16" (129)	4-1/8" (105)	3-9/16" (90)	3-7/16" (87)	1-1/16" (27)	1-1/8" (29)	3-9/16" (90)	42
GEJTT-5	GEJTT-5M	1-1/2"	6-1/4" (159)	4-3/8" (111)	4-7/8" (124)	3-9/16" (90)	1-3/16" (30)	1-3/16" (30)	4-7/8" (124)	75
GEJTT-6	GEJTT-6M	2"	6-1/4" (159)	4-3/8" (111)	4-7/8" (124)	3-9/16" (90)	1-1/2" (38)	1-3/16" (30)	4-7/8" (124)	75
X TYPE OUTLET BODY*										
GEMX-1	—	1/2"	2-13/16" (56)	3" (76)	2-1/16" (52)	2-5/16" (59)	11/16" (17)	13/16" (21)	2-1/16" (52)	8
GEMX-2	—	3/4"	2-13/16" (56)	3" (76)	2-1/16" (52)	2-5/16" (59)	11/16" (17)	13/16" (21)	2-1/16" (52)	8
GECXT-1	GECXT-1M	1/2"	3-11/16" (93)	3-5/8" (92)	2-11/16" (68)	2-3/4" (70)	1" (25)	13/16" (21)	2-11/16" (68)	19
GECXT-2	GECXT-2M	3/4"	3-11/16" (93)	3-5/8" (92)	2-11/16" (68)	2-3/4" (70)	1" (25)	13/16" (21)	2-11/16" (68)	19
GECXT-3	GECXT-3M	1"	3-11/16" (93)	3-5/8" (92)	2-11/16" (68)	2-3/4" (70)	1" (25)	13/16" (21)	2-11/16" (68)	19
GESXT-3	GESXT-3M	1"	5-1/16" (129)	4-1/8" (105)	3-9/16" (90)	3-7/16" (87)	1-1/16" (27)	1-1/8" (29)	3-9/16" (90)	42
GESXT-4	GESXT-4M	1-1/4"	5-1/16" (129)	4-1/8" (105)	3-9/16" (90)	3-7/16" (87)	1-1/16" (27)	1-1/8" (29)	3-9/16" (90)	42
GEJXT-5	GEJXT-5M	1-1/2"	6-1/4" (159)	4-3/8" (111)	4-7/8" (124)	3-9/16" (90)	1-1/2" (38)	1-3/16" (30)	4-7/8" (124)	75
GEJXT-6	GEJXT-6M	2"	6-1/4" (159)	4-3/8" (111)	4-7/8" (124)	3-9/16" (90)	1-1/2" (38)	1-3/16" (30)	4-7/8" (124)	75
LB TYPE OUTLET BODY*										
GEMLB-1	—	1/2"	2-13/16" (56)	3" (76)	2-1/16" (52)	2-5/16" (59)	11/16" (17)	13/16" (21)	2-1/16" (52)	8
GEMLB-2	—	3/4"	2-13/16" (56)	3" (76)	2-1/16" (52)	2-5/16" (59)	11/16" (17)	13/16" (21)	2-1/16" (52)	8
GECGBT-1	GECGBT-1M	1/2"	3-11/16" (93)	3-5/8" (92)	2-11/16" (68)	2-3/4" (70)	1" (25)	13/16" (21)	2-11/16" (68)	19
GECGBT-2	GECGBT-2M	3/4"	3-11/16" (93)	3-5/8" (92)	2-11/16" (68)	2-3/4" (70)	1" (25)	13/16" (21)	2-11/16" (68)	19
GECGBT-3	GECGBT-3M	1"	3-11/16" (93)	3-5/8" (92)	2-11/16" (68)	2-3/4" (70)	1" (25)	13/16" (21)	2-11/16" (68)	19
GESGBT-3	GESGBT-3M	1"	5-1/16" (129)	4-1/8" (105)	3-9/16" (90)	3-7/16" (87)	1-1/16" (27)	1-1/8" (29)	3-9/16" (90)	42
GESGBT-4	GESGBT-4M	1-1/4"	5-1/16" (129)	4-1/8" (105)	3-9/16" (90)	3-7/16" (87)	1-1/16" (27)	1-1/8" (29)	3-9/16" (90)	42
GEJGBT-5	GEJGBT-5M	1-1/2"	6-1/4" (159)	4-3/8" (111)	4-7/8" (124)	3-9/16" (90)	1-1/2" (38)	1-3/16" (30)	4-7/8" (124)	75
GEJGBT-6	GEJGBT-6M	2"	6-1/4" (159)	4-3/8" (111)	4-7/8" (124)	3-9/16" (90)	1-1/2" (38)	1-3/16" (30)	4-7/8" (124)	75

* For GROUP B applications, contact factory.



ALUMINUM AND IRON OUTLET BODIES



- 1/2", 3/4" and 1" Bodies[Ⓞ]
Class I, Div. 1 & 2, Groups C & D
Class I, Zone 1, Groups IIB, IIA
- 1-1/4", 1-1/2", and 2" Bodies
Class I, Div. 1 & 2, Group D
Class I, Zone 1, Group IIA
- Class II, Div. 1 & 2, Groups E, F, G
- Class III
- For GEJ Series CSA applications for Class I Group C, seal conduit within 18 inches

UL LISTED File No. E 10514

SP Certified File No. LR11716

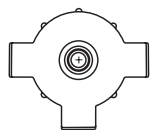
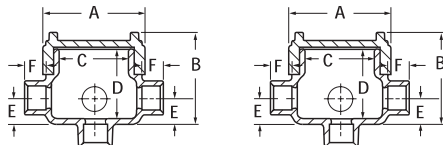
FEATURES-SPECIFICATIONS

See page F53 for Standard Materials & Finish

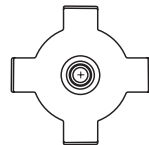
Applicable Third Party Standards

UL Standards: 886 and 1203
CSA Standard: C22.2 No. 30
Fed Spec: W-C-586D
Mil Spec: F-28675

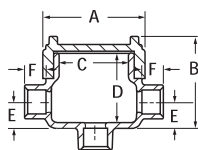
Dimensions



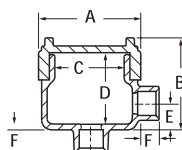
TAT Type



XAT Type



CAT Type



EAT Type

LA TYPE OUTLET BODY*										
CATALOG NUMBER		HUB SIZE	DIMENSIONS						COVER OPENINGS	VOLUME CU. IN.
KILLARK ALUM.	DURALOY IRON		A	B	C	D	E	F		
GEMLA-1	—	1/2"	2-13/16" (56)	3" (76)	2-1/16" (52)	2-5/16" (59)	11/16" (17)	13/16" (21)	2-1/16" (52)	8
GEMLA-2	—	3/4"	2-13/16" (56)	3" (76)	2-1/16" (52)	2-5/16" (59)	11/16" (17)	13/16" (21)	2-1/16" (52)	8

TAT TYPE OUTLET BODY*										
CATALOG NUMBER		HUB SIZE	DIMENSIONS						COVER OPENINGS	VOLUME CU. IN.
KILLARK ALUM.	DURALOY IRON		A	B	C	D	E	F		
GEMTA-1	—	1/2"	2-13/16" (56)	3" (76)	2-1/16" (52)	2-5/16" (59)	11/16" (17)	13/16" (21)	2-1/16" (52)	8
GEMTA-2	—	3/4"	2-13/16" (56)	3" (76)	2-1/16" (52)	2-5/16" (59)	11/16" (17)	13/16" (21)	2-1/16" (52)	8
GECTAT-2	GECTAT-2M	3/4"	3-11/16" (94)	3-5/8" (92)	2-11/16" (68)	2-3/4" (70)	1" (25)	13/16" (21)	2-11/16" (68)	19

XAT TYPE OUTLET BODY*										
CATALOG NUMBER		HUB SIZE	DIMENSIONS						COVER OPENINGS	VOLUME CU. IN.
KILLARK ALUM.	DURALOY IRON		A	B	C	D	E	F		
GECXAT-1	GECXAT-1M	1/2"	3-11/16" (94)	3-5/8" (92)	2-11/16" (68)	2-3/4" (70)	1" (25)	13/16" (21)	2-11/16" (68)	19
GECXAT-2	GECXAT-2M	3/4"	3-11/16" (94)	3-5/8" (92)	2-11/16" (68)	2-3/4" (70)	1" (25)	13/16" (21)	2-11/16" (68)	19
GECXAT-3	GECXAT-3M	1"	3-11/16" (94)	3-5/8" (92)	2-11/16" (68)	2-3/4" (70)	1" (25)	13/16" (21)	2-11/16" (68)	19
GESXAT-4	GESXAT-4M	1-1/4"	5-11/16" (128)	4-1/8" (105)	3-9/16" (90)	3-7/16" (87)	1-1/16" (27)	1-3/16" (30)	3-9/16" (90)	42

CAT TYPE OUTLET BODY*										
CATALOG NUMBER		HUB SIZE	DIMENSIONS						COVER OPENINGS	VOLUME CU. IN.
KILLARK ALUM.	DURALOY IRON		A	B	C	D	E	F		
GEMCA-1	—	1/2"	2-13/16" (56)	3" (76)	2-1/16" (52)	2-5/16" (59)	11/16" (17)	13/16" (21)	2-1/16" (52)	8
GEMCA-2	—	3/4"	2-13/16" (56)	3" (76)	2-1/16" (52)	2-5/16" (59)	11/16" (17)	1-3/16" (30)	2-1/16" (52)	8
GECCAT-1	GECCAT-1M	1"	3-11/16" (94)	3-5/8" (92)	2-11/16" (68)	2-3/4" (70)	1" (25)	13/16" (21)	2-11/16" (68)	19
GESCAT-4	GESCAT-4M	1-1/4"	5-11/16" (144)	4-1/8" (105)	3-9/16" (90)	3-7/16" (87)	1-1/16" (27)	1-3/16" (30)	3-9/16" (90)	42

EAT TYPE OUTLET BODY*										
CATALOG NUMBER		HUB SIZE	DIMENSIONS						COVER OPENINGS	VOLUME CU. IN.
KILLARK ALUM.	DURALOY IRON		A	B	C	D	E	F		
GECEAT-2	GECEAT-2M	3/4"	3-11/16" (94)	3-5/8" (92)	2-11/16" (68)	2-3/4" (70)	1" (25)	13/16" (21)	2-11/16" (68)	19

* For GROUP B applications, contact factory.

Ⓞ 1/2", 3/4" and 1" GEC Bodies Listed and Certified for:
Class I, Div. 1 & 2, Groups B, C, D
Class I, Zones 1 & 2, Groups IIB + H₂
Class II, Div. 1 & 2, Groups E, F, G
Class III
Type 4X (NEMA)

For ATEX and IEC Ex certified GE Outlet Bodies, contact factory



FITTINGS

OUTLET BODIES WITH MOUNTING FLANGE



GECXTF
XTF Type Outlet Body
With Mounting Flange



GECUET-2
Outlet Body



GEUEAT-2
Outlet Body



GECUWT-2
Outlet Body

- 1/2", 3/4" and 1" Bodies^①
Class I, Div. 1 & 2, Groups C, D
Class I, Zone 1, Groups IIB, IIA
Class II, Div. 1 & 2, Groups E, F, G
Class III

UL LISTED File No. E 10514

SP® Certified File No. LR11716

FEATURES-SPECIFICATIONS

See page F53 for Standard Materials & Features

Applicable Third Party Standards

UL Standards: 886 and 1203
CSA Standard: C22.2 No. 30
Fed Spec: W-C-586D
Mil Spec: F-28675

Material/Finish

Aluminum

- **BODY** Copper-free aluminum (less than 4/10 of 1%)
- **FINISH** Electrostatically applied powder coating
- **COVER** (Aluminum) Copper-free aluminum (less than 4/10 of 1%). Electrostatically applied powder coating

Iron

- **BODY** Duraloy iron alloy
- **FINISH** Tri-Coat Finish of Electro zinc, Chromate Sealant, and electrostatically applied powder coating
- **COVER** (Aluminum) Copper-free aluminum (less than 4/10 of 1%). Electrostatically applied powder coating

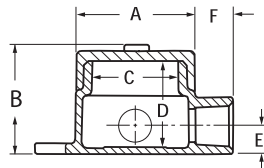
Size Ranges:

- Hub – 3/4" standard
 optional 1/2" to 1" contact factory
- Cover opening – 2-11/16" or 2-1/16"

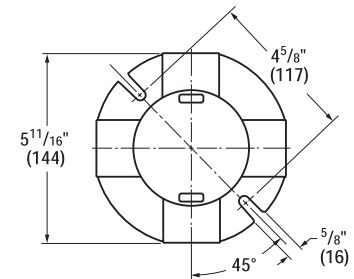
For ATEX and IEC Ex certified GEC Outlet Bodies, contact factory

① 1/2", 3/4" and 1" GEC Bodies Listed and Certified for:
Class I, Div. 1 & 2, Groups B, C, D
Class I, Zones 1 & 2, Groups IIB + H₂
Class II, Div. 1 & 2, Groups E, F, G
Class III
Type 4X (NEMA)

XTF TYPE OUTLET BODY*										
CATALOG NUMBER		HUB SIZE	DIMENSIONS						COVER OPENINGS	VOLUME CU. IN.
KILLARK ALUM.	DURALOY IRON		A	B	C	D	E	F		
GECXTF-1	GECXTF-1M	1/2"	3-11/16" (94)	3-5/8" (92)	2-11/16" (68)	2-3/4" (70)	1" (25)	13/16" (21)	2-11/16" (68)	19
GECXTF-2	GECXTF-2M	3/4"	3-11/16" (94)	3-5/8" (92)	2-11/16" (68)	2-3/4" (70)	1" (25)	13/16" (21)	2-11/16" (68)	19
GECXTF-3	GECXTF-3M	1"	3-11/16" (94)	3-5/8" (92)	2-11/16" (68)	2-3/4" (70)	1" (25)	13/16" (21)	2-11/16" (68)	19

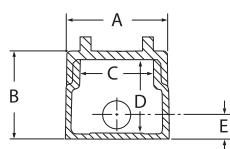
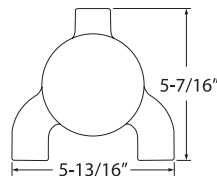


XTF Type
With Mounting Flange

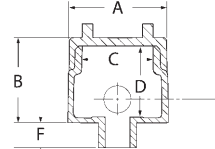
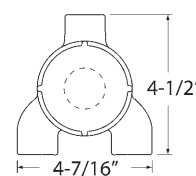


GE TYPE OUTLET BODY*										
GECUET-2	GECUET-2M	3/4"	3-11/16" (94)	3-5/8" (92)	2-11/16" (68)	2-3/4" (70)	1" (25)	13/16" (21)	2-11/16" (68)	19
GEUEAT-2	GEUEAT-2M	3/4"	2-13/16" (56)	3" (76)	2-1/16" (52)	2-1/8" (54)	1" (25)	13/16" (21)	2-1/16" (52)	11
GECUWT-2	GECUWT-2M	3/4"	3-11/16" (94)	3-5/8" (92)	2-11/16" (68)	2-3/4" (70)	1" (25)	13/16" (21)	2-11/16" (68)	19

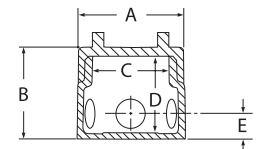
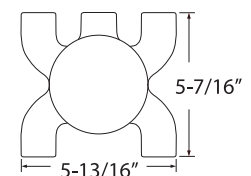
* For GROUP B applications, contact factory.



GECUET-2
Outlet Body



GEUEAT-2
Outlet Body



GECUWT-2
Outlet Body



OUTLET BODIES ACCESSORIES



GECBC
Blank Cover



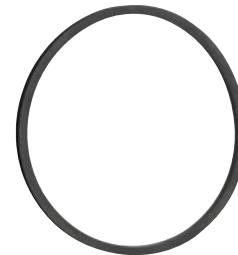
4GOU
Dome Cover



GL-375
Lens Cover



GECEY
Sealing Cover



GEC-RG
Gasket

FEATURES-SPECIFICATIONS

Material/Finish

- Copper-free aluminum (less than 4/10 of 1%)
- Electrostatically applied powder coating
- Blank covers are supplied standard on all GE Series bodies
- Dome covers provide additional wiring room for splicing or accommodating components
- Clear cover lens for viewing
- Sealing cover used to convert body into sealing fitting
- Rubber gasket fits between cover and body to make assembly watertight
- Complies with NEMA 4

BLANK COVER	
CATALOG NUMBER	SERIES
GEMBC	GEM
GECBC*	GEC marked groups C, D
GECBCB	GEC marked groups B, C, D, Type 4X
GESBC	GES
GRM-BC	GEJ

* Available also in iron GECBCM

DOME COVER		
CATALOG NUMBER	SERIES	VOLUME CUBIC INCH
2GOU	GEC	13.3
4GOU	GEC	47.0
3GRMD	GEJ	55.0
5GRMD	GEJ	80.0

LENS COVER	
CATALOG NUMBER	SERIES
GL-375	GEJ

SEALING COVER	
CATALOG NUMBER	SERIES
GEMEY [Ⓞ]	GEM
GECEY [Ⓞ]	GEC
GESEY [Ⓞ]	GES
GEJEY [Ⓞ]	GEJ

[Ⓞ] Sealing Covers CSA only.

Since all Series GE boxes are listed with a blank cover, deduct the price of blank cover and add the price of the desired cover. Outlet bodies listed on preceding page.

GASKET	
CATALOG NUMBER	SERIES
GEM-RG	GEM
GEC-RG	GEC Flat
GEC-ORG	GEC O-Ring
GES-RG	GES
GRM-RG	GEJ



FITTINGS

ALUMINUM AND IRON OUTLET BODIES



GRUE-75A



Class I, Div. 1 & 2, Groups B, C, D
 Class I, Zone I, Groups IIC, IIB, IIA
 Class II, Div. 1 & 2, Groups E, F, G
 Class III
NEMA 4X



ATEX/IEC Ex Pending

FEATURES-SPECIFICATIONS

Applications

GRUE Series conduit boxes are installed in conduit systems within hazardous areas to:

- Protect conductors in threaded rigid conduit
- Act as pull and splice boxes
- Interconnect lengths of conduit
- Change conduit direction
- Provide access to conductors for maintenance and future system changes

Features

- Smooth, rounded integral bushing in each hub protects conductor insulation
- Cast in mounting lugs
- Green ground screw
- Cover and gasket furnished with box as standard
- 5 threaded hub locations includes 3 close-up plugs
- External threaded body provides additional wiring room
- Optional drilled and tapped metric threads – contact factory

Size Ranges

- Hub – 1/2", 3/4", 1"
- Cover opening – 3-1/2"

Material/Finish

Aluminum

- **BODY** Copper-free aluminum (less than 4/10 of 1%)
- **FINISH** Electrostatically applied powder coating
- **COVER** (Aluminum) Copper-free aluminum (less than 4/10 of 1%). Electrostatically applied powder coating

Iron

- **BODY** Duraloy iron alloy
- **FINISH** Tri-coat finish of electrozinc, chromate sealant, and electrostatically applied powder coating
- **COVER** (Aluminum) Copper-free aluminum (less than 4/10 of 1%). Electrostatically applied powder coating

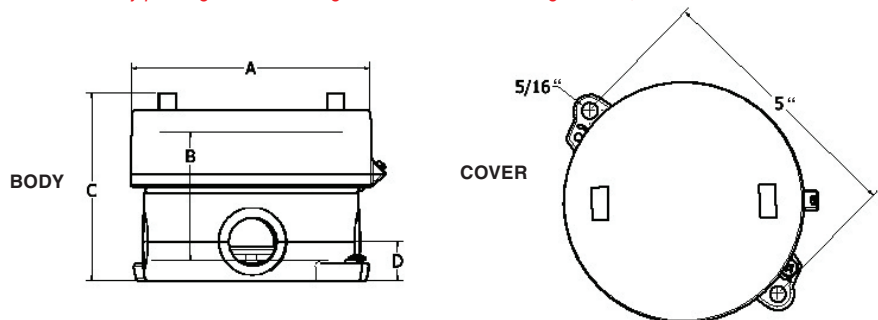
GRUE TYPE OUTLET BODY – ALUMINUM							
CATALOG NUMBER	HUB SIZE	DIMENSIONS				COVER OPENING	VOLUME CU. IN.
		A	B	C	D		
GRUE-50A	1/2"	4-1/2" (114)	2-3/8" (60)	3-1/2" (89)	11/16" (17)	3-1/2" (89)	25
GRUE-75A	3/4"	4-1/2" (114)	2-3/8" (60)	3-1/2" (89)	11/16" (17)	3-1/2" (89)	25
GRUE-100A	1"	4-1/2" (114)	2-3/8" (60)	3-1/2" (89)	15/16" (24)	3-1/2" (89)	25
GRUC-SCA	N/A	SEALING COVER				N/A	N/A

* For outlet body packaged with sealing cover add SC to catalog number, GRUE-50A-SC

GRUE TYPE OUTLET BODY – DURALOY IRON							
CATALOG NUMBER	HUB SIZE	DIMENSIONS				COVER OPENING	VOLUME CU. IN.
		A	B	C	D		
GRUE-50	1/2"	4-1/2" (114)	2-3/8" (60)	3-1/2" (89)	11/16" (17)	3-1/2" (89)	25
GRUE-75	3/4"	4-1/2" (114)	2-3/8" (60)	3-1/2" (89)	11/16" (17)	3-1/2" (89)	25
GRUE-100	1"	4-1/2" (114)	2-3/8" (60)	3-1/2" (89)	15/16" (24)	3-1/2" (89)	25
GRUC-SC	N/A	SEALING COVER				N/A	N/A

* For outlet body packaged with sealing cover add SC to catalog number, GRUE-50SC

For ATEX and IEC Ex certified GRUE fittings, contact factory.





OUTLET BODIES



GRSA



GRR



GRCEX-0
(For GRR & GRSS only)

Class I, Div. 1 & 2, Groups C, D
Class II, Div. 1 & 2, Groups E, F, G
Class III

UL LISTED - File E10514

SP Certified - File LR11716
See files for details or call Killark.

FEATURES-SPECIFICATIONS

GRSA

Features

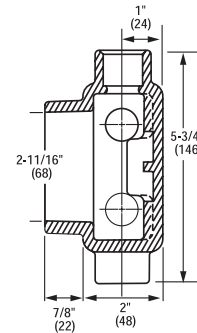
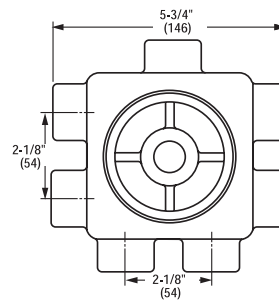
- Cast conduit hubs with integral bushings
- Cover included
- Replacement cover catalog number GECBC
- Five close-up plugs included
- Sealing, hub, dome covers and gaskets available (page F58)

Material/Finish

- Copper-free aluminum (less than 4/10 of 1%)
- Electrostatically applied powder coating

GRSA W/BLANK COVER		
CATALOG NUMBER	HUBS	VOLUME CU. IN.
GRSA	Furnished with eight 3/4" hubs including one 3/4" flush hub in back center	26.5

Dimensions



GRR

Features

- Cast conduit hubs with integral bushings
- Blank cover included
- Replacement cover catalog number GRRBC
- Compact size
- Supplied with five hubs and three close-up plugs

Material/Finish

- Copper-free aluminum (less than 4/10 of 1%)
- Electrostatically applied powder coating

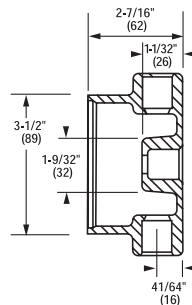
GRR W/ BLANK COVER		
CATALOG NUMBER	HUB SIZE	VOLUME CU. IN.
GRR-1	1/2"	13.0
GRR-2	3/4"	13.0
GRR-3	1"	14.0

Blank Cover-only-GRRBC

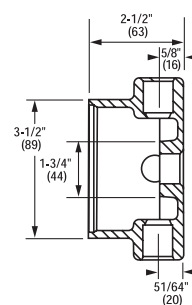
GASKET (RUBBER)
CATALOG NUMBER
GEC-RG

EXTENSION*
CATALOG NUMBER
GRCEX-0

* Adds 2-7/8" to body depth and 16.48 cu. in.



GRR 1 & 2



GRR-3



FITTINGS

OUTLET BODIES



Class I, Div. 1 & 2, Groups C, D
Class II, Div. 1 & 2, Groups E, F, G
Class III

UL LISTED - File E10514

SP Certified - File LR11716
See files for details or call Killark.

FEATURES-SPECIFICATIONS

GRSS/GRSSA

Features

- Internal hubs
- Blank cover included (Cat. No. GRRBC)
- Compact design and multiple hub configurations
- Furnished with internal ground screw
- Cast-in brackets on cover for use with breaker-bar tools

GRSS TYPE

Furnished with seven internal hubs, two hubs are on the top and bottom, one each on the two sides and one hub in the back. Four close-up plugs supplied. Series GUM unions can be used.

Note: for mounting lugs on GRSS series, contact factory.

- Mounting lug slot 7/16"

GRSSA TYPE

Furnished with 13 hubs, two on each side and five in back. Five close-up plugs are supplied.

Material/Finish – Aluminum Body

- Copper-free aluminum (less than 4/10 of 1%)
- Electrostatically applied powder coating

Material/Finish – Duraloy Iron Body

- Duraloy iron alloy
- Tri-Coat finish of Electro zinc, Chromate Sealant and electrostatically applied powder coating

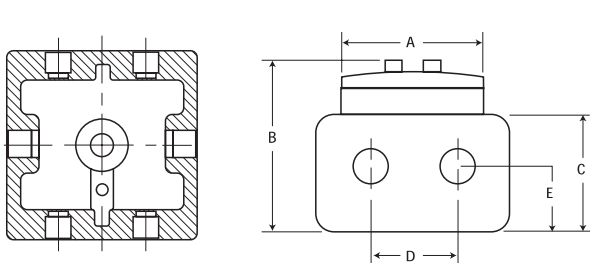
Material/Finish – GR Series Cover

- Copper-free aluminum (less than 4/10 of 1%)
- Electrostatically applied powder coating

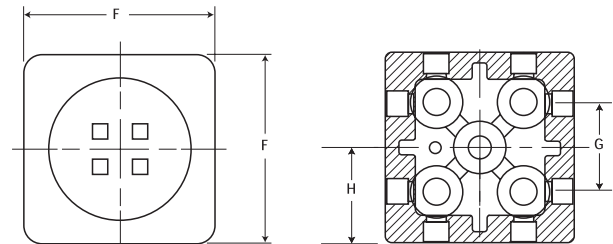
GRSS				
KILLARK ALUM.	DURALOY IRON	HUB SIZE	NUMBER OF OPENINGS	NUMBER OF CLOSE-UP PLUGS FURNISHED
GRSS-1	GRSS-1M	1/2"	7	4
GRSS-2	GRSS-2M	3/4"	7	4
GRSS-3	GRSS-3M	1"	7	4
GRSS WITH LUGS				
GRSS-1L	-	1/2"	7	4
GRSS-2L	-	3/4"	7	4
GRSS-3L	-	1"	7	4
GRSSA				
GRSSA-1	-	1/2"	13	5
GRSSA-2	-	3/4"	13	5

GASKET (RUBBER)		EXTENSION*	
CATALOG NUMBER		CATALOG NUMBER	
GEC-RG		GRCEX-0	

* Adds 2-7/8" to bod depth and 16.48 cu. in.



GRSS Dimensions

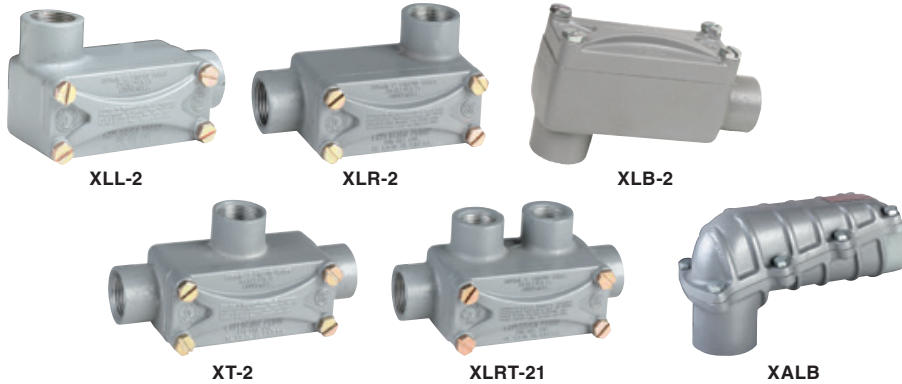


GRSSA Dimensions

GRSS/GRSSA DIMENSIONS													
CATALOG NUMBER	HUB SIZE	NO. OF OPENINGS	CLOSE-UP PLUGS FURNISHED	DIMENSIONS IN INCHES								COVER OPENINGS	VOLUME CU. IN.
				A	B	C	D	E	F	G	H		
GRSS-1	1/2"	7	4	3-1/2"	3-1/2"	2-3/8"	2-1/8"	1-3/16"	4-5/8"	N/A	1-1/4"	3-1/8"	29
GRSS-2	3/4"	7	4	3-1/2"	3-1/2"	2-3/8"	2-1/8"	1-3/16"	4-5/8"	N/A	1-1/4"	3-1/8"	29
GRSS-3	1"	7	4	3-1/2"	3-1/2"	2-3/8"	2-1/8"	1-3/16"	4-5/8"	N/A	1-1/4"	3-1/8"	29
GRSSA-1	1/2"	13	5	3-1/2"	3-1/2"	2-3/8"	2-1/8"	1-3/16"	4-5/8"	2-1/8"	1-1/4"	3-1/8"	20
GRSSA-2	3/4"	13	5	3-1/2"	3-1/2"	2-3/8"	2-1/8"	1-3/16"	4-5/8"	2-1/8"	1-1/4"	3-1/8"	20



CONDUIT BODIES



X Series
 Class I, Div. 1 & 2, Groups C, D
 Class II, Div. 1 & 2, Groups E, F, G
 Class III

XALB Series
 Class I, Div. 1 & 2, Group D
 Class II, Div. 1 & 2, Groups E, F, G
 Class III

LISTED - File E10514
 Certified - File LR11716
 See files for details or call Killark.

FEATURES-SPECIFICATIONS

X

Features

- Integral bushings
- Easy access covers
- Six hub styles
- Sizes 1/2", 3/4", 1"

Material/Finish

- Copper-free aluminum (less than 4/10 of 1%)
- Electrostatically applied powder coating

ⓧ X Series 1" hub size suitable for Class I, Group D

X DIMENSIONS								
	CATALOG NUMBER	HUB SIZE	A LENGTH	B WIDTH	C HEIGHT	D	E	VOLUME CU. IN.
	XC-1	1/2"	5-9/16"	1-17/32"	2-1/8"	5/8"	—	4.3
	XC-2	3/4"	5-13/16"	1-3/4"	2-1/4"	11/16"	—	6.5
	XC-3	1" ⓧ	6-1/16"	2-3/8"	2-1/2"	7/8"	—	11.5
	XLL-1	1/2"	4-5/8"	2-7/16"	2-1/8"	5/8"	3/4"	4.3
	XLL-2	3/4"	4-29/32"	2-5/8"	2-1/4"	11/16"	7/8"	6.5
	XLL-3	1" ⓧ	5-9/16"	3-1/2"	2-1/2"	7/8"	7/8"	11.5
	XLB-1	1/2"	4-5/8"	1-17/32"	2-15/16"	5/8"	3/4"	4.3
	XLB-2	3/4"	4-29/32"	1-3/4"	3-1/8"	11/16"	11/16"	6.5
	XLB-3	1" ⓧ	5-17/32"	2-3/8"	3-5/8"	7/8"	7/8"	11.5
	XLR-1	1/2"	4-5/8"	2-7/16"	2-1/8"	5/8"	3/4"	4.3
	XLR-2	3/4"	4-29/32"	2-5/8"	2-1/4"	11/16"	7/8"	6.5
	XLR-3	1" ⓧ	5-9/16"	3-1/2"	2-1/2"	7/8"	7/8"	11.5
	XT-1	1/2"	5-9/16"	2-7/16"	2-1/8"	5/8"	—	4.3
	XT-2	3/4"	5-13/16"	2-5/8"	2-1/4"	11/16"	—	6.5
	XT-3	1" ⓧ	6-11/16"	3-1/2"	2-1/2"	7/8"	—	11.5
	XLRT-21	3/4" Ends 1/2" Side	5-3/4"	2-21/32"	2-1/2"	11/16"	—	7
	XLRT-22	3/4" End 3/4" Side	5-3/4"	2-21/32"	2-1/2"	11/16"	—	7

XALB

Applications

Designed to permit straight pulls of heavy cable.

Features

- Integral bushings
- Easy access covers
- Sizes 1-1/4" thru 3"

Material/Finish

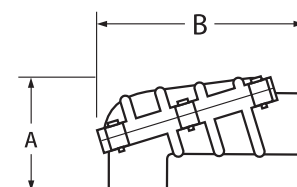
- Copper-free aluminum (less than 4/10 of 1%)
- Electrostatically applied powder coating

ⓧ X Series 1" hub size suitable for Class 1, Group D

XALB CONDUIT BODIES		
CATALOG NUMBER	HUB SIZE	VOLUME CU. IN.
XALB-4	1-1/4"	27
XALB-5	1-1/2"	27
XALB-6	2"	70
XALB-7	2-1/2"	>100
XALB-8	3"	>100

XALB Series suitable for Class 1, Group D only.

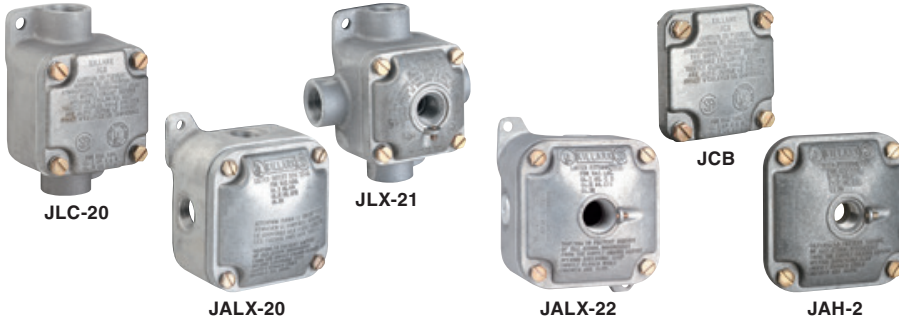
XALB DIMENSIONS			
CONDUIT SIZE	A OVERALL DEPTH	B LENGTH OF BODY	WIDTH OF BODY
1-1/4"	4-1/16"(103)	7-3/4"(197)	3-15/16"(100)
1-1/2"	4-1/16"(103)	7-3/4"(197)	3-15/16"(100)
2"	5-7/8"(149)	11-1/8"(282)	4-3/4"(121)
2-1/2"	8-1/4"(209)	17-1/2"(444)	6-7/16"(163)
3"	8-1/4"(209)	17-1/2"(444)	6-7/16"(163)





FITTINGS

OUTLET BODIES



Class I, Div. 1 & 2, Groups C, D
Class II, Div. 1 & 2, Groups E, F, G
Class III

UL LISTED - File E10514

SP Certified - File LR11716
See files for details or call Killark.

FEATURES-SPECIFICATIONS

Applications

To provide access to conductors for pulling, splicing, and maintenance. May be used as a fixture hanger.

Features

- Option of blank or hub covers
- Cast mounting lugs
- Large wiring area
- Furnished with internal ground screw
- Hub covers include set screws for locking to lighting fixture stems
- JL – Cast external hubs with integral bushings
- JAL – Four drilled and tapped conduit openings in an “x” configuration (three, close-up plugs included to allow five variations from one body)
- Option of blank or hub covers

Material/Finish

- Copper-free aluminum (less than 4/10 of 1%)
- Natural Finish

JL OUTLET BODIES WITH COVER					
CATALOG NUMBER		BOX TYPE	CONDUIT SIZE		BOX ONLY VOL. CU. IN.
WITH BLANK COVER	WITH HUB COVER		BOX ^①	COVER	
JLC-10	JLC-11	C	1/2"	1/2"	12.5
—	JLC-12	C	1/2"	3/4"	12.5
JLC-20	JLC-21	C	3/4"	1/2"	12.5
—	JLC-22	C	3/4"	3/4"	12.5
JLX-10	JLX-11	X	1/2"	1/2"	12.5
—	JLX-12	X	1/2"	3/4"	12.5
JLX-20	JLX-21	X	3/4"	1/2"	12.5
—	JLX-22	X	3/4"	3/4"	12.5

① To order box only omit last digit of catalog number.

JAL OUTLET BODIES WITH COVER					
CATALOG NUMBER		TYPE	CONDUIT SIZE		BOX ONLY VOL. CU. IN.
WITH BLANK COVER	WITH HUB COVER		BOX ^①	COVER	
JALX-10	JALX-11	X	1/2"	1/2"	26.5
—	JALX-12	X	1/2"	3/4"	26.5
JALX-20	JALX-21	X	3/4"	1/2"	26.5
—	JALX-22	X	3/4"	3/4"	26.5
JALX-30	JALX-31	X	1"	1/2"	26.5
—	JALX-32	X	1"	3/4"	26.5
JALX-40	—	X	1-1/4" ^②	1/2"	39

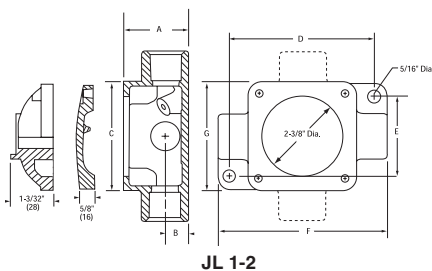
① To order box only omit last digit of catalog number.

② 1-1/4" for Class I, Group D.

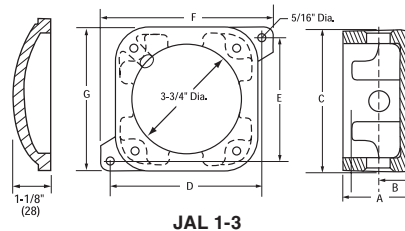
REPLACEMENT HUB COVER				
CATALOG NUMBER	SERIES	HUB SIZE	DEPTH	VOLUME CU. IN.
JH-1	JL	1/2"	1-3/32"	1.5
JH-2	JL	3/4"	1-3/32"	1.5
JAH-1	JAL	1/2"	1-1/8"	6.5
JAH-2	JAL	3/4"	1-1/8"	6.5

REPLACEMENT BLANK COVER			
CATALOG NUMBER	SERIES	DEPTH	VOLUME CU. IN.
JCB	JL	5/8"	1.0
JABC	JAL	1-1/8"	7.5

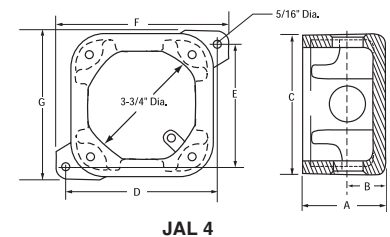
DIMENSIONS							
SERIES	A	B	C	D	E	F	G
JL 1/2", 3/4"	1-15/16"	11/16"	3-1/4"	4-7/32"	2-3/8"	5-1/8"	3-1/4"
JAL 1/2", 3/4", 1"	2-3/8"	1-5/32"	4-3/4"	5-1/4"	4-1/8"	5-7/8"	4-3/4"
JAL 1-1/4"	3-3/16"	1-17/32"	4-5/8"	5-1/4"	4-1/8"	5-7/8"	4-13/16"



JL 1-2



JAL 1-3



JAL 4



UNIONS



- GUF/GUM/UNF/UNY 1/2", 3/4", & 1" Class I, Div. 1 & 2, Groups A,B,C,D Class I, Zone 1, IIC, IIB, IIA Class I, Zone 1, Groups IIC, IIB, IIA Class II, Div. 1 & 2, Groups E,F,G Class III
- GUF/GUM/UNF/UNY 1-1/4" through 4" Class I, Div. 1 & 2, Groups C,D Class I, Zone 1, IIB, IIA Class I, Zone 1, Groups IIB, IIA Class II, Div. 1 & 2, Groups E,F,G Class III

UL LISTED File No. E 10514

SP Certified File No. LR11716

FEATURES-SPECIFICATIONS

Applications

- GUF/GUM or UNF/UNY unions are used to connect two pieces of conduit or attach conduit to junction boxes, fittings, or devices
- Permits removal of equipment without turning or removal of conduit

Features

- Threaded for rigid conduit or IMC
- Tapered threads (NPT)
- Strong and durable construction

Material/Finish

Copper-free Aluminum
(less than 4/10 of 1%)

- Natural Finish
- 1/2" - 2" screw machine
- 2-1/2" - 4" cast

Iron - 1-1/4" - 4"

Steel - 1/2", 3/4", 1"

- Zinc electro-plate

Third-Party Standards

UL Standards 886 and 1203
CSA Standard C22.2 No. 30

For ATEX and IEC Ex certified Unions, see following page.

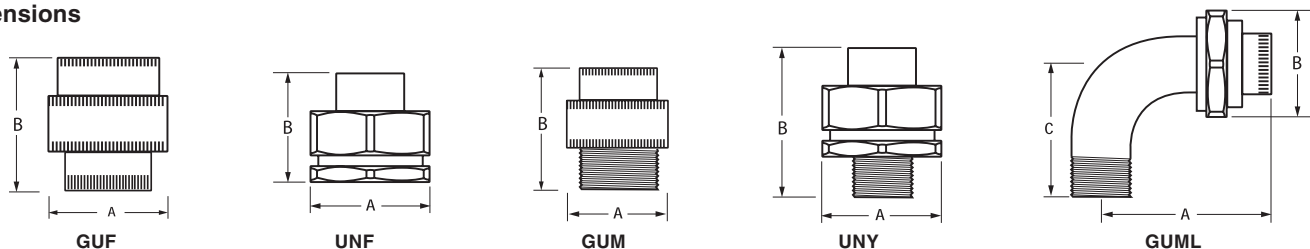
FEMALE TO FEMALE							
CAT. NO. KILLARK ALUM.	HUB SIZE	DIMENSIONS		CAT. NO. STEEL/IRON	HUB SIZE	DIMENSIONS	
		A DIAMETER	B LENGTH			A DIAMETER	B LENGTH
GUF-1	1/2"	1-7/16"(37)	1-7/8"(48)	UNF1	1/2"	1-1/2"(37)	1-55/64"(47)
GUF-2	3/4"	1-5/8"(41)	1-15/16"(49)	UNF2	3/4"	1-3/4"(45)	1-59/64"(49)
GUF-3	1"	2"(51)	2-29/64"(62)	UNF3	1"	2"(51)	2-7/16"(62)
GUF-4	1-1/4"	2-3/8"(60)	2-1/2"(63)	UNF4	1-1/4"	2-27/32"(72)	2-1/4"(57)
GUF-5	1-1/2"	2-5/8"(67)	2-1/2"(63)	UNF5	1-1/2"	3-3/32"(79)	2-7/16"(62)
GUF-6	2"	3-1/4"(82)	2-5/8"(67)	UNF6	2"	3-3/4"(95)	2-5/8"(67)
GUF-7	2-1/2"	4-1/2"(114)	3"(76)	UNF7	2-1/2"	4-1/2"(114)	3"(76)
GUF-8	3"	5-3/8"(136)	3-1/16"(78)	UNF8	3"	5-3/8"(136)	3-1/16"(78)
GUF-9	3-1/2"	6-1/4"(159)	3-9/16"(90)	UNF9	3-1/2"	6-1/4"(159)	3-9/16"(90)
GUF-0	4"	6-1/4"(159)	3-9/16"(90)	UNF0	4"	6-1/4"(159)	3-9/16"(90)

MALE TO FEMALE							
CAT. NO. KILLARK ALUM.	HUB SIZE	DIMENSIONS		CAT. NO. STEEL/IRON	HUB SIZE	DIMENSIONS	
		A DIAMETER	B LENGTH			A DIAMETER	B LENGTH
GUM-1	1/2"	1-7/16"(37)	2-1/2"(64)	UNY1	1/2"	1-1/2"(37)	2-9/16"(65)
GUM-2	3/4"	1-5/8"(41)	2-9/16"(65)	UNY2	3/4"	1-3/4"(45)	2-5/8"(67)
GUM-3	1"	2"(51)	3-3/64"(77)	UNY3	1"	2-1/32"(52)	3-5/64"(78)
GUM-4	1-1/4"	2-3/8"(60)	3-1/4"(83)	UNY4	1-1/4"	2-15/16"(75)	3-1/4"(83)
GUM-5	1-1/2"	2-5/8"(67)	3-1/4"(83)	UNY5	1-1/2"	3-3/16"(81)	3-1/2"(89)
GUM-6	2"	3-1/4"(82)	3-5/8"(92)	UNY6	2"	3-3/4"(95)	4"(102)
GUM-7	2-1/2"	4-1/2"(114)	4-15/16"(125)	UNY7	2-1/2"	4-1/2"(114)	4-15/16"(125)
GUM-8	3"	5-3/8"(136)	5-7/32"(133)	UNY8	3"	5-3/8"(133)	5-7/32"(133)
GUM-9	3-1/2"	6-1/4"(159)	5-13/16"(148)	UNY9	3-1/2"	6-1/4"(159)	5-13/16"(148)
GUM-0	4"	6-1/4"(159)	5-13/16"(148)	UNY0	4"	6-1/4"(159)	5-13/16"(148)

90° ANGLE UNION									
CAT. NO. KILLARK ALUM.	HUB SIZE	DIMENSIONS			CAT. NO. STEEL/IRON	HUB SIZE	DIMENSIONS		
		A DIA.	B LENGTH	C			A DIA.	B LENGTH	C
GUML-1	1/2"	2-1/2" (64)	1-7/16" (37)	1-3/4" (44)	GUML-1M	1/2"	2-1/4" (32)	1-1/2" (38)	1-5/8" (42)
GUML-2	3/4"	2" (51)	1-5/8" (42)	1-5/8" (42)	GUML-2M	3/4"	2-1/4" (32)	1-3/4" (44)	2" (51)

© UL & CSA suitable for Class I, Groups A, B, C, D.

Dimensions



FITTINGS

GU/UN SERIES



UNIONS - ATEX/IEC Ex CERTIFIED



GUF-2 GUF-8



GUM-2



GUML-2



UNF2



UNY4



UNY2



GUML-2M

Female to Female

Male to Female

90° Elbow Union

Global Listings

ATEX / IEC Ex Certified

File nos. **ITS09ATEX16417U**

IECEXITS09.0024U

Ex II2G

Ex d IIC



UL LISTED File No. E 10514

SPR Certified File No. LR11716

See previous page for UL and CSA suitability

FEATURES-SPECIFICATIONS

Applications

- GUF/GUM or UNF/UNY unions are used to connect two pieces of conduit or attach conduit to junction boxes, fittings, or devices
- Permits removal of equipment without turning or removal of conduit

Features

- Threaded for rigid conduit or IMC
- Tapered threads (NPT)
- Strong and durable construction

Material/Finish

Copper-free Aluminum
(less than 4/10 of 1%)

- Natural Finish
- 1/2" - 2" screw machine
- 2-1/2" - 4" cast

Iron - 1-1/4" - 4"

Steel - 1/2", 3/4", 1"

- Zinc electro-plate

Third-Party Standards

UL Standards 886 and 1203
CSA Standard C22.2 No. 30

For NON-ATEX and IEC Ex certified Unions, see previous page.

FEMALE TO FEMALE - QUAD LISTED

CAT. NO. KILLARK ALUM.	HUB SIZE	DIMENSIONS		CAT. NO.	HUB SIZE	DIMENSIONS	
		A DIAMETER	B LENGTH			STEEL/ IRON	A DIAMETER
GUF-1-EX	1/2"	1-7/16"(37)	1-7/8"(48)	UNF1-EX	1/2"	1-1/2"(37)	1-55/64"(47)
GUF-2-EX	3/4"	1-5/8"(41)	1-15/16"(49)	UNF2-EX	3/4"	1-3/4"(45)	1-59/64"(49)
GUF-3-EX	1"	2"(51)	2-29/64"(62)	UNF3-EX	1"	2"(51)	2-7/16"(62)
GUF-4-EX	1-1/4"	2-3/8"(60)	2-1/2"(63)	UNF4-EX	1-1/4"	2-27/32"(72)	2-1/4"(57)
GUF-5-EX	1-1/2"	2-5/8"(67)	2-1/2"(63)	UNF5-EX	1-1/2"	3-3/32"(79)	2-7/16"(62)
GUF-6-EX	2"	3-1/4"(82)	2-5/8"(67)	UNF6-EX	2"	3-3/4"(95)	2-5/8"(67)
GUF-7-EX	2-1/2"	4-1/2"(114)	3"(76)	UNF7-EX	2-1/2"	4-1/2"(114)	3"(76)
GUF-8-EX	3"	5-3/8"(136)	3-1/16"(78)	UNF8-EX	3"	5-3/8"(136)	3-1/16"(78)
GUF-9-EX	3-1/2"	6-1/4"(159)	3-9/16"(90)	UNF9-EX	3-1/2"	6-1/4"(159)	3-9/16"(90)
GUF-0-EX	4"	6-1/4"(159)	3-9/16"(90)	UNF0-EX	4"	6-1/4"(159)	3-9/16"(90)

MALE TO FEMALE - QUAD LISTED

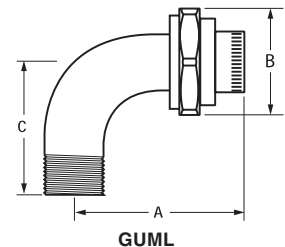
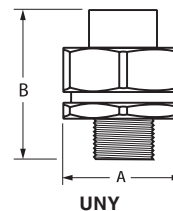
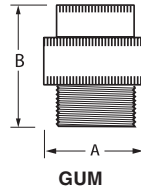
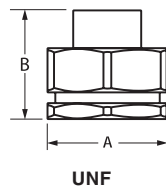
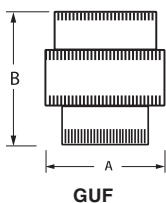
GUM-1-EX	1/2"	1-7/16"(37)	2-1/2"(64)	UNY1-EX	1/2"	1-1/2"(37)	2-9/16"(65)
GUM-2-EX	3/4"	1-5/8"(41)	2-9/16"(65)	UNY2-EX	3/4"	1-3/4"(45)	2-5/8"(67)
GUM-3-EX	1"	2"(51)	3-3/64"(77)	UNY3-EX	1"	2-1/32"(52)	3-5/64"(78)
GUM-4-EX	1-1/4"	2-3/8"(60)	3-1/4"(83)	UNY4-EX	1-1/4"	2-15/16"(75)	3-1/4"(83)
GUM-5-EX	1-1/2"	2-5/8"(67)	3-1/4"(83)	UNY5-EX	1-1/2"	3-3/16"(81)	3-1/2"(89)
GUM-6-EX	2"	3-1/4"(82)	3-5/8"(92)	UNY6-EX	2"	3-3/4"(95)	4"(102)
GUM-7-EX	2-1/2"	4-1/2"(114)	4-15/16"(125)	UNY7-EX	2-1/2"	4-1/2"(114)	4-15/16"(125)
GUM-8-EX	3"	5-3/8"(136)	5-7/32"(133)	UNY8-EX	3"	5-3/8"(133)	5-7/32"(133)
GUM-9-EX	3-1/2"	6-1/4"(159)	5-13/16"(148)	UNY9-EX	3-1/2"	6-1/4"(159)	5-13/16"(148)
GUM-0-EX	4"	6-1/4"(159)	5-13/16"(148)	UNY0-EX	4"	6-1/4"(159)	5-13/16"(148)

90° ANGLE UNION - QUAD LISTED

CAT. NO. KILLARK ALUM.	HUB SIZE	DIMENSIONS			CAT. NO.	HUB SIZE	DIMENSIONS		
		A DIA.	B LENGTH	C			A DIA.	B LENGTH	C
GUML-1-EX	1/2"	2-1/2" (64)	1-7/16" (37)	1-3/4" (44)	GUML-1M-EX	1/2"	2-1/4" (32)	1-1/2" (38)	1-5/8" (42)
GUML-2-EX	3/4"	2" (51)	1-5/8" (42)	1-5/8" (42)	GUML-2M-EX	3/4"	2-1/4" (32)	1-3/4" (44)	2" (51)

UL & CSA suitable for Class I, Groups A, B, C, D.

Dimensions





EXPANSION CONDUIT UNIONS



UNFS Type Female/Female



UNFL Type Female/Female



UNYS Type Male/Female



UNYL Type Male/Female

Class I, Div. 1 & 2, Groups C,D
 Class I, Zone 1, Groups IIB, IIA
 Class II, Div. 1 & 2, Groups E,F,G
 Class III

UL Standards 886 and 1203
 CSA Standard C22.2 No. 30
 Mil Spec: MIL-F28675

LISTED File No. E 10514

Certified File No. LR11716

FEATURES-SPECIFICATIONS

UNFS & UNYS – Standard Length

UNFL & UNYL – Long Length

Application

- To provide for slight expansion and contraction of conduit runs
- To retrofit sections of conduit runs

Features

- Tapered threaded hubs (NPT) for rigid conduit and IMC
- Telescoping components allows conduit to be inserted between fixed threaded hubs
- Internal copper alloy grounding spring assures positive grounding
- Close tolerance of mating parts eliminates passage of flame
- Compact diameter allows use where conduit is closely spaced
- Available in standard and long style, male and female version

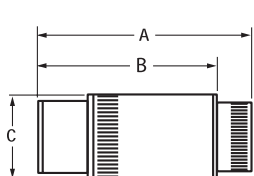
Material/Finish

Body/Sleeve – Steel/Zinc Electroplate

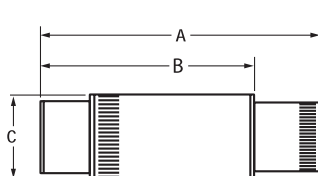
Grounding Spring – Beryllium Copper/
 Natural Finish

FEMALE – SHORT					
CATALOG NUMBER	HUB SIZE	DIMENSIONS			
		MAXIMUM LENGTH "A"	MAXIMUM LENGTH "B"	DIAMETER "C"	MALE THREAD LENGTH "D"
UNFS1	1/2"	3.34" (85)	2.84" (72)	1.19" (30)	-
UNFS2	3/4"	3.53" (90)	2.97" (75)	1.44" (37)	-
UNFS3	1"	3.69" (94)	3.08" (78)	1.69" (43)	-
FEMALE – LONG					
CATALOG NUMBER	HUB SIZE	DIMENSIONS			
		MAXIMUM LENGTH "A"	MAXIMUM LENGTH "B"	DIAMETER "C"	MALE THREAD LENGTH "D"
UNFL1	1/2"	4.34" (110)	3.34" (85)	1.19" (30)	-
UNFL2	3/4"	4.53" (115)	3.47" (88)	1.44" (37)	-
UNFL3	1"	4.69" (119)	3.58" (91)	1.69" (43)	-
MALE – SHORT					
CATALOG NUMBER	HUB SIZE	DIMENSIONS			
		MAXIMUM LENGTH "A"	MAXIMUM LENGTH "B"	DIAMETER "C"	MALE THREAD LENGTH "D"
UNYS1	1/2"	3.48" (88)	2.97" (75)	1.19" (30)	.875" (22)
UNYS2	3/4"	3.60" (91)	3.03" (77)	1.44" (37)	.875" (22)
UNYS3	1"	3.93" (100)	3.15" (80)	1.69" (43)	1.100" (28)
MALE – LONG					
CATALOG NUMBER	HUB SIZE	DIMENSIONS			
		MAXIMUM LENGTH "A"	MAXIMUM LENGTH "B"	DIAMETER "C"	MALE THREAD LENGTH "D"
UNYL1	1/2"	4.48" (114)	3.48" (88)	1.19" (30)	.875" (22)
UNYL2	3/4"	4.60" (117)	3.53" (90)	1.44" (37)	.875" (22)
UNYL3	1"	4.75" (121)	3.65" (93)	1.69" (43)	1.100" (28)

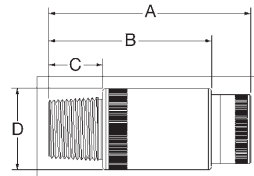
Dimensions



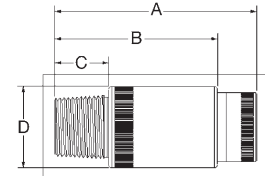
UNFS



UNFL



UNYS



UNYL



FITTINGS

THREADED INSERT PLUGS RECESSED STYLE



Recessed Plug
Cup - 375 to 6
Plug 375 to 3



Recessed Plug
Cup - 7 to 8
Plug 7 to 10



Recessed Plug
Plug 4 to 6



Recessed Plug
Plug - 9 to 0

Class I, Groups A,B,C,D
Class I, Zone 1, Groups IIC, IIB, IA
Class II, Groups E,F,G
Class III

UL Standards 886 and 1203
CSA Standard: C22.2 No. 30

UL LISTED File No. E 10514

SP Certified File No. LR11716

FEATURES-SPECIFICATIONS

Application

- To close up a tapped hole or hub

Features

- Threaded hubs (NPT)

Material/Finish

Copper-free Aluminum – 1/4" - 4"
(less than 4/10 of 1%)

- Natural Finish

Steel – 1/2" - 1"

- Zinc Plated

Iron – 1-1/4" - 4"

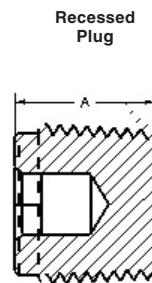
- Zinc Plated

For ATEX and IEC Ex certified
Recessed Style Insert Plugs, see page F72

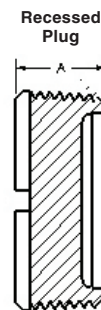
For square head plugs see page F73.

RECESSED PLUG - KILLARK ALUMINUM				
CATALOG NUMBER	HUB SIZE	THREAD SPECIFICATION	PLUG LENGTH A	RECESS DRIVE SIZE
CUP-375	3/8"	3/8"- 18 NPT	37/64" (14.7)	1/4" Allen key
CUP-1	1/2"	1/2"- 14 NPT	19/32" (15.1)	3/8" Allen key
CUP-2	3/4"	3/4"- 14 NPT	19/32" (15.1)	3/8" Allen key
CUP-3	1"	1"- 11-1/2 NPT	5/8" (15.9)	3/8" Allen key
CUP-4	1-1/4"	1-1/4"- 11-1/2 NPT	1" (25.4)	1/2" Allen key
CUP-5	1-1/2"	1-1/2"- 11-1/2 NPT	1" (25.4)	1/2" Allen key
CUP-6	2"	2"- 11-1/2 NPT	1" (25.4)	1/2" Allen key
CUP-7	2-1/2"	2-1/2"- 8 NPT	1-5/32" (29.4)	1/4" Slot
CUP-8	3"	3"- 8 NPT	1-5/32" (29.4)	1/4" Slot
CUP-9	3-1/2"	3-1/2"- 8 NPT	1-5/16" (33.3)	Pry Tabs
CUP-0	4"	4"- 8 NPT	1-5/16" (33.3)	Pry Tabs

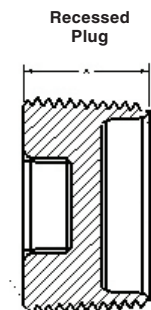
RECESSED PLUG - STEEL/IRON				
CATALOG NUMBER	HUB SIZE	THREAD SPECIFICATION	PLUG LENGTH A	RECESS DRIVE SIZE
PLUG375	3/8"	3/8"- 18 NPT	37/64" (14.7)	1/4" Allen key
PLUG1	1/2"	1/2"- 14 NPT	19/32" (15.1)	1/4" Allen key
PLUG2	3/4"	3/4"- 14 NPT	19/32" (15.1)	5/16" Allen key
PLUG3	1"	1"- 11-1/2 NPT	5/8" (15.9)	3/8" Allen key
PLUG4	1-1/4"	1-1/4"- 11-1/2 NPT	1" (25.4)	3/4" Square
PLUG5	1-1/2"	1-1/2"- 11-1/2 NPT	1" (25.4)	3/4" Square
PLUG6	2"	2"- 11-1/2 NPT	1" (25.4)	3/4" Square
PLUG7	2-1/2"	2-1/2"- 8 NPT	1-5/32" (29.4)	1/4" Slot
PLUG8	3"	3"- 8 NPT	1-5/32" (29.4)	1/4" Slot
PLUG9	3-1/2"	3-1/2"- 8 NPT	1-5/16" (33.3)	1/4" Slot
PLUG10	4"	4"- 8 NPT	1-5/16" (33.3)	1/4" Slot



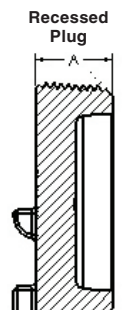
CUP-375 to 6
PLUG 375 to 3



CUP-7 to 8
PLUG 7 to 10



PLUG 4 to 6



CUP-9 to 0



THREADED INSERT PLUGS RECESSED STYLE



Recessed Plug
Cup - 375 to 6
Plug 375 to 3



Recessed Plug
Cup - 7 to 8
Plug 7 to 10



Recessed Plug
Plug 4 to 6



Global Listings

ATEX / IEC Ex Certified

File nos. SIRA 13ATEX1196U Issue: 1

- Ex II 2 G D
- Ex d IIC Gb
- Ex e IIC Gb
- Ex tb IIIC Db
- Ta = -50°C to +60°C

File nos. IECEx SIR 13.0073U Issue: 1

- Ex d IIC Gb
- EX e IIC Gb
- EX tb IIIC Db
- Ta = -50°C to +60°C

LISTED File No. E 10514

Certified File No. LR11716

See page XX for UL and CSA suitabilities

FEATURES-SPECIFICATIONS

Application

- To close up a tapped hole or hub

Features

- Threaded hubs (NPT)

Material/Finish

Copper-free Aluminum – 1/4" - 4"
(less than 4/10 of 1%)

- Natural Finish

Steel – 1/2" - 1"

- Zinc Plated

Iron – 1-1/4" - 4"

- Zinc Plated

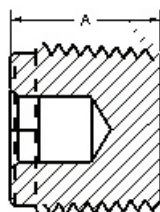
For Non-ATEX and IEC Ex certified
Recessed Style Insert Plugs, see page F71

For square head plugs see following page.

RECESSED PLUG - KILLARK ALUMINUM				
CATALOG NUMBER	HUB SIZE	THREAD SPECIFICATION	PLUG LENGTH A	RECESS DRIVE SIZE
CUP-1-EX	1/2"	1/2"- 14 NPT	19/32" (15.1)	3/8" Allen key
CUP-2-EX	3/4"	3/4"- 14 NPT	19/32" (15.1)	3/8" Allen key
CUP-3-EX	1"	1"- 11-1/2 NPT	5/8" (15.9)	3/8" Allen key
CUP-4-EX	1-1/4"	1-1/4"- 11-1/2 NPT	1" (25.4)	1/2" Allen key
CUP-5-EX	1-1/2"	1-1/2"- 11-1/2 NPT	1" (25.4)	1/2" Allen key
CUP-6-EX	2"	2"- 11-1/2 NPT	1" (25.4)	1/2" Allen key
CUP-7-EX	2-1/2"	2-1/2"- 8 NPT	1-5/32" (29.4)	1/4" Slot
CUP-8-EX	3"	3"- 8 NPT	1-5/32" (29.4)	1/4" Slot

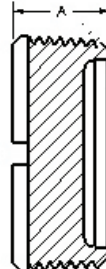
RECESSED PLUG - STEEL/IRON				
CATALOG NUMBER	HUB SIZE	THREAD SPECIFICATION	PLUG LENGTH A	RECESS DRIVE SIZE
PLUG1-EX	1/2"	1/2"- 14 NPT	19/32" (15.1)	1/4" Allen key
PLUG2-EX	3/4"	3/4"- 14 NPT	19/32" (15.1)	5/16" Allen key
PLUG3-EX	1"	1"- 11-1/2 NPT	5/8" (15.9)	3/8" Allen key
PLUG4-EX	1-1/4"	1-1/4"- 11-1/2 NPT	1" (25.4)	3/4" Square
PLUG5-EX	1-1/2"	1-1/2"- 11-1/2 NPT	1" (25.4)	3/4" Square
PLUG6-EX	2"	2"- 11-1/2 NPT	1" (25.4)	3/4" Square
PLUG7-EX	2-1/2"	2-1/2"- 8 NPT	1-5/32" (29.4)	1/4" Slot
PLUG8-EX	3"	3"- 8 NPT	1-5/32" (29.4)	1/4" Slot
PLUG9-EX	3-1/2"	3-1/2"- 8 NPT	1-5/16" (33.3)	1/4" Slot
PLUG10-EX	4"	4"- 8 NPT	1-5/16" (33.3)	1/4" Slot

Recessed Plug



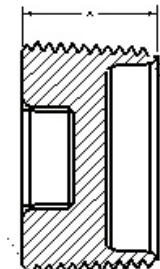
CUP-375 to 6
PLUG 375 to 3

Recessed Plug



CUP-7 to 8
PLUG 7 to 10

Recessed Plug



PLUG 4 to 6



FITTINGS

THREADED INSERT PLUGS SQUARE HEAD STYLE



Square Head Plug
Cup-250 to 0



Square Head Plug
PLUG1-SQ to 10SQ

Class I Groups A,B,C,D
Class I, Zone 1, Groups IIC, IIB, IA
Class II Groups E,F,G
Class III

UL Standards 886 and 1203
CSA Standard: C22.2 No. 30

LISTED Listed File No. E 10514

Certified File No. LR11716

FEATURES-SPECIFICATIONS

Application

- To close up a tapped hole or hub

Features

- Threaded hubs (NPT)

Material/Finish

Copper-free Aluminum – 1/4" - 4"
(less than 4/10 of 1%)

- Natural Finish

Steel – 1/2" - 1"

- Zinc Plated

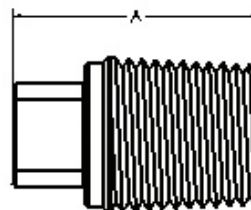
Iron – 1-1/4" - 4"

- Zinc Plated

For recessed style plugs see previous page.

SQUARE HEAD PLUG (EXTERNAL HEAD) - KILLARK ALUMINUM				
CATALOG NUMBER	HUB SIZE	THREAD SPECIFICATION	PLUG LENGTH A	HEAD SIZE
CUPX-250	1/4"	1/4"- 18 NPT	51/64" (20.2)	3/8" (9.5)
CUPX-1	1/2"	1/2"- 14 NPT	1/64" (25.8)	1/2" (12.7)
CUPX-2	3/4"	3/4"- 14 NPT	1-5/32" (29.4)	5/8" (15.9)
CUPX-3	1"	1"- 11-1/2 NPT	21/64" (33.7)	13/16" (20.6)
CUPX-4	1-1/4"	1-1/4"- 11-1/2 NPT	1-3/8" (34.9)	15/16" (23.8)
CUPX-5	1-1/2"	1-1/2"- 11-1/2 NPT	1-13/16" (46.0)	1-1/8" (28.6)
CUPX-6	2"	2"- 11-1/2 NPT	1-49/64" (44.8)	1-5/16" (33.3)
CUPX-7	2-1/2"	2-1/2"- 8 NPT	1-27/32" (46.8)	1-5/8" (41.3)
CUPX-8	3"	3"- 8 NPT	1-27/32" (46.8)	2" (50.8)
CUPX-9	3-1/2"	3-1/2"- 8 NPT	2" (50.8)	2-1/2" (63.5)
CUPX-0	4"	4"- 8 NPT	2" (50.8)	2-1/2" (63.5)

SQUARE HEAD PLUG (EXTERNAL HEAD) - STEEL/IRON				
CATALOG NUMBER	HUB SIZE	THREAD SPECIFICATION	PLUG LENGTH A	RECESS DRIVE SIZE
PLUG1-SQ	1/2"	1/2"- 14 NPT	61/64" (24.2)	35/64" (13.9)
PLUG2-SQ	3/4"	3/4"- 14 NPT	1-3/32" (27.7)	5/8" (15.9)
PLUG3-SQ	1"	1"- 11-1/2 NPT	1-17/64" (32.1)	13/16" (20.6)
PLUG4-SQ	1-1/4"	1-1/4"- 11-1/2 NPT	1-7/16" (36.4)	15/16" (23.8)
PLUG5-SQ	1-1/2"	1-1/2"- 11-1/2 NPT	1-15/32" (37.3)	1-1/8" (28.6)
PLUG6-SQ	2"	2"- 11-1/2 NPT	1-21/32" (42.1)	1-5/16" (33.3)
PLUG7-SQ	2-1/2"	2-1/2"- 8 NPT	1-27/32" (46.8)	1-5/8" (41.3)
PLUG8-SQ	3"	3"- 8 NPT	1-27/32" (46.8)	2" (50.8)
PLUG9-SQ	3-1/2"	3-1/2"- 8 NPT	2" (50.8)	2-1/2" (63.5)
PLUG10-SQ	4"	4"- 8 NPT	2" (50.8)	2-1/2" (63.5)





RIGID CONDUIT NIPPLES



AN-1 to 0



AN - 2B

- Suitable for use in hazardous location applications when installed according to NEC Articles 501.10 (Class I, Div. 1 & 2 Groups A,B,C,D), NEC 502.10 (Class II, Div. I & 2, Groups EFG) and NEC 503.10 (Class III).
- UL Standards 886 and 1203

 LISTED File No. E 311892

FEATURES-SPECIFICATIONS

Application

- To connect threaded rigid or IMC conduit to cast hubs or drilled and tapped conduit openings

Features

- Tapered threads (NPT) meet latest UL 1203 requirements

Material/Finish

Copper-free Aluminum
(less than 4/10 of 1%)

Steel – 1/2" - 6"

- Zinc Plated

For ATEX and IEC Ex certified Rigid Conduit Nipple, see page F75

RIGID CONDUIT NIPPLES - ALUMINUM				
CATALOG NUMBER	CONDUIT SIZE	THREAD SPECIFICATION	BODY LENGTH DIMENSION A	FIG.#
AN-1	1/2"	1/2"- 14 NPT	1-9/16" (39.7)	1
AN-2	3/4"	3/4"- 14 NPT	1-37/64" (40.1)	1
AN-3	1"	1"- 11-1/2 NPT	1-31/32" (50.0)	1
AN-4	1-1/4"	1"- 11-1/2 NPT	2-1/64" (51.2)	1
AN-5	1-1/2"	1"- 11-1/2 NPT	2-1/16" (52.4)	1
AN-6	2"	1"- 11-1/2 NPT	2-1/8" (54.0)	1
AN-7	2-1/2"	2-1/2"- 8 NPT	3-9/64" (79.8)	1
AN-8	3"	3"- 8 NPT	3-1/4" (82.6)	1
AN-9	3-1/2"	3-1/2"- 8 NPT	3-23/64" (85.3)	1
AN-10	4"	4"- 8 NPT	3-15/32" (88.1)	1
AN-11	5"	5"- 8 NPT	3-1/2" (88.9)	1
AN-12	6"	6"- 8 NPT	3-1/2" (88.9)	1
AN-1B	1/2"	1/2"- 14 NPT	2" (50.8)	2
AN-2B	3/4"	3/4"- 14 NPT	2" (50.8)	2

RIGID CONDUIT NIPPLES - STEEL				
CATALOG NUMBER	CONDUIT SIZE	THREAD SPECIFICATION	BODY LENGTH DIMENSION A	FIG.#
AN-1S	1/2"	1/2"- 14 NPT	1-9/16" (39.7)	1
AN-2S	3/4"	3/4"- 14 NPT	1-37/64" (40.1)	1
AN-3S	1"	1"- 11-1/2 NPT	1-31/32" (50.0)	1
AN-4S	1-1/4"	1"- 11-1/2 NPT	2-1/64" (51.2)	1
AN-5S	1-1/2"	1"- 11-1/2 NPT	2-1/16" (52.4)	1
AN-6S	2"	1"- 11-1/2 NPT	2-1/8" (54.0)	1
AN-7S	2-1/2"	2-1/2"- 8 NPT	3-9/64" (79.8)	1
AN-8S	3"	3"- 8 NPT	3-1/4" (82.6)	1
AN-9S	3-1/2"	3-1/2"- 8 NPT	3-23/64" (85.3)	1
AN-10S	4"	4"- 8 NPT	3-15/32" (88.1)	1
AN-11S	5"	5"- 8 NPT	3-1/2" (88.9)	1
AN-12S	6"	6"- 8 NPT	3-1/2" (88.9)	1
AN-1BS	1/2"	1/2"- 14 NPT	2" (50.8)	2
AN-2BS	3/4"	3/4"- 14 NPT	2" (50.8)	2

FIGURE 1



AN-1 to 0

FIGURE 2



AN-2B



FITTINGS

RIGID CONDUIT NIPPLES



AN-1 to 0



AN-2B



Global Listings

ATEX / IEC Ex Certified

File nos. SIRA 13ATEX1196U Issue: 1

II 2 G D

Ex d IIC Gb

Ex e IIC Gb

Ex tb IIIC Db

Ta = -50°C to +60°C

File nos. IECEx SIR 13.0073U Issue: 1

Ex d IIC Gb

EX e IIC Gb

EX tb IIIC Db

Ta = -50°C to +60°C

- Suitable for use in hazardous location applications when installed according to NEC Articles 501.10 (Class I, Div. I & 2 Groups A, B, C, D), NEC 502.10 (Class II, Div. I & 2, Groups EFG) and NEC 503.10 (Class III).
- UL Standards 886 and 1203

File No. E 311892

FEATURES-SPECIFICATIONS

Application

- To connect threaded rigid or IMC conduit to cast hubs or drilled and tapped conduit openings

Features

- Tapered threads (NPT) meet latest UL 1203 requirements

Material/Finish

Copper-free Aluminum
(less than 4/10 of 1%)

Steel – 1/2"– 6"

- Zinc Plated

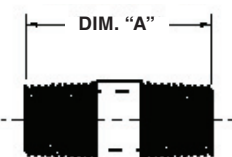
For Non-ATEX and IEC Ex certified Rigid Conduit Nipple, see page F74

FIGURE 1



AN-1 to 0

FIGURE 2



AN-2B

RIGID CONDUIT NIPPLES - ALUMINUM

CATALOG NUMBER	CONDUIT SIZE	THREAD SPECIFICATION	BODY LENGTH DIMENSION A	FIG.#
AN-1-EX	1/2"	1/2"- 14 NPT	1-9/16" (39.7)	1
AN-2-EX	3/4"	3/4"- 14 NPT	1-37/64" (40.1)	1
AN-3-EX	1"	1"- 11-1/2 NPT	1-31/32" (50.0)	1
AN-4-EX	1-1/4"	1"- 11-1/2 NPT	2-1/64" (51.2)	1
AN-5-EX	1-1/2"	1"- 11-1/2 NPT	2-1/16" (52.4)	1
AN-6-EX	2"	1"- 11-1/2 NPT	2-1/8" (54.0)	1
AN-7-EX	2-1/2"	2-1/2"- 8 NPT	3-9/64" (79.8)	1
AN-8-EX	3"	3"- 8 NPT	3-1/4" (82.6)	1
AN-9-EX	3-1/2"	3-1/2"- 8 NPT	3-23/64" (85.3)	1
AN-10-EX	4"	4"- 8 NPT	3-15/32" (88.1)	1
AN-1B-EX	1/2"	1/2"- 14 NPT	2" (50.8)	2
AN-2B-EX	3/4"	3/4"- 14 NPT	2" (50.8)	2

RIGID CONDUIT NIPPLES - STEEL

CATALOG NUMBER	CONDUIT SIZE	THREAD SPECIFICATION	BODY LENGTH DIMENSION A	FIG.#
AN-1S-EX	1/2"	1/2"- 14 NPT	1-9/16" (39.7)	1
AN-2S-EX	3/4"	3/4"- 14 NPT	1-37/64" (40.1)	1
AN-3S-EX	1"	1"- 11-1/2 NPT	1-31/32" (50.0)	1
AN-4S-EX	1-1/4"	1"- 11-1/2 NPT	2-1/64" (51.2)	1
AN-5S-EX	1-1/2"	1"- 11-1/2 NPT	2-1/16" (52.4)	1
AN-6S-EX	2"	1"- 11-1/2 NPT	2-1/8" (54.0)	1
AN-7S-EX	2-1/2"	2-1/2"- 8 NPT	3-9/64" (79.8)	1
AN-8S-EX	3"	3"- 8 NPT	3-1/4" (82.6)	1
AN-9S-EX	3-1/2"	3-1/2"- 8 NPT	3-23/64" (85.3)	1
AN-10S-EX	4"	4"- 8 NPT	3-15/32" (88.1)	1
AN-1BS-EX	1/2"	1/2"- 14 NPT	2" (50.8)	2
AN-2BS-EX	3/4"	3/4"- 14 NPT	2" (50.8)	2



DRAINS / BREATHERS / FLAME ARRESTORS



KDB-1 KB1B KB1D

KB/KD SERIES DRAIN & BREATHERS

Applications

When installed in the top of an enclosure, these fittings act as breathers which allows air flow through the enclosure. Bottom installations permit water from condensation

to drain from the enclosure continuously. The drains and breathers are offered in a variety of hub sizes, 1/4, 3/8 & 1/2 inch NPT and metric M16 & M20.

ATEX/IEC Ex Certified

- ① See chart below for suitability
- ② Warning – not for use in acetylene atmosphere

Class I, Div. 1 & 2, Groups B[Ⓢ], C, D
 Class I, Zones 1 & 2, Groups IIB + H₂[Ⓢ]
 Class II, Div. 1 & 2, Groups E, F, G
 Class III, NEMA Type 3
 II 2 G Ex d IIB IIC[Ⓢ] T226C Gb IP44
 Ta = -50°C to +60°C



UL LISTED - File E10514
 cCSA US Certified - File LR11716
 FM APPROVED Certified File 25215
 IEC Ex CSA 10.0007U
 SIRA 10ATEX1351U

Body Material

Aluminum with optional stainless steel or brass available for special orders.

Volume

For use in enclosures with a maximum internal volume to 9526 cubic inches or 160 liters.

CATALOG NUMBER	THREAD SIZE	BODY MATERIAL	THIRD PARTY	SUITABILITY USA	THIRD PARTY	SUITABILITY CANADA	THIRD PARTY	SUITABILITY ATEX/IEC Ex
KB1B BREATHER KB1D DRAIN KB1BCEN BREATHER KB1DCEN DRAIN KBM20BCEN BREATHER KBM20DCEN DRAIN	1/2 NPT 1/2 NPT 1/2 NPT M20 M20	ALUMINUM ALUMINUM ALUMINUM ALUMINUM ALUMINUM ALUMINUM	UL, FM & CSAus UL, FM & CSAus CSAus CSAus CSAus CSAus	CLASS I GROUPS B, C & D CLASS I, ZONES 1 & 2 GR IIB+H ₂ CLASS II GROUPS E, F, & G CLASS III ENCL TYPE 3	c CSA c CSA c CSA c CSA c CSA c CSA	CLASS I GROUPS C & D CLASS I, ZONES 1 & 2 GR IIB CLASS II GROUPS E, F & G CLASS III ENCL TYPE 3	SIRA/CSA SIRA/CSA SIRA/CSA SIRA/CSA	II 2 G Ex d IIC T226C Gb IP44 [Ⓢ]
KDB-1 DRAIN / BREATHER KDB-250 DRAIN / BREATHER KDB-375 DRAIN / BREATHER KDB-250CEN DRAIN / BREATHER KDB-375CEN DRAIN / BREATHER KDB-M16CEN DRAIN / BREATHER	1/2 NPT 1/4 NPT 3/8 NPT 1/4 NPT 3/8 NPT M16	STAINLESS STEEL ALUMINUM ALUMINUM ALUMINUM ALUMINUM ALUMINUM	UL, FM & CSAus CSAus CSAus CSAus CSAus CSAus	CLASS I GROUPS C & D CLASS I, ZONES 1 & 2 GR IIB CLASS II GROUPS E, F & G CLASS III ENCL TYPE 3	c CSA c CSA c CSA c CSA c CSA c CSA	CLASS I GROUPS C & D CLASS I, ZONES 1 & 2 GR IIB CLASS II GROUPS E, F & G CLASS III ENCL TYPE 3	SIRA/CSA SIRA/CSA SIRA/CSA SIRA/CSA	II 2 G Ex d IIB T3 Gb IP44

KB SERIES FLAME ARRESTOR

Applications

The flame arrestor provides a means to connect gas analysis equipment and electro pneumatic devices' pipe or tubing system through the wall of an explosion-proof enclosure.

BODY MATERIAL: 6061-T6 series aluminum provided as standard. Optional stainless steel or brass for special orders.

ATEX/IEC Ex Certified



Class I, Div. 1 & 2, Groups B[Ⓢ], C, D
 Class I, Zones 1 & 2, Groups IIB + H₂[Ⓢ]
 Class II, Div. 1 & 2, Groups E, F, G
 Class III, NEMA Type 3, 4[Ⓢ]
 II 2 G Ex d IIB IICk T3 Gb IP66[Ⓢ]
 Ta = -50°C to +60°C

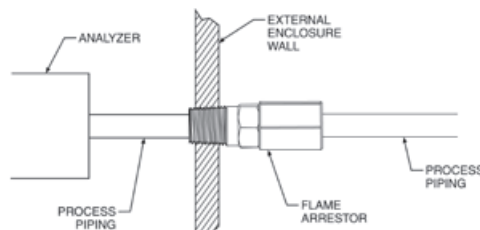


cCSA US Certified - File LR11716
 IEC Ex CSA 10.0007U
 SIRA 10ATEX1351U

- ① See chart below for suitability
- Ⓢ Warning – not for use in acetylene atmospheres

CATALOG NUMBER	EXTERNAL HUB THREAD SIZE	INTERNAL & EXTERNAL PROCESS PIPING THREAD SIZE	THIRD PARTY	SUITABILITY USA	THIRD PARTY	SUITABILITY CANADA	THIRD PARTY	SUITABILITY ATEX/IEC Ex
KB1FA25 KB1FA25SS6	1/2 NPT 1/2 NPT	1/4 NPT 1/4 NPT	CSAus CSAus	CLASS I GROUPS B, C & D CLASS I, ZONES 1 & 2 GR IIB+H ₂ CLASS II GROUPS E, F, & G CLASS III TYPE 3 & 4	c CSA c CSA	CLASS I GROUPS C & D CLASS I, ZONES 1 & 2 GR IIB CLASS II GROUPS E, F & G CLASS III TYPE 3 & 4	SIRA/CSA	II 2 G Ex d IIC [Ⓢ] T3 Gb IP66
KB1FAM16 KBM20FA25 KBM20FA25SS6 KBM20FAM16 KBM30FAM16SS6	1/2 NPT M20 M20 M20 M20	M16 1/4" NPT 1/4" NPT M16 M16	CSAus CSAus CSAus	CLASS I GROUPS B, C & D CLASS I ZONES 1 & 2 GR IIB+H ₂ CLASS II GROUPS E, F & G CLASS III TYPE 3	c CSA c CSA c CSA	CLASS I GROUPS C & D CLASS I, ZONES 1 & 2 GR IIB CLASS II GROUPS E, F & G CLASS III TYPE 3	SIRA/CSA SIRA/CSA SIRA/CSA	II 2 G Ex d IIC T3 Gb IP65

TYPICAL INSTALLATION



Specifications

Air flow = 83 + 15 / -25 SCFH at 5PSI
 Pressure drop = 1.3 PSI at 100 PSI
 Maximum flow pressure = 800 PSI
 Volume = For use in enclosures with a maximum internal volume of 9526 cubic inches or 160 liters.



FITTINGS

EXPLOSIONPROOF, DUST-IGNITIONPROOF AND TYPE 4X UNIVERSAL DRAIN OR BREATHER



KB1-4X

Class I, Div. 1 & 2, Groups B^①, C, D
 Class I, Zones 1 & 2, Groups IIB + H₂
 Class II, Div. 1 & 2, Groups E, F, G
 Class III
 Type 3, 4, 4X (NEMA)

-  Certified File - LR11716
-  Certified File - LR11716
-  File E10514
-  Certified File - LR11716

FEATURES-SPECIFICATIONS

Applications:

When installed in the top of an enclosure, this fitting acts as a breather to allow air flow through the enclosure. Bottom installation permits water from condensation to drain from the enclosure continuously.

Features

- Suitable for Explosionproof and Dust-Ignitionproof environments
- Type 3, 4, 4X Rating (NEMA)
- Machined 1/2" NPT Thread

Standard Materials

- Copper-Free Aluminum
- 316 Stainless Steel

Finish

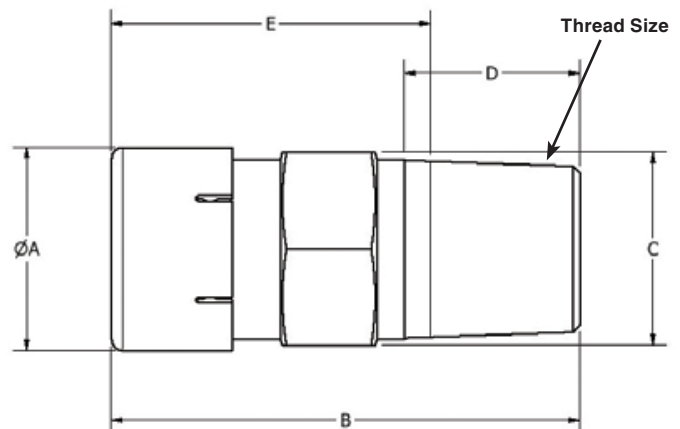
- Anodized Lightblue - Aluminum
- Natural - 316 Stainless Steel

① Canadian suitability

Class I, Div. 1 & 2, Groups C, D
 Class I, Zones 1 & 2, Groups IIB
 Class II, Div. 1 & 2, Groups E, F, G
 Class III
 Type 3, 4, 4X (NEMA)

KB EXPLOSIONPROOF, DUST-IGNITIONPROOF AND TYPE 4X UNIVERSAL DRAIN OR BREATHER				
CATALOG NUMBER	THREAD SIZE	BODY MATERIAL	FINISH	SHIP CTN QTY
KB1-4X	1/2" NPT	Aluminum	ANODIZED LIGHTBLUE	5
KB1-4XS6	1/2" NPT	316 Stainless Steel	NATURAL	5

DIMENSIONS						
CATALOG NUMBER	A	B	C		D	E +/- 1/8" TYPICAL
			A/C	A/F		
KB1-4X	13/16"	2-1/8"	1"	7/8"	51/64"	1-19/32"
KB1-4XS6	13/16"	2-1/8"	1"	7/8"	51/64"	1-19/32"





KDE SERIES DRAIN BREATHER



KDES60M20



KDEGF0M20

Class I, Div. 2, Groups A, B, C, D
 Class I, Zone 1 & 2, Ex e / AEx e IIC,
 A/Ex tb
 Class II, Div. 1[Ⓛ] & 2, Groups E, F, G
 Class III, Ambient Temperature Range
 -55°C to +80°C
 Enclosure Type 3, 4 & 4X[Ⓜ] IP66



SP US 2714851

II 2 G D CE 0539

Ex e IIC Gb

Ex tb IIC Db IP66

Ta = -55°C to +80°C

Seguranca IEx 15.0154X

CML 15ATEX3028X

IEEx QPS 15.0002X

PATENT PENDING

FEATURES-SPECIFICATIONS

Applications

When installed in the bottom of a thin wall enclosure the KDE allows water from condensation to drain continuously out of the enclosure. The drain breathers are installed through clearance holes and held secured with an internal locknut. The silicone external o ring makes a hose down tight seal.

Features

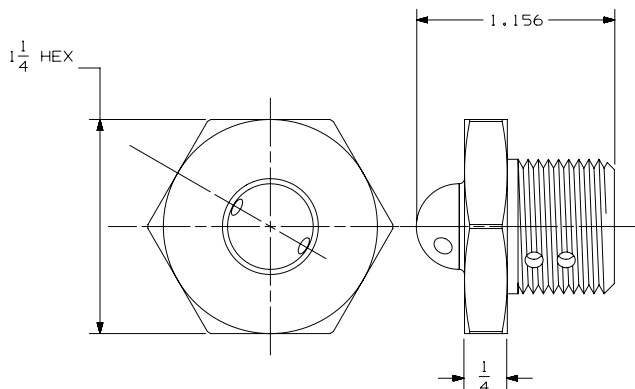
- Silicone o-ring supplied as standard and suitable for use in a -55°C to +80°C temperature range.
- Variety of thread sizes 1/2 & 3/4 NPT, 1/2 & 3/4 NPSM, M20 & M25.
- Available in 300 series stainless steel, 316 stainless steel, aluminum and 30% glass filled nylon.
- Internal 316 stainless steel locknut supplied as standard. When tighten to the proper torque the joint makes a hose down tight seal for type 4, 4X & IP66 application.

Materials

- 303 or 304 stainless steel, 316 stainless steel, brass, aluminum or 30% glass filled nylon.
- Internal locknut 316 stainless steel.
- High temp silicone o-ring

ENTRY THREAD SIZE & TYPE	MATERIAL / CATALOG NUMBER				
	GLASS FILLED PA6 NYLON	ALUMINUM	316 STAINLESS STEEL	BRASS	NICKEL PLATED BRASS
M20	KDEGF0M20	KDEAL0M20	KDES60M20	KDEBR0M20	KDEBR1M20
M25	KDEGF0M25	KDEAL0M25	KDES60M25	KDEBR0M25	KDEBR1M25
1/2" NPT	KDEGF0050	KDEAL0050	KDES60050	KDEBR0050	KDEBR1050
3/4" NPT	KDEGF0075	KDEAL0075	KDES60075	KDEBR0075	KDEBR1075

Note: Other thread forms and materials available upon request.



[Ⓛ] Class II Div. 1 Canada only, Div. 2 in the U.S.

[Ⓜ] Type 4X in 316 & 304 SS, Aluminum & Nylon materials only.



FITTINGS

REDUCING BUSHINGS AND ADAPTERS



R - 31



R - 65



ADUP-12

- R-10 through R-65
- RE21S through RE65S
Class I, Div. 1 & 2, Groups A, B, C, D
Class I, Zone 1, Groups IIC, IIB, IIA
Class II, Div. 1 & 2, Groups E, F, G
- R-73 through R-109
Class I, Div. 1 & 2, Groups A, B, C, D
Class I, Zone 1, Groups IIC, IIB, IIA
Class II, Div. 1 & 2, Groups E, F, G

UL Standard: 886
CSA Standard: C22.2 No. 30

LISTED File No. E 10514

Certified File No. LR11716

FEATURES-SPECIFICATIONS

Application

- To reduce the trade size of a taped hole or hub.

Features

- Tapered threads (NPT)
- Smooth internal bushing protects conductors
- Threaded for Rigid Conduit or IMC

Material/Finish

Copper-free Aluminum

(less than 4/10 of 1%)
(R-10 through R-109)

Natural Finish

Steel/Zinc Plated

(RE21S through RE65S)

For ATEX and IEC Ex certified
Reducing Bushings and Adapters, see
page F80

REDUCING BUSHINGS

CATALOG NUMBER		HUB SIZE	DIMENSIONS BODY LENGTH
KILLARK ALUM.	STEEL		
R-10	—	1/2" — 3/8"	3/4"(19)
R-20	—	3/4" — 3/8"	11/16"(18)
R-21	RE21S	3/4" — 1/2"	13/16"(21)
R-30	—	1" — 3/8"	11/16"(18)
R-31	RE31S	1" — 1/2"	13/16"(21)
R-32	RE32S	1" — 3/4"	13/16"(21)
R-41	RE41S	1-1/4" — 1/2"	13/16"(21)
R-42	RE42S	1-1/4" — 3/4"	13/16"(21)
R-43	RE43S	1-1/4" — 1"	1"(25)
R-51	RE51S	1-1/2" — 1/2"	13/16"(21)
R-52	RE52S	1-1/2" — 3/4"	13/16"(21)
R-53	RE53S	1-1/2" — 1"	1"(25)
R-54	RE54S	1-1/2" — 1-1/4"	1-1/64"(28)
R-61	RE61S	2" — 1/2"	13/16"(21)
R-62	RE62S	2" — 3/4"	13/16"(21)
R-63	RE63S	2" — 1"	1"(25)
R-64	RE64S	2" — 1-1/4"	1/64"(28)
R-65	RE65S	2" — 1-1/2"	1/32"(31)
R-73	—	2-1/2" — 1"	1"(25)
R-74	—		
R-75	—	2-1/2" — 1-1/2"	1"(25)
R-76	—	2-1/2" — 2"	1"(25)
R-84	—		
R-85	—	3" — 1-1/2"	1-1/4"(32)
R-86	—	3" — 2"	1-1/4"(32)
R-87	—	3" — 2-1/2"	1-1/4"(32)
R-96	—	3-1/2" — 2-1/2"	1-3/8"(35)
R-97	—	3-1/2" — 2-1/2"	1-3/8"(35)
R-98	—	3-1/2" — 3"	1-3/8"(35)
R-106	—	4" — 2"	1-1/2"(38)
R-107	—	4" — 2-1/2"	1-1/2"(38)
R-108	—	4" — 3"	1-1/2"(38)
R-109	—	4" — 3-1/2"	1-1/2"(38)

ADUP ADAPTERS

CATALOG NUMBER ^①	DESCRIPTION
ADUP-01	Male 3/8" Female 1/2"
ADUP-12	Male 1/2" Female 3/4"

^① Series ADUP suitable for Class I, Groups A, B, C, D



REDUCING BUSHINGS



R - 31



R - 65

FEATURES-SPECIFICATIONS

Application

- To reduce the trade size of a taped hole or hub.

Features

- Tapered threads (NPT)
- Smooth internal bushing protects conductors
- Threaded for Rigid Conduit or IMC

Material/Finish

Copper-free Aluminum

(less than 4/10 of 1%)
(R-10 through R-109)

Natural Finish

Steel/Zinc Plated

(RE21S through RE65S)

For Non-ATEX and IEC Ex certified Reducing Bushings and Adapters, see page F79



Global Listings

ATEX / IEC Ex Certified

File nos. SIRA 13ATEX1196U Issue: 1

⊗ II 2 G D

Ex d IIC Gb

Ex e IIC Gb

Ex tb IIIC Db

Ta = -50°C to +60°C

File nos. IECEx SIR 13.0073U Issue: 1

Ex d IIC Gb

EX e IIC Gb

EX tb IIIC Db

Ta = -50°C to +60°C

LISTED File No. E 10514

Certified File No. LR11716

See page XX for UL and CSA suitabilities

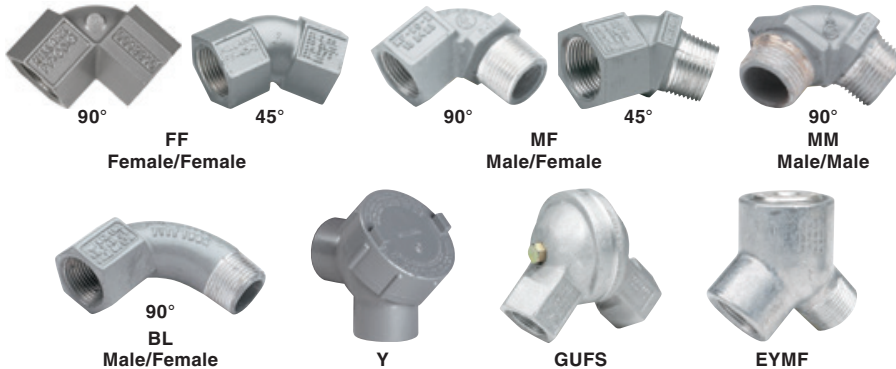
REDUCING BUSHINGS			
CATALOG NUMBER		HUB SIZE	DIMENSIONS
KILLARK ALUM.	STEEL		BODY LENGTH
R-10-EX	—	1/2" — 3/8"	3/4"(19)
R-20-EX	—	3/4" — 3/8"	11/16"(18)
R-21-EX	RE21S-EX	3/4" — 1/2"	13/16"(21)
R-30-EX	—	1" — 3/8"	11/16"(18)
R-31-EX	RE31S-EX	1" — 1/2"	13/16"(21)
R-32-EX	RE32S-EX	1" — 3/4"	13/16"(21)
R-41-EX	RE41S-EX	1-1/4" — 1/2"	13/16"(21)
R-42-EX	RE42S-EX	1-1/4" — 3/4"	13/16"(21)
R-43-EX	RE43S-EX	1-1/4" — 1"	1"(25)
R-51-EX	RE51S-EX	1-1/2" — 1/2"	13/16"(21)
R-52-EX	RE52S-EX	1-1/2" — 3/4"	13/16"(21)
R-53-EX	RE53S-EX	1-1/2" — 1"	1"(25)
R-54-EX	RE54S-EX	1-1/2" — 1-1/4"	1-1/64"(28)
R-61-EX	RE61S-EX	2" — 1/2"	13/16"(21)
R-62-EX	RE62S-EX	2" — 3/4"	13/16"(21)
R-63-EX	RE63S-EX	2" — 1"	1"(25)
R-64-EX	RE64S-EX	2" — 1-1/4"	1/64"(28)
R-65-EX	RE65S-EX	2" — 1-1/2"	1/32"(31)
R-73-EX	—	2-1/2" — 1"	1"(25)
R-74-EX	—	—	—
R-75-EX	—	2-1/2" — 1-1/2"	1"(25)
R-76-EX	—	2-1/2" — 2"	1"(25)
R-84-EX	—	—	—
R-85-EX	—	3" — 1-1/2"	1-1/4"(32)
R-86-EX	—	3" — 2"	1-1/4"(32)
R-87-EX	—	3" — 2-1/2"	1-1/4"(32)
R-96-EX	—	3-1/2" — 2-1/2"	1-3/8"(35)
R-97-EX	—	3-1/2" — 2-1/2"	1-3/8"(35)
R-98-EX	—	3-1/2" — 3"	1-3/8"(35)
R-106-EX	—	4" — 2"	1-1/2"(38)
R-107-EX	—	4" — 2-1/2"	1-1/2"(38)
R-108-EX	—	4" — 3"	1-1/2"(38)
R-109-EX	—	4" — 3-1/2"	1-1/2"(38)

FITTINGS

FF/MF/MM/BL/GUFS/Y/EYMF SERIES



ELBOWS



Class I, Div. 1 & 2, Groups C, D
Class II, Div. 1 & 2, Groups E, F, G
Class III

LISTED - File E10514

Certified - File LR11716

APPROVED File 25215
 See files for details or call Killark.

FEATURES-SPECIFICATIONS

Applications

- Elbows: To change direction in rigid or IMC conduit systems
- Capped Elbows: To change direction 90° in rigid or IMC conduit systems where space is limited and access is needed for pulling conductors or maintenance
- Swivel Elbows: Allows conduit to be joined at angles ranging between 90° to 180°. A screwdriver is the only tool needed
- 90° Plugged Elbows: To change direction 90° in rigid or IMC conduit systems where space is limited and access is needed for pulling conductors or maintenance

Features

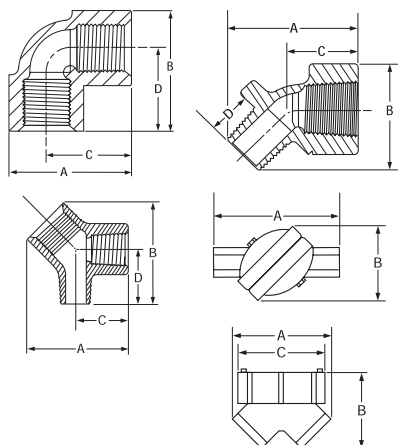
- Threaded for rigid conduit or IMC
- Smooth integral bushings to prevent damage to wires

Material/Finish

Copper-free Aluminum
 (less than 4/10 of 1%)

- Electrostatically applied powder coating

Iron Zinc electro-plate



ELBOWS							
CATALOG NUMBER		HUB SIZE	TYPE	A	B	C	D
ALUMINUM	IRON						
FF-90-1①	FF-90-1M③	1/2"	FF 90°	2"	2"	1-3/8"	1-3/8"
FF-90-2①	FF-90-2M③	3/4"	FF 90°	2-1/4"	2-1/4"	1-1/2"	1-1/2"
FF-90-3①	FF-90-3M③	1"	FF 90°	2-15/16"	2-15/16"	2"	2"
FF-45-1①	FF-45-1M③	1/2"	FF 45°	2-3/8"	2"	1-1/8"	—
FF-45-2①	FF-45-2M③	3/4"	FF 45°	2-11/16"	2-3/16"	1-1/4"	—
FF-45-3①	FF-45-3M③	1"	FF 45°	3-3/8"	2-11/16"	1-5/8"	—
FF-45-6①	FF-45-6M③	2"	FF 45°	4-3/4"	3-7/8"	2-1/4"	—
FF-45-8①	FF-45-8M③	3"	FF 45°	5-1/4"	5-17/64"	2-17/64"	—
MF-90-1①	MF-90-1M③	1/2"	MF 90°	2-7/32"	2"	1-3/8"	1-1/16"
MF-90-2①	MF-90-2M③	3/4"	MF 90°	2-1/2"	2-1/4"	1-1/2"	1-1/16"
MF-45-1①	MF-45-1M③	1/2"	MF 45°	2-35/64"	1-55/64"	1-1/8"	1-1/16"
MF-45-2①	MF-45-2M③	3/4"	MF 45°	2-3/4"	2"	1-9/32"	1-1/16"
MM-90-1①	MM-90-1M③	1/2"	MM 90°	2-15/32"	2-15/32"	1-49/64"	1-1/16"
MM-90-2①	MM-90-2M③	3/4"	MM 90°	2-5/8"	2-5/8"	1-57/64"	1-1/16"
BL-90-1①	BL-90-1M③	1/2"	BL 90°	2-1/4"	2-3/8"	1-7/8"	1-3/4"
BL-90-2①	BL-90-2M③	3/4"	BL 90°	2-5/8"	3"	2-1/8"	2-1/4"
BL-90-3①	BL-90-3M③	1"	BL 90°	2-1/4"	3-7/16"	2-5/8"	2-1/2"

CAPPED ELBOWS							
CATALOG NUMBER		HUB SIZE	TYPE	A	B	C	D
ALUMINUM	IRON						
Y-1①	Y-1M④	1/2"	90°	2-7/8"	2-3/4"	1-7/8"	—
Y-2①	Y-2M④	3/4"	90°	3-1/16"	3-3/4"	2-1/8"	—
Y-3①	Y-3M④	1"	90°	4"	3-1/4"	2-5/8"	—
Y-4①	Y-4M④	1-1/4"	90°	5-1/16"	4-1/8"	3-7/8"	—
Y-5①	Y-5M④	1-1/2"	90°	5-1/16"	4-1/4"	3-7/8"	—

SWIVEL ELBOWS							
CATALOG NUMBER		HUB SIZE	TYPE	A	B	C	D
ALUMINUM	IRON						
GUFS-1②	GUFS-1M③	1/2"	180°	4-1/2"	2-1/4"	—	—
GUFS-2②	GUFS-2M③	3/4"	180°	4-1/2"	2-1/4"	—	—
GUMFS-1②	GUMFS-1M③	1/2"	180°	5-1/8"	2-1/4"	—	—
GUMFS-2②	GUMFS-2M③	3/4"	180°	5-1/4"	2-1/4"	—	—

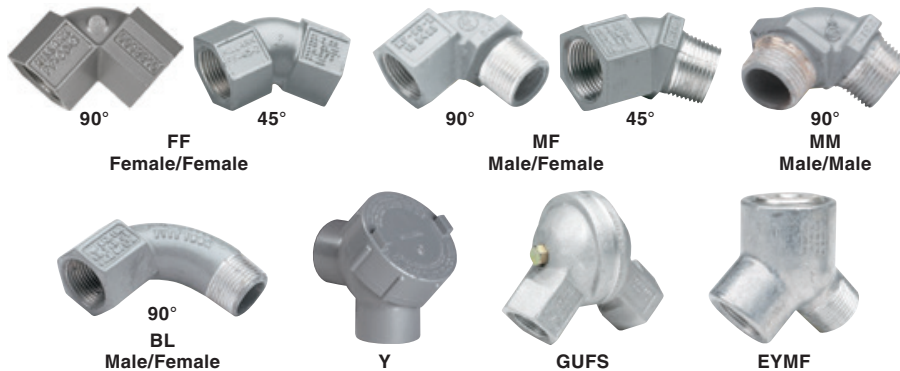
90° PLUGGED ELBOWS							
CATALOG NUMBER		HUB SIZE	TYPE	A	B	C	D
ALUMINUM	IRON						
EYMF-1②	—	1/2"	90°	2-5/8"	2-5/8"	1-3/8"	1-3/8"
EYMF-2②	—	3/4"	90°	2-3/4"	2-3/4"	1-1/2"	1-1/2"

- ① Copper-free aluminum - Electrostatically applied powder coating
- ② Aluminum - Natural finish
- ③ Iron - Zinc electroplate
- ④ Iron - Duraloy finish
- ⑤ Furnished with 1" close-up plug in top.

For ATEX and IEC Ex certified Elbows, see following page.



ELBOWS – ATEX/IEC Ex CERTIFIED



Global Listings
ATEX / IEC Ex Certified
 File nos. **ITS09ATEX16417U**
IECEXITS09.0024U
 IIG2
 Ex d IIC



UL LISTED File No. E 10514

SP Certified File No. LR11716

Class I, Div. 1 & 2, Groups C, D
Class II, Div. 1 & 2, Groups E, F, G
Class III

FEATURES-SPECIFICATIONS

Applications

- Elbows: To change direction in rigid or IMC conduit systems
- Capped Elbows: To change direction 90° in rigid or IMC conduit systems where space is limited and access is needed for pulling conductors or maintenance
- Swivel Elbows: Allows conduit to be joined at angles ranging between 90° to 180°. A screwdriver is the only tool needed
- 90° Plugged Elbows: To change direction 90° in rigid or IMC conduit systems where space is limited and access is needed for pulling conductors or maintenance

Features

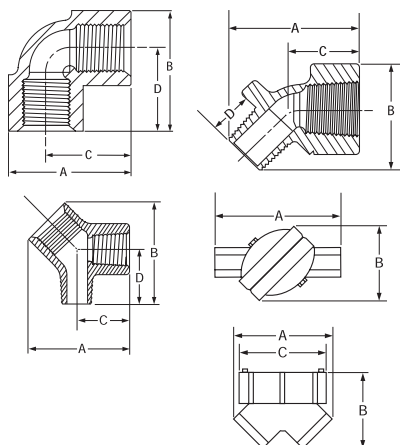
- Threaded for rigid conduit or IMC
- Smooth integral bushings to prevent damage to wires

Material/Finish

Copper-free Aluminum
 (less than 4/10 of 1%)

- Electrostatically applied powder coating

Iron Zinc electro-plate



ELBOWS - QUAD LISTED

CATALOG NUMBER		HUB SIZE	TYPE	A	B	C	D
ALUMINUM	IRON						
FF-90-1-EX	FF-90-1M-EX	1/2"	FF 90°	2"	2"	1-3/8"	1-3/8"
FF-90-2-EX	FF-90-2M-EX	3/4"	FF 90°	2-1/4"	2-1/4"	1-1/2"	1-1/2"
FF-90-3-EX	FF-90-3M-EX	1"	FF 90°	2-15/16"	2-15/16"	2"	2"
FF-45-1-EX	FF-45-1M-EX	1/2"	FF 45°	2-3/8"	2"	1-1/8"	—
FF-45-2-EX	FF-45-2M-EX	3/4"	FF 45°	2-11/16"	2-3/16"	1-1/4"	—
FF-45-3-EX	FF-45-3M-EX	1"	FF 45°	3-3/8"	2-11/16"	1-5/8"	—
FF-45-6-EX	FF-45-6M-EX	2"	FF 45°	4-3/4"	3-7/8"	2-1/4"	—
FF-45-8-EX	FF-45-8M-EX	3"	FF 45°	5-1/4"	5-17/64"	2-17/64"	—
MF-90-1-EX	MF-90-1M-EX	1/2"	MF 90°	2-7/32"	2"	1-3/8"	1-1/16"
MF-90-2-EX	MF-90-2M-EX	3/4"	MF 90°	2-1/2"	2-1/4"	1-1/2"	1-1/16"
MF-45-1-EX	MF-45-1M-EX	1/2"	MF 45°	2-35/64"	1-55/64"	1-1/8"	1-1/16"
MF-45-2-EX	MF-45-2M-EX	3/4"	MF 45°	2-3/4"	2"	1-9/32"	1-1/16"
MM-90-1-EX	MM-90-1M-EX	1/2"	MM 90°	2-15/32"	2-15/32"	1-49/64"	1-1/16"
MM-90-2-EX	MM-90-2M-EX	3/4"	MM 90°	2-5/8"	2-5/8"	1-57/64"	1-1/16"
BL-90-1-EX	BL-90-1M-EX	1/2"	BL 90°	2-1/4"	2-3/8"	1-7/8"	1-3/4"
BL-90-2-EX	BL-90-2M-EX	3/4"	BL 90°	2-5/8"	3"	2-1/8"	2-1/4"
BL-90-3-EX	BL-90-3M-EX	1"	BL 90°	2-1/4"	3-7/16"	2-5/8"	2-1/2"

CAPPED ELBOWS

CATALOG NUMBER		HUB SIZE	TYPE	A	B	C	D
ALUMINUM	IRON						
Y-1-EX	Y-1M-EX	1/2"	90°	2-7/8"	2-3/4"	1-7/8"	—
Y-2-EX	Y-2M-EX	3/4"	90°	3-1/16"	3-3/4"	2-1/8"	—
Y-3-EX	Y-3M-EX	1"	90°	4"	3-1/4"	2-5/8"	—
Y-4-EX	Y-4M-EX	1-1/4"	90°	5-1/16"	4-1/8"	3-7/8"	—
Y-5-EX	Y-5M-EX	1-1/2"	90°	5-1/16"	4-1/4"	3-7/8"	—

SWIVEL ELBOWS

CATALOG NUMBER		HUB SIZE	TYPE	A	B	C	D
ALUMINUM	IRON						
GUFS-1-EX	GUFS-1M-EX	1/2"	180°	4-1/2"	2-1/4"	—	—
GUFS-2-EX	GUFS-2M-EX	3/4"	180°	4-1/2"	2-1/4"	—	—
GUMFS-1-EX	GUMFS-1M-EX	1/2"	180°	5-1/8"	2-1/4"	—	—
GUMFS-2-EX	GUMFS-2M-EX	3/4"	180°	5-1/4"	2-1/4"	—	—

90° PLUGGED ELBOWS

CATALOG NUMBER		HUB SIZE	TYPE	A	B	C	D
ALUMINUM	IRON						
EYMF-1-EX	—	1/2"	90°	2-5/8"	2-5/8"	1-3/8"	1-3/8"
EYMF-2-EX	—	3/4"	90°	2-3/4"	2-3/4"	1-1/2"	1-1/2"

① Copper-free aluminum - Electrostatically applied powder coating

② Aluminum - Natural finish

③ Iron - Zinc electroplate

④ Iron - Duraloy finish

⑤ Furnished with 1" close-up plug in top.



FITTINGS

BRONZE FLEXIBLE COUPLINGS



Class I, Div. 1 & 2, Groups A,B,C,D
Class I, Zone 1, Groups IIC, IIB, IIA
Class II, Div. 1 & 2, Groups E,F,G
Class III
Raintight

LISTED - File E10514

Certified - File LR11716

See files for details or call Killark.

FEATURES-SPECIFICATIONS

Applications

For use in hazardous areas where movement or vibration requires a flexible connection or a difficult bend is required in a conduit system.

Features

- Bronze flexible metal construction
- An inner liner of asphaltum impregnated jute fibre tubing to protect conductors
- Female ends with removable zinc plated steel nipples standard on all couplings
- Union type couplings may be assembled by adding a GUF Series union to the nipple
- Special lengths available-consult factory
- All 1/2", 3/4" & 1" EKJ couplings are furnished with a setscrew (for use as a fixture hanging coupling)

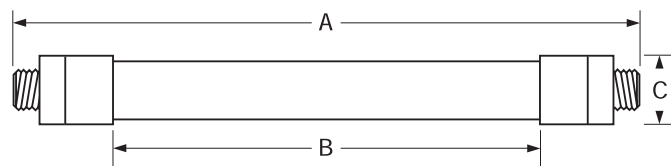
① ECF & EKJ 1/2" and 3/4" couplings suitable for Class I, Groups A, B, C, D Class I, Zone 1, Groups IIC, IIB, IIA EKJ 1" thru 2" and E C F 1" couplings suitable for Class I, Groups C, D. Class I, Zone 1, Groups IIB, IIA All ECF and EKJ are suitable for Class II and III.

For ATEX and IEC Ex certified Flexible Couplings, see page F86.

ECF/EKJ FLEXIBLE COUPLINGS					
CATALOG NUMBER		DESCRIPTION			
ECF SERIES	EKJ SERIES	CONDUIT SIZE	A OVERALL LENGTH	B FLEX. LENGTH	C DIA.
ECF-14	EKJ-14	1/2"	8-13/16"	4"	1-5/16"
ECF-16	EKJ-16	1/2"	10-13/16"	6"	1-5/16"
ECF-18	EKJ-18	1/2"	12-13/16"	8"	1-5/16"
ECF-110	EKJ-110	1/2"	14-13/16"	10"	1-5/16"
ECF-112	EKJ-112	1/2"	16-13/16"	12"	1-5/16"
ECF-115	EKJ-115	1/2"	19-13/16"	15"	1-5/16"
ECF-118	EKJ-118	1/2"	22-13/16"	18"	1-5/16"
ECF-121	—	1/2"	25-13/16"	21"	1-5/16"
ECF-124	—	1/2"	28-13/16"	24"	1-5/16"
ECF-130	—	1/2"	34-13/16"	30"	1-5/16"
ECF-136	—	1/2"	40-13/16"	36"	1-5/16"
ECF-24	EKJ-24	3/4"	8-3/4"	4"	1-5/8"
ECF-26	EKJ-26	3/4"	10-3/4"	6"	1-5/8"
ECF-28	EKJ-28	3/4"	12-3/4"	8"	1-5/8"
ECF-210	EKJ-210	3/4"	14-3/4"	10"	1-5/8"
ECF-212	EKJ-212	3/4"	16-3/4"	12"	1-5/8"
ECF-215	EKJ-215	3/4"	19-3/4"	15"	1-5/8"
ECF-218	EKJ-218	3/4"	22-3/4"	18"	1-5/8"
ECF-221	—	3/4"	25-3/4"	21"	1-5/8"
ECF-224	—	3/4"	28-3/4"	24"	1-5/8"
ECF-230	—	3/4"	34-3/4"	30"	1-5/8"
ECF-236	—	3/4"	40-3/4"	36"	1-5/8"
ECF-36	EKJ-36	1"	11-3/4"	6"	1-15/16"
ECF-38	EKJ-38	1"	13-3/4"	8"	1-15/16"
ECF-310	EKJ-310	1"	15-3/4"	10"	1-15/16"
ECF-312	EKJ-312	1"	17-3/4"	12"	1-15/16"
ECF-315	EKJ-315	1"	20-3/4"	15"	1-15/16"
ECF-318	EKJ-318	1"	23-3/4"	18"	1-15/16"
ECF-321	EKJ-321	1"	26-3/4"	21"	1-15/16"
ECF-324	EKJ-324	1"	29-3/4"	24"	1-15/16"
ECF-330	EKJ-330	1"	35-3/4"	30"	1-15/16"
ECF-336	EKJ-336	1"	41-3/4"	36"	1-15/16"

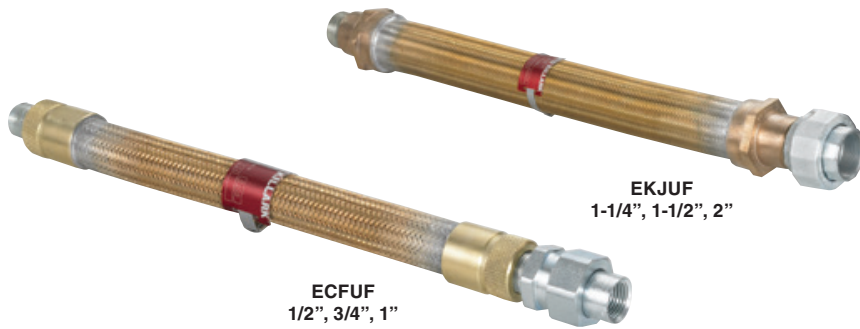
ECF/EKJ FLEXIBLE COUPLINGS				
CAT. NO.	DESCRIPTION			
EKJ SERIES	CONDUIT SIZE	A OVERALL LENGTH	B FLEX. LENGTH	C DIA.
EKJ-412	1-1/4"	18-5/8"	12"	2-15/16"
EKJ-415	1-1/4"	21-5/8"	15"	2-15/16"
EKJ-418	1-1/4"	24-5/8"	18"	2-15/16"
EKJ-421	1-1/4"	27-5/8"	21"	2-15/16"
EKJ-424	1-1/4"	30-5/8"	24"	2-15/16"
EKJ-430	1-1/4"	36-5/8"	30"	2-15/16"
EKJ-436	1-1/4"	42-5/8"	36"	2-15/16"
EKJ-512	1-1/2"	18-15/16"	12"	3-21/32"
EKJ-515	1-1/2"	21-15/16"	15"	3-21/32"
EKJ-518	1-1/2"	24-15/16"	18"	3-21/32"
EKJ-521	1-1/2"	27-15/16"	21"	3-21/32"
EKJ-524	1-1/2"	30-15/16"	24"	3-21/32"
EKJ-530	1-1/2"	36-15/16"	30"	3-21/32"
EKJ-536	1-1/2"	42-15/16"	36"	3-21/32"
EKJ-612	2"	19-5/16"	12"	4-9/64"
EKJ-615	2"	22-5/16"	15"	4-9/64"
EKJ-618	2"	25-5/16"	18"	4-9/64"
EKJ-624	2"	31-5/16"	24"	4-9/64"
EKJ-630	2"	37-5/16"	30"	4-9/64"
EKJ-636	2"	43-5/16"	36"	4-9/64"

MINIMUM BEND RADIUS						
SERIES	1/2"	3/4"	1"	1-1/4"	1-1/2"	2"
ECF	10"	12"	14"	—	—	—
EKJ	10"	12"	14"	14"	16"	18"





BRONZE FLEXIBLE COUPLINGS WITH FEMALE STEEL UNION



ECFUF
1/2", 3/4", 1"

EKJUF
1-1/4", 1-1/2", 2"

Class I, Div. 1 & 2, Groups A,B,C,D^①
 Class I, Zone 1, Groups IIC, IIB, IIA
 Class II, Div. 1 & 2, Groups E,F,G
 Class III
 Raintight

UL LISTED - File E10514

SP Certified - File LR11716

See files for details or call Killark.

FEATURES-SPECIFICATIONS

Applications

For use in hazardous areas where movement or vibration requires a flexible connection or a difficult bend is required in a conduit system.

Features

- Bronze flexible metal construction
- An inner liner of asphaltum impregnated jute fibre tubing to protect conductors
- Provided with one zinc plated steel nipple and one zinc plated steel female union
- Special lengths available – consult factory

1/2" and 3/4" couplings suitable for:

- Class I, Groups A,B,C,D Class I, Zone 1, Groups IIC, IIB, IIA.
- 1" couplings suitable for:
 Class I, Groups C,D. Class I, Zone 1, Groups IIB, IIA

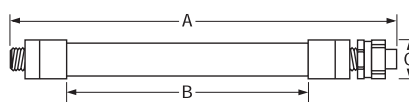
① All ECF/EKJ couplings are suitable for: Class II and III.

For ATEX and IEC Ex certified Flexible Couplings, see page F86.

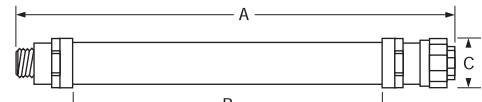
ECF/EKJ FLEXIBLE COUPLINGS				
CAT. NO.	CONDUIT SIZE	DESCRIPTION		
		A OVERALL LENGTH	B FLEX. LENGTH	C DIA.
ECFUF-14	1/2"	10-1/8" (257)	4" (102)	1-1/2" (38)
ECFUF-16	1/2"	12-1/8" (310)	6" (152)	1-1/2" (38)
ECFUF-18	1/2"	14-1/8" (359)	8" (203)	1-1/2" (38)
ECFUF-110	1/2"	16-1/8" (410)	10" (254)	1-1/2" (38)
ECFUF-112	1/2"	18-1/8" (460)	12" (305)	1-1/2" (38)
ECFUF-115	1/2"	21-1/8" (537)	15" (381)	1-1/2" (38)
ECFUF-118	1/2"	24-1/8" (613)	18" (457)	1-1/2" (38)
ECFUF-121	1/2"	27-1/8" (689)	21" (533)	1-1/2" (38)
ECFUF-124	1/2"	30-1/8" (765)	24" (610)	1-1/2" (38)
ECFUF-130	1/2"	36-1/8" (918)	30" (762)	1-1/2" (38)
ECFUF-136	1/2"	42-1/8" (1070)	36" (914)	1-1/2" (38)
ECFUF-24	3/4"	10-1/4" (260)	4" (102)	1-3/4" (44)
ECFUF-26	3/4"	12-1/4" (311)	6" (152)	1-3/4" (44)
ECFUF-28	3/4"	14-1/4" (362)	8" (203)	1-3/4" (44)
ECFUF-210	3/4"	16-1/4" (413)	10" (254)	1-3/4" (44)
ECFUF-212	3/4"	18-1/4" (464)	12" (305)	1-3/4" (44)
ECFUF-215	3/4"	21-1/4" (540)	15" (381)	1-3/4" (44)
ECFUF-218	3/4"	24-1/4" (616)	18" (457)	1-3/4" (44)
ECFUF-221	3/4"	27-1/4" (692)	21" (533)	1-3/4" (44)
ECFUF-224	3/4"	30-1/4" (768)	24" (610)	1-3/4" (44)
ECFUF-230	3/4"	36-1/4" (921)	30" (762)	1-3/4" (44)
ECFUF-236	3/4"	42-1/4" (1073)	36" (914)	1-3/4" (44)
ECFUF-36	1"	13-3/16" (335)	6" (102)	2" (51)
ECFUF-38	1"	15-3/16" (386)	8" (152)	2" (51)
ECFUF-310	1"	17-3/16" (437)	10" (254)	2" (51)
ECFUF-312	1"	19-3/16" (487)	12" (305)	2" (51)
ECFUF-315	1"	22-3/16" (564)	15" (381)	2" (51)
ECFUF-318	1"	25-3/16" (640)	18" (457)	2" (51)
ECFUF-321	1"	28-3/16" (716)	21" (533)	2" (51)
ECFUF-324	1"	31-3/16" (792)	24" (610)	2" (51)
ECFUF-330	1"	37-3/16" (945)	30" (762)	2" (51)
ECFUF-336	1"	43-3/16" (1097)	36" (914)	2" (51)

ECF/EKJ FLEXIBLE COUPLINGS				
CAT. NO.	CONDUIT SIZE	DESCRIPTION		
		A OVERALL LENGTH	B FLEX. LENGTH	C DIA.
EKJUF-412	1-1/4"	20-1/4" (514)	12" (305)	2-7/8" (73)
EKJUF-415	1-1/4"	21-1/4" (591)	15" (381)	2-7/8" (73)
EKJUF-418	1-1/4"	24-1/4" (667)	18" (457)	2-7/8" (73)
EKJUF-421	1-1/4"	27-1/4" (743)	21" (533)	2-7/8" (73)
EKJUF-424	1-1/4"	30-1/4" (819)	24" (610)	2-7/8" (73)
EKJUF-430	1-1/4"	36-1/4" (972)	30" (762)	2-7/8" (73)
EKJUF-436	1-1/4"	42-1/4" (1124)	36" (914)	2-7/8" (73)
EKJUF-512	1-1/2"	21-15/16" (557)	12" (305)	3-21/32" (93)
EKJUF-515	1-1/2"	24-15/16" (633)	15" (381)	3-21/32" (93)
EKJUF-518	1-1/2"	27-15/16" (710)	18" (457)	3-21/32" (93)
EKJUF-521	1-1/2"	30-15/16" (786)	21" (533)	3-21/32" (93)
EKJUF-524	1-1/2"	33-15/16" (862)	24" (610)	3-21/32" (93)
EKJUF-530	1-1/2"	39-15/16" (1014)	30" (762)	3-21/32" (93)
EKJUF-536	1-1/2"	45-15/16" (1167)	36" (914)	3-21/32" (93)
EKJUF-612	2"	21-9/16" (548)	12" (305)	4-9/64" (105)
EKJUF-615	2"	24-9/16" (624)	15" (381)	4-9/64" (105)
EKJUF-618	2"	27-9/16" (700)	18" (457)	4-9/64" (105)
EKJUF-624	2"	33-9/16" (852)	24" (610)	4-9/64" (105)
EKJUF-630	2"	39-9/16" (1005)	30" (762)	4-9/64" (105)
EKJUF-636	2"	45-9/16" (1157)	36" (914)	4-9/64" (105)

MINIMUM BEND RADIUS						
SERIES	1/2"	3/4"	1"	1-1/4"	1-1/2"	2"
ECF	10"	12"	14"	-	-	-
EKJ	10"	12"	14"	14"	16"	18"



ECFUF 1/2", 3/4", 1"

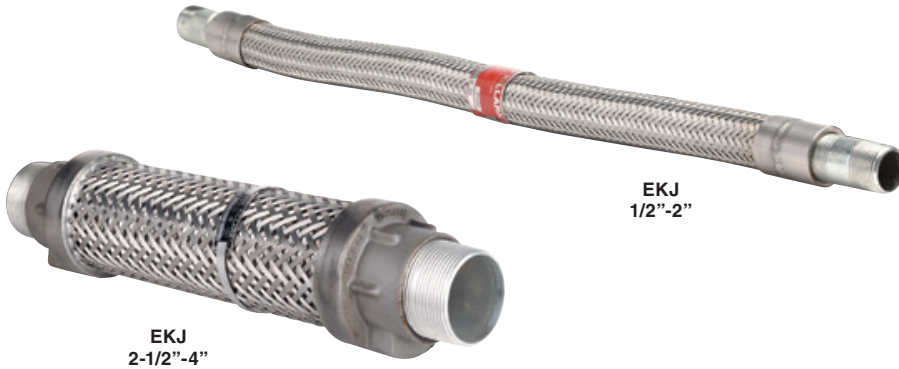


EKJUF 1-1/4", 1-1/2", 2"



FITTINGS

STAINLESS STEEL FLEXIBLE COUPLINGS



EKF
1/2"-2"

EKJ
2-1/2"-4"

Class I, Div. 1 & 2, Groups D
Class I, Zone 1, Group IIA
Class II, Div. 1 & 2, Groups E, F, G
Class III

Contact KILLARK® for Certification Information

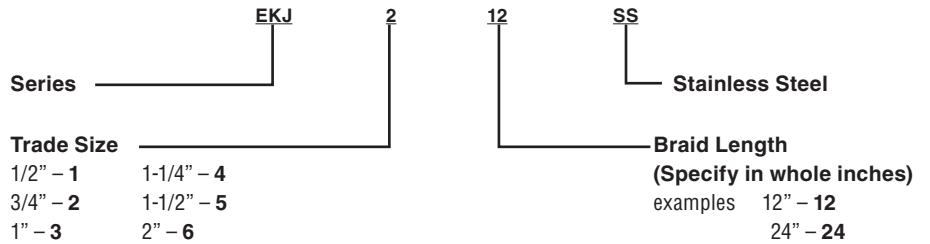
FEATURES-SPECIFICATIONS

Features

- Available in custom lengths. See catalog logic to order
- Stainless steel wirebraid construction
- Annular corrugated seamless hose
- Cast in ribs for easy installation
- 1/2" – 2" sizes furnished with two zinc plated steel nipples
- 2-1/2" – 4" sizes furnished with two aluminum nipples

Catalog Number Logic

Sizes 1/2" Thru 2"

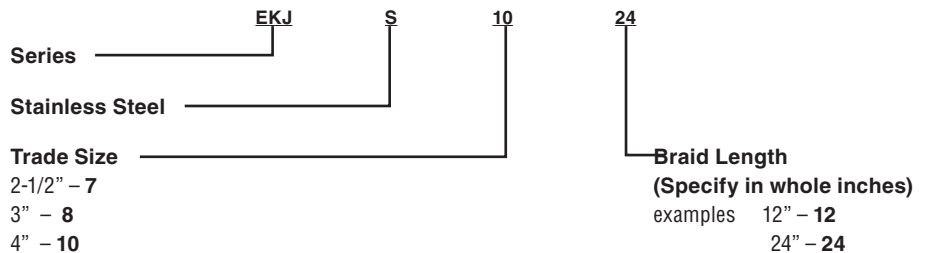


For ATEX and IEC Ex certified Flexible Couplings, see following page

Ordering Example - EKJ-212 SS

(3/4" trade size, 24" length)

Sizes 2-1/2" Thru 4"



Ordering Example - EKJS-1024

(4" trade size, 24" length)



EKJ SERIES

KILLARK

STAINLESS STEEL FLEXIBLE COUPLINGS – ATEX/IEC Ex CERTIFIED



EKJ-211SS-EX

Global Listings

ATEX / IEC Ex Certified

IECEX SIR 10.0057U
SIRA 10ATEX11068U 0539

Ex II 2GD

Ex d IIC Gb, Ex t IIIC Db IP66

Class I, Div. 1 & 2, Groups A,B,C, D

Class I, Zone 1, Groups IIB, IIA

Class II, Div. 1 & 2, Groups E, F, G

Class III



FEATURES-SPECIFICATIONS

Applications

For use in hazardous areas where movement or vibration requires a flexible connection or a difficult bend is required in a conduit system

Features

- Stainless Steel flexible metal construction
- NPT male fitting (316SS) welded to each end
- Outer Braid (304SS) with inner flex hose of 321SS
- Inner liner of silicone coated fabric

MINIMUM BEND RADIUS						
SERIES	1/2"	3/4"	1"	1-1/4"	1-1/2"	2"
ECF	10"	12"	14"	-	-	-
EKJ	10"	12"	14"	14"	16"	18"

EKJ FLEXIBLE COUPLINGS - QUAD LISTED				
CATALOG NUMBER	CONDUIT SIZE	OVERALL LENGTH A	FLEXIBLE LENGTH B	DIAMETER C
EKJ-14SS-EX	1/2"	8-9/64" (207)	4" (102)	1-1/8" (34)
EKJ-18SS-EX	1/2"	12-9/64" (308)	8" (203)	1-1/8" (34)
EKJ-112SS-EX	1/2"	16-9/64" (410)	12" (305)	1-1/8" (34)
EKJ-116SS-EX	1/2"	20-9/64" (512)	16" (406)	1-1/8" (34)
EKJ-120SS-EX	1/2"	24-9/64" (613)	20" (508)	1-1/8" (34)
EKJ-124SS-EX	1/2"	28-9/64" (715)	24" (610)	1-1/8" (34)
EKJ-128SS-EX	1/2"	32-9/64" (816)	28" (711)	1-1/8" (34)
EKJ-132SS-EX	1/2"	36-9/64" (918)	32" (813)	1-1/8" (34)
EKJ-136SS-EX	1/2"	40-9/64" (1020)	36" (914)	1-1/8" (34)
EKJ-27SS-EX	3/4"	11-1/2" (292)	7" (178)	1-11/16" (43)
EKJ-211SS-EX	3/4"	15-1/2" (394)	11" (279)	1-11/16" (43)
EKJ-215SS-EX	3/4"	19-1/2" (495)	15" (381)	1-11/16" (43)
EKJ-219SS-EX	3/4"	23-1/2" (597)	19" (483)	1-11/16" (43)
EKJ-223SS-EX	3/4"	27-1/2" (699)	23" (584)	1-11/16" (43)
EKJ-227SS-EX	3/4"	31-1/2" (800)	27" (686)	1-11/16" (43)
EKJ-231SS-EX	3/4"	35-1/2" (902)	31" (788)	1-11/16" (43)
EKJ-235SS-EX	3/4"	39-1/2" (1003)	35" (889)	1-11/16" (43)
EKJ-37SS-EX	1"	12" (305)	7" (178)	2" (50)
EKJ-311SS-EX	1"	16" (406)	11" (279)	2" (50)
EKJ-315SS-EX	1"	20" (508)	15" (381)	2" (50)
EKJ-319SS-EX	1"	24" (610)	19" (483)	2" (50)
EKJ-323SS-EX	1"	28" (711)	23" (584)	2" (50)
EKJ-327SS-EX	1"	32" (813)	27" (686)	2" (50)
EKJ-331SS-EX	1"	36" (914)	31" (788)	2" (50)
EKJ-335SS-EX	1"	40" (1016)	35" (889)	2" (50)
EKJ-513SS-EX	1-1/2"	18-1/8" (460)	13" (330)	2-25/32" (71)
EKJ-517SS-EX	1-1/2"	23-1/8" (587)	17" (432)	2-25/32" (71)
EKJ-521SS-EX	1-1/2"	27-1/8" (689)	21" (533)	2-25/32" (71)
EKJ-525SS-EX	1-1/2"	31-1/8" (791)	25" (635)	2-25/32" (71)
EKJ-529SS-EX	1-1/2"	35-1/8" (892)	29" (737)	2-25/32" (71)
EKJ-533SS-EX	1-1/2"	39-1/8" (994)	33" (838)	2-25/32" (71)
EKJ-614SS-EX	2"	21-17/64" (540)	14" (356)	3-19/32" (91)
EKJ-618SS-EX	2"	25-17/64" (642)	18" (457)	3-19/32" (91)
EKJ-622SS-EX	2"	29-17/64" (743)	22" (559)	3-19/32" (91)
EKJ-626SS-EX	2"	33-17/64" (845)	26" (660)	3-19/32" (91)
EKJ-630SS-EX	2"	37-17/64" (947)	30" (762)	3-19/32" (91)
EKJ-634SS-EX	2"	41-17/64" (1048)	34" (864)	3-19/32" (91)
EKJ-724SS-EX	2-1/2"	31-1/2" (800)	24" (610)	3-7/8" (98)
EKJ-728SS-EX	2-1/2"	35-1/2" (902)	28" (711)	3-7/8" (98)
EKJ-732SS-EX	2-1/2"	39-1/2" (1003)	32" (813)	3-7/8" (98)





FITTINGS

LIQUIDTIGHT CONNECTORS

LISTED - File E22699

Certified - File LR70873
See files for details or call Killark.



K2001



K0751-MG

FEATURES-SPECIFICATIONS LIQUIDTIGHT®

Applications

Use with metallic and non-metallic conduit to seal out water, oil and dust in applications for food processors, beverage & chemical plants, plastics fabricators, machine shops, etc.

Liquidtight connectors are also suitable for use in hazardous locations per National Electrical Code (Articles 501-4(b), 502-4(a&b), 503-3(a&b)). Consult these articles for sealing requirements that may apply.

Liquidtight mesh grips provide a liquidtight seal and enhanced strain relief in flexible liquidtight conduit applications.

Features

- Split nylon gland ring – split for easy installation and greater compression
- Digging locknut
- Sealing 'O'-rings included
- Reusable

Materials/Finish

- Steel/malleable iron
- Zinc electro-plated

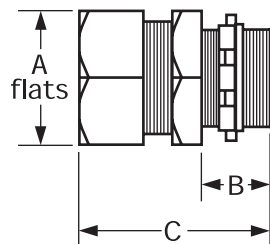
Mesh Grips

- Stainless steel mesh grips are corrosion resistant and prevent conduit pull-out in high stress installations

K LIQUIDTIGHT CONNECTORS – STRAIGHT					
CATALOG NUMBER	NPT SIZE	CONNECTOR STYLE	DIMENSIONS		
			A	B	C
K038	3/8"	Straight non-insulated	1-7/16"	19/32"	1-1/16"
K050	1/2"	Straight non-insulated	1-7/16"	19/32"	1-13/16"
K075	3/4"	Straight non-insulated	1-9/16"	19/32"	1-3/8"
K100	1"	Straight non-insulated	1-11/16"	21/32"	1-11/16"
K125	1-1/4"	Straight non-insulated	2-1/32"	11/16"	2-1/16"
K150	1-1/2"	Straight non-insulated	2-7/32"	11/16"	2-3/8"
K200	2"	Straight non-insulated	2-9/32"	23/32"	2-7/8"
K250	2-1/2"	Straight non-insulated	3-1/2"	1"	3-5/8"
K300	3"	Straight non-insulated	3-3/4"	1"	4-5/16"
K350	3-1/2"	Straight non-insulated	3-3/4"	1"	4-3/4"
K400	4"	Straight non-insulated	3-3/4"	1"	5-5/16"
K0381*	3/8"	Straight insulated	1-7/16"	21/32"	1-1/16"
K0501*	1/2"	Straight insulated	1-7/16"	21/32"	1-3/16"
K0751*	3/4"	Straight insulated	1-5/8"	21/32"	1-3/8"
K1001*	1"	Straight insulated	1-3/4"	23/32"	1-11/16"
K1251*	1-1/4"	Straight insulated	2-3/32"	3/4"	2-1/16"
K1501*	1-1/2"	Straight insulated	2-9/32"	3/4"	2-3/8"
K2001*	2"	Straight insulated	2-11/32"	25/32"	2-7/8"
K2501*	2-1/2"	Straight insulated	3-1/2"	1"	3-5/8"
K3001*	3"	Straight insulated	3-3/4"	1"	4-5/16"
K3501	3-1/2"	Straight insulated	3-3/4"	1"	4-3/4"
K4001*	4"	Straight insulated	3-3/4"	1"	5-5/16"

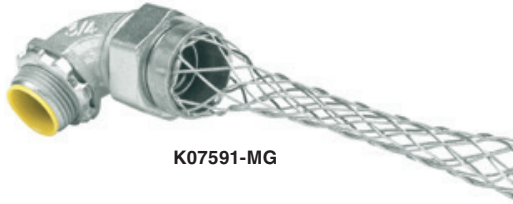
* For mesh grip, add - MG to Catalog Number. Example **K0381-MG**.

Dimensions

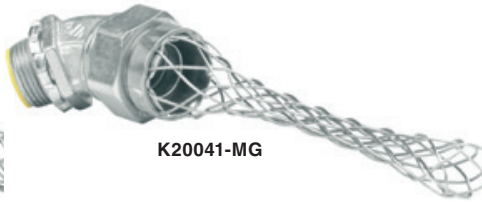




LIQUIDTIGHT CONNECTORS



K07591-MG



K20041-MG



K0759
90° Non-Insulated



K07591
90° Insulated



K2004
45° Non-Insulated



K20041
45° Insulated

UL LISTED - File E22699

SP Certified - File LR70873
See files for details or call Killark.

FEATURES-SPECIFICATIONS
LIQUIDTIGHT®

Applications

Use with metallic and non-metallic conduit to seal out water, oil and dust in applications for food processors, beverage & chemical plants, plastics fabricators, machine shops, etc.

Liquidtight connectors are also suitable for use in hazardous locations per National Electrical Code (Articles 501-4(b), 502-4(a&b), 503-3(a&b)). Consult these articles for sealing requirements that may apply.

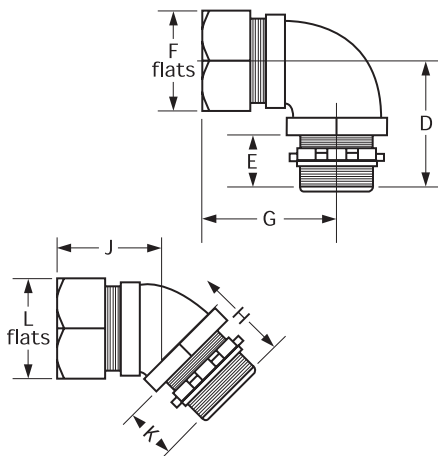
Features

- Split nylon gland ring – split for easy installation and greater compression
- Digging locknut
- Sealing 'O'-rings included
- Reusable

Materials/Finish

- Steel/malleable iron
- Zinc electro-plated

Dimensions



K LIQUIDTIGHT CONNECTORS – 90° BEND

CATALOG NUMBER	NPT SIZE	CONNECTOR STYLE	DIMENSIONS			
			D	E	F	G
K0389	3/8"	90° non-insulated	1-1/2"	5/8"	1"	1-3/4"
K0509	1/2"	90° non-insulated	1-1/2"	5/8"	1-1/8"	1-3/4"
K0759	3/4"	90° non-insulated	1-19/32"	5/8"	1-3/8"	1-15/16"
K1009	1"	90° non-insulated	1-3/16"	5/8"	1-5/8"	2-3/16"
K1259	1-1/4"	90° non-insulated	2"	11/16"	2-1/16"	2-9/16"
K1509	1-1/2"	90° non-insulated	2-3/16"	11/16"	2-3/8"	3"
K2009	2"	90° non-insulated	2-17/32"	23/32"	2-7/8"	3-5/8"
K2509**	2-1/2"	90° non-insulated	3-3/8"	1"	3-5/8"	4-1/4"
K3009	3"	90° non-insulated	3-11/16"	1"	4-5/16"	4-7/8"
K4009	4"	90° non-insulated	4-3/16"	1"	5-5/16"	5-5/8"
K03891*	3/8"	90° Insulated	1-9/16"	11/16"	1"	1-3/4"
K05091*	1/2"	90° Insulated	1-9/16"	11/16"	1-1/8"	1-3/4"
K07591*	3/4"	90° Insulated	1-21/32"	11/16"	1-3/8"	1-15/16"
K10091*	1"	90° Insulated	1-7/8"	11/16"	1-5/8"	2-3/16"
K12591*	1-1/4"	90° Insulated	2-1/16"	3/4"	2-1/16"	2-9/16"
K15091*	1-1/2"	90° Insulated	2-1/4"	3/4"	2-3/8"	3"
K20091*	2"	90° Insulated	2-19/32"	25/32"	2-7/8"	3-5/8"
K25091*	2-1/2"	90° Insulated	3-3/8"	1"	3-5/8"	4-1/4"
K30091*	3"	90° Insulated	3-11/16"	1"	4-5/16"	4-7/8"
K40091*	4"	90° Insulated	4-3/16"	1"	5-5/16"	5-5/8"

K LIQUIDTIGHT CONNECTORS – 45° BEND

CATALOG NUMBER	NPT SIZE	CONNECTOR STYLE	DIMENSIONS			
			H	J	K	L
K0384	3/8"	45° non-insulated	1-5/32"	1-9/32"	19/32"	1"
K0504	1/2"	45° non-insulated	1-5/32"	1-9/32"	19/32"	1-1/8"
K0754	3/4"	45° non-insulated	1-11/64"	1-7/16"	19/32"	1-3/8"
K1004	1"	45° non-insulated	1-13/32"	1-23/32"	21/32"	1-5/8"
K1254	1-1/4"	45° non-insulated	1-27/64"	2-1/32"	5/8"	2-1/16"
K1504	1-1/2"	45° non-insulated	1-21/32"	1-15/16"	21/32"	2-3/8"
K2004	2"	45° non-insulated	1-11/16"	2-7/16"	21/32"	2-7/8"
K03841*	3/8"	45° Insulated	1-7/32"	1-9/32"	21/32"	1"
K05041*	1/2"	45° Insulated	1-7/32"	1-9/32"	21/32"	1-1/8"
K07541*	3/4"	45° Insulated	1-15/64"	1-7/16"	21/32"	1-3/8"
K10041*	1"	45° Insulated	1-15/32"	1-23/32"	23/32"	1-5/8"
K12541*	1-1/4"	45° Insulated	1-31/64"	2-1/32"	11/16"	2-1/16"
K15041*	1-1/2"	45° Insulated	1-23/32"	1-15/16"	23/32"	2-3/8"
K20041*	2"	45° Insulated	1-3/4"	2-7/16"	23/32"	2-7/8"

* For mesh grip, add -MG to Catalog Number. Example K03891-MG.

** Use K25091 insulated.



FITTINGS

GROUNDED LIQUIDTIGHT CONNECTORS



Straight

90°

45°

UL LISTED - File E152165, E22699

SP Certified - File LR70873
See files for details or call Killark.

FEATURES-SPECIFICATIONS LIQUIDTIGHT®

K Grounding style Application & Installation

Liquidtight Connectors with grounding lug are for use where an external, visible equipment bonding jumper is desired and where permitted by the National Electrical Code. The Code specifies length limitations and that the bonding jumper must be parallel to the conduit itself.

Features

- Lay-in grounding lug
- Fittings are plated steel for excellent durability
- Insulated throat fittings protect conductors from insulation damage

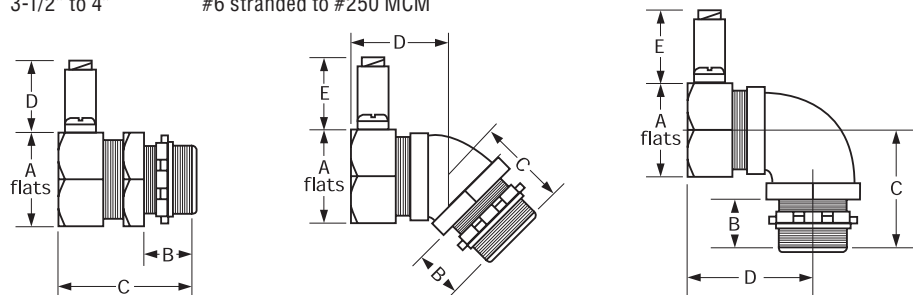
Materials/Finish

- Steel/malleable iron
- Zinc electro-plated

K LIQUIDTIGHT GROUNDING STYLE & MESH GRIPS								
CATALOG NUMBER CONNECTOR ONLY	NPT SIZE	DESC.	DIMENSIONS					
			A	B	C	D	E	
K0381-G	3/8"	Straight Insulated	1-1/16"	19/32"	1-7/16"	25/32"	-	
K0501-G	1/2"		1-3/16"	19/32"	1-7/16"	25/32"	-	
K0751-G	3/4"		1-3/8"	19/32"	1-9/16"	25/32"	-	
K1001-G	1"		1-11/16"	21/32"	1-11/16"	25/32"	-	
K1251-G	1-1/4"		2-1/16"	5/8"	2-1/32"	25/32"	-	
K1501-G	1-1/2"		2-3/8"	5/8"	2-7/32"	25/32"	-	
K2001-G	2"		2-7/8"	21/32"	2-9/32"	25/32"	-	
K2501-G	2-1/2"		3-5/8"	1"	3-1/2"	1-11/64"	-	
K3001-G	3"		4-15/16"	1"	3-3/4"	1-11/64"	-	
K3501-G	3-1/2"		4-3/4"	1"	3-3/4"	1-57/64"	-	
K4001-G	4"	5-5/16"	1"	3-3/4"	1-57/64"	-		
K03891-G	3/8"	90° Insulated	1-1/16"	19/32"	1-5/16"	1-7/16"	25/32"	
K05091-G	1/2"		1-3/16"	19/32"	1-5/16"	1-7/16"	25/32"	
K07591-G	3/4"		1-3/8"	19/32"	1-7/16"	1-5/8"	25/32"	
K10091-G	1"		1-11/16"	21/32"	1-25/32"	2-3/16"	25/32"	
K12591-G	1-1/4"		2-1/16"	5/8"	1-31/32"	2-1/2"	25/32"	
K15091-G	1-1/2"		2-3/8"	5/8"	2-3/16"	2-11/16"	25/32"	
K20091-G	2"		2-7/8"	21/32"	2-17/32"	3-1/4"	25/32"	
K25091-G	2-1/2"		3-5/8"	1"	3-3/8"	4-1/4"	1-11/64"	
K30091-G	3"		4-15/16"	1"	3-11/16"	4-7/8"	1-11/64"	
K40091-G	4"		5-5/16"	1"	4-3/16"	5-5/8"	1-57/64"	
K03841-G	3/8"	45° Insulated	1-1/16"	19/32"	1-3/16"	1-9/32"	25/32"	
K05041-G	1/2"		1-3/16"	19/32"	1-3/16"	1-9/32"	25/32"	
K07541-G	3/4"		1-3/8"	19/32"	1-3/16"	1-7/16"	25/32"	
K10041-G	1"		1-11/16"	21/32"	1-3/8"	1-17/32"	25/32"	
K12541-G	1-1/4"		2-1/16"	5/8"	1-27/64"	1-11/16"	25/32"	
K15041-G	1-1/2"		2-3/8"	5/8"	1-21/32"	2"	25/32"	
K20041-G	2"		2-7/8"	21/32"	1-11/16"	2-1/4"	25/32"	

GROUNDING STYLE Wire Capacity

- | | |
|--------------|----------------------------|
| 3/8" to 2" | #14 solid to #4 Stranded |
| 2-1/2" to 3" | #14 solid to #1/0 Stranded |
| 3-1/2" to 4" | #6 stranded to #250 MCM |





ALUMINUM CORD CONNECTORS



ZS108



Locknut
(See page F92)

Type 4, 4X, 12 & 13

UL LISTED - File E22698

SP Certified - File LR73478
See files for details or call Killark.

FEATURES-SPECIFICATIONS

Applications

Use to secure and seal cords or cables entering enclosures or race-ways.

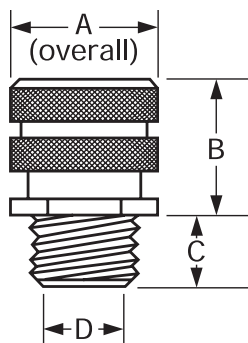
Z Series connectors are also suitable for use in hazardous locations per National Electrical Code (Articles 501-4(b), 502-4(a&b), 503-3(a&b)). Consult these articles for sealing requirements that may apply.

Materials/Finish

- Copper-free aluminum (less than 4/10 of 1%)
- Natural finish

Features

- Aluminum construction resists corrosion
- Neoprene grommet seals out oil and moisture
- Nylon retention ring ensures superior holding power
- Wide range of sizes and configurations



Z CORD CONNECTORS – STRAIGHT							
CATALOG NUMBER	NPT SIZE	CORD RANGES	COLOR CODE	DIMENSIONS			
				A	B	C	D
ZS001	3/8"	.062-.125	Green	.99	.425	.90	.453
ZS002	3/8"	.125-.187	Orange	.99	.425	.90	.453
ZS003	3/8"	.187-.250	Red	.99	.425	.90	.453
ZS004	3/8"	.250-.312	Black	.99	.425	.90	.453
ZS006	3/8"	.312-.375	White	.99	.425	.90	.453
ZS007	3/8"	.375-.437	Blue	.99	.425	.90	.453
ZS101	1/2"	.062-.125	Green	1.13	1.10	.55	.635
ZS102	1/2"	.125-.187	Orange	1.13	1.10	.55	.635
ZS103	1/2"	.187-.250	Red	1.13	1.10	.55	.635
ZS105	1/2"	.250-.375	White	1.13	1.10	.55	.635
ZS108	1/2"	.375-.500	Blue	1.13	1.10	.55	.635
ZS109	1/2"	.500-.625	Brown	1.13	1.10	.55	.635
ZS110*	1/2"	.625-.750	Yellow	1.40	1.50	.55	.635
ZS111*	1/2"	.750-.875	Purple	1.40	1.50	.55	.635
ZS201	3/4"	.062-.125	Green	1.29	1.10	.55	.635
ZS202	3/4"	.125-.187	Orange	1.29	1.10	.55	.635
ZS203	3/4"	.187-.250	Red	1.29	1.10	.55	.635
ZS205	3/4"	.250-.375	White	1.29	1.10	.55	.635
ZS208	3/4"	.375-.500	Blue	1.29	1.10	.55	.635
ZS209	3/4"	.500-.625	Brown	1.29	1.10	.55	.635
ZS210	3/4"	.625-.750	Yellow	1.40	1.50	.55	.815
ZS211*	3/4"	.750-.875	Purple	1.40	1.50	.55	.815
ZS308	1"	.375-.500	Blue	1.81	1.60	.71	1.015
ZS309	1"	.500-.625	Brown	1.81	1.60	.71	1.015
ZS310	1"	.625-.750	Yellow	1.81	1.60	.71	1.015
ZS311	1"	.750-.875	Purple	1.81	1.60	.71	1.015
ZS312	1"	.875-1.000	Gray	1.81	1.60	.71	1.015
ZS313*	1"	1.000-1.125	Pink	2.31	1.70	.66	1.015
ZS314*	1"	1.125-1.250	-	2.31	1.70	.66	1.015
ZS315*	1"	1.250-1.375	-	2.31	1.70	.66	1.015
ZS411	1-1/4"	.750-.875	-	2.31	1.70	.74	1.255
ZS412	1-1/4"	.875-1.000	-	2.31	1.70	.74	1.255
ZS413	1-1/4"	1.000-1.125	-	2.31	1.70	.74	1.255
ZS414	1-1/4"	1.125-1.250	-	2.31	1.70	.74	1.255
ZS415*	1-1/4"	1.250-1.375	-	2.31	1.70	.74	1.255

* Cable jacket may have to be stripped to pass through connector body on all sizes.

Z CORD CONNECTORS – STRAIGHT							
CATALOG NUMBER	NPT SIZE	CORD RANGES	DIMENSIONS				
			A	B	C	D	
ZS511	1-1/2"	.750-.875	2.31	1.70	.75	1.38	
ZS512	1-1/2"	.875-1.000	2.31	1.70	.75	1.38	
ZS513	1-1/2"	1.000-1.125	2.31	1.70	.75	1.38	
ZS514	1-1/2"	1.125-1.250	2.31	1.70	.75	1.38	
ZS515	1-1/2"	1.250-1.375	2.31	1.70	.75	1.38	
ZS516	1-1/2"	1.375-1.500	3.00	2.20	.75	1.50	
ZS517*	1-1/2"	1.500-1.625	3.00	2.20	.75	1.50	
ZS518	1-1/2"	1.625-1.750	3.00	2.20	.75	1.50	
ZS520*	1-1/2"	1.750-1.875	3.00	2.20	.75	1.50	
ZS615	2"	1.250-1.375	3.25	2.20	.80	1.92	
ZS616	2"	1.375-1.500	3.25	2.20	.80	1.92	
ZS617	2"	1.500-1.625	3.25	2.20	.80	1.92	
ZS618	2"	1.625-1.750	3.25	2.20	.80	1.92	
ZS620	2"	1.750-1.875	3.25	2.20	.80	1.92	
ZS619	2"	1.688-1.812	4.06	2.70	1.27	1.94	
ZS621	2"	1.812-1.937	4.06	2.70	1.27	1.94	
ZS622*	2"	1.937-2.062	4.06	2.70	1.27	1.94	
ZS623*	2"	2.062-2.188	4.06	2.70	1.27	1.94	
ZS624*	2"	2.188-2.312	4.06	2.70	1.27	1.94	
ZS719	2-1/2"	1.688-1.812	4.33	2.70	1.27	2.34	
ZS721	2-1/2"	1.812-1.937	4.33	2.70	1.27	2.34	
ZS722	2-1/2"	1.937-2.062	4.33	2.70	1.27	2.34	
ZS723	2-1/2"	2.062-2.188	4.33	2.70	1.27	2.34	
ZS724	2-1/2"	2.188-2.312	4.33	2.70	1.27	2.34	
ZS725*	2-1/2"	2.312-2.437	4.33	2.70	1.27	2.34	
ZS819	3"	1.688-1.812	4.33	2.70	1.30	2.54	
ZS822	3"	1.937-2.062	4.33	2.70	1.30	2.54	
ZS823	3"	2.062-2.188	4.33	2.70	1.30	2.54	
ZS824	3"	2.188-2.312	4.33	2.70	1.30	2.54	
ZS825	3"	2.312-2.437	4.33	2.70	1.30	2.54	
ZS826	3"	2.437-2.625	4.87	2.70	1.38	3.00	
ZS827	3"	2.625-2.812	4.87	2.70	1.38	3.00	
ZS828	3"	2.812-3.000	4.87	2.70	1.38	3.00	
ZS829*	3"	3.000-3.250	4.87	2.70	1.38	3.00	



FITTINGS

STRAIGHT STEEL CORD CONNECTORS

Type 4, 4X, 12 & 13



ZS002ZP

UL LISTED - File E22698

SP Certified - File LR73478

FEATURES-SPECIFICATIONS

Applications

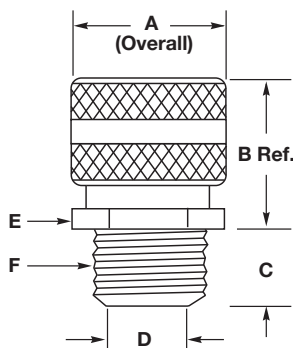
Z Series Steel Cord Connectors are used to secure and seal cords or cables entering enclosures or race-ways. Z Series connectors are also suitable for use in hazardous locations per National Electrical Code (Articles 501.10(B), 502.10(A)(B) and 505.15(C)). Consult these articles for sealing requirements that may apply.

Materials/Finish

- Steel/malleable iron
- Zinc electro-plated
- Natural Finish

Features

- Neoprene grommet seals out oil and moisture
- Nylon retention ring incorporates a split hinge design to prevent friction and provide strain relief, also color-coded for sizing identification
- These heavy-duty connectors hold up to most manufacturing chemicals including, acid solutions, solvents and other corrosive materials
- Machined steel nut and body allows for tightening the compression nut and NPT hub without worrying about stripping the threads
- Wide range of sizes and configurations



Z CORD CONNECTORS - STRAIGHT

CATALOG NUMBER	NPT SIZE	CORD RANGES INCHES (MM)	COLOR CODE	DIMENSIONS INCHES (MM)						
				A		B	C	D	E	
				A/C	A/F				A/C	A/F
ZS002ZP	3/8"	.125"-.187" (3.175-4.75)	Orange	.98" (24.9)	.88" (22.4)	.90" (22.9)	.42" (10.7)	.45" (11.4)	.99" (25.1)	.88" (22.4)
ZS004ZP	3/8"	.250"-.312" (6.35-9.525)	Black	.98" (24.9)	.88" (22.4)	.90" (22.9)	.42" (10.7)	.45" (11.4)	.99" (25.1)	.88" (22.4)
ZS007ZP	3/8"	.375"-.437" (9.525-12.7)	Blue	.98" (24.9)	.88" (22.4)	.90" (22.9)	.42" (10.7)	.45" (11.4)	.99" (25.1)	.98" (22.4)
ZS102ZP	1/2"	.125"-.187" (3.175-4.75)	Orange	1.27" (32.3)	1.13" (28.7)	1.20" (30.5)	.55" (14.0)	.64" (16.3)	1.10" (28.2)	1.00" (25.4)
ZS103ZP	1/2"	.187"-.250" (4.75-6.35)	Red	1.27" (32.3)	1.13" (28.7)	1.20" (30.5)	.55" (14.0)	.64" (16.3)	1.10" (28.2)	1.00" (25.4)
ZS105ZP	1/2"	.250"-.375" (6.35-9.525)	White	1.27" (32.3)	1.13" (28.7)	1.20" (30.5)	.55" (14.0)	.64" (16.3)	1.10" (28.2)	1.00" (25.4)
ZS108ZP	1/2"	.375"-.500" (9.525-12.7)	Blue	1.27" (32.3)	1.13" (28.7)	1.20" (30.5)	.55" (14.0)	.64" (16.3)	1.10" (28.2)	1.00" (25.4)
ZS109ZP	1/2"	.500"-.625" (12.7-15.88)	Brown	1.27" (32.3)	1.13" (28.7)	1.20" (30.5)	.55" (14.0)	.64" (16.3)	1.10" (28.2)	1.00" (25.4)
ZS110ZP*	1/2"	.625"-.750" (15.88-19.05)	Yellow	1.55" (39.4)	1.38" (35.1)	1.50" (38.1)	.55" (14.0)	.64" (16.3)	1.40" (35.6)	1.25" (31.7)
ZS111ZP*	1/2"	.750"-.875" (19.05-22.23)	Purple	1.55" (39.4)	1.38" (35.1)	1.50" (38.1)	.55" (14.0)	.64" (16.3)	1.40" (35.6)	1.25" (31.7)
ZS202ZP	3/4"	.125"-.187" (3.175-4.75)	Orange	1.27" (32.3)	1.13" (28.7)	1.20" (30.5)	.55" (14.0)	.64" (16.3)	1.29" (32.8)	1.13" (28.7)
ZS203ZP	3/4"	.187"-.250" (4.75-6.35)	Red	1.27" (32.3)	1.13" (28.7)	1.20" (30.5)	.55" (14.0)	.64" (16.3)	1.29" (32.8)	1.13" (28.7)
ZS205ZP	3/4"	.250"-.375" (6.35-9.525)	White	1.27" (32.3)	1.13" (28.7)	1.20" (30.5)	.55" (14.0)	.64" (16.3)	1.29" (32.8)	1.13" (28.7)
ZS208ZP	3/4"	.375"-.500" (9.525-12.7)	Blue	1.27" (32.3)	1.13" (28.7)	1.20" (30.5)	.55" (14.0)	.64" (16.3)	1.29" (32.8)	1.13" (28.7)
ZS209ZP	3/4"	.500"-.625" (12.7-15.88)	Brown	1.27" (32.3)	1.13" (28.7)	1.20" (30.5)	.55" (14.0)	.64" (16.3)	1.29" (32.8)	1.13" (28.7)
ZS210ZP	3/4"	.625"-.750" (15.88-19.05)	Yellow	1.55" (39.4)	1.38" (35.1)	1.40" (35.6)	.55" (14.0)	.82" (20.8)	1.40" (35.6)	1.25" (31.7)
ZS211ZP*	3/4"	.750"-.875" (19.05-22.23)	Purple	1.55" (39.4)	1.38" (35.1)	1.40" (35.6)	.55" (14.0)	.82" (20.8)	1.40" (35.6)	1.25" (31.7)
ZS312ZP	1"	.875"-.1.000" (22.23-25.4)	Gray	1.92" (48.8)	1.69" (42.9)	1.60" (40.6)	.70" (17.8)	1.02" (25.9)	1.95" (49.5)	1.69" (42.9)
ZS413ZP	1-1/4"	1.000"-1.125" (25.4-28.7)	-	2.40" (61.0)	-	1.70" (43.2)	.73" (18.5)	1.27" (32.3)	2.48" (63.0)	2.19" (55.6)
ZS414ZP	1-1/4"	1.125"-1.250" (28.7-31.75)	-	2.40" (61.0)	-	1.70" (43.2)	.73" (18.5)	1.27" (32.3)	2.48" (63.0)	2.19" (55.6)
ZS415ZP	1-1/4"	1.250"-1.375" (31.75-35.05)	-	2.40" (61.0)	-	1.70" (43.2)	.73" (18.5)	1.27" (32.3)	2.48" (63.0)	2.19" (55.6)
ZS513ZP	1-1/2"	1.000"-1.125" (25.4-28.7)	-	2.40" (61.0)	-	1.70" (43.2)	.74" (18.8)	1.39" (35.3)	2.48" (63.0)	2.19" (55.6)
ZS514ZP	1-1/2"	1.125"-1.250" (28.7-31.75)	-	2.40" (61.0)	-	1.70" (43.2)	.74" (18.8)	1.39" (35.3)	2.48" (63.0)	2.19" (55.6)
ZS515ZP	1-1/2"	1.250"-1.375" (31.75-35.05)	-	2.40" (61.0)	-	1.70" (43.2)	.74" (18.8)	1.39" (35.3)	2.48" (63.0)	2.19" (55.6)

- Locknuts sold separately

* Cable jacket may have to be stripped to pass through connector body



ALUMINUM CORD CONNECTORS



ZN310



Locknut

Type 4, 4X, 12 & 13

UL LISTED - File E22698

SP Certified - File LR73478

FEATURES-SPECIFICATIONS

Applications

Use to secure and seal cords or cables entering enclosures or race-ways.

Z Series connectors are also suitable for use in hazardous locations per National Electrical Code (Articles 501-4(b), 502-4(a&b), 503-3(a&b). Consult these articles for sealing requirements that may apply.

Materials/Finish

- Copper-free aluminum (less than 4/10 of 1%)
- Natural finish

Features

- Aluminum construction resists corrosion
- Neoprene grommet seals out oil and moisture
- Nylon retention ring ensures superior holding power
- Wide range of sizes and configurations

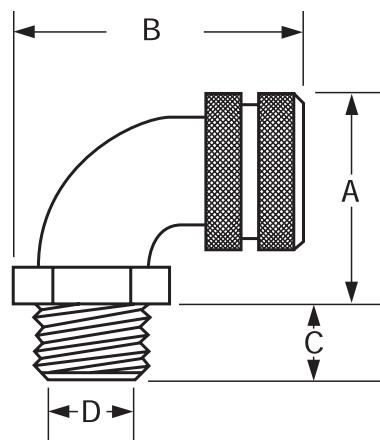
Z CORD CONNECTORS – 90°							
CATALOG NUMBER	NPT SIZE	CORD RANGES	COLOR CODE	DIMENSIONS			
				A	B	C	D
ZN102	1/2"	.125-.187	Orange	1.56	2.30	.50	.546
ZN103	1/2"	.187-.250	Red	1.56	2.30	.50	.546
ZN105	1/2"	.250-.375	White	1.56	2.30	.50	.546
ZN108	1/2"	.375-.500	Blue	1.56	2.30	.50	.546
ZN109*	1/2"	.500-.625	Brown	1.56	2.30	.50	.546
ZN208	3/4"	.375-.500	Blue	1.79	2.80	.562	.765
ZN209	3/4"	.500-.625	Brown	1.79	2.80	.562	.765
ZN210*	3/4"	.625-.750	Yellow	1.79	2.80	.562	.765
ZN211*	3/4"	.750-.875	Purple	1.79	2.80	.562	.765
ZN309	1"	.500-.625	Brown	2.08	3.20	.703	1.00
ZN310	1"	.625-.750	Yellow	2.08	3.20	.703	1.00
ZN311	1"	.750-.875	Purple	2.08	3.20	.703	1.00
ZN312*	1"	.875-1.000	Gray	2.08	3.20	.703	1.00
ZN313*	1"	1.000-1.125	Pink	2.08	3.20	.703	1.00
ZN412	1-1/4"	.875-1.000	-	3.18	4.30	.73	1.26
ZN413	1-1/4"	1.000-1.125	-	3.18	4.30	.73	1.26
ZN414*	1-1/4"	1.125-1.250	-	3.18	4.30	.73	1.26
ZN415*	1-1/4"	1.250-1.375	-	3.18	4.30	.73	1.26
ZN515	1-1/2"	1.000-1.125	-	3.18	4.30	.75	1.50
ZN515	1-1/2"	1.250-1.375	-	3.18	4.30	.75	1.50
ZN616	2"	1.375-1.500	-	3.50	5.50	.80	1.92

* Cable jacket may have to be stripped to pass through connector body.

OPTIONAL LOCKNUTS AND SEALING WASHERS		
CATALOG NUMBER		
STEEL LOCKNUTS ^①	SEALING WASHERS ^②	NPT SIZES
KILLN375	-	3/8"
KILLN1	KOR-1	1/2"
KILLN2	KOR-2	3/4"
KILLN3	KOR-3	1"
KILLN4	KOR-4	1-1/4"
KILLN5	KOR-5	1-1/2"
KILLN6	KOR-6	2"
KILLN7	-	2-1/2"
KILLN8	-	3"

① 2-1/2" through 3" are malleable, with hexhead flats.

② Neoprene washers are mounted on steel reinforcing bands.





FITTINGS

90° STEEL CORD CONNECTORS



ZN208ZP

Type 4, 4X, 12 & 13

UL LISTED - File E22698

SP Certified - File LR73478

FEATURES-SPECIFICATIONS

Applications

Z Series Steel Cord Connectors are used to secure and seal cords or cables entering enclosures or race-ways. Z Series connectors are also suitable for use in hazardous locations when installed according to National Electrical Code (Articles 501.10(B), 502.10(A)(B) and 505.15(C)). Consult these articles for sealing requirements that may apply.

Materials/Finish

- Steel/malleable iron
- Zinc electro-plated
- Natural Finish

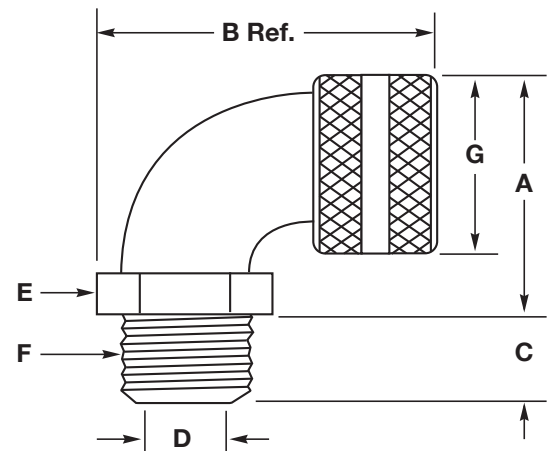
Features

- Neoprene grommet seals out oil and moisture
- Nylon retention ring incorporates a split hinge design to prevent friction and provide strain relief, also color-coded for sizing identification
- These heavy-duty connectors hold up to most manufacturing chemicals including, acid solutions, solvents and other corrosive materials
- Machined steel nut and malleable iron body allows for tightening the compression nut and NPT hub without worrying about stripping the threads
- Wide range of sizes and configurations

Z CORD CONNECTORS - 90° Δ											
CATLOG NUMBER ^A	NPT SIZE	CORD RANGES INCHES (MM)	COLOR CODE	DIMENSIONS INCHES (MM)							
				A	B	C	D	E		G	
								A/C	A/F	A/C	A/F
ZN103ZP	1/2"	.187"- .250" (4.75-6.35)	Red	1.65" (41.9)	2.38" (60.5)	.55" (14.0)	.55" (13.8)	1.29" (32.8)	1.13" (28.7)	1.27" (32.3)	1.13" (28.6)
ZN105ZP	1/2"	.250"- .375" (6.35-9.525)	White	1.65" (41.9)	2.38" (60.5)	.55" (14.0)	.55" (13.8)	1.29" (32.8)	1.13" (28.7)	1.27" (32.3)	1.13" (28.6)
ZN108ZP	1/2"	.375"- .500" (9.525-12.7)	Blue	1.65" (41.9)	2.38" (60.5)	.55" (14.0)	.55" (13.8)	1.29" (32.8)	1.13" (28.7)	1.27" (32.3)	1.13" (28.6)
ZN109ZP*	1/2"	.500"- .625" (12.7-15.88)	Brown	1.65" (41.9)	2.38" (60.5)	.55" (14.0)	.55" (13.8)	1.29" (32.8)	1.13" (28.7)	1.27" (32.3)	1.13" (28.6)
ZN208ZP	3/4"	.375"- .500" (9.525-12.7)	Blue	1.88" (47.8)	2.90" (73.7)	.56" (14.2)	.77" (19.4)	1.52" (38.6)	1.33" (33.8)	1.55" (39.2)	1.38" (34.9)
ZN209ZP	3/4"	.500"- .625" (12.7-15.88)	Brown	1.88" (47.8)	2.90" (73.7)	.56" (14.2)	.77" (19.4)	1.52" (38.6)	1.33" (33.8)	1.55" (39.2)	1.38" (34.9)
ZN210ZP	3/4"	.625"- .750" (15.88-19.05)	Yellow	1.88" (47.8)	2.90" (73.7)	.56" (14.2)	.77" (19.4)	1.52" (38.6)	1.33" (33.8)	1.55" (39.2)	1.38" (34.9)
ZN211ZP	3/4"	.750"- .875" (19.05-22.23)	Purple	1.88" (47.8)	2.90" (73.7)	.56" (14.2)	.77" (19.4)	1.52" (38.6)	1.33" (33.8)	1.55" (39.2)	1.38" (34.9)
ZN310ZP	1"	.625"- .750" (15.88-19.05)	Yellow	2.16" (54.9)	3.20" (81.3)	.70" (17.8)	1.00" (25.4)	1.72" (43.7)	1.50" (38.1)	1.92" (48.8)	1.69" (42.8)

Δ Compression nuts are machined zinc-plated steel and bodies are zinc-plated malleable iron

* Cable jacket may have to be stripped to pass through connector body





ALUMINUM CORD CONNECTORS WITH MESH GRIP



UL LISTED - File E22698

SP Certified - File LR73478
See files for details or call Killark.

FEATURES-SPECIFICATIONS

Applications

Z Series cord connector grips combine aluminum cord connectors with stainless steel mesh grips to provide superior cord pull-out prevention in indoor and outdoor applications. These grips provide enclosure terminations where cords are subjected to moisture or splashing water.

They are also suitable for use in hazardous locations per National Electrical Code (Articles 501-4(b), 502-4(a&b), 503-3(a&b)). Consult these article for sealing requirements that may apply.

Features

- Aluminum fittings are strong, durable and corrosion resistant
- Internal grommet provides liquidtight seal
- Stainless steel mesh grips resist corrosion, prevent cord pull-out and control arc-of-bend

Material/Finish

- Copper-free aluminum (less than 4/10 of 1%)
- Natural finish
- Stainless steel mesh grip

Z CORD CONNECTORS — STRAIGHT

CATALOG NUMBER	NPT SIZE	CORD RANGES	COLOR CODE	DIMENSIONS			
				A	B	C	D
ZS004-MG	3/8"	.250-.312	Black	.99	.90	.425	.453
ZS006-MG	3/8"	.312-.375	White	.99	.90	.425	.453
ZS007-MG	3/8"	.375-.437	Blue	.99	.90	.425	.453
ZS103-MG	1/2"	.187-.250	Red	1.13	1.10	.55	.635
ZS105-MG	1/2"	.250-.375	White	1.13	1.10	.55	.635
ZS108-MG	1/2"	.375-.500	Blue	1.13	1.10	.55	.635
ZS109-MG	1/2"	.500-.625	Brown	1.13	1.10	.55	.635
ZS110-MG	1/2"	.625-.750	Yellow	1.40	1.50	.55	.635
ZS111-MG	1/2"	.750-.875	Purple	1.40	1.50	.55	.635
ZS203-MG	3/4"	.187-.250	Red	1.29	1.10	.55	.635
ZS205-MG	3/4"	.250-.375	White	1.29	1.10	.55	.635
ZS208-MG	3/4"	.375-.500	Blue	1.29	1.10	.55	.635
ZS209-MG	3/4"	.500-.625	Brown	1.29	1.10	.55	.635
ZS210-MG	3/4"	.625-.750	Yellow	1.40	1.50	.55	.815
ZS211-MG	3/4"	.750-.875	Purple	1.40	1.50	.55	.815
ZS308-MG	1"	.375-.500	Blue	1.81	1.60	.71	1.015
ZS309-MG	1"	.500-.625	Brown	1.81	1.60	.71	1.015
ZS310-MG	1"	.625-.750	Yellow	1.81	1.60	.71	1.015
ZS311-MG	1"	.750-.875	Purple	1.81	1.60	.71	1.015
ZS312-MG	1"	.875-1.00	Gray	1.81	1.60	.71	1.015
ZS313-MG	1"	1.00-1.125	Pink	2.31	1.70	.66	1.015

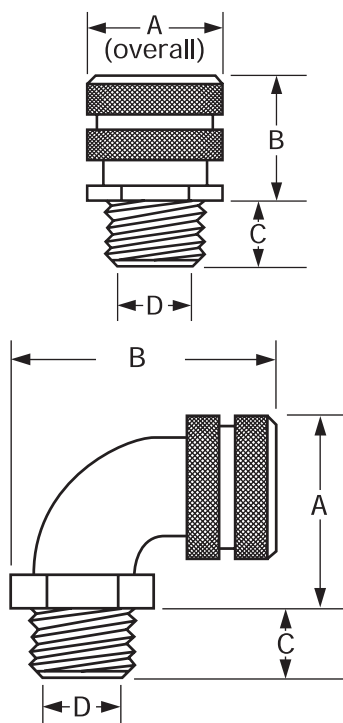
Z CORD CONNECTORS — 90°

CATALOG NUMBER	NPT SIZE	CORD RANGES	COLOR CODE	DIMENSIONS			
				A	B	C	D
ZN103-MG	1/2"	.187-.250	Red	1.56	2.30	.50	.546
ZN105-MG	1/2"	.250-.375	White	1.56	2.30	.50	.546
ZN108-MG	1/2"	.375-.500	Blue	1.56	2.30	.50	.546
ZN109-MG	1/2"	.500-.625	Brown	1.56	2.30	.50	.546
ZN208-MG	3/4"	.375-.500	Blue	1.79	2.80	.562	.765
ZN209-MG	3/4"	.500-.625	Brown	1.79	2.80	.562	.765
ZN210-MG	3/4"	.625-.750	Yellow	1.79	2.80	.562	.765
ZN211-MG	3/4"	.750-.875	Purple	1.79	2.80	.562	.765

OPTIONAL LOCKNUTS AND SEALING WASHERS		
CATALOG NUMBER		
STEEL LOCKNUTS ^①	SEALING WASHERS ^②	NPT SIZES
KILLN375	-	3/8"
KILLN1	KOR-1	1/2"
KILLN2	KOR-2	3/4"
KILLN3	KOR-3	1"
KILLN4	KOR-4	1-1/4"
KILLN5	KOR-5	1-1/2"
KILLN6	KOR-6	2"
KILLN7	-	2-1/2"
KILLN8	-	3"

① 2-1/2" through 3" are malleable, with hexhead flats.

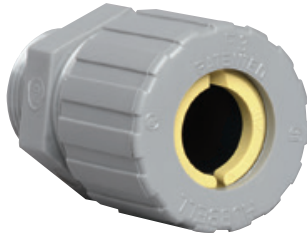
② Neoprene washers are mounted on steel reinforcing bands.





FITTINGS

CORROSION RESISTANT NYLON CORD CONNECTORS



ZS210CR



ZN210CR

UL LISTED - File E22698

SP Certified - File LR73478
See files for details or call Killark.

FEATURES-SPECIFICATIONS

Applications

Durable nylon construction makes these connectors perfectly suited to corrosive environments.

Typical applications for nylon cord connectors include food processing facilities, chemical and sewage treatment plants and off-shore and dockside installations.

Features

- Nylon retention ring for increased holding power
- Neoprene bushing seals against moisture
- Nylon connectors obtain approximately the same cord retention values with hand tightening that can be produced only by wrench tightening of metal cord connectors

Material

- Nylon

Z NYLON CORD CONNECTORS – STRAIGHT

CATALOG NUMBER*	NPT SIZE	CORD RANGES	COLOR CODE
ZS002CR	3/8"	.125-.187	Orange
ZS003CR	3/8"	.187-.250	Red
ZS004CR	3/8"	.250-.312	Black
ZS006CR	3/8"	.312-.375	White
ZS007CR	3/8"	.375-.437	Blue
ZS101CR	1/2"	.062-.125	Green
ZS102CR	1/2"	.125-.187	Orange
ZS103CR	1/2"	.187-.250	Red
ZS105CR	1/2"	.250-.375	White
ZS108CR	1/2"	.375-.500	Blue
ZS109CR	1/2"	.500-.625	Brown
ZS208CR	3/4"	.375-.500	Blue
ZS209CR	3/4"	.500-.625	Brown
ZS210CR	3/4"	.625-.750	Yellow
ZS211CR*	3/4"	.750-.875	Purple
ZS308CR	1"	.375-.500	Blue
ZS309CR	1"	.500-.625	Brown
ZS310CR	1"	.625-.750	Yellow
ZS311CR	1"	.750-.875	Purple
ZS312CR	1"	.875-1.000	Gray
ZS313CR*	1"	1.000-1.125	Pink

* Cable Jacket may have to be stripped to pass through connector body.

Z NYLON CORD CONNECTORS – 90°

CATALOG NUMBER*	NPT SIZE	CORD RANGES	COLOR CODE
ZN102CR	1/2"	.125-.187	Orange
ZN103CR	1/2"	.187-.250	Red
ZN105CR	1/2"	.250-.375	White
ZN108CR	1/2"	.375-.500	Blue
ZN109CR	1/2"	.500-.625	Brown
ZN208CR	3/4"	.375-.500	Blue
ZN209CR	3/4"	.500-.625	Brown
ZN210CR*	3/4"	.625-.750	Yellow
ZN211CR*	3/4"	.750-.875	Purple
ZN310CR	1"	.625-.750	Yellow
ZN311CR	1"	.750-.875	Purple
ZN312CR*	1"	.875-1.000	Gray

OPTIONAL LOCKNUTS

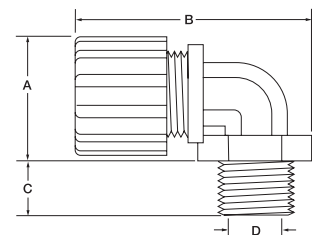
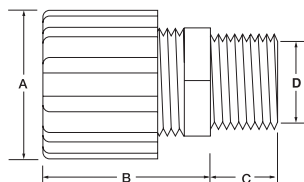
CATALOG NUMBER	NPT SIZE
LN-375CR	3/8"
LN-1CR	1/2"
LN-2CR	3/4"
LN-3CR	1"

Z 90° DIMENSIONS

NPT SIZE	DIMENSIONS			
	A	B	C	D
1/2"	1-13/32"	2-1/2"	17/32"	1-1/2"
3/4"	1-21/32"	2-51/64"	35/64"	49/64"
1"	1-63/64"	3-19/64"	11/16"	1-1/64"

Z STRAIGHT DIMENSIONS

NPT SIZE	DIMENSIONS			
	A	B	C	D
3/8"	63/64"	1-3/32"	7/16"	7/16"
1/2"	1-1/4"	1-1/2"	17/32"	37/64"
3/4"	1-31/64"	1-5/8"	35/64"	49/64"
1"	1-27/32"	1-3/4"	11/16"	1-1/16"





Z SERIES



INCREASED SAFETY ALUMINUM CORD CONNECTORS



ZS108-EX



Locknut
(See page F86)

AEx (Class I, Zone 1) Ex e II†
Type 4**

- File E22698

- File LR73478
See files for details or call Killark.

FEATURES-SPECIFICATIONS

Applications

Use to secure and seal cords or cables entering enclosures or raceways.

Z Series connectors are also suitable for use in hazardous locations per National Electrical Code Articles 501-4(b), 502-4(a&b), 503-3(a&b), 505-15 (c); Canadian Electrical Code 18-106, 18-122, 18-156, 18-218, 18-252, 18-302 and 18-352; International Electrotechnical Commission (IEC) 60079-7 Increased Safety (Ex e II). Consult these articles for appropriate installation requirements.

Features

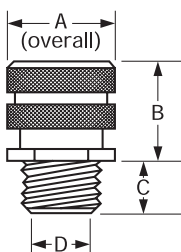
- Aluminum construction resists corrosion
- Neoprene grommet seals out oil and moisture
- Nylon retention ring ensures superior holding power
- Wide range of sizes and configurations

Material/Finish

- Copper-free aluminum (less than 4/10 of 1%)
- Natural finish

† Listed by CSA for Class I, Zone 1 in Canada. Listed by CSA as a Nationally recognized test lab (NRTL) for Class I, Div. 2, Class I, Zone 2 in the United States.

** Type 4 when installed with a proper gasket.



Z CORD CONNECTORS – STRAIGHT							
CATALOG NUMBER	NPT SIZE	CORD RANGES	COLOR CODE	DIMENSIONS			
				A	B	C	D
ZS001-EX	3/8"	.062-.125	Green	.99	.425	.90	.453
ZS002-EX	3/8"	.125-.187	Orange	.99	.425	.90	.453
ZS003-EX	3/8"	.187-.250	Red	.99	.425	.90	.453
ZS004-EX	3/8"	.250-.312	Black	.99	.425	.90	.453
ZS006-EX	3/8"	.312-.375	White	.99	.425	.90	.453
ZS007-EX	3/8"	.375-.437	Blue	.99	.425	.90	.453
ZS101-EX	1/2"	.062-.125	Green	1.13	1.10	.55	.635
ZS102-EX	1/2"	.125-.187	Orange	1.13	1.10	.55	.635
ZS103-EX	1/2"	.187-.250	Red	1.13	1.10	.55	.635
ZS105-EX	1/2"	.250-.375	White	1.13	1.10	.55	.635
ZS108-EX	1/2"	.375-.500	Blue	1.13	1.10	.55	.635
ZS109-EX	1/2"	.500-.625	Brown	1.13	1.10	.55	.635
ZS110-EX*	1/2"	.625-.750	Yellow	1.40	1.50	.55	.635
ZS111-EX*	1/2"	.750-.875	Purple	1.40	1.50	.55	.635
ZS201-EX	3/4"	.062-.125	Green	1.29	1.10	.55	.635
ZS202-EX	3/4"	.125-.187	Orange	1.29	1.10	.55	.635
ZS203-EX	3/4"	.187-.250	Red	1.29	1.10	.55	.635
ZS205-EX	3/4"	.250-.375	White	1.29	1.10	.55	.635
ZS208-EX	3/4"	.375-.500	Blue	1.29	1.10	.55	.635
ZS209-EX	3/4"	.500-.625	Brown	1.29	1.10	.55	.635
ZS210-EX	3/4"	.625-.750	Yellow	1.40	1.50	.55	.815
ZS211-EX*	3/4"	.750-.875	Purple	1.40	1.50	.55	.815
ZS308-EX	1"	.375-.500	Blue	1.81	1.60	.71	1.015
ZS309-EX	1"	.500-.625	Brown	1.81	1.60	.71	1.015
ZS310-EX	1"	.625-.750	Yellow	1.81	1.60	.71	1.015
ZS311-EX	1"	.750-.875	Purple	1.81	1.60	.71	1.015
ZS312-EX	1"	.875-1.000	Gray	1.81	1.60	.71	1.015
ZS313-EX*	1"	1.000-1.125	Pink	2.31	1.70	.66	1.015
ZS314-EX*	1"	1.125-1.250	-	2.31	1.70	.66	1.015
ZS315-EX*	1"	1.250-1.375	-	2.31	1.70	.66	1.015
ZS411-EX	1-1/4"	.750-.875	-	2.31	1.70	.74	1.255
ZS412-EX	1-1/4"	.875-1.000	-	2.31	1.70	.74	1.255
ZS413-EX	1-1/4"	1.000-1.125	-	2.31	1.70	.74	1.255
ZS414-EX	1-1/4"	1.125-1.250	-	2.31	1.70	.74	1.255
ZS415-EX*	1-1/4"	1.250-1.375	-	2.31	1.70	.74	1.255

* Cable jacket may have to be stripped to pass through connector body on all sizes.

Z CORD CONNECTORS — STRAIGHT							
CATALOG NUMBER	NPT SIZE	CORD RANGES	DIMENSIONS				
			A	B	C	D	
ZS511-EX	1-1/2"	.750-.875	2.31	1.70	.75	1.38	
ZS512-EX	1-1/2"	.875-1.000	2.31	1.70	.75	1.38	
ZS513-EX	1-1/2"	1.000-1.125	2.31	1.70	.75	1.38	
ZS514-EX	1-1/2"	1.125-1.250	2.31	1.70	.75	1.38	
ZS515-EX	1-1/2"	1.250-1.375	2.31	1.70	.75	1.38	
ZS516-EX	1-1/2"	1.375-1.500	3.00	2.20	.75	1.50	
ZS517-EX*	1-1/2"	1.500-1.625	3.00	2.20	.75	1.50	
ZS518-EX*	1-1/2"	1.625-1.750	3.00	2.20	.75	1.50	
ZS520-EX*	1-1/2"	1.750-1.875	3.00	2.20	.75	1.50	
ZS615-EX	2"	1.250-1.375	3.25	2.20	.80	1.92	
ZS616-EX	2"	1.375-1.500	3.25	2.20	.80	1.92	
ZS617-EX	2"	1.500-1.625	3.25	2.20	.80	1.92	
ZS618-EX	2"	1.625-1.750	3.25	2.20	.80	1.92	
ZS620-EX	2"	1.750-1.875	3.25	2.20	.80	1.92	
ZS619-EX	2"	1.688-1.812	4.06	2.70	1.27	1.94	
ZS621-EX	2"	1.812-1.937	4.06	2.70	1.27	1.94	
ZS622-EX*	2"	1.937-2.062	4.06	2.70	1.27	1.94	
ZS623-EX*	2"	2.062-2.188	4.06	2.70	1.27	1.94	
ZS624-EX*	2"	2.188-2.312	4.06	2.70	1.27	1.94	
ZS719-EX	2-1/2"	1.688-1.812	4.33	2.70	1.27	2.34	
ZS721-EX	2-1/2"	1.812-1.937	4.33	2.70	1.27	2.34	
ZS722-EX	2-1/2"	1.937-2.062	4.33	2.70	1.27	2.34	
ZS723-EX	2-1/2"	2.062-2.188	4.33	2.70	1.27	2.34	
ZS724-EX	2-1/2"	2.188-2.312	4.33	2.70	1.27	2.34	
ZS725-EX*	2-1/2"	2.312-2.437	4.33	2.70	1.27	2.34	
ZS819-EX	3"	1.688-1.812	4.33	2.70	1.30	2.54	
ZS822-EX	3"	1.937-2.062	4.33	2.70	1.30	2.54	
ZS823-EX	3"	2.062-2.188	4.33	2.70	1.30	2.54	
ZS824-EX	3"	2.188-2.312	4.33	2.70	1.30	2.54	
ZS825-EX	3"	2.312-2.437	4.33	2.70	1.30	2.54	
ZS826-EX	3"	2.437-2.625	4.87	2.70	1.38	3.00	
ZS827-EX	3"	2.625-2.812	4.87	2.70	1.38	3.00	
ZS828-EX	3"	2.812-3.000	4.87	2.70	1.38	3.00	
ZS829-EX*	3"	3.000-3.250	4.87	2.70	1.38	3.00	



FITTINGS

INCREASED SAFETY ALUMINUM CORD CONNECTORS



ZN310-EX



Locknut

CS **US** AEx (Class I, Zone 1) Ex e II† Type 4**

UL LISTED - File E22698

SP Certified - File LR73478
See files for details or call Killark.

FEATURES-SPECIFICATIONS

Applications

Use to secure and seal cords or cables entering enclosures or raceways.

Z Series connectors are also suitable for use in hazardous locations per National Electrical Code Articles 501-4(b), 502-4(a&b), 503-3(a&b), 505-15 (c); Canadian Electrical Code 18-106, 18-122, 18-156, 18-218, 18-252, 18-302 and 18-352; International Electrotechnical Commission (IEC) 60079-7 Increased Safety (Ex e II). Consult these articles for appropriate installation requirements.

Features

- Aluminum construction resists corrosion
- Neoprene grommet seals out oil and moisture
- Nylon retention ring ensures superior holding power
- Wide range of sizes and configurations

Material/Finish

- Copper-free aluminum (less than 4/10 of 1%)
- Natural finish

† Listed by CSA for Class I, Zone 1 in Canada. Listed by CSA as a Nationally recognized test lab (NRTL) for Class I, Div. 2, Class I, Zone 2 in the United States.

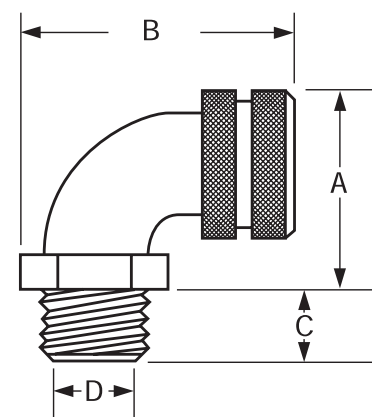
** Type 4 when installed with a proper gasket.

Z CORD CONNECTORS – 90°							
CATALOG NUMBER	NPT SIZE	CORD RANGES	COLOR CODE	DIMENSIONS			
				A	B	C	D
ZN102-EX	1/2"	.125-.187	Orange	1.56	2.30	.50	.546
ZN103-EX	1/2"	.187-.250	Red	1.56	2.30	.50	.546
ZN105-EX	1/2"	.250-.375	White	1.56	2.30	.50	.546
ZN108-EX	1/2"	.375-.500	Blue	1.56	2.30	.50	.546
ZN109-EX*	1/2"	.500-.625	Brown	1.56	2.30	.50	.546
ZN208-EX	3/4"	.375-.500	Blue	1.79	2.80	.562	.765
ZN209-EX	3/4"	.500-.625	Brown	1.79	2.80	.562	.765
ZN210-EX*	3/4"	.625-.750	Yellow	1.79	2.80	.562	.765
ZN211-EX*	3/4"	.750-.875	Purple	1.79	2.80	.562	.765
ZN309-EX	1"	.500-.625	Brown	2.08	3.20	.703	1.00
ZN310-EX	1"	.625-.750	Yellow	2.08	3.20	.703	1.00
ZN311-EX	1"	.750-.875	Purple	2.08	3.20	.703	1.00
ZN312-EX*	1"	.875-1.000	Gray	2.08	3.20	.703	1.00
ZN313-EX*	1"	1.000-1.125	Pink	2.08	3.20	.703	1.00
ZN412-EX	1-1/4"	.875-1.000	—	3.18	4.30	.73	1.26
ZN413-EX	1-1/4"	1.000-1.125	—	3.18	4.30	.73	1.26
ZN414-EX*	1-1/4"	1.125-1.250	—	3.18	4.30	.73	1.26
ZN415-EX*	1-1/4"	1.250-1.375	—	3.18	4.30	.73	1.26
ZN513-EX	1-1/2"	1.000-1.125	—	3.18	4.30	.75	1.50
ZN515-EX	1-1/2"	1.250-1.375	—	3.18	4.30	.75	1.50
ZN616-EX	2"	1.375-1.500	—	3.50	5.50	.80	1.92

* Cable jacket may have to be stripped to pass through connector body.

OPTIONAL LOCKNUTS AND SEALING WASHERS		
CATALOG NUMBER		NPT SIZES
STEEL LOCKNUTS ^①	SEALING WASHERS ^②	
KILLN375	—	3/8"
KILLN1	KOR-1	1/2"
KILLN2	KOR-2	3/4"
KILLN3	KOR-3	1"
KILLN4	KOR-4	1-1/4"
KILLN5	KOR-5	1-1/2"
KILLN6	KOR-6	2"
KILLN7	—	2-1/2"
KILLN8	—	3"

① 2-1/2" through 3" are malleable, with hexhead flats.
② Neoprene washers are mounted on steel reinforcing bands.





Z SERIES

KILLARK

INCREASED SAFETY ALUMINUM CORD CONNECTOR WITH MESH GRIP



CSA US **AEx (Class I, Zone 1) Ex e II†**
Type 4**

UL LISTED - File E22698

SP Certified - File LR73478
See files for details or call Killark.

FEATURES-SPECIFICATIONS

Applications

Z Series cord connector grips combine aluminum cord connectors with stainless steel mesh grips to provide superior cord pull-out prevention in indoor and outdoor applications. These grips provide enclosure terminations where cords are subjected to moisture or splashing water.

They are also suitable for use in hazardous locations per National Electrical Code (Articles 501-4(b), 502-4(a&b), 503-3(a&b), 505-15 (c); Canadian Electrical Code 18-106, 18-122, 18-156, 18-218, 18-252, 18-302 and 18-352; International Electrotechnical Commission (IEC) 60079-7 Increased Safety (Ex e II). Consult these articles for appropriate installation requirements.

Features

- Aluminum fittings are strong, durable and corrosion resistant
- Internal grommet provides liquidtight seal
- Stainless steel mesh grips resist corrosion, prevent cord pull-out and control arc-of-bend

Material/Finish

- Copper-free aluminum (less than 4/10 of 1%)
- Natural finish
- Stainless steel mesh grip

† Listed by CSA for Class I, Zone 1 in Canada. Listed by CSA as a Nationally recognized test lab (NRTL) for Class I, Div. 2, Class I, Zone 2 in the United States.

** Type 4 when installed with a proper gasket.

Z CORD CONNECTORS – STRAIGHT

CATALOG NUMBER	NPT SIZE	CORD RANGES	COLOR CODE	DIMENSIONS			
				A	B	C	D
ZS004-EX-MG	3/8"	.250-.312	Black	.99	.90	.425	.453
ZS006-EX-MG	3/8"	.312-.375	White	.99	.90	.425	.453
ZS007-EX-MG	3/8"	.375-.437	Blue	.99	.90	.425	.453
ZS103-EX-MG	1/2"	.187-.250	Red	1.13	1.10	.55	.635
ZS105-EX-MG	1/2"	.250-.375	White	1.13	1.10	.55	.635
ZS108-EX-MG	1/2"	.375-.500	Blue	1.13	1.10	.55	.635
ZS109-EX-MG	1/2"	.500-.625	Brown	1.13	1.10	.55	.635
ZS110-EX-MG*	1/2"	.625-.750	Yellow	1.40	1.50	.55	.635
ZS111-EX-MG*	1/2"	.750-.875	Purple	1.40	1.50	.55	.635
ZS203-EX-MG	3/4"	.187-.250	Red	1.29	1.10	.55	.635
ZS205-EX-MG	3/4"	.250-.375	White	1.29	1.10	.55	.635
ZS208-EX-MG	3/4"	.375-.500	Blue	1.29	1.10	.55	.635
ZS209-EX-MG	3/4"	.500-.625	Brown	1.29	1.10	.55	.635
ZS210-EX-MG	3/4"	.625-.750	Yellow	1.40	1.50	.55	.815
ZS211-EX-MG*	3/4"	.750-.875	Purple	1.40	1.50	.55	.815
ZS308-EX-MG	1"	.375-.500	Blue	1.81	1.60	.71	1.015
ZS309-EX-MG	1"	.500-.625	Brown	1.81	1.60	.71	1.015
ZS310-EX-MG	1"	.625-.750	Yellow	1.81	1.60	.71	1.015
ZS311-EX-MG	1"	.750-.875	Purple	1.81	1.60	.71	1.015
ZS312-EX-MG*	1"	.875-1.00	Gray	1.81	1.60	.71	1.015
ZS313-EX-MG*	1"	1.00-1.125	Pink	2.31	1.70	.66	1.015

Z CORD CONNECTORS – 90°

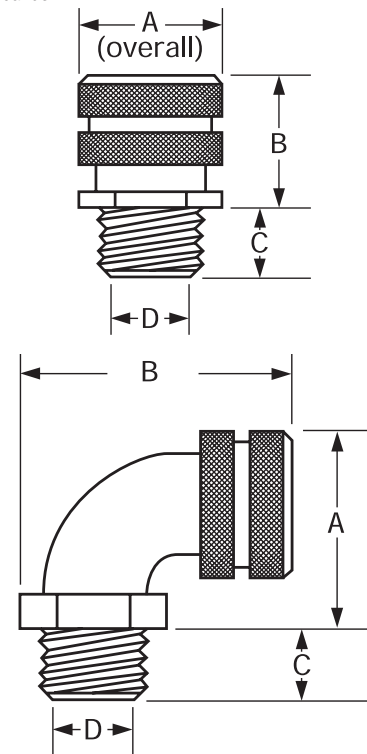
CATALOG NUMBER	NPT SIZE	CORD RANGES	COLOR CODE	DIMENSIONS			
				A	B	C	D
ZN103-EX-MG	1/2"	.187-.250	Red	1.56	2.30	.50	.546
ZN105-EX-MG	1/2"	.250-.375	White	1.56	2.30	.50	.546
ZN108-EX-MG	1/2"	.375-.500	Blue	1.56	2.30	.50	.546
ZN109-EX-MG*	1/2"	.500-.625	Brown	1.56	2.30	.50	.546
ZN208-EX-MG	3/4"	.375-.500	Blue	1.79	2.80	.562	.765
ZN209-EX-MG	3/4"	.500-.625	Brown	1.79	2.80	.562	.765
ZN210-EX-MG*	3/4"	.625-.750	Yellow	1.79	2.80	.562	.765
ZN211-EX-MG*	3/4"	.750-.875	Purple	1.79	2.80	.562	.765

OPTIONAL LOCKNUTS AND SEALING WASHERS

CATALOG NUMBER		NPT SIZES
STEEL LOCKNUTS ^①	SEALING WASHERS ^②	
KILLN375	—	3/8"
KILLN1	KOR-1	1/2"
KILLN2	KOR-2	3/4"
KILLN3	KOR-3	1"
KILLN4	KOR-4	1-1/4"
KILLN5	KOR-5	1-1/2"
KILLN6	KOR-6	2"
KILLN7	—	2-1/2"
KILLN8	—	3"

① 2-1/2" through 3" are malleable, with hexhead flats.

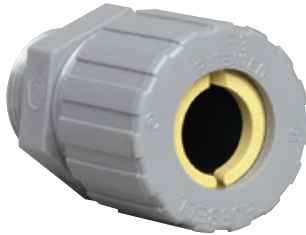
② Neoprene washers are mounted on steel reinforcing bands.





FITTINGS

INCREASED SAFETY CORROSION RESISTANT NYLON CORD CONNECTORS



ZS210CR-EX



ZN210CR-EX

CSA US AEx (Class I, Zone 1) Ex e II† Type 4**

UL LISTED - File E22698

SP Certified - File LR73478
See files for details or call Killark.

FEATURES-SPECIFICATIONS

Applications

Durable nylon construction makes these connectors perfectly suited to corrosive environments.

Typical applications for nylon cord connectors include food processing facilities, chemical and sewage treatment plants and off-shore and dockside installations.

Features

- Nylon retention ring for increased holding power
- Neoprene bushing seals against moisture
- Nylon connectors obtain approximately the same cord retention values with hand tightening that can be produced only by wrench tightening of metal cord connectors

Material

- Nylon

Z NYLON CORD CONNECTORS – STRAIGHT

CATALOG NUMBER*	NPT SIZE	CORD RANGES	COLOR CODE
ZS002CR-EX	3/8"	.125-.187	Orange
ZS003CR-EX	3/8"	.187-.250	Red
ZS004CR-EX	3/8"	.250-.312	Black
ZS006CR-EX	3/8"	.312-.375	White
ZS007CR-EX	3/8"	.375-.437	Blue
ZS101CR-EX	1/2"	.062-.125	Green
ZS102CR-EX	1/2"	.125-.187	Orange
ZS103CR-EX	1/2"	.187-.250	Red
ZS105CR-EX	1/2"	.250-.375	White
ZS108CR-EX	1/2"	.375-.500	Blue
ZS109CR-EX	1/2"	.500-.625	Brown
ZS208CR-EX	3/4"	.375-.500	Blue
ZS209CR-EX	3/4"	.500-.625	Brown
ZS210CR-EX	3/4"	.625-.750	Yellow
ZS211CR-EX*	3/4"	.750-.875	Purple
ZS308CR-EX	1"	.375-.500	Blue
ZS309CR-EX	1"	.500-.625	Brown
ZS310CR-EX	1"	.625-.750	Yellow
ZS311CR-EX	1"	.750-.875	Purple
ZS312CR-EX	1"	.875-1.000	Gray
ZS313CR-EX*	1"	1.000-1.125	Pink

* Cable Jacket may have to be stripped to pass through connector body.

Z NYLON CORD CONNECTORS – 90°

CATALOG NUMBER*	NPT SIZE	CORD RANGES	COLOR CODE
ZN102CR-EX	1/2"	.125-.187	Orange
ZN103CR-EX	1/2"	.187-.250	Red
ZN105CR-EX	1/2"	.250-.375	White
ZN108CR-EX	1/2"	.375-.500	Blue
ZN109CR-EX	1/2"	.500-.625	Brown
ZN208CR-EX	3/4"	.375-.500	Blue
ZN209CR-EX	3/4"	.500-.625	Brown
ZN210CR-EX*	3/4"	.625-.750	Yellow
ZN211CR-EX*	3/4"	.750-.875	Purple
ZN310CR-EX	1"	.625-.750	Yellow
ZN311CR-EX	1"	.750-.875	Purple
ZN312CR-EX*	1"	.875-1.000	Gray

OPTIONAL LOCKNUTS

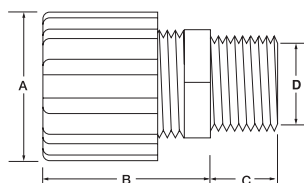
CATALOG NUMBER	NPT SIZE
LN-375CR	3/8"
LN-1CR	1/2"
LN-2CR	3/4"
LN-3CR	1"

† Listed by CSA for Class I, Zone 1 in Canada. Listed by CSA as a Nationally recognized test lab (NRTL) for Class I, Div. 2, Class I, Zone 2 in the United States.

** Type 4 when installed with a proper gasket.

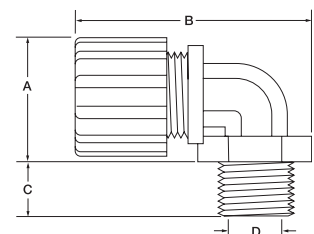
Z STRAIGHT DIMENSIONS

NPT SIZE	DIMENSIONS			
	A	B	C	D
3/8"	63/64"	1-3/32"	7/16"	7/16"
1/2"	1-1/4"	1-1/2"	17/32"	37/64"
3/4"	1-31/64"	1-5/8"	35/64"	49/64"
1"	1-27/32"	1-3/4"	11/16"	1-1/16"



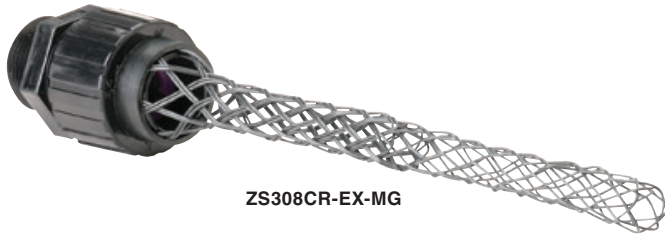
Z 90° DIMENSIONS

NPT SIZE	DIMENSIONS			
	A	B	C	D
1/2"	1-13/32"	2-1/2"	17/32"	1-1/2"
3/4"	1-21/32"	2-51/64"	35/64"	49/64"
1"	1-63/64"	3-19/64"	11/16"	1-1/64"





INCREASED SAFETY CORROSION RESISTANT NYLON CORD CONNECTORS



ZS308CR-EX-MG

CSA US AEx (Class I, Zone 1) Ex e II†
Type 4**

UL LISTED - File E22698

SP Certified - File LR73478
See files for details or call Killark.

FEATURES-SPECIFICATIONS

Applications

Durable nylon construction makes these connectors perfectly suited to corrosive environments.

Typical applications for nylon cord connectors include food processing facilities, chemical and sewage treatment plants and off-shore and dockside installations.

Features

- Nylon retention ring for increased holding power
- Neoprene bushing seals against moisture
- Nylon connectors obtain approximately the same cord retention values with hand tightening that can be produced only by wrench tightening of metal cord connectors

Material

- Nylon
- Kevlar mesh grip

Z NYLON CORD CONNECTORS – STRAIGHT

CATALOG NUMBER*	NPT SIZE	CORD RANGES	COLOR CODE
ZS003CR-EX-MG	3/8"	.187-.250	Red
ZS004CR-EX-MG	3/8"	.250-.312	Black
ZS006CR-EX-MG	3/8"	.312-.375	White
ZS103CR-EX-MG	1/2"	.187-.250	Red
ZS105CR-EX-MG	1/2"	.250-.375	White
ZS108CR-EX-MG	1/2"	.375-.500	Blue
ZS208CR-EX-MG	3/4"	.375-.500	Blue
ZS209CR-EX-MG	3/4"	.500-.625	Brown
ZS210CR-EX-MG	3/4"	.625-.750	Yellow
ZS309CR-EX-MG	1"	.500-.625	Brown
ZS310CR-EX-MG	1"	.625-.750	Yellow
ZS311CR-EX-MG	1"	.750-.875	Purple
ZS312CR-EX-MG	1"	.875-1.000	Gray

Z NYLON CORD CONNECTORS – 90°

CATALOG NUMBER*	NPT SIZE	CORD RANGES	COLOR CODE
ZN105CR-EX-MG	1/2"	.250-.375	White
ZN108CR-EX-MG	1/2"	.375-.500	Blue
ZN208CR-EX-MG	3/4"	.375-.500	Blue
ZN209CR-EX-MG	3/4"	.500-.625	Brown
ZN210CR-EX-MG	3/4"	.625-.750	Yellow
ZN310CR-EX-MG	1"	.625-.750	Yellow
ZN311CR-EX-MG	1"	.750-.875	Purple

OPTIONAL LOCKNUTS

CATALOG NUMBER	NPT SIZE
LN-375CR	3/8"
LN-1CR	1/2"
LN-2CR	3/4"
LN-3CR	1"

Z STRAIGHT DIMENSIONS

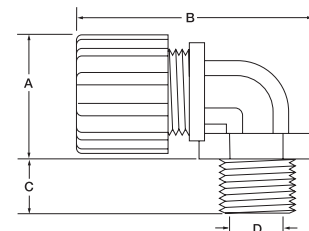
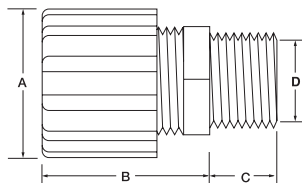
NPT SIZE	DIMENSIONS			
	A	B	C	D
3/8"	63/64"	1-3/32"	7/16"	7/16"
1/2"	1-1/4"	1-1/2"	17/32"	37/64"
3/4"	1-31/64"	1-5/8"	35/64"	49/64"
1"	1-27/32"	1-3/4"	11/16"	1-1/16"

Z 90° DIMENSIONS

NPT SIZE	DIMENSIONS			
	A	B	C	D
1/2"	1-13/32"	2-1/2"	17/32"	1-1/2"
3/4"	1-21/32"	2-51/64"	35/64"	49/64"
1"	1-63/64"	3-19/64"	11/16"	1-1/64"

† Listed by CSA for Class I, Zone 1 in Canada. Listed by CSA as a Nationally recognized test lab (NRTL) for Class I, Div. 2, Class I, Zone 2 in the United States.

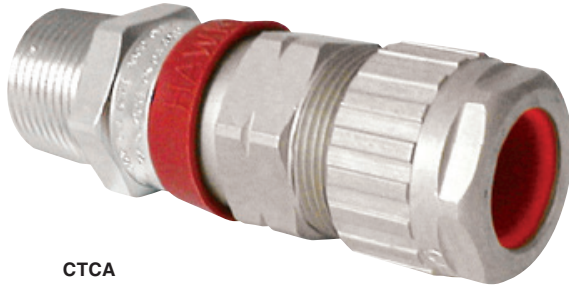
** Type 4 when installed with a proper gasket.





FITTINGS

BARRIER TYPE FOR USE WITH UNARMORED CABLES



CTCA

Class I, Div. 2, Groups A, B, C, D
 Class I, Zone 2, AEx d IIC
 Class I, Zone 2, AEx e II
 Class II, Div. 2, Groups F, G
 Class III
 IP66
 NEMA 4X



FEATURES-SPECIFICATIONS

Applications

- Outdoor or Indoor use.
- For use with non armored cable, as permitted by the NEC.

Features

- Provides a barrier seal between the individual insulated conductors within the cable and prevents entry of the products of an explosion into the cable.

- Assembly of the cable gland compresses and distributes the compound evenly to effect a barrier seal at the point of entry into the enclosure.
- Provides an outer deluge seal to prevent moisture ingress to the cable armor and enclosure. Deluge seal is colored red to indicate Hazardous Area product.
- Provides a cable retention and low smoke and fume, zero halogen seal onto the cables outer sheath.

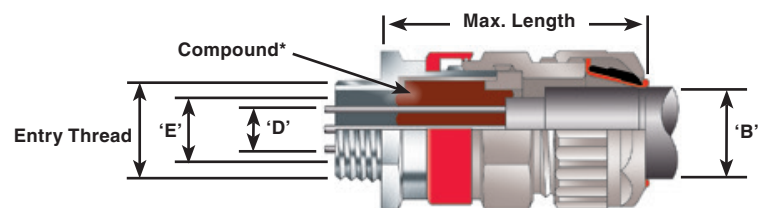
Materials

- Copper free aluminum (less than 4/10 of 1%)

Operating Temperature Range

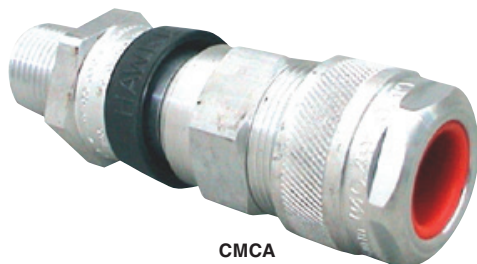
- -50°C to +60°C

CATALOG NUMBER	SIZE REF.	ENTRY THREAD SIZE		CABLE ACCEPTANCE DETAILS					'G'	HEXAGON DIMENSIONS	
				INNER SHEATH/ CORES			OUTER JACKET 'B'			ACROSS FLATS	ACROSS CORNERS
		NPT SIZE	METRIC	'D' MAX. OVER CORES	'E' MAX. INNER SHEATH	MAX. NO. OF CORES	MIN.	MAX.			
CTCAS050S	Os	1/2"	M20	0.35"	0.39"	6	0.22"	0.47"	2.81"	1.125"	1.25"
CTCA0050	O	1/2"	M20	0.35"	0.39"	6	0.37"	0.63"	2.81"	1.125"	1.25"
CTCAA050L	A	1/2"	M20	0.43"	0.64"	10	0.49"	0.81"	2.84"	1.375"	1.50"
CTCAB075	B	3/4"	M25	0.64"	0.93"	21	0.66"	1.02"	2.95"	1.625"	1.75"
CTCAC100	C	1"	M32	0.86"	1.23"	42	0.87"	1.30"	3.11"	2.00"	2.13"
CTCAC2125	C2	1 1/4"	M40	1.04"	1.59"	60	1.10"	1.61"	3.26"	2.375"	2.53"
CTCAD200	D	2"	M50	1.46"	1.96"	80	1.42"	2.07"	3.36"	2.55"	2.83"
CTCAE250	E	2 1/2"	M63	1.88"	2.55"	100	1.81"	2.57"	3.56"	3.15"	3.46"
CTCAF300	F	3"	M75	2.32"	2.98"	120	2.24"	3.07"	3.76"	3.74"	4.00"





ALUMINUM CABLE CONNECTORS



CMCA

Class I, Div. 2†, Groups A, B, C, D
 Class I, Zone 1, AEx e II
 Class II, Div. 1 & 2, Groups E, F, G
 Class III
 Class I, Zones 1 & 2†
 Suitable for wet locations
 Types 3, 4, 4X
 IP66



CLENCHER®

FEATURES-SPECIFICATIONS

Applications

Designed for use with jacketed interlocked and continuously welded/corrugated armor cable where it is essential to provide positive grounding of cable armor and a NEMA 3, 4, 4X connection. e.g. TECK® or MC type cable. Use outdoors or indoors.

Features

- Provides 360° armor grounding which is fully inspectable.
- Grounding Device remains in contact with cable when disassembled for inspection.

- Provides cable retention and a low smoke and fume, zero halogen seal onto the cables outer sheath.
- Provides an outer deluge seal to prevent moisture ingress to the cable armor and enclosure.

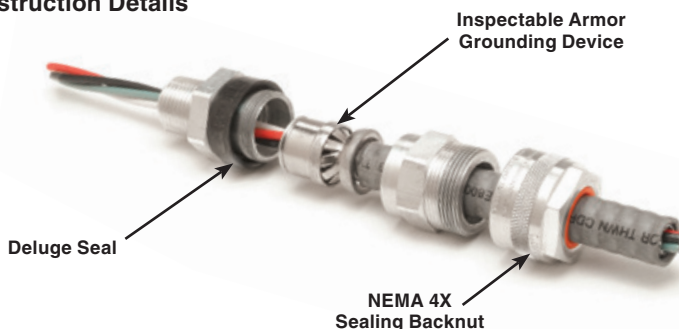
Materials

- Copper free aluminum (less than 4/10 of 1%)

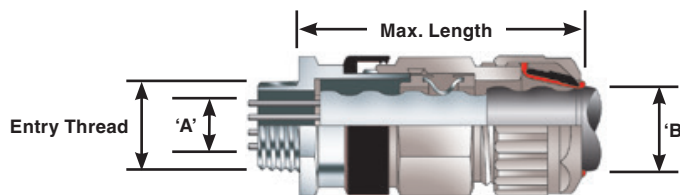
Operating Temperature Range

- -50°C to +60°C

Construction Details



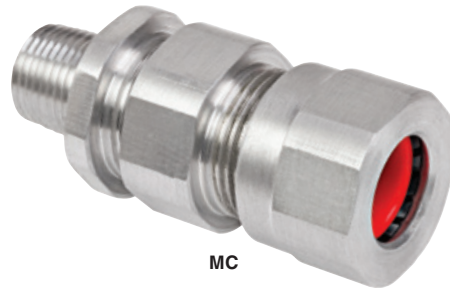
CATALOG NUMBER	SIZE REF.	ENTRY THREAD SIZE		CABLE ACCEPTANCE DETAILS				MAX. LENGTH	HEXAGON DIMENSIONS	
		NPT SIZE	METRIC	INNER SHEATH/CORES		OUTER JACKET 'B'			ACROSS FLATS	ACROSS CORNERS
				ARMOR SHEATH 'A'		MIN.	MAX.			
				MIN.	MAX.					
CMCAA050	A	1/2"	M20	0.41"	0.64"	0.49"	0.80"	3.35"	1.375"	1.50"
CMCAB075	B	3/4"	M25	0.49"	0.93"	0.66"	1.02"	3.61"	1.625"	1.75"
CMCAC100	C	1"	M32	0.85"	1.23"	0.87"	1.29"	3.90"	2.00"	2.13"
CMCAC2125	C2	1 1/4"	M40	1.17"	1.59"	1.10"	1.61"	4.01"	2.375"	2.53"
CMCAD150	D	1 1/2"	M50	1.37"	1.96"	1.42"	2.07"	4.94"	2.55"	2.83"
CMCAD200	D	2"	M50	1.37"	1.96"	1.42"	2.07"	4.94"	2.55"	2.83"
CMCAE250	E	2 1/2"	M63	1.76"	2.55"	1.81"	2.57"	5.15"	3.15"	3.46"
CMCAF300	F	3"	M75	2.29"	2.98"	2.24"	3.07"	5.17"	3.74"	4.00"
CMCAH350	H	3 1/2"	M90	2.92"	3.47"	3.18"	3.52"	5.17"	4.19"	4.53"





FITTINGS

ALUMINUM CABLE CONNECTORS



Class I, Div. 2†, Groups A, B, C, D
 Class II, Div. 1 & 2, Groups E, F, G
 Class III
 Class I, Zone 2†, Group IIC, Zone 20
 Suitable for wet locations
 Types 3, 4
 IP66



CLENCHER®

FEATURES-SPECIFICATIONS

Applications

Designed for use with jacketed interlocked, continuously corrugated and welded armor cable (all types shown in chart below). Install where it is essential to provide positive grounding to the cable and for a Type 3,4 connection.

Features

- 360° armor grounding spring is reusable.
- Robust threads and world class seal enables easy installation with minimal torque required.
- Design meets and exceeds third party requirements for cable retention.
- Provides sealing back nut plus inner o-ring seal to prevent moisture ingress to the cable armor and enclosure.
- Copper free aluminum construction for hostile, corrosive and certain hazardous locations

Materials

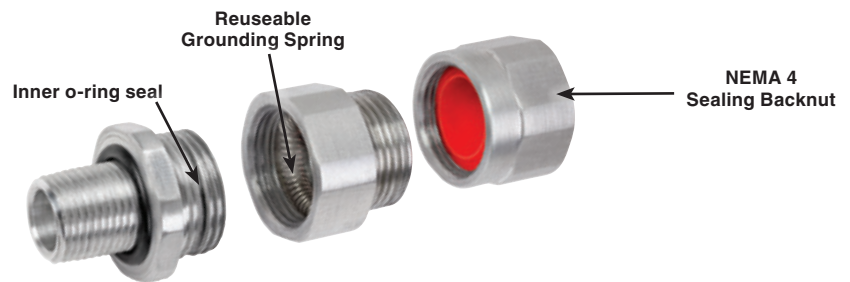
- Body – Copper free aluminum (less than 4/10 of 1%)
- Ground Spring – Stainless Steel
- Backnut Seal – Thermoplastic elastomer (silicone)

- Backnut Clamp – Nylon
- Inner and Outer O-rings – Nitrile

Operating Temperature Range

- -50°C to +60°C

Construction Details



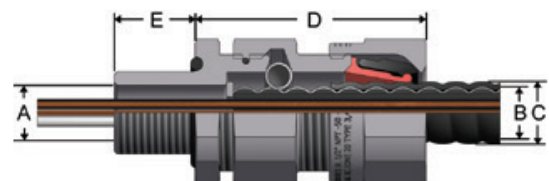
SUITABLE ARMORED/METAL CLAD CABLE TYPES	
AC-	AC90, ACWU90, AC90-HL, ACWU90-HL, ACG90, ACGWU90
MC-	MCC, MCI, MCI-A, MC-HL
RA-	RA90, RA90-HL
TECK-	TECK90, TECK90-HL

CATALOG NUMBER	ENTRY THREAD SIZE (NPT)	CABLE ACCEPTANCE DETAILS						MAX LENGTH 'D'	NPT LENGTH 'E'	HEXAGON DIMENSIONS	
		MAX NUMBER OF CORES	THROUGH DIAMETER 'A'	ARMOR DIAMETER 'B'		DIAMETER 'C'				ACROSS FLATS	ACROSS CORNERS
				MIN.	MAX.	MIN.	MAX.				
MC1C	1/2"	10	0.56" (14.2)	0.52" (13.2)	0.74" (18.8)	0.60" (15.2)	0.82" (20.8)	2.3" (58)	0.83" (21.1)	1.42" (36)	1.50" (38.1)
MC2	3/4"	21	0.80" (20.3)	0.65" (16.5)	0.95" (24.1)	0.73" (18.5)	1.03" (26.2)	2.5" (64)	0.84" (21.3)	1.61" (41)	1.69" (42.9)
MC3	1"	42	1.04" (26.4)	0.89" (22.6)	1.23" (31.2)	0.97" (24.6)	1.31" (33.3)	2.6" (66)	1.03" (26.2)	1.97" (50)	2.13" (54.1)
MC4	1 1/4"	73	1.28" (32.5)	1.15" (29.5)	1.48" (37.6)	1.23" (31.2)	1.56" (39.6)	3.1" (79)	1.05" (26.7)	2.36" (60)	2.50" (63.5)

Cable armor diameter and cable jacket diameter refer to the dimensions across the crest.

† Where explosion proof/flameproof enclosures are being used the MC must be installed in conjunction with an approved sealing fitting. In Division 2 areas the MC can be fitted directly to an enclosure which has no source of ignition.

* For metric sizes, consult factory.





ALUMINUM CABLE CONNECTORS



CMCXA

Class I, Div. 1 & 2, Groups A, B, C, D
 Class I, Zone 1, AEx d IIC
 Class I, Zone 1, AEx e II
 Class II, Div. 1 & 2, Groups E, F, G
 Class III
 Suitable for wet locations
 Types 3, 4, 4X
 IP66



CLENCHER®

FEATURES-SPECIFICATIONS

Applications

Designed for use with jacketed interlocked and continuously welded/corrugated armor cable where it is necessary to provide a complete gas block/explosion proof seal to the cable, plus a NEMA 3, 4, 4X connection. Example: TECK® or MC-HL type cable. Use outdoors or indoors.

Features

- Provides 360° armor grounding which is fully inspectable.
- Grounding Device remains in contact with cable when disassembled for inspection.
- Provides a barrier seal between the individual insulated cores within the cable and prevents entry of the products of an explosion into the cable.
- Assembly of the cable gland compresses and distributes the compound evenly to create a barrier seal at the point of entry into the enclosure

- Provides cable retention and a low smoke and fume, zero halogen seal onto the cables outer sheath.
- Provides an outer deluge seal to prevent moisture ingress to the cable armor and enclosure. Deluge seal is colored red to indicate Hazardous Area product.

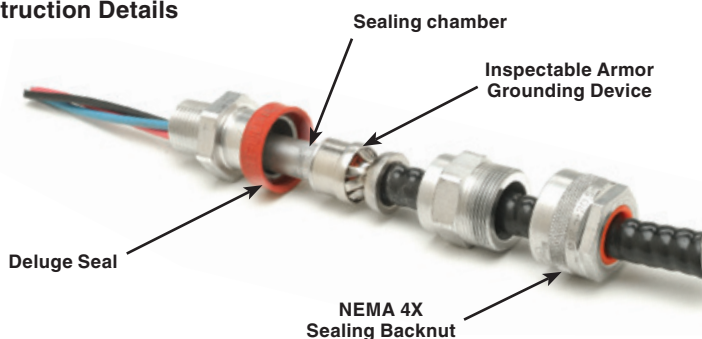
Materials

- Copper free aluminum (less than 4/10 of 1%)

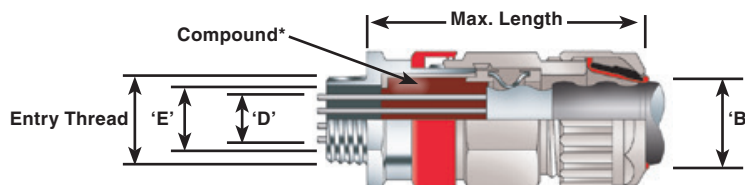
Operating Temperature Range

- -50°C to +60°C

Construction Details



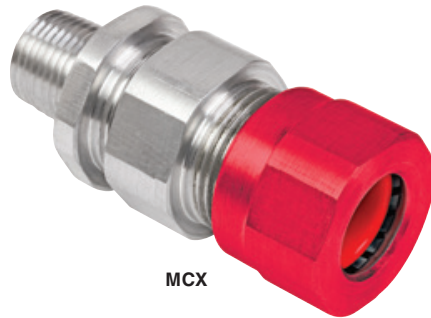
CATALOG NUMBER	SIZE REF.	ENTRY THREAD SIZE		CABLE ACCEPTANCE DETAILS						MAX. LENGTH	HEXAGON DIMENSIONS	
		NPT SIZE	METRIC	'D' MAX. OVER CORES	INNER SHEATH/ CORES		MAX. NO. OF CORES	OUTER JACKET 'B'			ACROSS FLATS	ACROSS CORNERS
					MIN.	MAX.		MIN.	MAX.			
CMCXAA050	A	1/2"	M20	0.43"	0.41"	0.64"	10	0.49"	0.80"	2.95"	1.375"	1.50"
CMCXAB075	B	3/4"	M25	0.64"	0.49"	0.93"	21	0.66"	1.02"	3.20"	1.625"	1.75"
CMCXAC100	C	1"	M32	0.86"	0.85"	1.23"	42	0.87"	1.29"	3.54"	2.00"	2.13"
CMCXAC2125	C2	1 1/4"	M40	1.04"	1.17"	1.59"	60	1.10"	1.61"	3.73"	2.375"	2.53"
CMCXAD150	D	1 1/2"	M50	1.46"	1.37"	1.96"	80	1.42"	2.07"	5.08"	2.55"	2.83"
CMCXAD200	D	2"	M50	1.46"	1.37"	1.96"	80	1.42"	2.07"	5.08"	2.55"	2.83"
CMCXAE250	E	2 1/2"	M63	1.88"	1.76"	2.55"	100	1.81"	2.57"	5.11"	3.15"	3.46"
CMCXAF300	F	3"	M75	2.32"	2.29"	2.98"	120	2.24"	3.07"	4.88"	3.74"	4.00"
CMCXAH350	H	3 1/2"	M90	2.79"	2.92"	3.47"	120	3.18"	3.52"	5.02"	4.19"	4.53"





FITTINGS

ALUMINUM CABLE CONNECTORS



MCX

Class I, Div. 1 & 2, Groups A, B, C, D
 Class II, Div. 1 & 2, Groups E, F, G
 Class III
 Class I, Zones 1 & 2, Group IIC, Zone 20
 Suitable for wet locations
 Types 3, 4
 IP66



CLENCHER[®]

FEATURES-SPECIFICATIONS

Applications

Designed for use with jacketed interlocked, continuously corrugated and welded armor cable (all types shown in chart below). Install where it is essential to provide positive grounding to the cable with a complete gas block/explosion proof seal. Also for a Type 3,4 connection.

Features

- 360° armor grounding spring is reusable.
- Robust threads and world class seal enables easy installation with minimal torque required.
- Provides a barrier seal between the individual insulated cores within the cable and prevents entry of the products of an explosion into the cable.
- Assembly of the cable gland compresses and distributes the compound evenly to create a barrier seal at the point of entry into the enclosure.

- Provides cable retention and a low smoke and fume, zero halogen seal onto the cables outer sheath.
- Design meets and exceeds third party requirements for cable retention
- Provides sealing back nut plus inner o-ring seal to prevent moisture ingress to the cable armor and enclosure
- Copper free aluminum construction for harsh, corrosive and hazardous duty
- Back nut is RED to indicate HAZARDOUS area product.

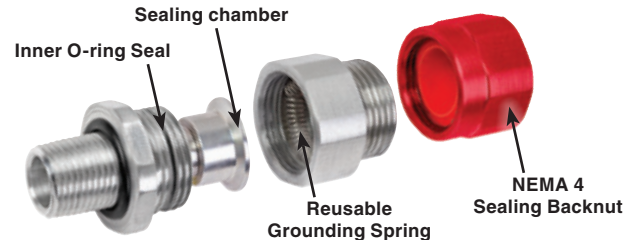
Materials

- Body – Copper free aluminum (less than 4/10 of 1%)
- Ground Spring – Stainless Steel
- Backnut Seal – Thermoplastic elastomer (silicone)
- Backnut Clamp – Nylon
- Inner and Outer O-rings – Nitrile

Operating Temperature Range

- -50°C to +60°C

Construction Details

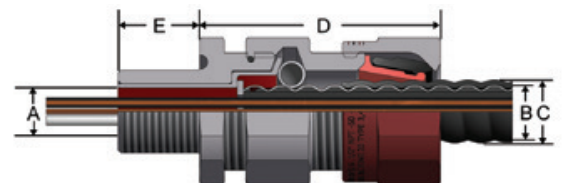


SUITABLE ARMORED/METAL CLAD CABLE TYPES	
AC-	AC90, ACWU90, AC90-HL, ACWU90-HL, ACG90, ACGWU90
MC-	MCC, MCI, MCI-A, MC-HL
RA-	RA90, RA90-HL
TECK-	TECK90, TECK90-HL

CATALOG NUMBER	ENTRY THREAD SIZE (NPT)	CABLE ACCEPTANCE DETAILS						MAX LENGTH 'D'	NPT LENGTH 'E'	HEXAGON DIMENSIONS	
		MAX NUMBER OF CORES	THROUGH DIAMETER 'A'	ARMOR DIAMETER 'B'		DIAMETER 'C'				ACROSS FLATS	ACROSS CORNERS
				MIN.	MAX.	MIN.	MAX.				
MCX1C	1/2"	10	0.48" (12.2)	0.52" (13.2)	0.74" (18.8)	0.60" (15.2)	0.82" (20.8)	2.4" (61)	0.83" (21.1)	1.42" (36)	1.50" (38.1)
MCX2	3/4"	21	0.71" (18.1)	0.65" (16.5)	0.95" (24.1)	0.73" (18.5)	1.03" (26.2)	2.6" (66)	0.84" (21.3)	1.61" (41)	1.69" (42.9)
MCX3	1"	42	0.96" (26.4)	0.89" (22.6)	1.23" (31.2)	0.97" (24.6)	1.31" (33.3)	2.7" (69)	1.03" (26.2)	1.97" (50)	2.13" (54.1)
MCX4	1 1/4"	73	1.16" (29.5)	1.15" (29.5)	1.48" (37.6)	1.23" (31.2)	1.56" (39.6)	3.2" (81)	1.05" (26.7)	2.36" (60)	2.50" (63.5)

Cable armor diameter and cable jacket diameter refer to the dimensions across the crest.

*For metric sizes, consult factory.





SEALING WASHERS AND LOCKNUTS



SWZ60-050NPT



LNZ10-050NPT



ZHLN-170

FEATURES-SPECIFICATIONS

SEALING (IP) WASHERS

Sealing washers are commonly used with cable glands or similar fittings entering an enclosure. While these products are not threaded, they are available with clearance holes to accommodate NPT threads. Sealing washers are available in nylon.

LOCKNUTS

These fittings are commonly used to secure cable glands or similar products entering an enclosure. These products are available in NPT threads. These products are available in nickel plated brass.

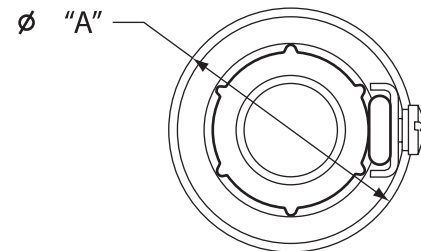
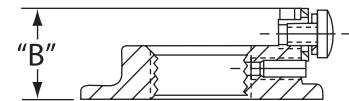
INCREASED SAFETY LOCKNUTS

Used to secure conduit hubs or similar products entering an enclosure, these zinc locknuts have an increased safety terminal for grounding purposes.

SWZ NYLON WASHERS	
NPT	
SIZE	CATALOG NUMBER
1/2"	SWZ60-050NPT
3/4"	SWZ60-075NPT
1"	SWZ60-100NPT
1-1/4"	SWZ60-125NPT
1-1/2"	SWZ60-150NPT
2"	SWZ60-200NPT
2-1/2"	SWZ60-250NPT
3"	SWZ60-300NPT
3-1/2"	SWZ60-350NPT

LNZ BRASS LOCKNUTS	
NPT	
SIZE	CATALOG NUMBER
1/2"	LNZ10-050NPT
3/4"	LNZ10-075NPT
1"	LNZ10-100NPT
1-1/4"	LNZ10-125NPT
1-1/2"	LNZ10-150NPT
2"	LNZ10-200NPT
2-1/2"	LNZ10-250NPT
3"	LNZ10-300NPT

ZHLN ZINC LOCKNUTS			
NPT		DIMENSIONS	
SIZE	CATALOG NUMBER	DIAMETER A	HEIGHT B
1/2"	ZHLN-170	1.5"	11/16"
3/4"	ZHLN-270	1.7"	3/4"
1"	ZHLN-370	2.0"	3/4"
1-1/4"	ZHLN-470	2.4"	53/64"
1-1/2"	ZHLN-570	2.8"	31/32"
2"	ZHLN-670	3.3"	31/32"
2-1/2"	ZHLN-770	3.7"	1-1/4"
3"	ZHLN-870	4.4"	1-1/4"
3-1/2"	ZHLN-970	5.0"	1-5/16"





FITTINGS

PCC/ECC/RACC SERIES

CONDUIT CLAMPS



PARALLEL TYPE



EDGE TYPE



RIGHT ANGLE TYPE

CSPI Listed - File E213669

FEATURES-SPECIFICATIONS

Applications

- Designed to secure rigid metal conduit, IMC or EMT across, parallel or perpendicular to channel, beam and angle supports.

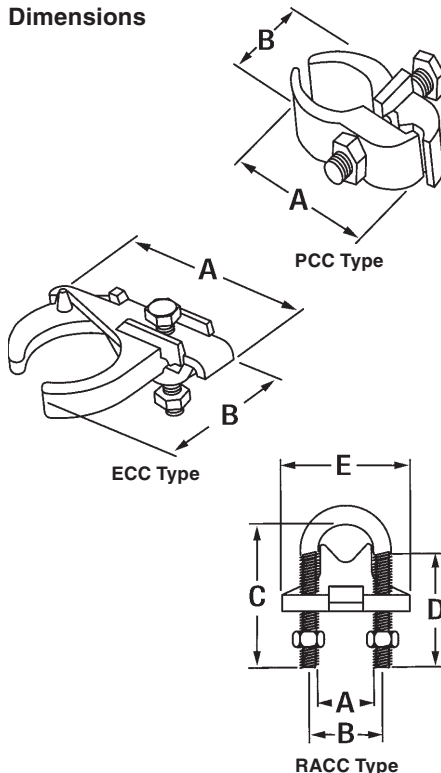
Features

- Three styles meet every installation need
- Heavy duty U-bolts, hex bolts and hex nuts
- Capable of supporting heavy loads

Material/Finish

- Malleable iron (hot dipped galvanized) with steel U-bolts and nuts (mechanically galvanized).

Dimensions



PCC PARALLEL TYPE CLAMPS			
CATALOG NUMBER	CONDUIT SIZE	A	B
PCC050	1/2"	2-7/8" (73)	1-7/16" (36)
PCC075	3/4"	3-1/16" (78)	1-11/16" (43)
PCC100	1"	3-1/4" (83)	2" (51)
PCC125	1-1/4"	3-5/8" (92)	2-1/8" (53)
PCC150	1-1/2"	3-7/8" (98)	2-3/16" (56)
PCC200	2"	4-5/8" (117)	2-7/8" (73)
PCC250	2-1/2"	5-1/4" (133)	3-1/4" (83)
PCC300	3"	5-1/8" (149)	3-1/8" (98)
PCC350	3-1/2"	6-5/16" (160)	4-5/16" (110)
PCC400	4"	6-13/16" (173)	4-13/16" (122)

ECC EDGE TYPE CLAMPS			
CATALOG NUMBER	CONDUIT SIZE	A	B
ECC050	1/2"	2-13/16" (71)	2-1/8" (54)
ECC075	3/4"	2-15/16" (75)	2-3/8" (60)
ECC100	1"	3-1/16" (78)	2-5/8" (67)
ECC125	1-1/4"	3-1/16" (78)	3-1/16" (78)
ECC150	1-1/2"	3-15/16" (100)	3-1/4" (83)
ECC200	2"	4-1/2" (114)	4-1/16" (103)
ECC250	2-1/2"	5-1/8" (130)	4-5/8" (117)
ECC300	3"	5-3/4" (146)	5-1/4" (133)

RACC RIGHT ANGLE TYPE CLAMPS						
CATALOG NUMBER	CONDUIT SIZE	A	B	C	D	E
RACC050	1/2"	1" (25)	1-1/4" (32)	2-1/2" (64)	1-13/16" (46)	2-1/16" (52)
RACC075	3/4"	1-1/8" (29)	1-3/8" (35)	2-13/16" (72)	1-13/16" (46)	2-1/4" (57)
RACC100	1"	1-3/8" (35)	1-5/8" (41)	3-1/16" (78)	1-13/16" (46)	2-9/16" (65)
RACC125	1-1/4"	1-3/4" (44)	2" (51)	3-3/16" (81)	1-13/16" (46)	2-7/8" (73)
RACC150	1-1/2"	2" (51)	2-3/8" (60)	3-1/2" (89)	1-13/16" (46)	3-1/4" (83)
RACC200	2"	2-1/2" (64)	2-1/2" (64)	4-1/2" (114)	2-5/8" (67)	4-1/16" (103)
RACC250	2-1/2"	2-1/2" (64)	3" (76)	3-1/4" (83)	4-7/8" (124)	2-5/8" (67)
RACC300	3"	3-5/8" (92)	3-7/8" (98)	5-3/8" (137)	2-5/8" (67)	5-1/8" (130)
RACC350	3-1/2"	4-1/16" (103)	4-9/16" (116)	5-7/8" (149)	2-5/8" (67)	5-5/8" (143)
RACC400	4"	4-11/16" (119)	5-1/16" (129)	6-11/16" (170)	2-5/8" (67)	6-1/8" (156)



NOTES

A series of horizontal lines for writing notes.