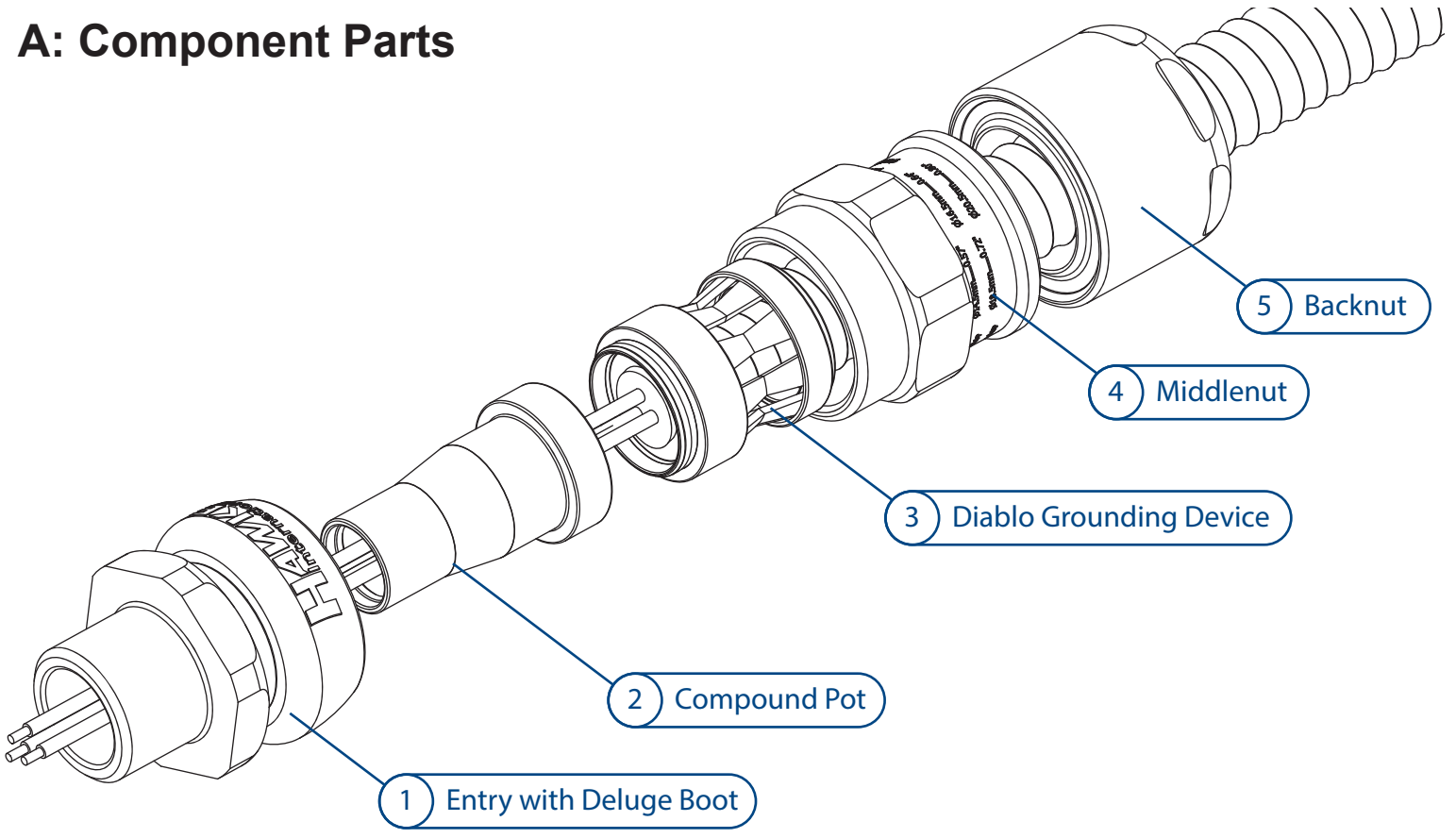


A: Component Parts

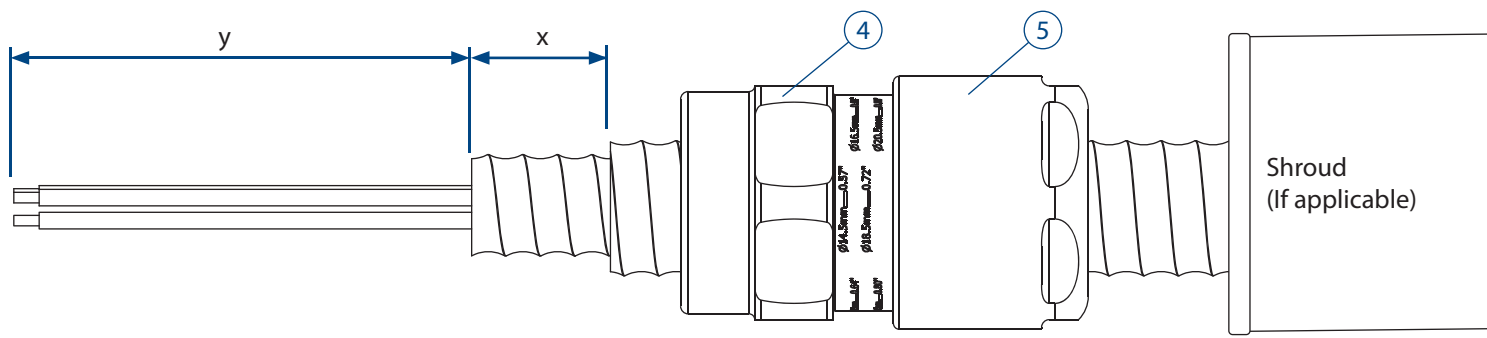


B: Cable Preparation

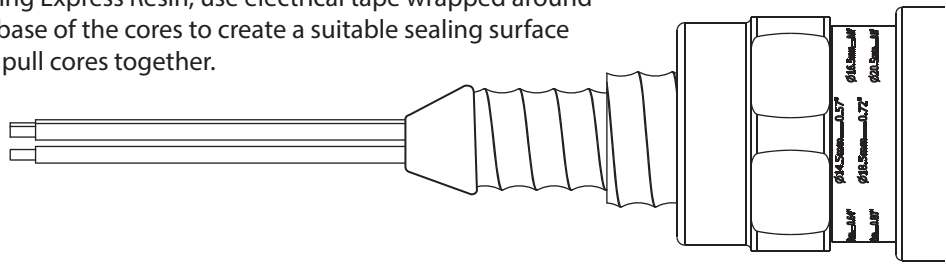
Strip cable to expose metal clad sheath. Strip length to suit equipment. Slide shroud (if applicable), backnut ⑤ and middlenut ④ onto cable.

For preparation of Drain Wires see separate AI 2028.

Strip Lengths				
Dim	Gland Size			
	A,B	C, C2	D, E	F
x	0.70"	0.83"	1.24"	1.34"
y	To suit equipment			



If using Express Resin, use electrical tape wrapped around the base of the cores to create a suitable sealing surface and pull cores together.

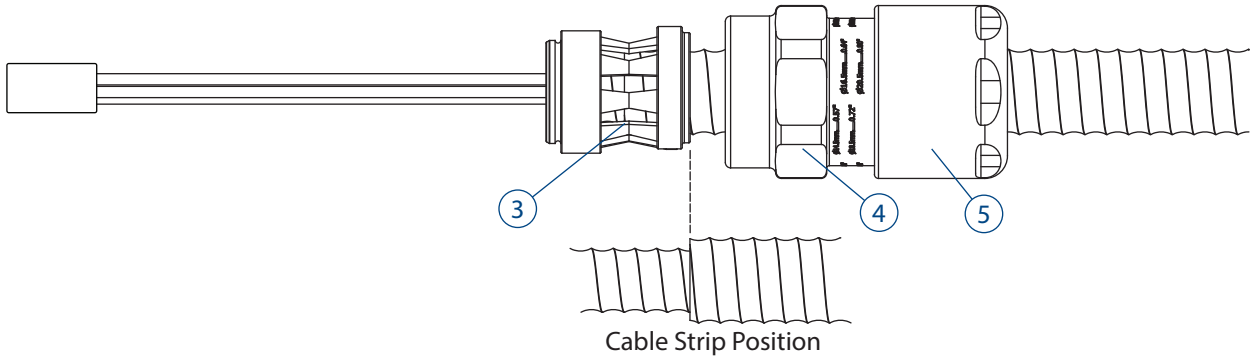


C: Installing Cable Gland

STEP 1: Fit Diablo

Apply electrical tape to core ends to prevent damage to rubber resin dam.

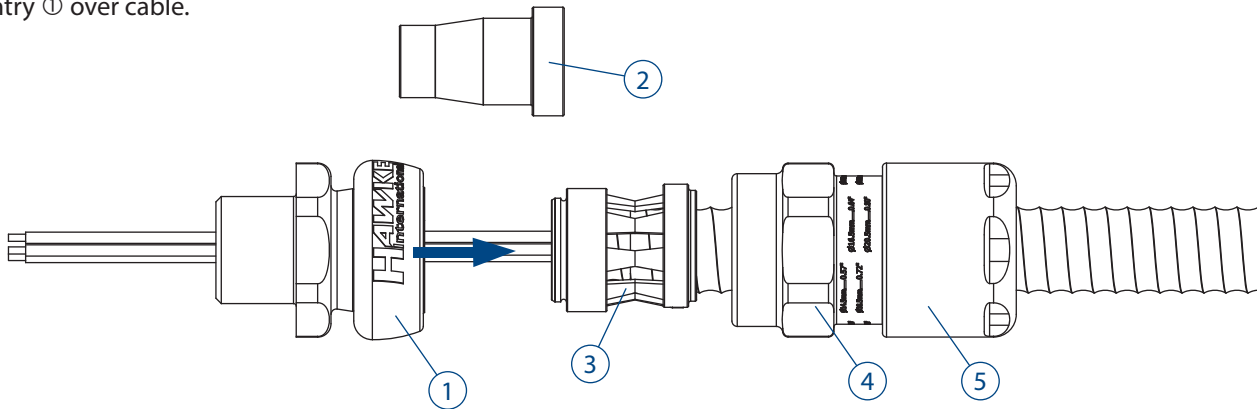
Slide diablo ③ onto cable. Ensure that diablo ③ is positioned over the exposed metal clad sheath, with the rear end of the diablo at the point where the cable is stripped as shown below. Remove tape.



STEP 2: Prepare to Clamp Armour/Braid

Ensure compound pot ② is removed from assembly.

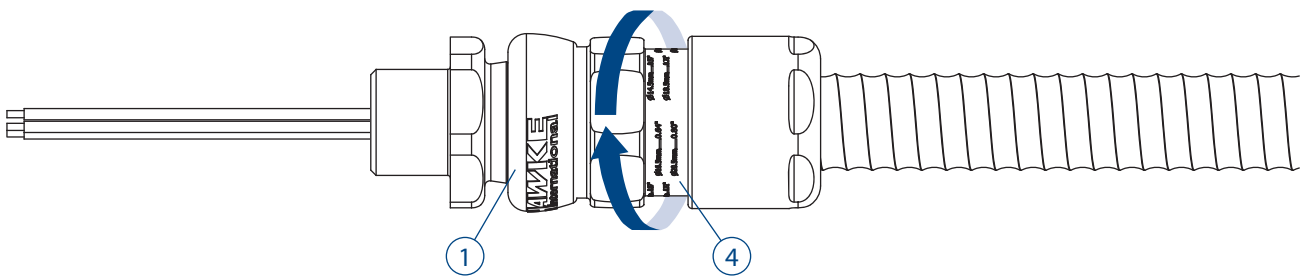
Slide Entry ① over cable.



STEP 3: Engage Diablo

Ensuring that the diablo stays in place, tighten the middle nut ④ onto the entry ① with a wrench until the diablo grips the metal clad sheath.

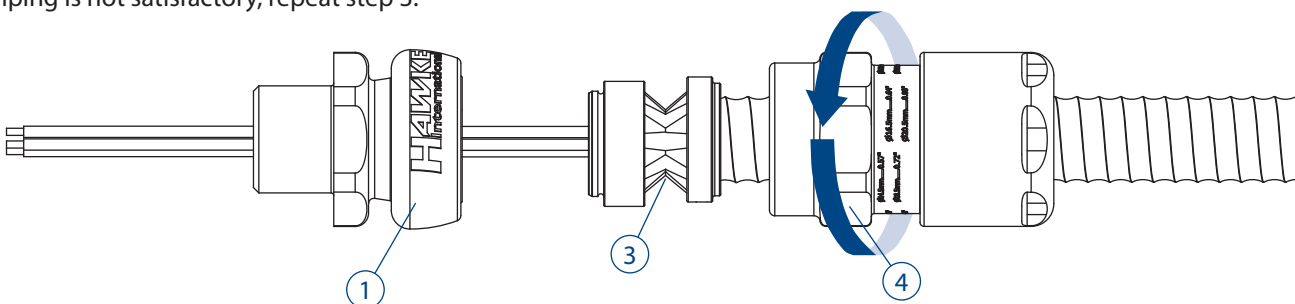
Tighten the middle nut ④ a further half turn with a wrench.



STEP 4: Inspect Armour/Braid

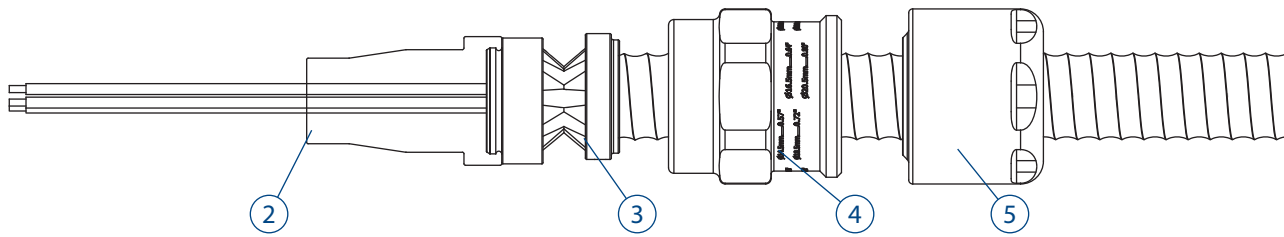
Unscrew the middle nut ④ and visually inspect that the diablo ③ has adequately clamped the metal clad sheath.

If clamping is not satisfactory, repeat step 3.



STEP 5: Fit Compound Pot

Fit the pot ② and check that the resin barrier is sealing on the taped cores.



STEP 6: Pot gland with compound

Gland assembly is now ready for compound. Refer to the correct instructions depending on compound type. These instructions are supplied with the compound.

HAWKESEAL

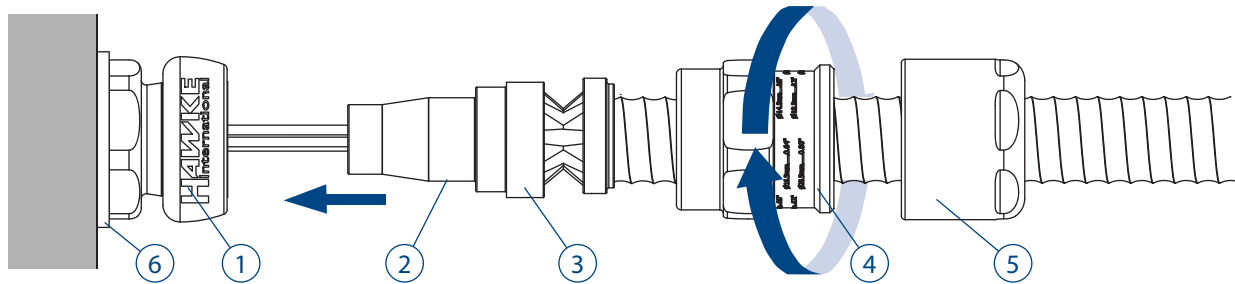
2-Part Epoxy Putty
See AI 2034



2-Part Pouring Epoxy Resin
See AI 2035

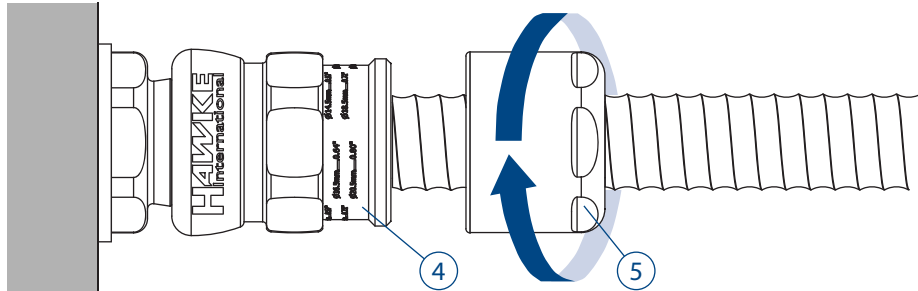
STEP 7: Fit to Enclosure

Now potting the gland is complete, use a wrench to fit entry ① into enclosure. If required, use the appropriate IP washer ⑥. Slide cable through entry ① until pot ② is seated in the entry. Hand tighten the middle nut ④ to entry and add 1/5 - 1/4 turn with a wrench.



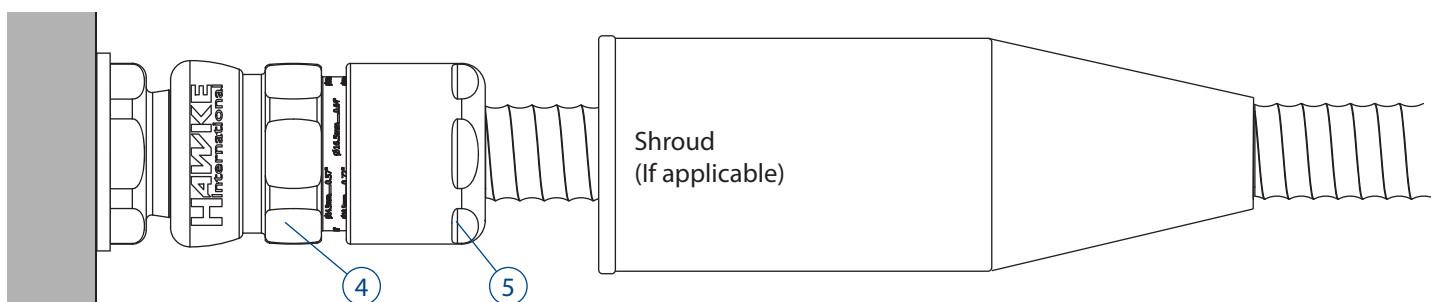
STEP 8: Install Backnut

Hand tighten the backnut ⑤ until a seal is formed around the cable. Use a wrench/spanner to grip the middle nut ④. While preventing the middle nut ④ turning, use a second wrench to apply one further full turn to the backnut ⑤.



STEP 9: Inspect Backnut

Use the middle nut ④ guide as an indication that the backnut ⑥ is in the correct position to suit cable diameter. A diameter scale below is provided to assist this process. Slide shroud over cable gland if applicable.



TECHNICAL DATA

Cable Gland Type: 711-X
Equipment Type: American Series Barrier Cable Glands
Ingress Protection: IP66, IP67, IP68*, IP69, NEMA 4X
 *30m for 7 days with thread sealant;
 10m for 24hrs no thread sealant; A-C sizes only

Operating Temp: -50°C to +80°C (UL)
 -60°C to +80°C (ATEX/IECEX)

CERTIFICATION DETAILS

UL: Class I, Zone 1, AEx d IIC, Ex db IIC Gb, AEx e IIC, Ex eb IIC Gb;
 Zone 21, AEx tb IIIC, Ex tb IIIC Db
 Class I, Zone 2, AEx d IIC, Ex db IIC Gb, AEx e IIC, Ex eb IIC Gc;
 Zone 22, AEx tb IIIC, Ex tb IIIC Dc

Class I Div 1 ABCD, Class II Div 1 EFG & Class III (ITC-HL; MC-HL)
 Class I Div 2 ABCD, Class II Div 2 FG & Class III (MC)

Listing No. E84940
 Sealing compound to be indicated in gland marking with SL suffix

ATEX/IECEX:
 Ex db IIC Gb / Ex eb IIC Gb / Ex tb IIIC Db
 ATEx: CML18ATEX1268X
 IECx: CML 18.0131X

TORQUE VALUES

All torque values below were generated on metallic mandrels. For cable, it is recommended that the assembly instructions are followed.

Torque Figures N/m									
Gland Size	Os	O	A	B	C	C2	D	E	F
Middlenut Torque	6	6	8	8	10	15	15	28	35
Backnut Torque	12	12	20	30	35	45	56	60	75

ACCESSORIES

Hawke offer the following accessories to enable correct ingress protection and grounding of cable gland.

Shroud: For additional corrosion protection
Locknut: To secure gland into position
Sealing Washer: For additional ingress protection
Earth Tag: For external bonding point
Serrated Washer: To prevent vibration loosening locknuts

SPECIFIC CONDITIONS OF USE

- When the gland is used for increased safety, the entry thread shall be suitably sealed to maintain the ingress protection rating of the associated enclosure.
- Compound cross section must be minimum 20% of total area over a depth of 20mm.

INSTALLATION NOTES

- All cable glands must be installed by a suitably trained and competent individual.
- Entry threads are in accordance with Metric BS3643 or ANSI/ASME B1.20.1
- Installer must check material compatibility with enclosure and environment.
- To maintain IP66/IP67/IP69, Hawke certified sealing washer or other approved sealing method must be used.
- Sealing face surface must be smooth and free from damage
- Wall thicknesses depended on thread length or retention type (locknut etc). Exd must maintain the requirements of IEC/EN 60079-1
- All entries must be installed perpendicular to the mounting surface.

CABLE GLAND SELECTION TABLE

Size Ref.	Entry Thread Size		Cable Acceptance Details						Max Length	Hexagon Dimensions	
			Metal Clad Sheath		Cores		Outer Sheath			Across Flats	Across Corners
	Metric	NPT	Min. Dia	Max. Dia	Max. Over Cores	Max. No. of Cores	Min.	Max.			
A	M20	½" - ¾"	0.41"	0.64"	0.43"	15	0.49"	0.81"	2.94"	1.18"	1.28"
B	M25	¾" - 1"	0.55"	0.93"	0.63"	30	0.67"	1.02"	3.24"	1.42"	1.56"
C	M32	1" - 1¼"	0.85"	1.23"	0.86"	42	0.87"	1.30"	3.52"	1.81"	1.99"
C2	M40	1¼" - 1½"	1.17"	1.59"	1.05"	60	1.10"	1.61"	3.81"	2.17"	2.39"
D	M50	2"	1.37"	1.96"	1.48"	80	1.42"	2.07"	4.77"	2.56"	2.79"
E	M63	2½"	1.81"	2.55"	1.93"	100	1.81"	2.57"	4.74"	3.15"	3.46"
F	M75	3"	2.37"	2.98"	2.35"	120	2.24"	3.07"	4.94"	3.74"	4.09"

EU Declaration of Conformity in accordance with European Directive 2014/34/EU

Provisions of the Directive fulfilled by the Equipment:
 Group II Category 2/3 GD Ex eb IIC Gb, Ex db IIC Gb, Ex tb IIIC Db - IP66

Notified Body for EU-Type Examination: CML 2776 Chester UK
EU-type Examination Certificate: CML18ATEX1268X

Notified Body for production: SGS-Baseefa 1180 Buxton UK
Harmonised Standards used: EN 60079-0:2018, EN60079-1:2014, EN60079-7:2015, EN60079-31:2014

On behalf of the aforementioned company, I declare that, on the date the equipment accompanied by this declaration is placed on the market, the equipment conforms with all technical and regulatory requirements of the above listed directives.

.....
 A. Tindall
 Technical Manager