

Assembly Instructions for unions: 481 Male to Female 482 Female to Female

Operating temperature range -60°C +80°C

Schedule of Limitations

This component must not be used with a certified piece of equipment unless the certificate for the equipment specifically includes for its use.

The overall cross sectional area of the conductors must not exceed 40% of the cross sectional area of the bore of the fitting when three or more none sheathed, insulated, single or multi-core conductors pass through the fitting unless tested and specified.

Certification Details

Union Types: 481 & 482 Exdb IIC Gb
Baseefa1 1ATEX0155U (Ex) II 2 G IP54
IECEX BAS11.0077U
IEEx 15.0207U
EAC (Ex) TC RU C-GB.AA87.B.00430
c CSA us No: 2700364
Class I Zone 1 AExdb IIC Gb
(Optional: Class I Div 2 Groups ABCD)

Note: These instructions apply to each of the two union types with the exception that the 482 will fit onto male parts at either end of the union.

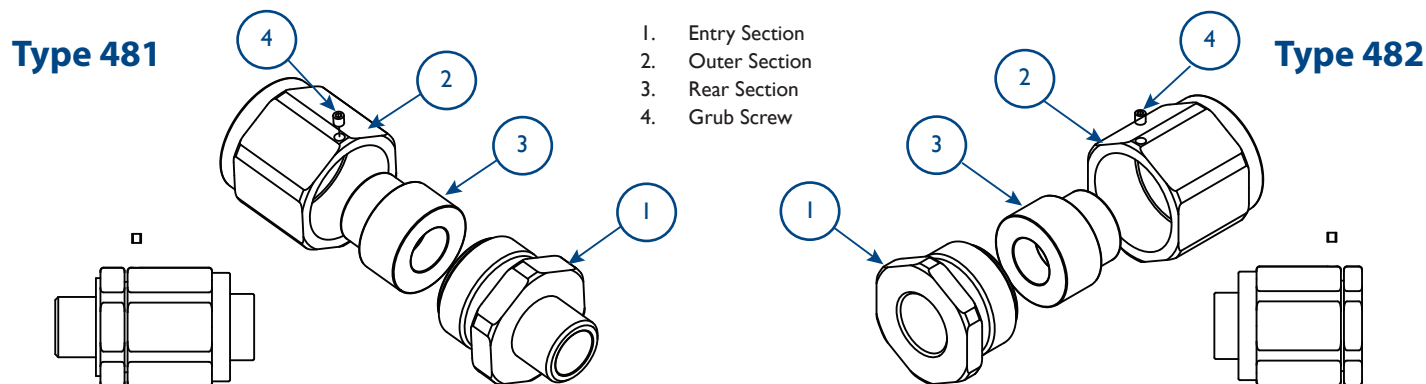


Fig. 1

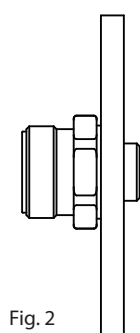


Fig. 2

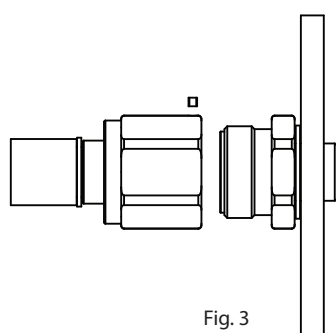


Fig. 3

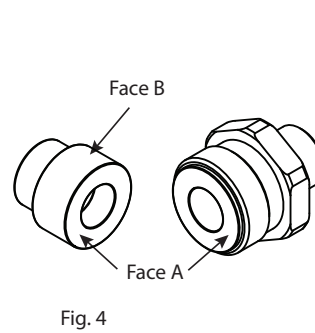


Fig. 4

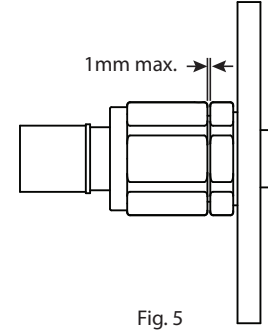


Fig. 5

Before Assembly:

Ensure that the thread in the enclosure and on the cable gland/conduit is the same size and form as the Union, ensuring that for parallel threads the thread engagement should be 5 full threads and 8mm axial engagement as a minimum. Tapered threads are to have an engagement of at least 3.5 full threads.

TYPICAL DIMENSIONS				
Male Thread Size Metric 'B'	Male Thread Length Metric	Female Thread Length Metric	Across Flats	Across Corners
M16	15	16.0	30	32.5
M20	15	16.0	36	39.5
M25	15	16.0	46	50.5
M32	15	16.0	46	50.5
M40	15	16.0	55	60.5
M50	15	16.0	80	88.0
M63	15	16.0	80	88.0
M75	15	16.0	95	104.0

NB: The dimensions above will vary when couplers with other thread forms are supplied.

1. Ensure that the thread sizes and thread forms in the union are compatible with that of the equipment (Fig. 1)
2. Loose and remove the 3mm grub screw and place in a safe place (Fig 1), disassemble union.
3. Fit a sealing washer or other means of acceptable thread seal for flameproof equipment in line with IEC / EN 60079-14 onto the male entry thread. (For 482, the seal / sealant would be applied to the equipment thread. Tighten the entry section into / onto the equipment and secure using a suitable spanner or wrench (Fig. 2).
4. Fit the outer section over the rear section as shown in Fig. 3, fit a sealing washer or apply suitable thread sealant to the male thread on the equipment and screw and secure the rear section on the equipment using a suitable wrench.
5. Any thread sealant used must be suitable for the temperature range of the union and the equipment.
6. Pass the conductors through the bore of the union.
7. Check that the flamepath faces A & B are clean and free of dirt or dust.
8. Pull the two mating flamepaths together and tighten the outer section onto the rear of the entry section using a suitable spanner or wrench. Secure the outer section.
9. There should be a small gap between the front face of the outer section and the entry hexagon section which should be no greater than 1mm.
10. Refit and tighten the 3mm grub screw to secure the outer section onto the entry section.

EU Declaration of Conformity in accordance with European Directive 2014/34/EU

Manufacturer: Hawke International

Address: Oxford Street West, Ashton-under-Lyne, OL7 0NA, United Kingdom

Equipment Type: 481 Male to Female and 482 Female to Female Unions (Group II)

Provisions of the Directive fulfilled by the Equipment: Group II Category 2GD Exdb IIC Gb – IP66

Notified Body for EU-Type Examination: SGS - Baseefa 1180 Buxton UK

EU-type Examination Certificate: Baseefa 11ATEX0155U

Notified Body for production: SGS- Baseefa 1180 Buxton UK

Harmonised Standards used: EN 60079-0:2012 +A11:2013, EN60079-1:2014

On behalf of the above named company, I declare that, on the date the equipment accompanied by this declaration is placed on the market, the equipment conforms with all technical and regulatory requirements of the above listed directives.


.....

A. Tindall
Technical Manager