

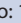

Temperature Range of Adaptors and Reducers:

- Standard Product - Without O-Ring fitted: - 60°C to +160°C
- Optional Nitrile O-Ring fitted: - 60°C to +80°C
- Optional Silicon O-Ring fitted: - 60°C to +160°C

Materials:

- Group I Applications: Brass, Nickel Plated Brass and Stainless Steel
Group II Applications: Brass, Nickel Plated Brass, Stainless Steel and Aluminium

Certification Details

Adaptor / Reducer Type: 476 (GRP I, II & III)
Exdb I Mb, Exeb I Mb, Exdb IIC Gb, Exeb IIC Gb, Extb IIIC Db
Baseefa No: 11ATEX0067X  II 2 GD IP66 C E
IECEx No: BAS11.0037X
IEEx No: 15.0193X
 TC RU C-GB.AA87.B.00430
c CSA us No: 1731876
Class I Zone 1 AExd IIC Gb, AExe IIC Gb, Zone 21 AExtb IIIC Db IP66
Class I Groups ABCD, Class II Groups EFG, Class III

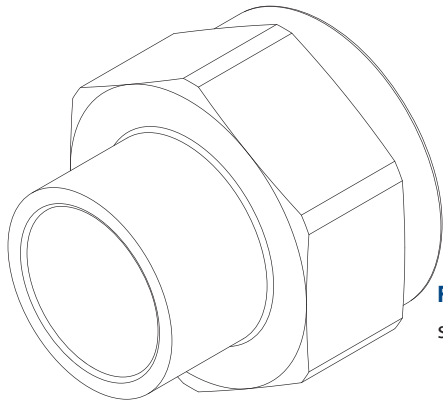


Fig. 1 - Type 476 Adaptor
shown without optional O-Ring

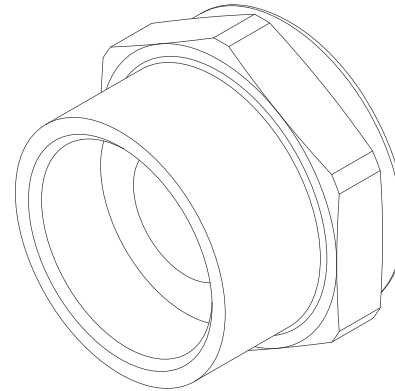


Fig. 2 - Type 476 Reducer
shown without optional O-Ring

Note: Only one Adaptor / Reducer shall be used with any enclosure entry. The female thread of an Adaptor must not be more than two sizes greater than the male e.g. M20 to M32.

SPECIAL CONDITIONS FOR SAFE USE:

- When the Adaptors or Reducers are used for Increased Safety or Dust Protection without an O-Ring, the entry of the enclosure and the female threads of the Adaptor or Reducer are to be suitably sealed (in accordance with EN 60079-14) to maintain the Ingress Protection rating of the associated enclosure.
- When the Adaptors or Reducers are used for Increased Safety or Dust Protection in a threaded hole and the O-Ring is fitted, the threaded entry in the enclosure must be at right angles to the enclosure wall, the female threads of the Adaptor or Reducer are to be suitably sealed (in accordance with EN 60079-14) to maintain the Ingress Protection rating of the associated enclosure.
- When the Adaptors or Reducers are used for Increased Safety or Dust Protection in a plain hole, the hole in the enclosure must be no greater than 0.7mm bigger than the male thread and the Adaptor or Reducer must be secured with a locknut, the female threads of the Adaptor or Reducer are to be suitably sealed (in accordance with IEC 60079-14) to maintain the Ingress Protection rating of the associated enclosure.
- The Adaptors or Reducers when used in flameproof applications must not be closed with a flameproof stopping plug.

STEP 1 (PRIOR TO INSTALLATION)

- Ensure the male thread type and size of the Adaptor / Reducer is compatible with the enclosure thread.
- Where ingress protection above IP54 is required in threaded entries, the use of a suitable non-setting thread sealant or sealing washer is recommended.
- Care should be taken to ensure that any electrical continuity is not affected.

STEP 2:

Fully tighten Adaptor / Reducer into the enclosure using a wrench / spanner.

FOR FLAMEPROOF APPLICATIONS:

- With parallel threads, the minimum number of threads engaged must be 5 with an axial engagement of 8mm.
- With taper threaded Adaptors and Reducers the number of threads engaged may be less than 5, but must be greater than 3.5 effective threads engagement.

EU Declaration of Conformity in accordance with European Directive 2014/34/EU
Manufacturer: Hawke International
Address: Oxford Street West, Ashton-under-Lyne, OL7 0NA, United Kingdom

Equipment Type: 476 Adaptors and Reducers (Group I & II)

Provisions of the Directive fulfilled by the Equipment:

Group I Category IM2 Exeb IMb, Exdb IMb – IP66
Group II Category 2GD Exeb IIC Gb, Exdb IIC Gb, Extb IIIC Db – IP66

Notified Body for EC-Type Examination: SGS – Baseefa 1180 Buxton UK

EC-type Examination Certificate: Baseefa 11ATEX0067X

Notified Body for production: SGS – Baseefa 1180 Buxton UK

Harmonised Standards used:

EN 60079-0:2012+A11:2013, EN60079-1:2014, EN60079-7:2015, EN60079-31:2014

On behalf of the above named company, I declare that, on the date the equipment accompanied by this declaration is placed on the market, the equipment conforms with all technical and regulatory requirements of the above listed directives.


.....
A. Tindall / Technical Manager