

EX LIGHTING




Installation: hazardous areas - Zone 1 / 2 (Gases) - Zone 21 / 22 (Dusts)

Classification: Group II - Category 2G 2D

REFERENCE STANDARDS
Directive 2014/34/EU

EXECUTION	☉ Ex db eb IIC T6 Gb ☉ Ex db op is IIC T6 Gb (for PCB LED type only) ☉ Ex db eb op is IIC T6 Gb (for PCB LED type only) ☉ Ex tb IIC T85°C Db ☉ Ex op is tb IIC T85°C Db (for PCB LED type only)
RULES OF COMPLIANCE	EN/IEC 60079-0; EN/IEC 60079-1; EN/IEC 60079-7; EN/IEC 60079-31; EN/IEC 60079-28
EC Type-Examination Certificate	INERIS 12 ATEX 023X
PROTECTION DEGREE	IP66
AMBIENT TEMPERATURE	-20°C ÷ +60°C
OTHER AVAILABLE CERTIFICATES	IECEx: IECEx INE 13.0055X INMETRO: CEPTEL 13.2291X EAC: TC RU C-IT.BH02.B.00602 (-45°C ÷ +60°C) RUSSIAN MARINE CERTIFICATE (RMRS): 19.02519.280

Mechanical characteristics

Body	marine grade copper free aluminium
Tubes	high-temperature resistant borosilicate glass tube
Painting	external epoxy powders grey ral-9006 colour
Screws	external stainless steel
Gaskets	silicon rubber O-Ring
Reflectors	white stove enamelled sheet steel
Cable entry	3/4" NPT size threaded (Ex-d) ISO-M25 size threaded (Ex-de)

Electrical characteristics for fluorescent lamps

Power Supply	dual channel electronic ballast: - 110÷240Vac - 50/60 Hz (cos ρ ≥ 0,98) - 110÷240Vdc
Lampholders	Bi-Pin G13 Cap
Internal Wiring	105° C resistant silicon rubber insulation cables
Terminals	suitable up to 4sq/mm cables
Emergency Unit	emergency unit composed of inverter charger and Ni-Cd battery pack 4A/h 4.8v. autonomy 120min. LED power-on indicating lamp provided - (inverter) 220÷240V 50/60Hz

Electrical characteristics for LED strips lamp

Power Supply	100÷240V 50/60Hz (cos ρ ≥ 0,98) - AT version 220÷240V 50/60Hz (cos ρ ≥ 0,98) - TR version
Internal Wiring	105° C resistant silicon rubber insulation cables
Terminals	suitable up to 4sq/mm cables
Emergency Unit	emergency unit composed of inverter charger and Ni-Cd battery pack 4A/h 6.0V autonomy 180min. LED power-on indicating lamp provided - (inverter) 220÷240V 50/60Hz


On Request Accessories:

- Pole mounting kit complete with stainless steel hardware
- Ceiling mounting kit complete with stainless steel hardware
- Pendant mounting kit complete with stainless steel hardware
- Wall/Structure mounting kit complete with stainless steel hardware
- External painting colour on request
- Electronic ballast with voltage supply different than standard
- Protection gaurd

Technical data

CODE	LAMP	TEMPERATURE CLASS (GAS)	TEMPERATURE CLASS (DUSTS)	LAMPHOLDER	EMERGENCY UNIT	AUTONOMY
FLUORESCENT LIGHTING FIXTURES FOR SINGLE AND TWIN LAMPS - POWER SUPPLY (110÷240Vac - 50/60 Hz) - (110÷240Vdc)						
EVFG*18	1 x 8W	T6	T 85°C	G5	-	-
EVFG*28	2 x 8W	T6	T 85°C	G5	-	-
EVFG*118	1 x 18W	T6	T 85°C	G13	-	-
EVFG*218	2 x 18W	T6	T 85°C	G13	-	-
EVFG*136	1 x 36W	T6	T 85°C	G13	-	-
EVFG*236	2 x 36W	T6	T 85°C	G13	-	-
EVFG*158	1 x 58W	T6	T 85°C	G13	-	-
EVFG*258	2 x 58W	T6	T 85°C	G13	-	-

*d: for Exd version (Ex. EVFGd120LED) - Without "d" for Exde version (Ex. EVFG120LED)

EMERGENCY FLUORESCENT LIGHTING FIXTURES FOR SINGLE AND TWIN LAMPS - POWER SUPPLY (inverter) 220÷240V 50/60Hz						
EVFG*E18	1 x 8W	T6	T 85°C	G5	4.8 V - 4Ah	120 min.
EVFG*E28	2 x 8W	T6	T 85°C	G5	4.8 V - 4Ah	120 min.
EVFG*E118	1 x 18W	T6	T 85°C	G13	4.8 V - 4Ah	120 min.
EVFG*E218	2 x 18W	T6	T 85°C	G13	4.8 V - 4Ah	120 min.
EVFG*E136	1 x 36W	T6	T 85°C	G13	4.8 V - 4Ah	120 min.
EVFG*E236	2 x 36W	T6	T 85°C	G13	4.8 V - 4Ah	120 min.
EVFG*E158	1 x 58W	T6	T 85°C	G13	4.8 V - 4Ah	120 min.
EVFG*E258	2 x 58W	T6	T 85°C	G13	4.8 V - 4Ah	120 min.

*d: for Exd version (Ex. EVFGdE236) - Without "d" for Exde version (Ex. EVFGE236)

EMERGENCY OPERATING WITH ONE TUBE LAMP ONLY AS STANDARD

LIGHTING FIXTURES FOR LED STRIPES LAMP ("TR" VERSION) - CCT: 5000K / CRI: 80 - POWER SUPPLY 220÷240Vac						
CODE	LAMP	TEMPERATURE CLASS (GAS)	TEMPERATURE CLASS (DUSTS)	OUTPUT (lm)	EMERGENCY UNIT	DIMENSIONALLY EQUIVALENT TO
EVFG*66LED_T	66 LED / 22W	T6	T 85°C	3180	-	18W FLUO. L=745 mm
EVFG*132LED_T	132 LED / 44W	T6	T 85°C	6340	-	36W FLUO. L=1345 mm
EVFGE*66LED_T	66 LED / 22W	T6	T 85°C	3180	6.0 V - 4Ah AUTONOMY 180 min.	18W FLUO. L=745 mm
EVFGE*132LED_T	132 LED / 44W	T6	T 85°C	6340	6.0 V - 4Ah AUTONOMY 180 min.	36W FLUO. L=1345 mm

*d: for Exd version (Ex. EVFGd132LED_T) - Without "d" for Exde version (Ex. EVFG132LED_T)

Note: LED stripes lamps included along with lighting fixtures

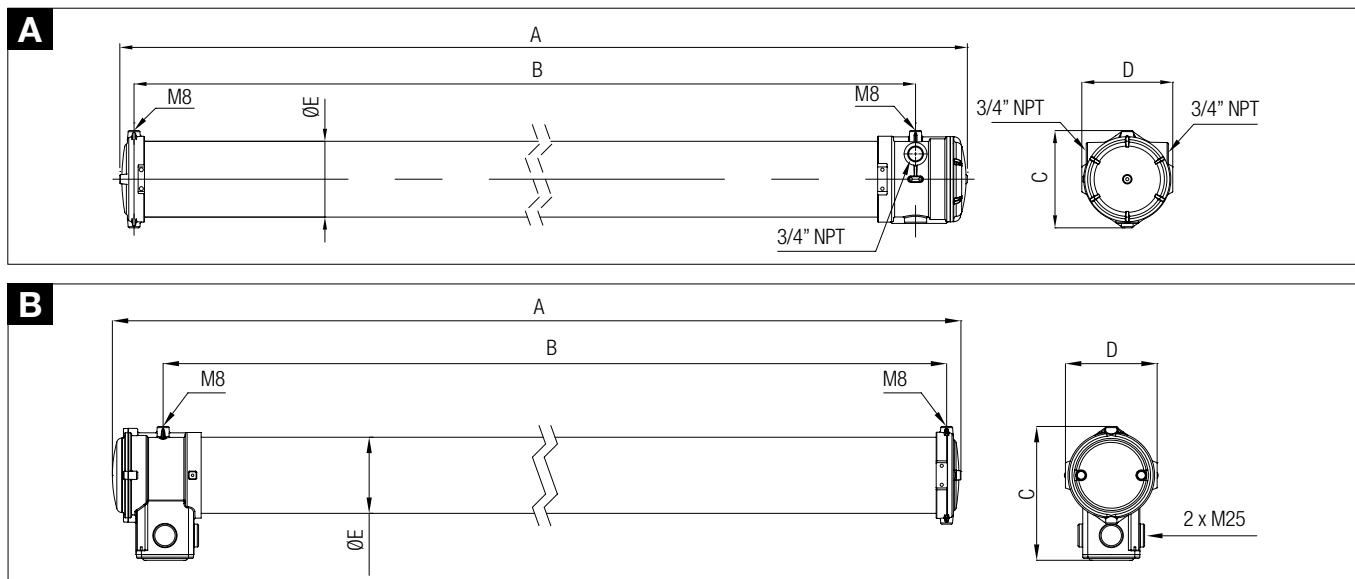
EMERGENCY OPERATING WITH 66 LED UNITS ONLY AS STANDARD

LIGHTING FIXTURES FOR LED STRIPES LAMP („AT“ VERSION) - CCT : 4000K / CRI : 70 - POWER SUPPLY 100÷240Vac						
CODE	LAMP	TEMPERATURE CLASS (GAS)	TEMPERATURE CLASS (DUSTS)	OUTPUT (lm)	EMERGENCY UNIT SUPPLY = 220÷240Vac	DIMENSIONALLY EQUIVALENT TO
EVFG*40LED_A	40 LED / 31W	T6	T 85°C	3200	-	18W FLUO. L=745 mm
EVFG*48LED_A	48 LED / 38W	T6	T 85°C	4700	-	18W FLUO. L=745 mm
EVFG*80LED_A	80 LED / 62W	T6	T 85°C	6100	-	18W FLUO. L=745 mm
EVFGE*40LED_A	40 LED / 31W	T6	T 85°C	3200	6.0 V - 4Ah AUTONOMY 180 min.	18W FLUO. L=745 mm

*d: for Exd version (Ex. EVFGd40LED_A) - Without "d" for Exde version (Ex. EVFG40LED_A)

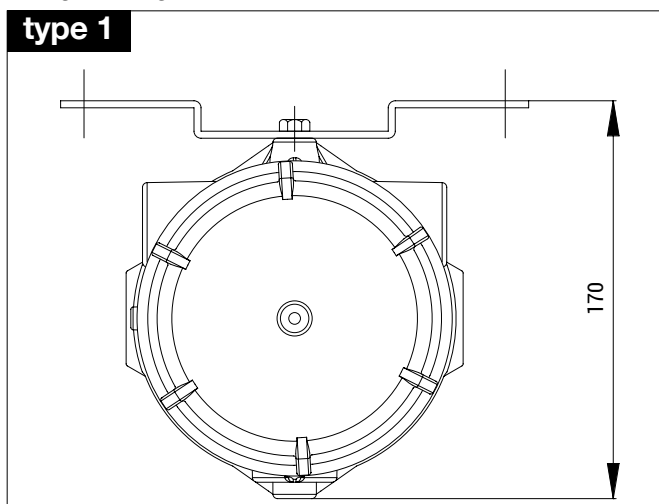
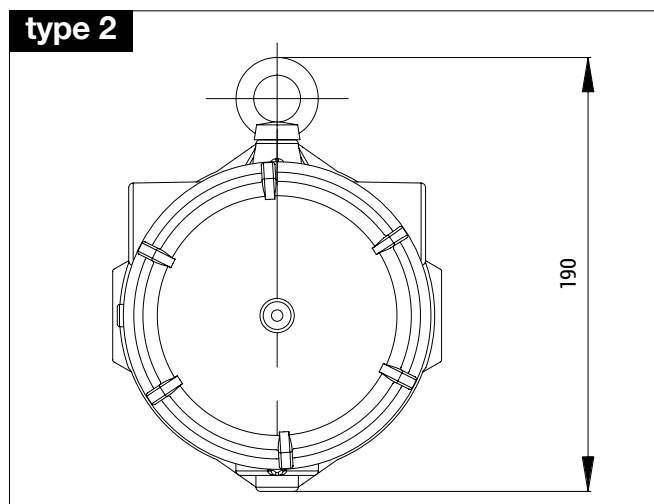
Note: LED stripes lamps included along with lighting fixtures

EMERGENCY OPERATING WITH 40 LED UNITS ONLY AS STANDARD

Reference details

Technical features

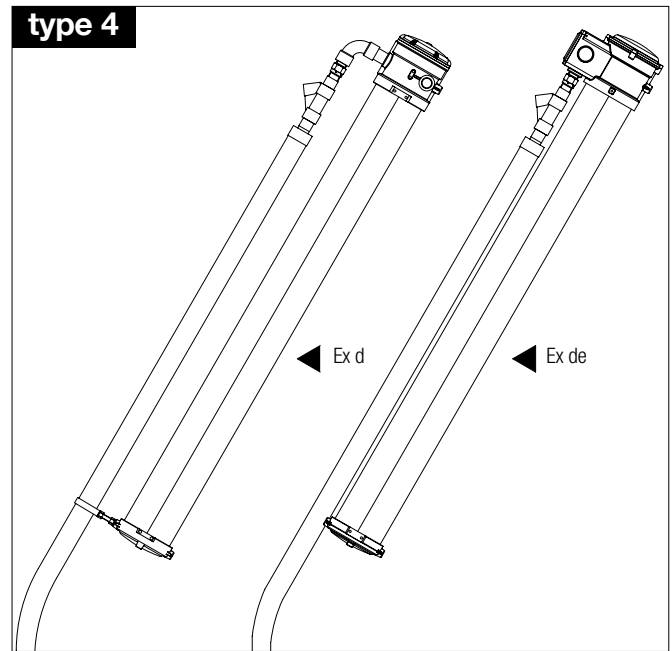
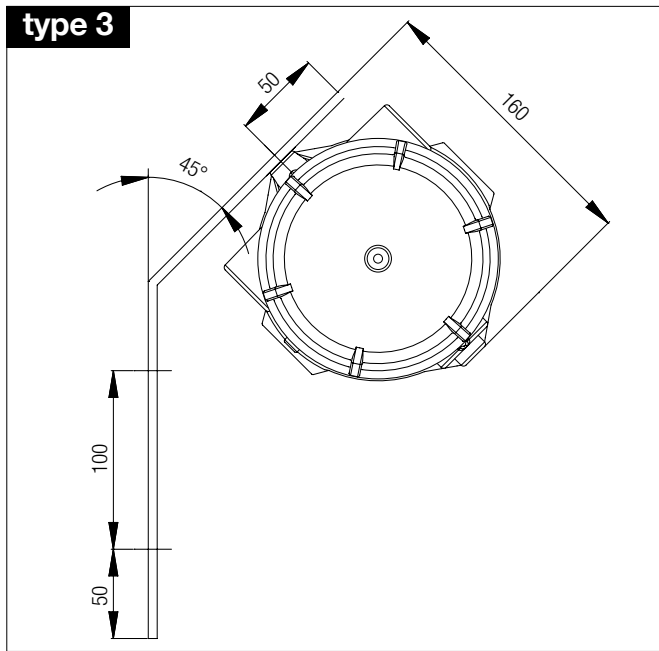
CODE	A [mm]	B [mm]	C [mm]	D [mm]	ØE [mm]	WEIGHT [kg] **	CABLE ENTRY	DETAIL
EVFGd*8	495	390	154	145	120	3,50	2 x 3/4"	A
EVFGdE*8						4,50		
EVFGd*18 / **LED_A / 66LED_T	745	640	154	145	120	5,50	2 x 3/4"	A
EVFGdE*18 / 40LED_A / 66LED_T						5,50		
EVFGd*36 / 132LED_T	1345	1240	154	145	120	9,00	2 x 3/4"	A
EVFGdE*36 / 132LED_T						9,00		
EVFGd*58	1645	1540	154	145	120	10,00	2 x 3/4"	A
EVFGdE*58						11,40		
EVFG*8	495	390	218	145	120	4,00	2 x M25	B
EVFGE*8						5,00		
EVFG*18 / **LED_A / 66LED_T	745	640	218	145	120	6,50	2 x M25	B
EVFGE*18 / 40LED_A / 66LED_T						6,50		
EVFG*36 / 132LED_T	1345	1240	218	145	120	10,00	2 x M25	B
EVFGE*36 / 132LED_T						10,00		
EVFG*58	1645	1540	218	145	120	10,80	2 x M25	B
EVFGE*58						12,20		

* = 1 or 2: 1= single lamp - 2= twin lamp / ** = 40LED_A or 48LED_A or 80LED_A

EVFG Installation and mounting details
Ceiling mounting

Pendant mounting


Wall/structure mounting

Pole mounting
Assemblig detail with pole (typical)

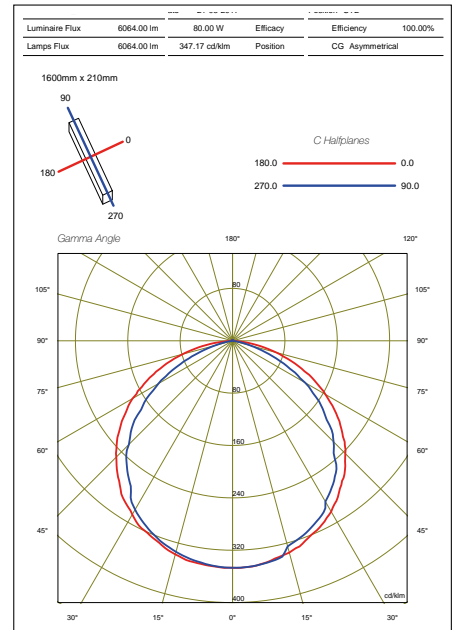
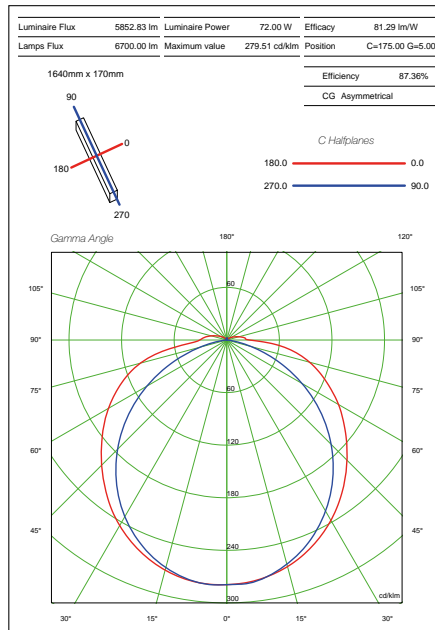
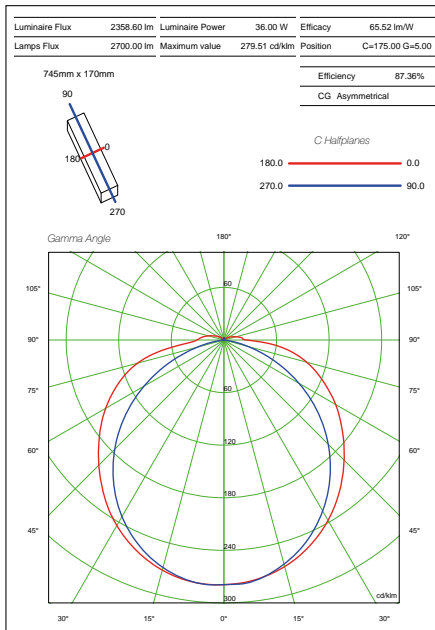


EVFG Polar diagrams – photometric data

EVFG218

EVFG236

EVFG80LED_A



On request accessories

CODE	DESCRIPTION	INSTALLATION	MATERIAL
GUARDEVFG18	PROTECTION GUARD FOR 18W FL and LED LIGHTING FIXTURES SIZE 40, 48, 66, 80	-	H.D. GALVANIZED STEEL
GUARDEVFG36	PROTECTION GUARD FOR 36W FL and LED LIGHTING FIXTURES SIZE 132	-	H.D. GALVANIZED STEEL
GUARDEVFG58	PROTECTION GUARD FOR 58W FL	-	H.D. GALVANIZED STEEL
GUARDEVFG18IX	PROTECTION GUARD FOR 18W FL and LED LIGHTING FIXTURES SIZE 40, 48, 66, 80	-	STAINLESS STEEL
GUARDEVFG36IX	PROTECTION GUARD FOR 36W FL and LED LIGHTING FIXTURES SIZE 132	-	STAINLESS STEEL
GUARDEVFG58IX	PROTECTION GUARD FOR 58W FL	-	STAINLESS STEEL
20302.0121	CEILING MOUNTING KIT C/W HARDWARE	TYPE 1	GALVANIZED STEEL
20302.0103	PENDANT MOUNTING KIT C/W HARDWARE	TYPE 2	GALVANIZED STEEL
20302.0128	WALL/STRUCTURE MOUNTING KIT C/W HARDWARE	TYPE 3	GALVANIZED STEEL
20301.0163	POLE MOUNTING KIT (SIZE 1 1/2" DIA.) C/W HARDWARE	TYPE 4	GALVANIZED STEEL
20301.0162	POLE MOUNTING KIT (SIZE 2" DIA.) C/W HARDWARE	TYPE 4	GALVANIZED STEEL

REMARK:

Due to the development of the national and international specifications and of the technology, the above technical characteristics showed on this bulletin can be considered as binding on our confirmation only.


Installation: hazardous areas - Zone 1 / 2 (Gases) - Zone 21 / 22 (Dusts)

Classification: Group II - Category 2G 2D

REFERENCE STANDARDS
Directive 2014/34/EU

EXECUTION	Ⓢ II 2 G Ex db IIC T6÷T2 Gb Ⓢ II 2 D Ex tb IIIC T85°C-T225°C Db
RULES OF COMPLIANCE	EN/IEC 60079-0; EN/IEC 60079-1; EN/IEC 60079-31
EC Type-Examination Certificate	INERIS 01 ATEX 0054X
PROTECTION DEGREE	IP66
AMBIENT TEMPERATURE	-60°C ÷ +60°C
OTHER AVAILABLE CERTIFICATES	IECEx: IECEx INE 13.0075X INMETRO: CEPEL 14.2311X EAC: TC RU C-IT.BH02.B.00602 RINA: ELE18111CS_015 RUSSIAN MARINE CERTIFICATE (RMRS): 19.02519.280

Mechanical characteristics

Body	marine grade copper free aluminium (control gear & lamp body)
Globe	high-temperature resistant borosilicate glass
Painting	external epoxy powders grey RAL-9006 colour
Screws	external stainless steel
Gaskets	silicon rubber
Cable entry	3/4" NPT size threaded
Installation swivel bracket	stainless steel

Electrical characteristics

Power supply (PRC)	conventional ballast 230V - 50Hz (p.f. corrected - $\cos \rho \geq 0,95$)
Lampholders	porcelain E27/E40 size
Internal wiring	high-temperature resistant silicon rubber insulation cables
Terminals	suitable up to 4sq/mm cables (on lighting fixtures with PRC)

On Request Accessories:

- Ceiling mounting AISI 316L stainless steel kit complete with stainless steel hardware
- Pendant mounting AISI 316L stainless steel kit complete with stainless steel hardware
- Wall/Structure mounting kit complete with stainless steel hardware
- Pole mounting kit 1" – 1 1/2" – 2" dia. complete with stainless steel hardware
- White stove enamelled aluminium reflectors
- Stainless steel reflectors
- External painting colour on request
- Control gear with voltage supply different than standard
- Threaded cable entry different than standard



Technical data

CODE	LAMP	TEMPERATURE CLASS (GAS)	TEMPERATURE CLASS (DUSTS)	LAMPHOLDER SIZE	CABLE ENTRY SIZE	DETAIL
LIGHTING FIXTURE FOR INCANDESCENT LAMPS* - POWER SUPPLY 230V-50Hz						
EVAC101	100 W	T4	T 135°C	E-27	1 x 3/4"	A
EVAC100	100 W	T4	T 135°C	E-27	2 x 3/4"	B
EVAC201	200 W	T4 / T3	T 135°C / T 160°C	E-27	1 x 3/4"	A
EVAC200	200 W	T4 / T3	T 135°C / T 160°C	E-27	2 x 3/4"	B
EVAC301	300 W	T4 / T3	T 135°C / T 160°C	E-40	1 x 3/4"	A
EVAC300	300 W	T4 / T3	T 135°C / T 160°C	E-40	2 x 3/4"	B
EVAC501	500 W	T3	T 160°C / T 190°C	E-40	1 x 3/4"	A
EVAC500	500 W	T3	T 160°C / T 190°C	E-40	2 x 3/4"	B

*lamp not included.

LIGHTING FIXTURE FOR HALOGEN LAMP* - POWER SUPPLY 230V-50Hz						
EVAC101-100H	100 W	T4	T 135°C	E-27	1 x 3/4"	A
EVAC100-100H	100 W	T4	T 135°C	E-27	2 x 3/4"	B
EVAC201-150H	150 W	T4 / T3	T 135°C / T 160°C	E-27	1 x 3/4"	A
EVAC200-150H	150 W	T4 / T3	T 135°C / T 160°C	E-27	2 x 3/4"	B
EVAC301-250H	250 W	T4 / T3	T 135°C / T 160°C	E-40	1 x 3/4"	A
EVAC300-250H	250 W	T4 / T3	T 135°C / T 160°C	E-40	2 x 3/4"	B

*lamp not included.

LIGHTING FIXTURE FOR HIGH PRESSURE MERCURY VAPOUR LAMP - POWER SUPPLY 230V-50Hz						
EVAC101-80HG	80 W	T4 / T3	T 135°C / T 160°C	E-27	2 x 3/4"	C2
EVAC101-C80HG					1 x 3/4"	C1
EVAC201-125HG	125 W	T4 / T3	T 140°C / T 160°C	E-27	2 x 3/4"	C2
EVAC201-C125HG					1 x 3/4"	C1
EVAC301-250HG	250 W	T3	T 140°C / T 160°C	E-40	2 x 3/4"	C2
EVAC301-C250HG					1 x 3/4"	C1
EVAC501-250HG	250 W	T3	T 160°C / T 190°C	E-40	2 x 3/4"	C2
EVAC501-400HG	400 W	T3	T 190°C	E-40	2 x 3/4"	C2

LIGHTING FIXTURE FOR HIGH PRESSURE SODIUM LAMP - POWER SUPPLY 230V-50Hz						
EVAC101-70HPNA	70 W	T4	T 135°C	E-27	2 x 3/4"	C2
EVAC101-C70HPNA					1 x 3/4"	C1
EVAC301-100HPNA	100 W	T3	T 140°C / T 160°C	E-40	2 x 3/4"	C2
EVAC301-C100HPNA					1 x 3/4"	C1
EVAC301-150HPNA	150 W	T4	T 135°C	E-40	2 x 3/4"	C2
EVAC301-C150HPNA					1 x 3/4"	C1
EVAC301-250HPNA	250 W	T3	T 160°C / T 190°C	E-40	2 x 3/4"	C2
EVAC301-C250HPNA					1 x 3/4"	C1
EVAC501-400HPNA	400 W	T3	T 190°C	E-40	2 x 3/4"	C2

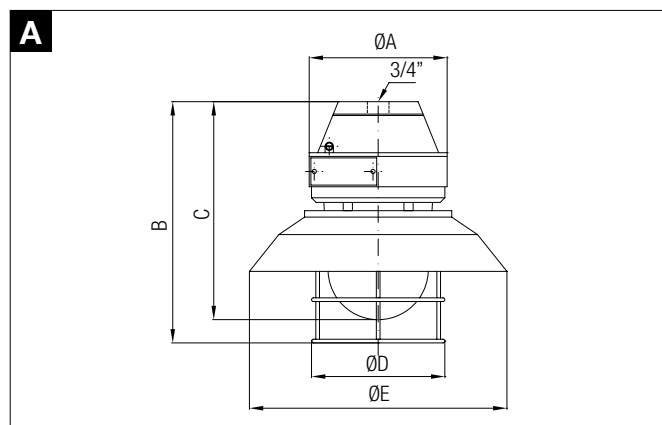
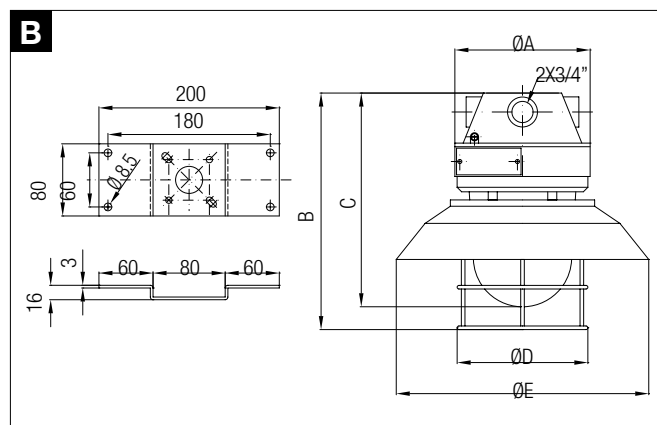
LIGHTING FIXTURE FOR METAL HALIDE LAMP - POWER SUPPLY 230V-50Hz						
EVAC101-100MH	100 W	T3	T 140°C / T 160°C	E-27	2 x 3/4"	C2
EVAC101-C100MH					1 x 3/4"	C1
EVAC301-150MH	150 W	T4 / T3	T 135°C / T 160°C	E-40	2 x 3/4"	C2
EVAC301-C150MH					1 x 3/4"	C1
EVAC301-250MH	250 W	T3	T 140°C / T 160°C	E-40	2 x 3/4"	C2
EVAC301-C250MH					1 x 3/4"	C1
EVAC501-400MH	400 W	T3	T 160°C / T 190°C	E-40	2 x 3/4"	C2

LIGHTING FIXTURE FOR BLENDED LIGHT LAMP - POWER SUPPLY 230V-50Hz						
EVAC201-160MLL	160 W	T3	T 140°C / T 160°C	E-27	1 x 3/4"	A
EVAC200-160MLL	160 W	T3	T 140°C / T 160°C	E-27	2 x 3/4"	B
EVAC301-250MLL	250 W	T3	T 160°C / T 190°C	E-40	1 x 3/4"	A
EVAC300-250MLL	250 W	T3	T 160°C / T 190°C	E-40	2 x 3/4"	B

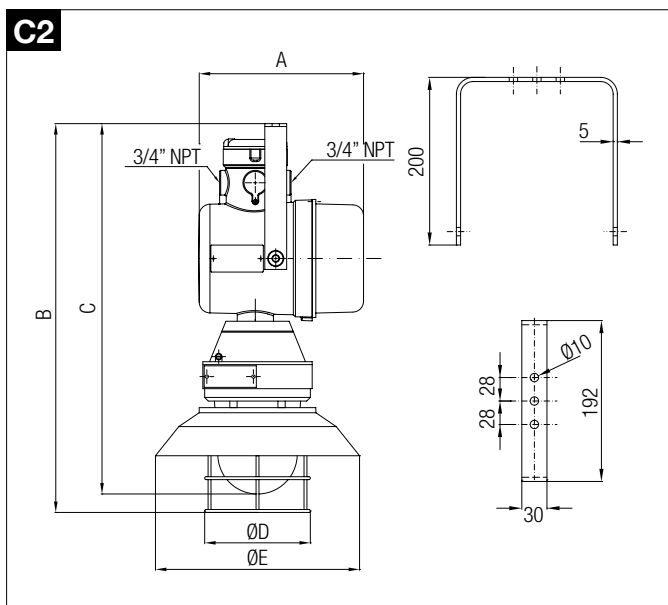
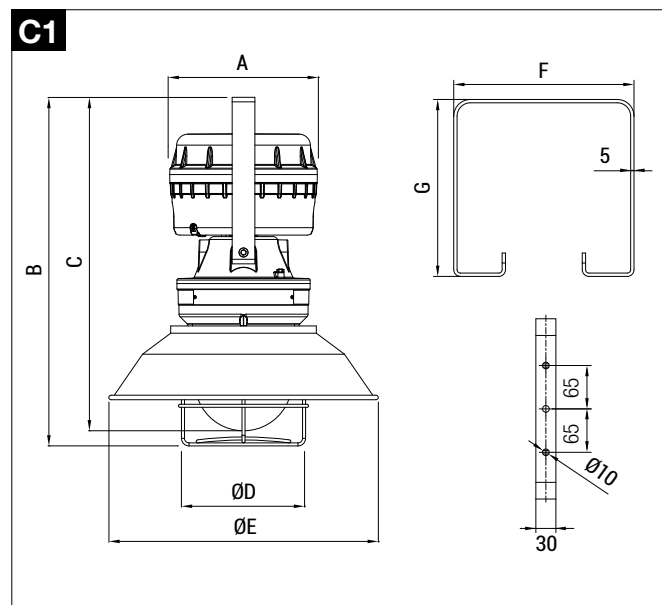


Reference details

CODE	A [mm]	B [mm]	C [mm]	Ø D [mm]	Ø E [mm]	WIGHT [Kg]	CABLE ENTRY	DETAIL
EVAC101	150	270	236	145	280	2,00	1 x 3/4"	A
EVAC100	150	270	236	145	280	2,00	2 x 3/4"	B
EVAC201	176	280	256	170	345	2,80	1 x 3/4"	A
EVAC200	176	280	256	170	345	2,80	2 x 3/4"	B
EVAC301	197	390	325	190	402	4,50	1 x 3/4"	A
EVAC300	197	390	325	190	402	4,50	2 x 3/4"	B
EVAC501	261	420	389	255	515	7,50	1 x 3/4"	A
EVAC500	261	420	389	255	515	7,50	2 x 3/4"	B

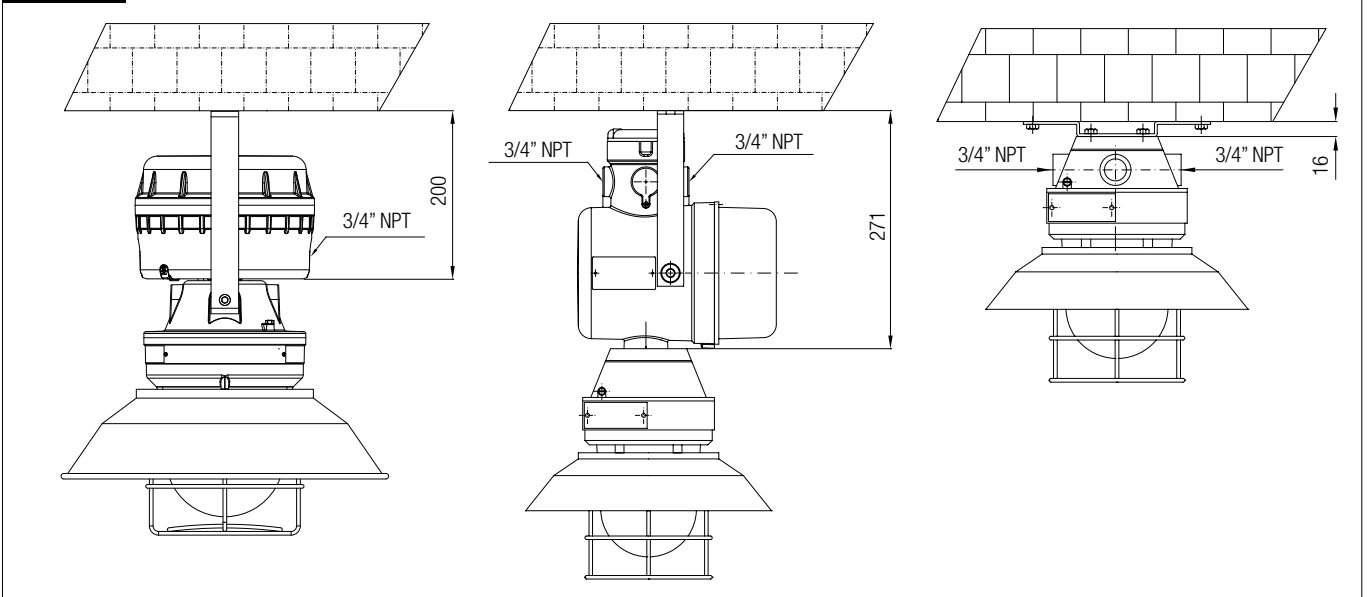
Reference details

Reference details


CODE	A [mm]	B [mm]	C [mm]	Ø D [mm]	Ø E [mm]	F [mm]	G [mm]	WEIGHT [Kg]	CABLE ENTRY	DETAIL
EVAC101-..HG; EVAC101-..HPNA; EVAC101-..MH	227	545	515	145	280	210	220	7,00	2 x 3/4"	C2
EVAC101-C..HG; EVAC101-C..HPNA; EVAC101-C..MH	195	440	420	145	280	210	220	7,00	1 x 3/4"	C1
EVAC201-..HG	227	565	545	170	345	210	220	9,50	2 x 3/4"	C2
EVAC201-C..HG	195	461	440	170	345	210	220	9,50	1 x 3/4"	C1
EVAC301-..HG; EVAC301-..HPNA; EVAC301-..MH	227	635	610	290	402	270	265	12,00	2 x 3/4"	C2
EVAC301-C..HG; EVAC301-C..HPNA; EVAC301-C..MH	250	590	555	290	402	270	265	12,00	1 x 3/4"	C1
EVAC501-..HG; EVAC501-..HPNA; EVAC501-..MH	227	695	670	255	515	/	/	15,50	2 x 3/4"	C2

Reference details


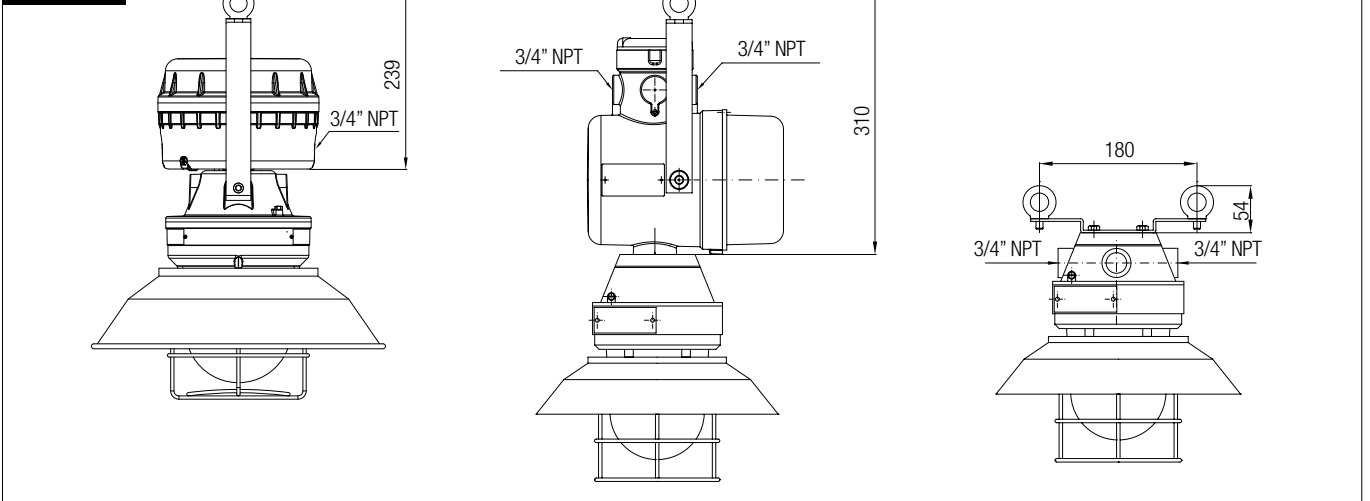
Ceiling mounting

type 1



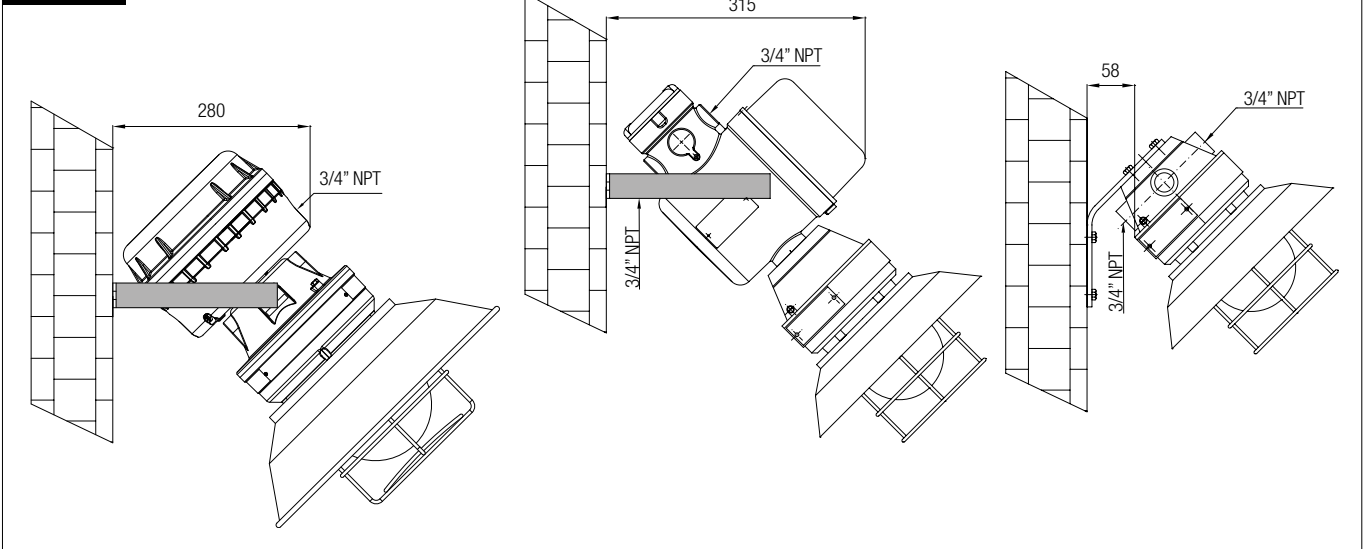
Pendant mounting

type 2

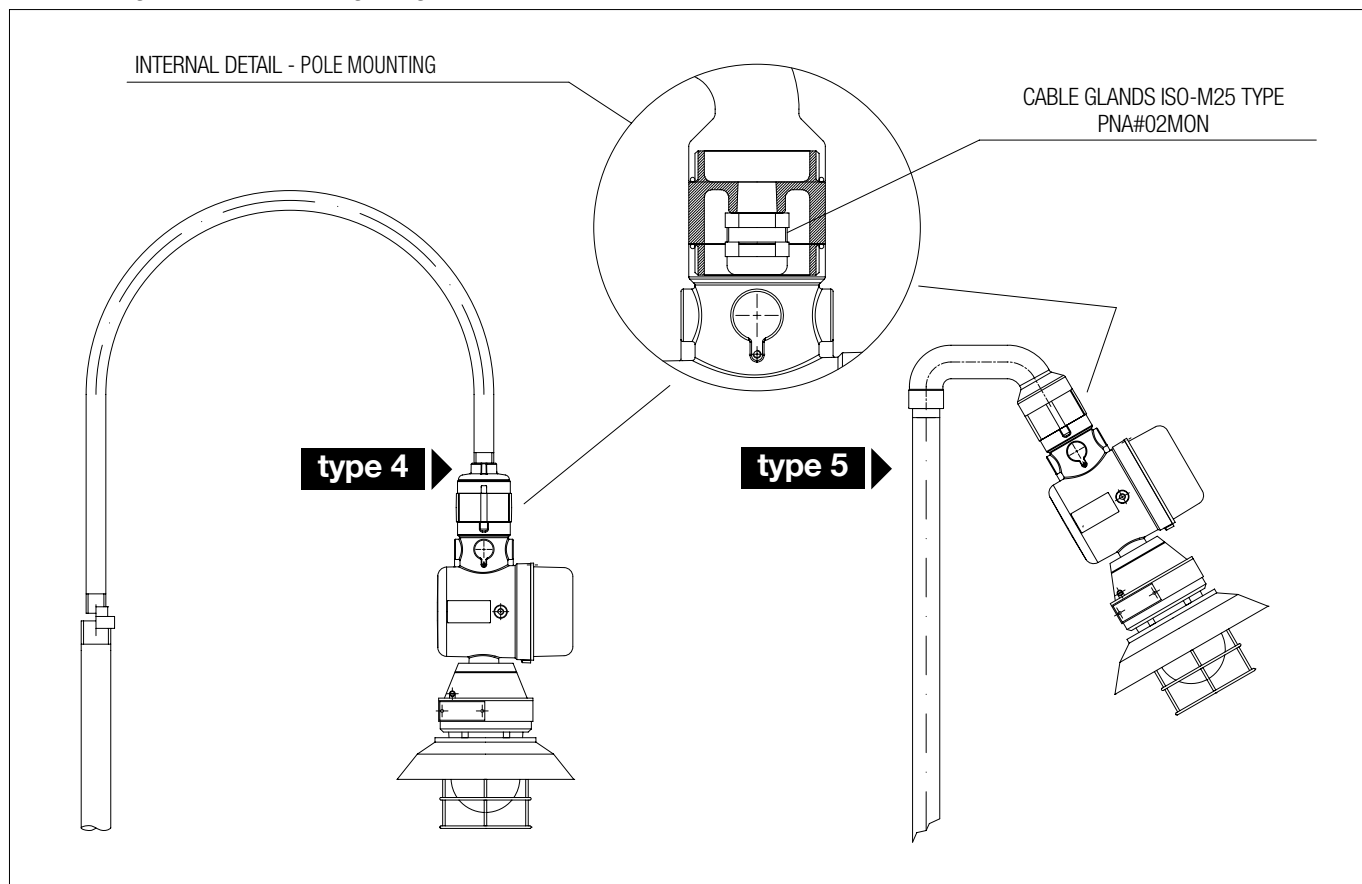


Wall/structure mounting

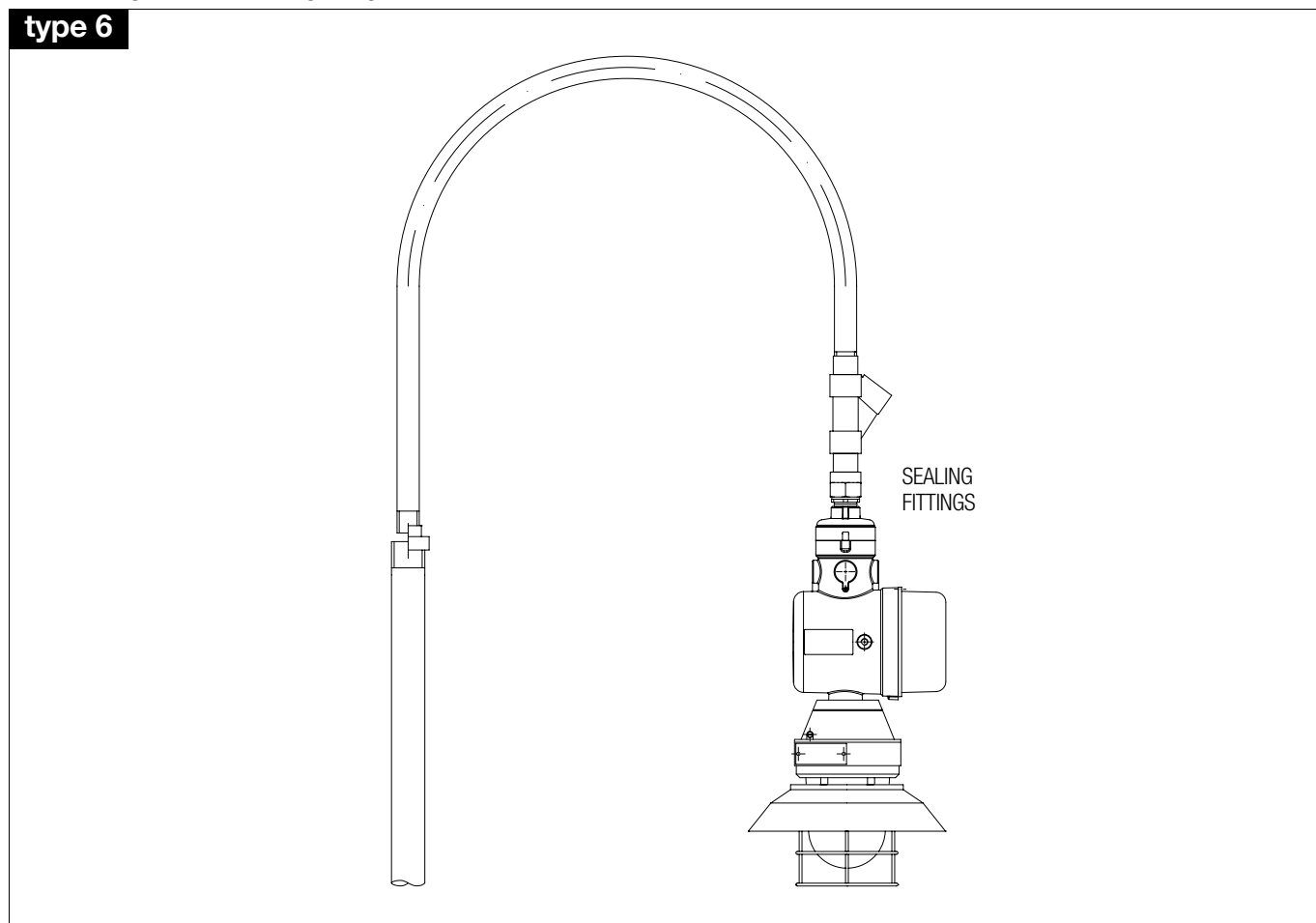
type 3



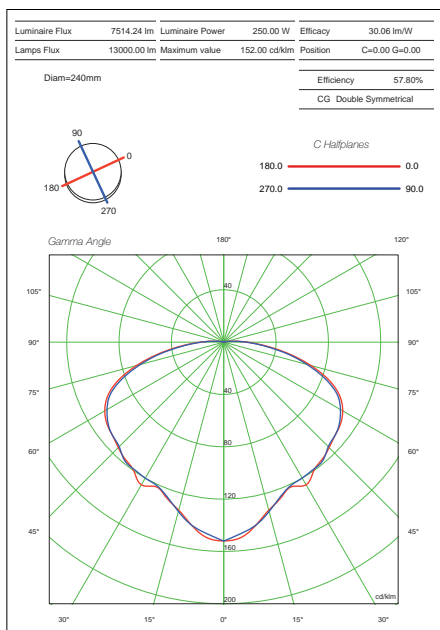
Pole Mounting – Without add sealing fitting



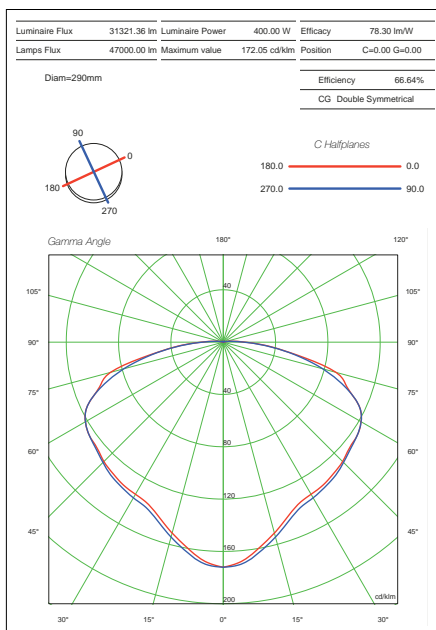
Pole Mounting – With add sealing fitting



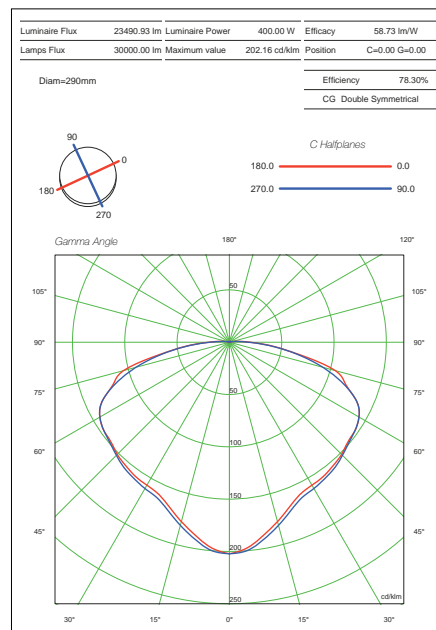
EVAC301-250HG



EVAC501-400HPNA



EVAC501-400MH



On request accessories

CODE	DESCRIPTION	INSTALLATION	MATERIAL
20302.0070	EVAC 100 / 101 SIZE STANDARD REFLECTOR	-	WHITE STOVE ENAMELLED ALUMINIUM
20302.0071	EVAC 200 / 201 SIZE STANDARD REFLECTOR	-	WHITE STOVE ENAMELLED ALUMINIUM
20302.0072	EVAC 300 / 301 SIZE STANDARD REFLECTOR	-	WHITE STOVE ENAMELLED ALUMINIUM
20302.0073	EVAC 500 / 501 SIZE STANDARD REFLECTOR	-	WHITE STOVE ENAMELLED ALUMINIUM
20302.0025	EVAC 100 / 101 SIZE STAINLESS STEEL REFLECTOR	-	STAINLESS STEEL
20302.0026	EVAC 200 / 201 SIZE STAINLESS STEEL REFLECTOR	-	STAINLESS STEEL
20302.0027	EVAC 300 / 301 SIZE STAINLESS STEEL REFLECTOR	-	STAINLESS STEEL
20302.0028	EVAC 500 / 501 SIZE STAINLESS STEEL REFLECTOR	-	STAINLESS STEEL
20302.0074	EVAC 100 / 101 SIZE STANDARD PROTECTION GUARD	-	GALVANIZED STEEL
20302.0075	EVAC 200 / 201 SIZE STANDARD PROTECTION GUARD	-	GALVANIZED STEEL
20302.0076	EVAC 300 / 301 SIZE STANDARD PROTECTION GUARD	-	GALVANIZED STEEL
20302.0077	EVAC 500 / 501 SIZE STANDARD PROTECTION GUARD	-	GALVANIZED STEEL
20302.0037	EVAC 100 / 101 SIZE STAINLESS STEEL PROTECTION GUARD	-	STAINLESS STEEL
20302.0038	EVAC 200 / 201 SIZE STAINLESS STEEL PROTECTION GUARD	-	STAINLESS STEEL
20302.0039	EVAC 300 / 301 SIZE STAINLESS STEEL PROTECTION GUARD	-	STAINLESS STEEL
20302.0040	EVAC 500 / 501 SIZE STAINLESS STEEL PROTECTION GUARD	-	STAINLESS STEEL
20302.0078*	CEILING MOUNTING KIT C/W HARDWARE	TYPE 1	STAINLESS STEEL
20302.0103	PENDANT MOUNTING KIT C/W HARDWARE AND EYE-BOLTS	TYPE 2	GALVANIZED STEEL
20302.0079*	45° WALL/STRUCTURE MOUNTING KIT C/W HARDWARE	TYPE 3	GALVANIZED STEEL
20301.0171	POLE MOUNTING KIT - WITHOUT SEALING FITTINGS	TYPE 4	ALUMINIUM
20303.0124 + 20301.0169	25° POLE MOUNTING KIT WITH BRACKET - WITHOUT SEALING FITTINGS	TYPE 5	ALUMINIUM
	POLE MOUNTING KIT - WITH SEALING FITTINGS (EYS2 + NP2 + RMF2)	TYPE 6	ALUMINIUM

* only for lighting fixtures shown on reference details A - B

REMARK:

Due to the development of the national and international specifications and of the technology, the above technical characteristics showed on this bulletin can be considered as binding on our confirmation only.


Installation: hazardous areas - Zone 1 / 2 (Gases) - Zone 21 / 22 (Dusts)

Classification: Group II - Category 2G 2D

REFERENCE STANDARDS
Directive 2014/34/EU

EXECUTION	☉ Ex db op is IIC T6/T5/T4 Gb ☉ Ex op is tb IIC T85/100/135°C Db
RULES OF COMPLIANCE	EN/IEC 60079-0; EN/IEC 60079-1; EN/IEC 60079-31
EC Type-Examination Certificate	INERIS 01 ATEX 0054X
PROTECTION DEGREE	IP66
AMBIENT TEMPERATURE	-60°C ÷ +60°C
OTHER AVAILABLE CERTIFICATES	IECEx: IECEx INE 13.0075X INMETRO: CEPEL 14.2311X EAC: TC RU C-IT.BH02.B.00602 RINA: ELE18111CS_015 RUSSIAN MARINE CERTIFICATE (RMRS): 19.02519.280

Mechanical characteristics

Body	marine grade copper free aluminium (control gear & lamp body)
Globe	high-temperature resistant borosilicate glass
Painting	external epoxy powders grey RAL-9006 colour
Screws	external stainless steel
Gaskets	silicon rubber
Cable entry	2 threaded holes dia. 3/4" NPT (EVAC...L-...) 1 threaded hole dia. 1" NPT (EVAC...-...LED)

Electrical characteristics

Power supply	120-277 Vac electronic driver 50/60 Hz - c/w surge protection 6KV and NTC thermal sensor
Lamp type	MK-R / CREE CRI 70, CCT 5700K. Lifetime: 80.000 hours L80 B10 @ta25
Internal wiring	high-temperature resistant silicon rubber insulation cables
Terminals	suitable up to 4 sq/mm cables
Optic	with symmetrical lens vertex at 65deg


On Request Accessories:

- External painting colour on request
- Threaded cable entry different than standard

Technical data

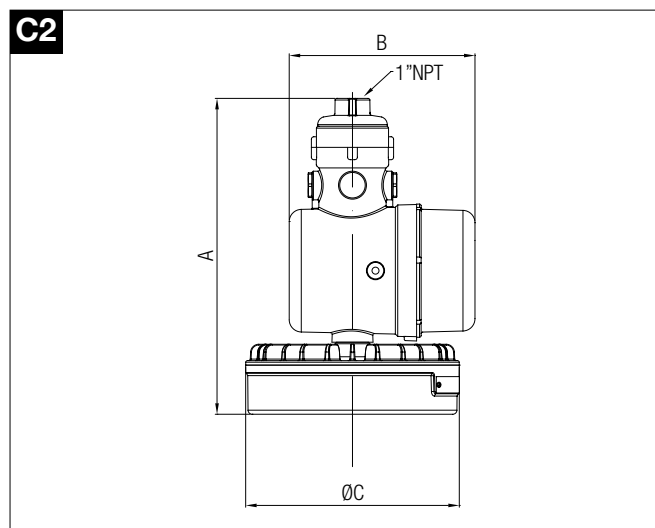
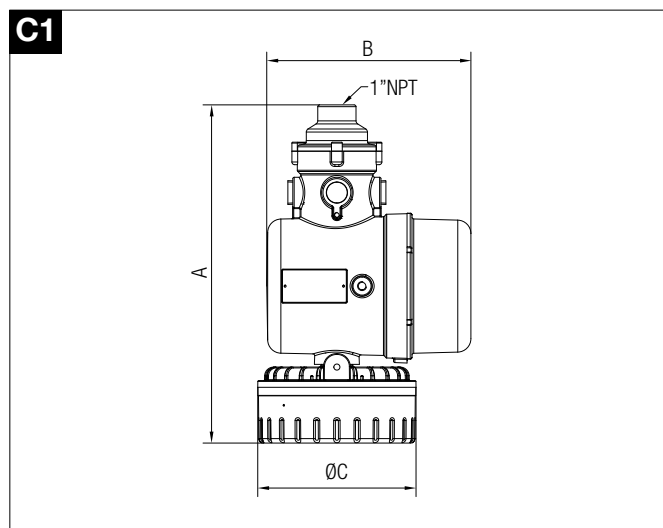
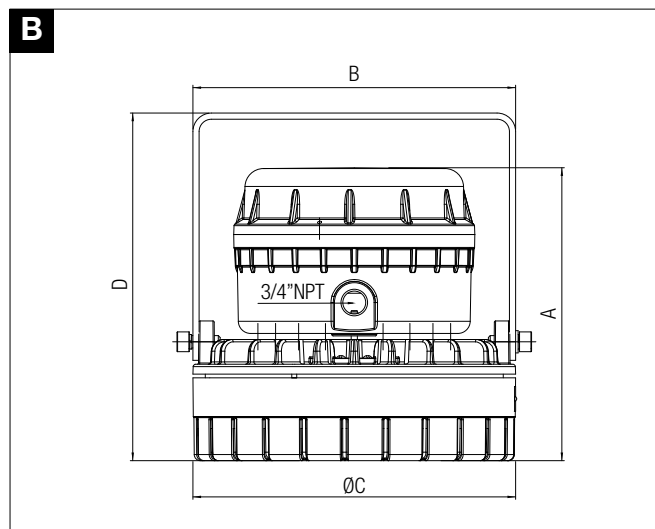
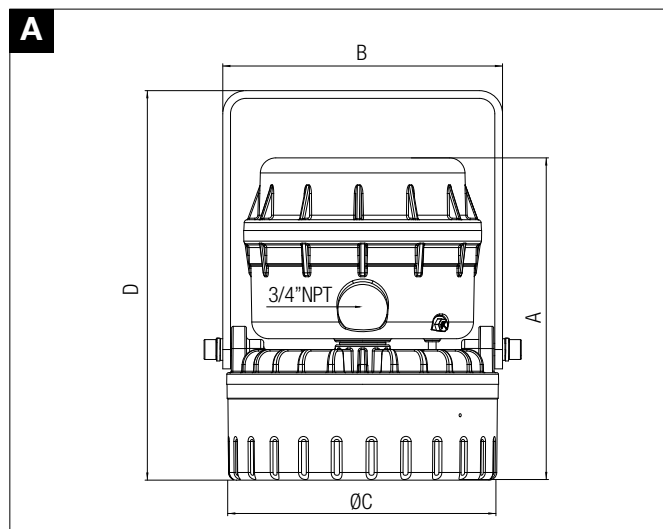
CODE	LAMP TYPE	TEMPERATURE CLASS (GAS)	TEMPERATURE CLASS (DUSTS)	NUMBER OF LED	NOMINAL OUTPUT (lm)	POWER [W]	CABLE ENTRY SIZE
LED LIGHTING FIXTURES - POWER SUPPLY 120 ÷ 277 VAC 50/60 HZ							
EVAC201-32LED	POWER LED	T5 / T4	T 85°C / T 105°C	4	2120	32W	1 x 1"
EVAC201L-004							2 x 3/4"
EVAC201-48LED	POWER LED	T5 / T4	T 85°C / T 105°C	6	3918	48W	1 x 1"
EVAC201L-006							2 x 3/4"
LED LIGHTING FIXTURES - POWER SUPPLY 120 ÷ 277 VAC 50/60 HZ							
EVAC501-64LED	POWER LED	T6 / T5	T 95°C	8	4265	64W	1 x 1"
EVAC501L-008							2 x 3/4"
EVAC501L-012	POWER LED	T6 / T5	T 95°C	12	7392	96W	2 x 3/4"

Note: LED lens lamp included along with lighting fixtures

Technical features

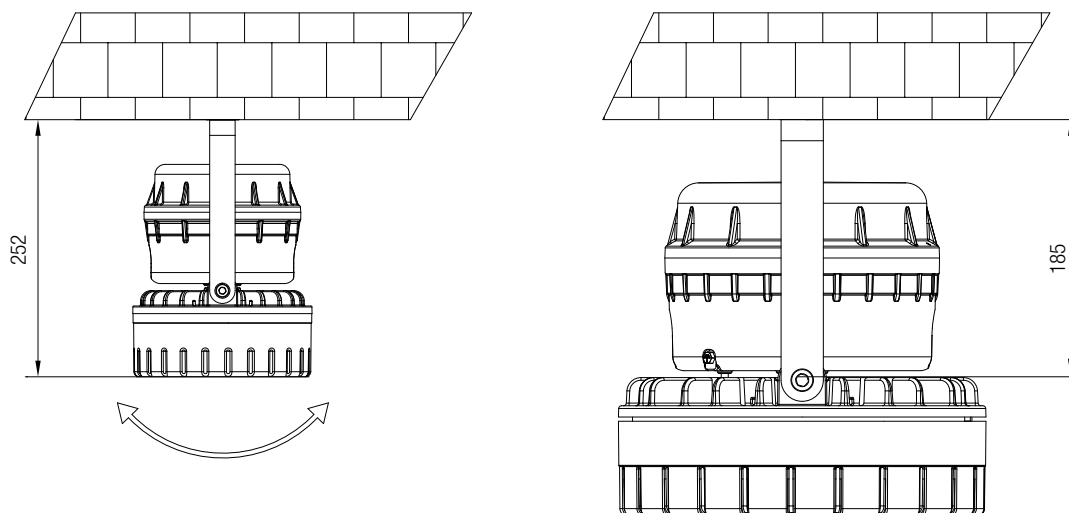
CODE	A [mm]	B [mm]	ØC [mm]	D [mm]	WEIGHT [Kg]	CABLE ENTRY	DETAIL
EVAC201-32LED	376	227	176	252	4,50	1 x 1"	C1
EVAC201L-004	210	181				2 x 3/4"	A
EVAC201-48LED	376	227	176	252	4,50	1 x 1"	C1
EVAC201L-006	210	181				2 x 3/4"	A
EVAC501-64LED	385	227	261	281	7,80	1 x 1"	C2
EVAC501L-008	237	261				2 x 3/4"	B
EVAC501L-012	237	261				2 x 3/4"	B

Reference details



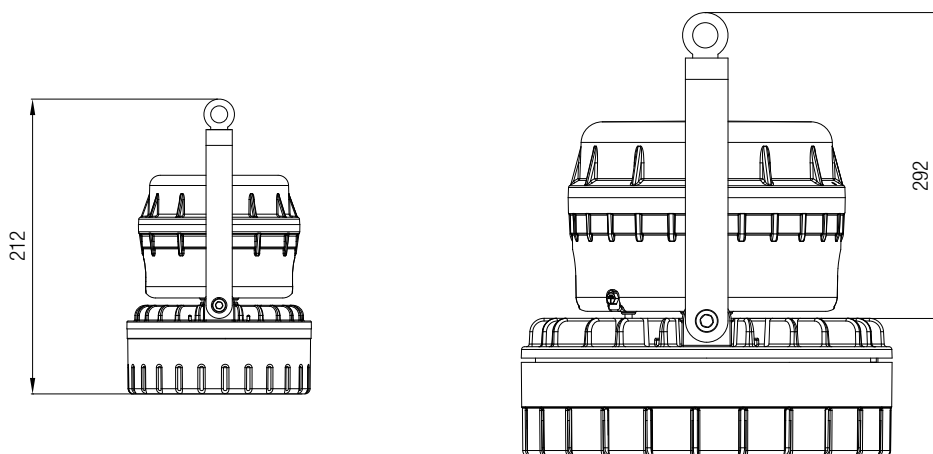
Ceiling mounting

type 1



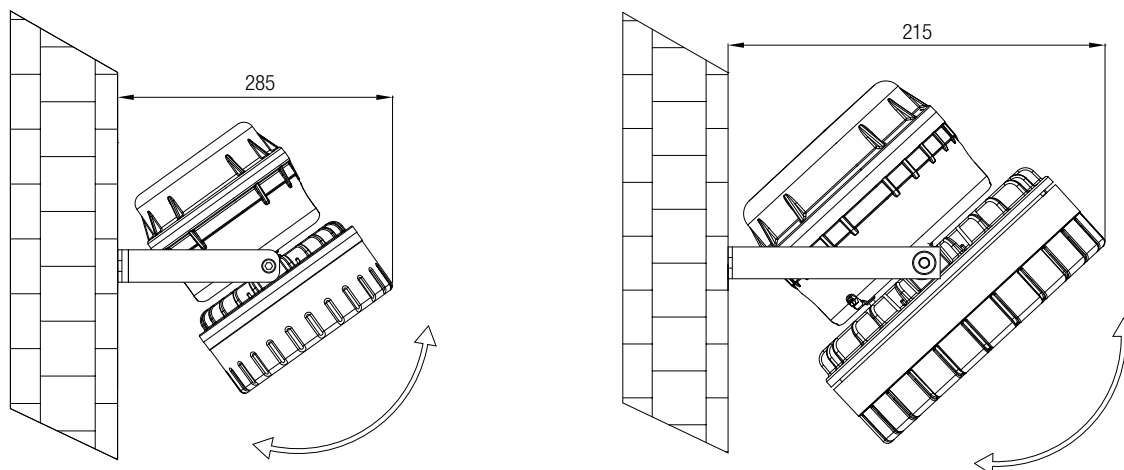
Pendant mounting

type 2



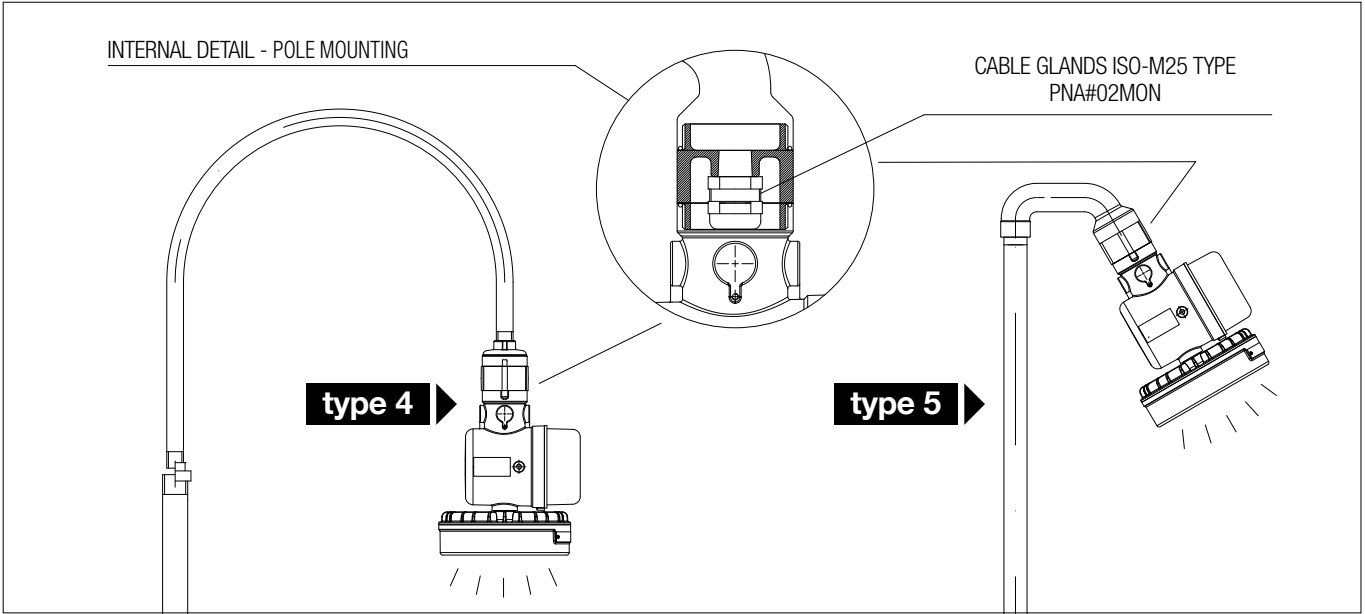
Wall/structure mounting

type 3

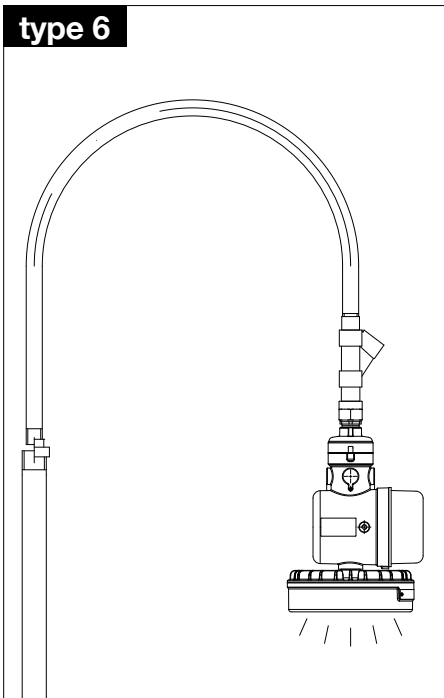


Bracket already included as standard

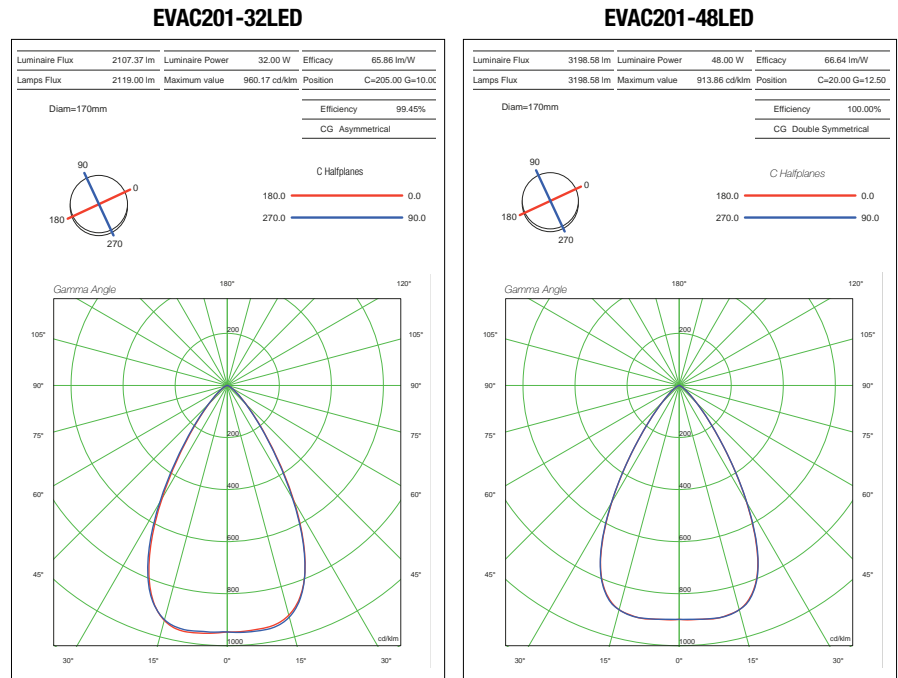
Pole Mounting – Without add sealing fitting



Pole Mounting – With add sealing fitting



EVAC-LED Polar diagrams – photometric data



EVAC-LED On request accessories

CODE	DESCRIPTION	INSTALLATION	MATERIAL
20302.0078*	CEILING MOUNTING KIT C/W HARDWARE	TYPE 1	STAINLESS STEEL
20302.0103	PENDANT MOUNTING KIT C/W HARDWARE AND EYE-BOLTS	TYPE 2	GALVANIZED STEEL
20302.0079*	45° WALL/STRUCTURE MOUNTING KIT C/W HARDWARE	TYPE 3	GALVANIZED STEEL
20301.0171	POLE MOUNTING KIT - WITHOUT SEALING FITTINGS	TYPE 4	ALUMINIUM
20303.0124 + 20301.0169	25° POLE MOUNTING KIT WITH BRACKET - WITHOUT SEALING FITTINGS	TYPE 5	ALUMINIUM
	POLE MOUNTING KIT - WITH SEALING FITTINGS (EYS2 + NP2 + RMF2)	TYPE 6	ALUMINIUM

* only for lighting fixtures shown on reference details A - B

REMARK:

Due to the development of the national and international specifications and of the technology, the above technical characteristics showed on this bulletin can be considered as binding on our confirmation only.



Installation: hazardous areas - Zone 1 / 2 (Gases) - Zone 21 / 22 (Dusts)

Classification: Group II - Category 2G 2D



REFERENCE STANDARDS

Directive 2014/34/EU

EXECUTION	⊗ II 2 G Ex d IIC T4 Gb ⊗ II 2 D Ex tb IIIC T135°C Db
RULES OF COMPLIANCE	EN/IEC 60079-0; EN/IEC 60079-1; EN/IEC 60079-31;
EC Type-Examination Certificate	INERIS 01 ATEX 0054X
PROTECTION DEGREE	IP66
AMBIENT TEMPERATURE	-60°C ÷ +60°C
OTHER AVAILABLE CERTIFICATES	IECEX: IECEX INE 13.0075X INMETRO: CEPEL 14.2311X EAC: TC RU C-IT.BH02.B.00602 RINA: ELE18111CS_015 RUSSIAN MARINE CERTIFICATE (RMRS): 19.02519.280

Mechanical characteristics

Body	marine grade copper free aluminium (control gear & lamp body)
Globe	high-temperature resistant borosilicate glass
Painting	external epoxy powders grey RAL-9006 colour
Screws	external stainless steel
Protection	galvanized steel safe guard
Gaskets	silicon rubber

Electrical characteristics

Power supply	12 ÷ 230V AC/DC
Lampholders	porcelain E27



On Request Accessories:

- External painting colour on request

Technical data

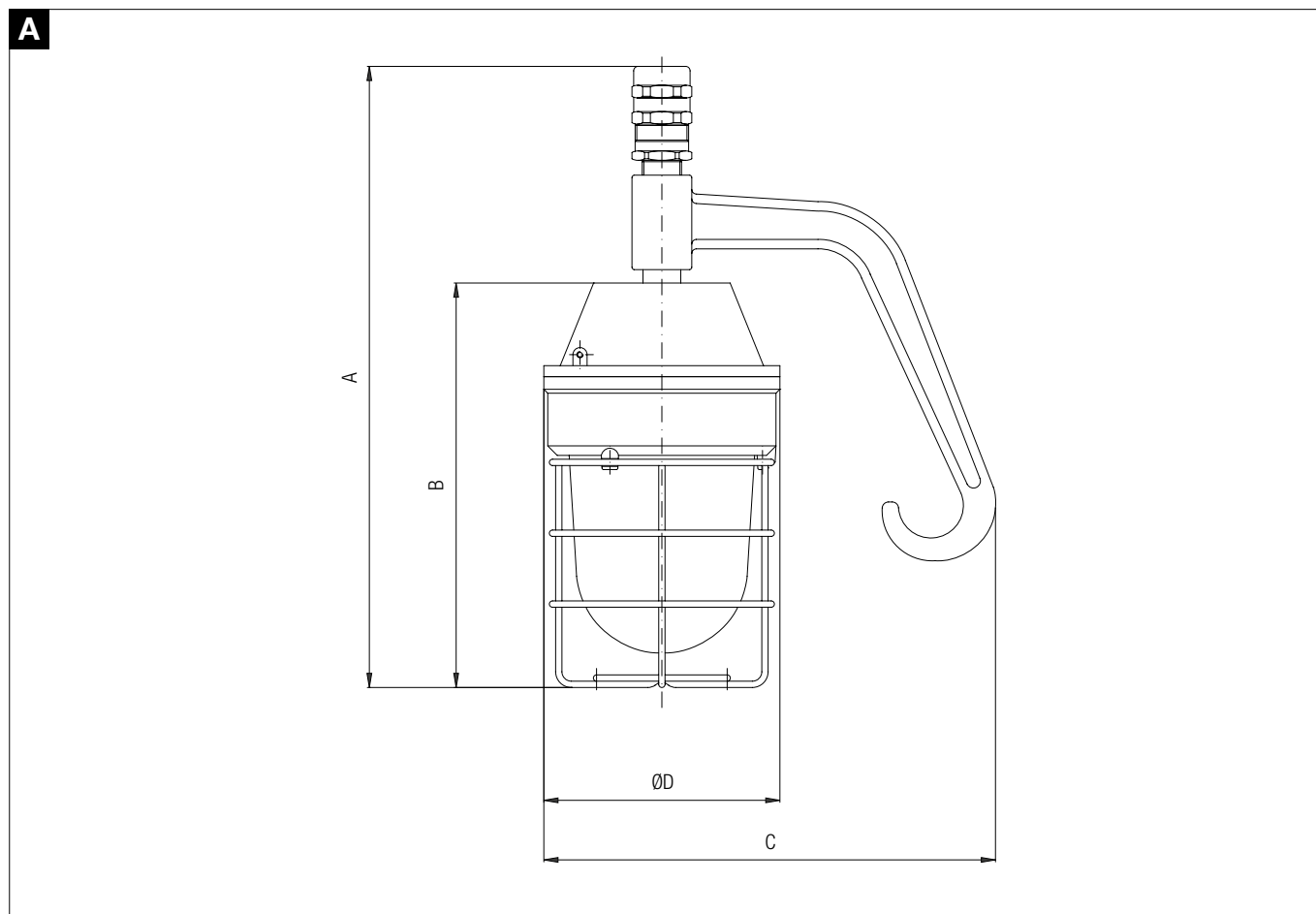
CODE	LAMP POWER	TEMPERATURE CLASS (GAS)	TEMPERATURE CLASS (DUSTS)	LAMPHOLDER SIZE	CABLE ENTRY SIZE	DETAIL
LIGHTING FIXTURE FOR INCANDESCENT* / LED / HALOGEN* / FLUORESCENT LAMP - POWER SUPPLY 230V-50Hz						
EVP100	100 W	T4	T 135°C	E-27	CABLE GLAND 1/2" NPT	A

*lamp not included.

Technical features

CODE	A [mm]	B [mm]	C [mm]	Ø D [mm]	WIGHT [Kg]	CABLE ENTRY	DETAIL
EVP100	395	257	287	150	4,00	CABLE GLAND 1/2" NPT	A

Reference details



REMARK:

Due to the development of the national and international specifications and of the technology, the above technical characteristics showed on this bulletin can be considered as binding on our confirmation only.


Installation: hazardous areas - Zone 1 / 2 (Gases) - Zone 21 / 22 (Dusts)

Classification: Group II - Category 2G 2D

REFERENCE STANDARDS
Directive 2014/34/EU

EXECUTION	Ⓢ II 2 G Ex d IIC T6/T4 Gb Ⓢ II 2 D Ex tb IIIC T85°C/T135°C Db
RULES OF COMPLIANCE	EN/IEC 60079-0; EN/IEC 60079-1; EN/IEC 60079-31;
EC Type-Examination Certificate	INERIS 01 ATEX 0054X
PROTECTION DEGREE	IP66
AMBIENT TEMPERATURE	-60°C ÷ +60°C
OTHER AVAILABLE CERTIFICATES	IECEx: IECEx INE 13.0075X INMETRO: CEPPEL 14.2311X EAC: TC RU C-IT.BH02.B.00602 RINA: ELE18111CS_015 RUSSIAN MARINE CERTIFICATE (RMRS): 19.02519.280

Mechanical characteristics

Body	marine grade copper free aluminium
Globe	high-temperature resistant borosilicate glass
Fresnel len	shock proof acrylic material suitable for high temperatures
Painting	external epoxy powders grey RAL-9006 colour
Screws	external stainless steel
Gaskets	silicon rubber

Electrical characteristics

Lampholders	porcelain E27 size
internal wiring	high-temperature resistant silicon rubber insulation cables
terminals	suitable up to 4mm/sq cables
medium intensity	flashing obstruction light 1450 / 2000 cd intensity (over than 45mt distance)
low intensity	steady obstruction light 30 cd intensity (less than 45mt distance)
construction	single awl - twin awl (1 main + 1 spare) in according to ICAO directive


On Request Accessories:

- Galvanized steel wire protection guard
- Stainless steel wire protection guard
- Aircraft Warning Lights and control panel support manufactured in according to customer specification
- External painting colour on request
- Threaded cable entry different than standard
- Xenoflash 6J lamp
- Electronic with voltage supply different than standard

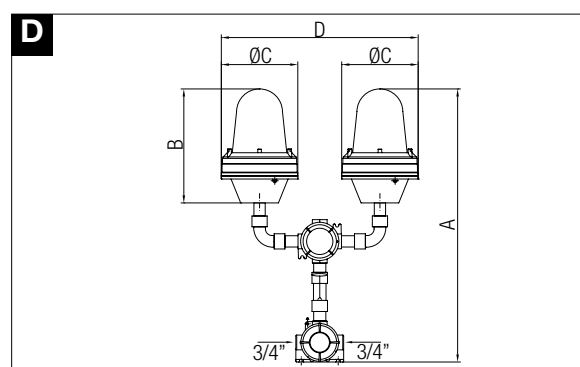
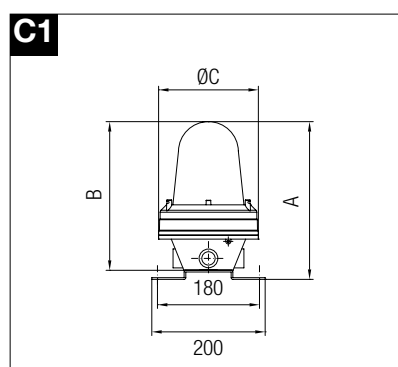
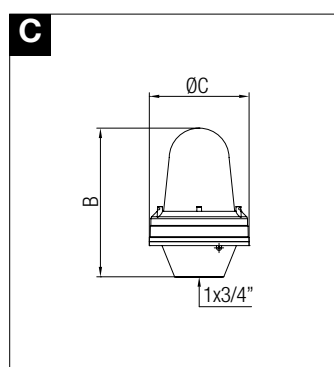
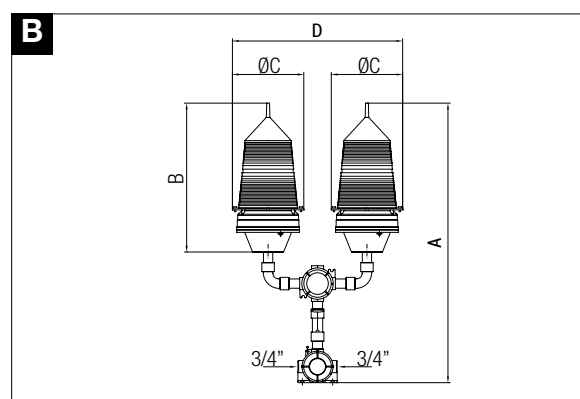
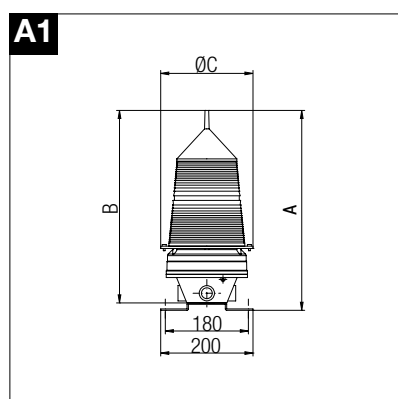
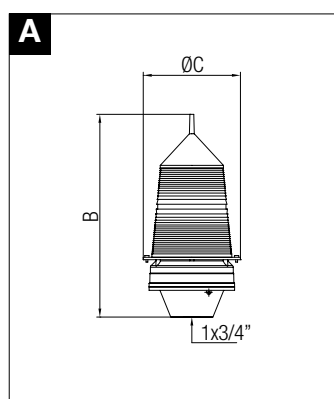
Technical data

CODE	LAMP TYPE	TEMPERATURE CLASS (GAS)	TEMPERATURE CLASS (DUSTS)	FLASHING [x/min.]	LAMPHOLDER	CABLE ENTRY SIZE	DETAIL
EVAC201-F	100W INCANDESCENT*	T4	T 135°C	-	E-27	1 x 3/4"	A
EVAC200-F	100W INCANDESCENT*	T4	T 135°C	-	E-27	2 x 3/4"	A-1
EVAC201-XF	2J XENOFASH	T6	T 85°C	65 ±10	E-27	1 x 3/4"	C
EVAC200-XF	2J XENOFASH	T6	T 85°C	65 ±10	E-27	2 x 3/4"	C-1
EVAC201-F2R	2 x 100W INCANDESCENT*	T4	T 135°C	-	E-27	2 x 3/4"	B
EVAC201-XF2R	2 x 2J XENOFASH	T6	T 85°C	65 ±10	E-27	2 x 3/4"	D
EVAC301-25R	40W INCANDESCENT*	T4	T 135°C	-	E-27	1 x 3/4"	C
EVAC300-25R	40W INCANDESCENT*	T4	T 135°C	-	E-27	2 x 3/4"	C-1

*lamp not included.

Technical features

CODE	A [mm]	B [mm]	Ø C [mm]	D [mm]	WEIGHT [kg]	CABLE ENTRY	DETAIL
EVAC201-F	-	415	200	-	4,50	1 x 3/4"	A
EVAC200-F	430	415	200	-	4,50	2 x 3/4"	A-1
EVAC201-XF	-	260	176	-	4,50	1 x 3/4"	C
EVAC200-XF	280	260	176	-	4,00	2 x 3/4"	C-1
EVAC201-F2R	790	415	200	475	9,00	2 x 3/4"	B
EVAC201-XF2R	630	260	176	453	8,00	2 x 3/4"	D
EVAC301-25R	345	322	197	-	7,00	1 x 3/4"	C
EVAC300-25R	-	322	197	-	7,00	2 x 3/4"	C-1



On request accessories

CODE	DESCRIPTION	MATERIAL
20302.0075	EVAC 200 / 201 SIZE STANDARD PROTECTION GUARD	GALVANIZED STEEL
20302.0076	EVAC 300 / 301 SIZE STANDARD PROTECTION GUARD	GALVANIZED STEEL
20302.0038	EVAC 200 / 201 SIZE STAINLESS STEEL PROTECTION GUARD	STAINLESS STEEL
20302.0039	EVAC 300 / 301 SIZE STAINLESS STEEL PROTECTION GUARD	STAINLESS STEEL
20302.0078	STRUCTURE MOUNTING KIT C/W HARDWARE	STAINLESS STEEL
1030.00055	RED FRESNEL LEN Ø155mm	ACRYLIC
1030.00186	ORANGE FRESNEL LEN Ø155mm	ACRYLIC
1030.00211	GREEN FRESNEL LEN Ø155mm	ACRYLIC
1030.00213	WHITE FRESNEL LEN Ø155mm	ACRYLIC



Installation: hazardous areas - Zone 1 / 2 (Gases)
Zone 21 / 22 (Dusts) - Safe area

Classification: Group II - Category 2G 2D



REFERENCE STANDARDS

Directive 2014/34/EU

EXECUTION	Ⓜ II 2 G Ex d IIC T6 / T5 Gb Ⓜ II 2 D Ex tb IIIC T85°C / T100°C Db
RULES OF COMPLIANCE	EN/IEC 60079-0; EN/IEC 60079-1; EN/IEC 60079-31
EC Type-Examination Certificate	INERIS 01 ATEX 0054X
PROTECTION DEGREE	IP66
AMBIENT TEMPERATURE	-60°C ÷ +60°C
OTHER AVAILABLE CERTIFICATES	IECEX: IECEX INE 13.0075X

INTERNATIONAL REGULATIONS COMPLIANCY FOR VISUAL AIDS

INMETRO: CEPEL 14.2311X
EAC: TC RU C-IT.BH02.B.00602
RINA: ELE18111CS_015
RUSSIAN MARINE CERTIFICATE (RMRS): 19.02519.280
ICAO International Standards and Recommended Practices: Aerodromes - Annex 14 - Volume 1 - 4th Edition (November 2004)
Charapter 6: Medium Intensity Type A-B-C Flashing - Steady burning obstacle light MIOL-A / MIOL-B / MIOL-C
Charapter 6: Low Intensity Type A-B Steady burning obstacle light LIOL-A / LIOL-B
FAA Advisor Circular AC150/5345-43F E.B.#67 - Lamp type MIOL-A / MIOL-B / MIOL-C / LIOL-A / LIOL-B

Mechanical characteristics

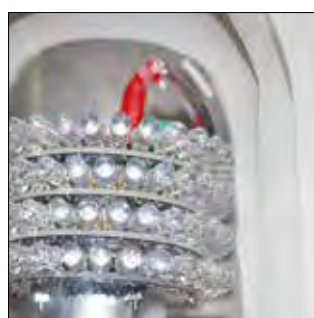
Body	Marine grade copper free aluminium
Globe	High-temperature resistant borosilicate glass (zone 1/2 - 21/22 version) Transparent polycarbonate u/v resistant (safe area version)
Painting	External epoxy powders grey RAL-9006 colour
Screws	External stainless steel
Gaskets	Silicon rubber
Cable entry	3/4" NPT size threaded

Electrical characteristics

Leds	separate groups with individual led protection system - led technology stallized by constant current generator
Consumption	LIOL-B = 8W (single and dual) / miol-B = 35W (single) - 70W (dual)
Medium intensity (MIOL)	flashing light with intensity 2000 cd (+/-25%) flashing 40 flash/minute
Low intensity (LIOL)	steady burning with intensity 10/32 cd
Realization	single group leds system with own reflector dual groups leds system, each group with own reflector (1 main + 1 reserve)

Optical characteristics

Horizontal beam radiation	360° (MIOL / LIOL)
Vertical beam radiation	LIOL = between 5° and 10° / MIOL = 3°
Efficency	> 91% - pfc factor 0,99
Expetancy life	long life time - more than 10 years



On Request Accessories:

- Stainless steel wire protection guard
- Aircraft Warning Lights and control panel support manufactured in according to customer specification
- External painting colour on request
- Threaded cable entry different than standard
- Control panel with simultaneous or catenary multilight flashing system

Technical data

CODE	LED LAMP GROUP	VISUAL AIDS TYPES	EXECUTION	TEMPERATURE CLASS (GAS)	TEMPERATURE CLASS (DUSTS)	CABLE ENTRIES	DETAIL
LOW INTENSITY OBSTRUCTION WARNING LIGHTS (LIOL)*							
LIOL-A-S	> 10 cd x 1	RED STEADY	Ex-d	T6	T85°C	1 x 3/4"	A
			Ex-de / weatherproof	T6 / -	T85°C / -	1 x 3/4"	A.1
LIOL-A-D	> 10 cd x 2	RED STEADY	Ex-d	T6	T85°C	1 x 3/4"	B
LIOL-B-S	> 32 cd x 1	RED STEADY	Ex-d	T6	T85°C	1 x 3/4"	A
			Ex-de / weatherproof	T6 / -	T85°C / -	1 x 3/4"	A.1
LIOL-B-D	> 32 cd x 2	RED STEADY	Ex-d	T6	T85°C	1 x 3/4"	B

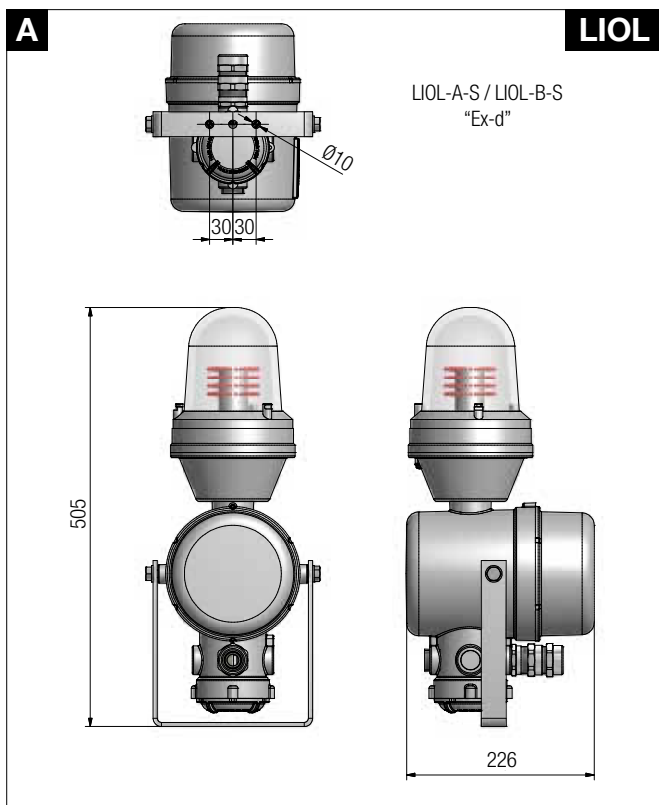
Note: S= single AWL - D= twin AWL
 *Incandescent/halogen lamp not included.

MEDIUM INTENSITY OBSTRUCTION WARNING LIGHTS (MIOL)*							
MIOL-A-S	= 20.000 cd x 1	WHITE FLASHING	Ex-d	T5	T100°C	1 x 3/4"	C
			Ex-de	T5	T100°C		C.1
			weatherproof	-	-		E
MIOL-A-D	= 20.000 cd x 2	WHITE FLASHING	Ex-d	T5	T100°C	1 x 3/4"	D
			weatherproof	-	-	E	
MIOL-B-S	= 2.000 cd x 1	RED FLASHING	Ex-d	T5	T100°C	1 x 3/4"	C
			Ex-de	T5	T100°C		C.1
			weatherproof	-	-		E
MIOL-B-D	= 2.000 cd x 2	RED FLASHING	Ex-d	T5	T100°C	1 x 3/4"	D
			weatherproof	-	-	E	
MIOL-C-S	= 2.000 cd x 1	RED STEADY	Ex-d	T5	T100°C	1 x 3/4"	C
			Ex-de	T5	T100°C		C.1
			weatherproof	-	-		E
MIOL-C-D	= 2.000 cd x 2	RED STEADY	Ex-d	T5	T100°C	1 x 3/4"	D
			weatherproof	-	-	E	

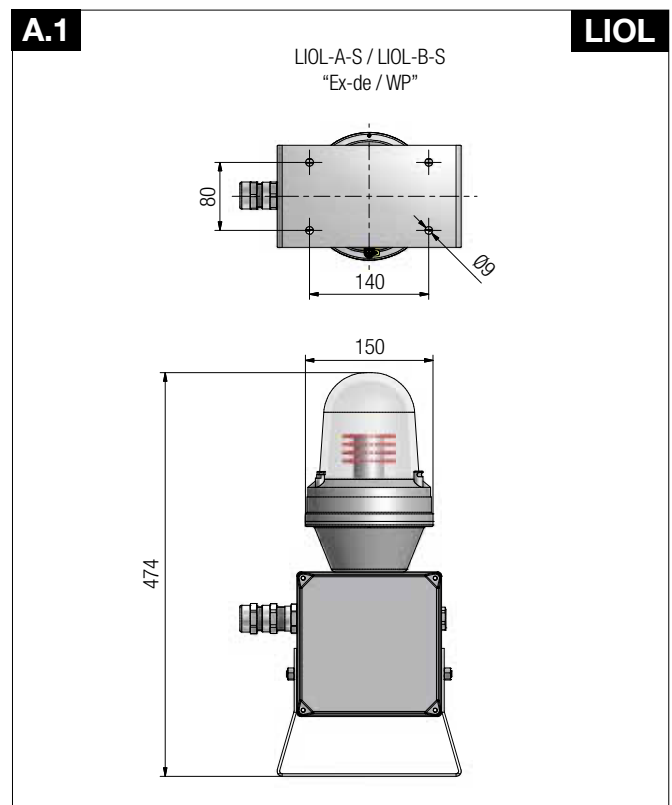
Note: S= single AWL - D= twin AWL
 *Incandescent/halogen lamp not included.

Technical features

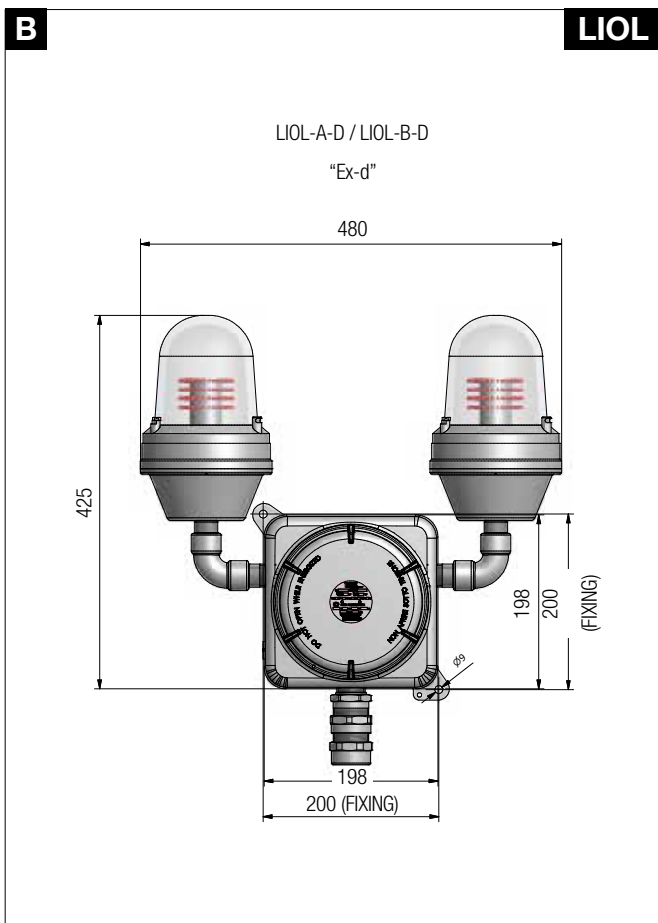
Reference details



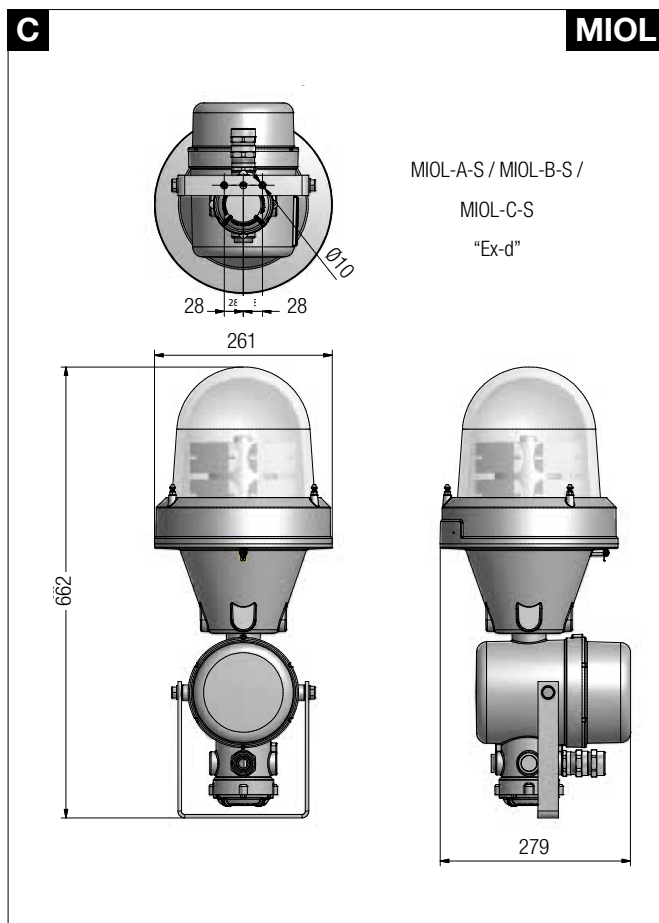
Reference details



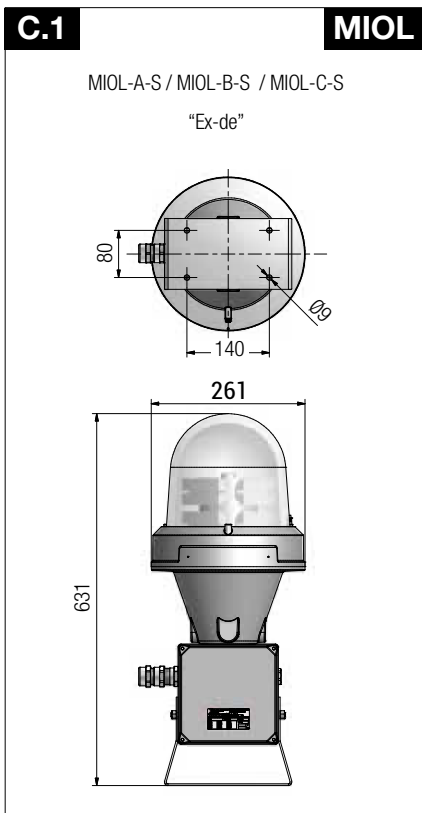
Reference details



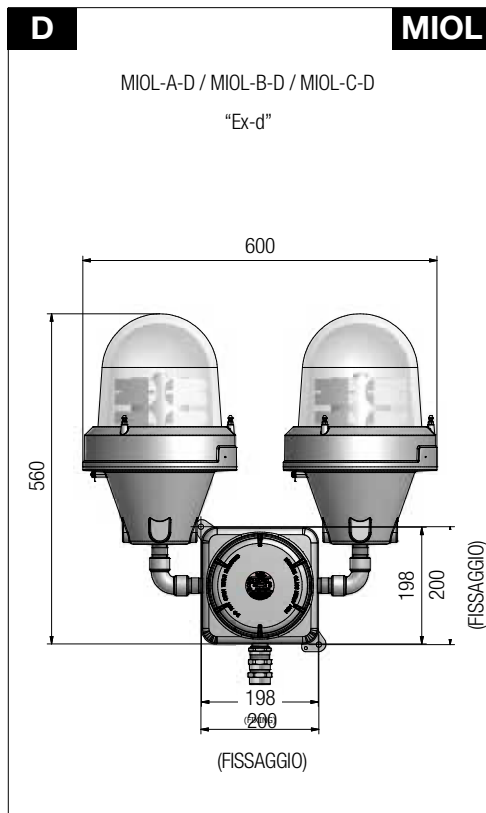
Reference details



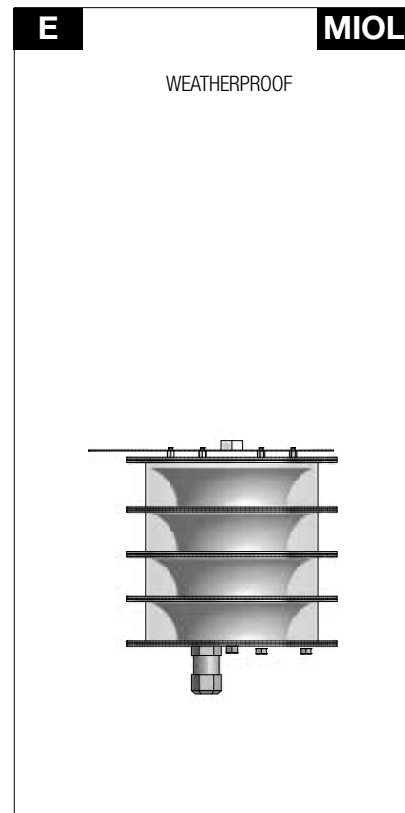
Reference details



Reference details



Reference details



MAIN RULES FOR VISUAL AIDS

ICAO Annex 14 - Aerodromes Vol. 1 - Chapter 6 / 10 (July 2004)

- The marking and/or lighting of obstacles is intended to reduce hazards to aircraft by indicating the presence of the obstacles (ICAO: Aerodromes - Annex 14 - Vol. 1 - Ch. 6.1)

- Marking (red-orange/white painting) is used for day time
- Marking may be omitted when the obstacle is lighted

- A fixed obstacle above a horizontal surface should be marked and, if the aerodrome is used at night, lighted.. (ICAO: Aerodromes - Annex 14 - Vol. 1 - Ch. 6.1.4)

- A system of preventive maintenance of visual aids shall be employed to ensure lighting and marking system reliability (ICAO: Aerodromes - Annex 14 - Vol. 1 - Ch. 10.4.2)

- The reliability of installed lighting equipments should not less than one year (ICAO: Aerodromes - Annex 14 - Vol. 1 - Ch. 10.4.6)

- The number and arrangement of Low, Medium or High Intensity Obstacle Lights , at each level to be marked, shall be such that the object is indicated from every angle in azimuth

- Where a light is shielded in any direction by another, additional light shall be provided (ICAO: Aerodromes - Annex 14 - Vol. 1 - Ch. 6.3.22)

- The number of lights needed for each level depends on the outside diameter of the obstacle
- The top lights should be placed sufficiently below the top, so as to minimize contamination by smoke, powders, and so on.. (ICAO: Aerodromes - Annex 14 - Vol. 1 - Ch. 6.3.12)

Reference details

TYPICAL AWL CONTROL PANELS "Ex-d-IIB"



Reference details

TYPICAL AWL CONTROL PANELS "Ex-d-IIC"



AWL TYPES (Aircraft Warning Lights)

LIOL-A / B Low Intensity Obstacle Lights on fixed objects, Type-A / Type-B, shall be steady burning RED lights
(ICAO: Aerodromes - Annex 14 - Vol. 1 - Ch. 6.3.23)

MIOL-A Medium Intensity Obstacle Lights on fixed objects, Type-A , shall be flashing WHITE lights

MIOL-B Medium Intensity Obstacle Lights on fixed objects, Type-B , shall be flashing RED lights

MIOL-C Medium Intensity Obstacle Lights on fixed objects, Type-C , shall be steady burning RED lights

(ICAO: Aerodromes - Annex 14 - Vol. 1 - Ch. 6.3.30)

MIOL-A / MIOL-B Medium Intensity Obstacle Lights Type-A / Type-B, located on an obstacle, shall be flash simultaneously

(ICA: Aerodromes - Annex 14 - Vol. 1 - Ch. 6.3.32)

HIOL-A / B High Intensity Obstacle Lights on fixed objects, Type-A / Type-B, shall be flashing WHITE lights

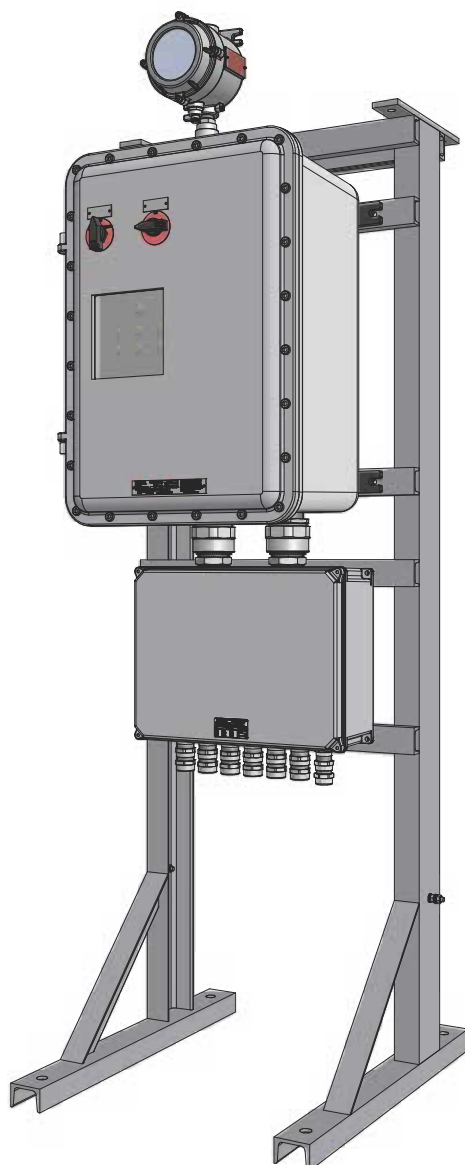
(ICAO: Aerodromes - Annex 14 - Vol. 1 - Ch. 6.3.33)

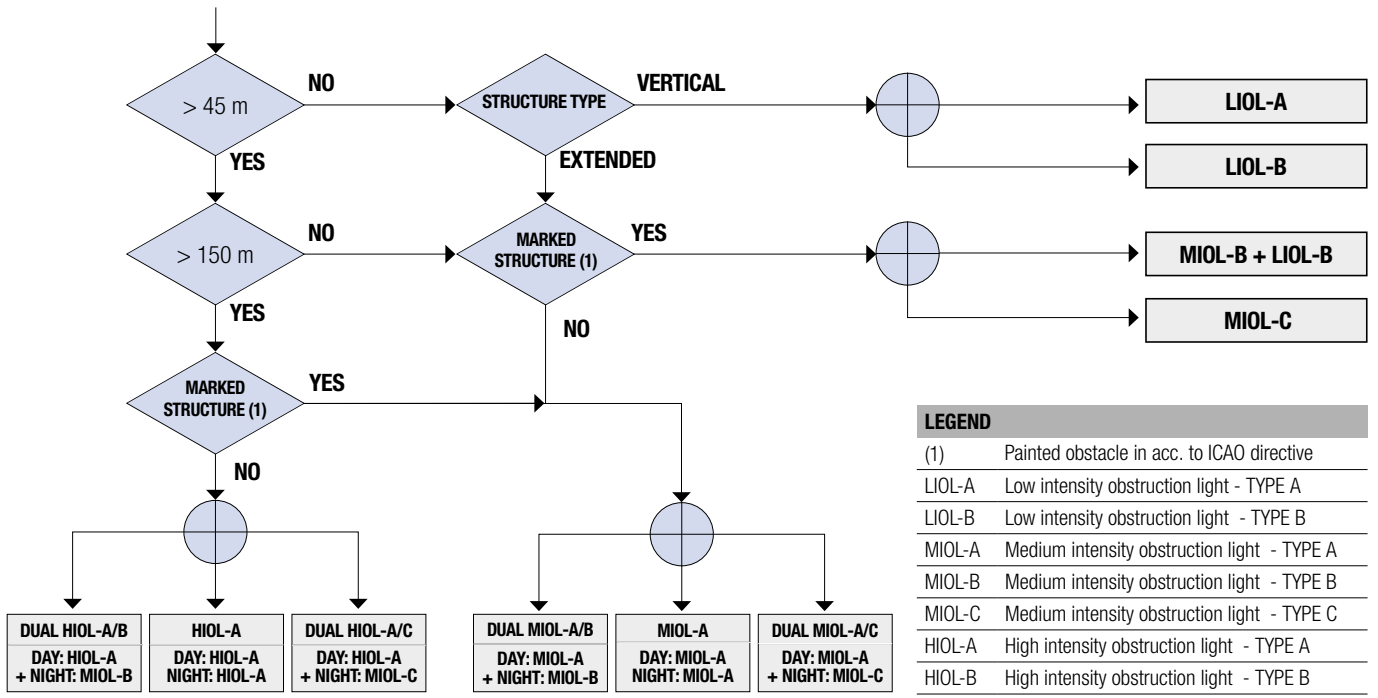
HIOL-A High Intensity Obstacle Lights Type-A, located on an obstacle, shall be flash simultaneously

(ICAO: Aerodromes - Annex 14 - Vol. 1 - Ch. 6.3.35)

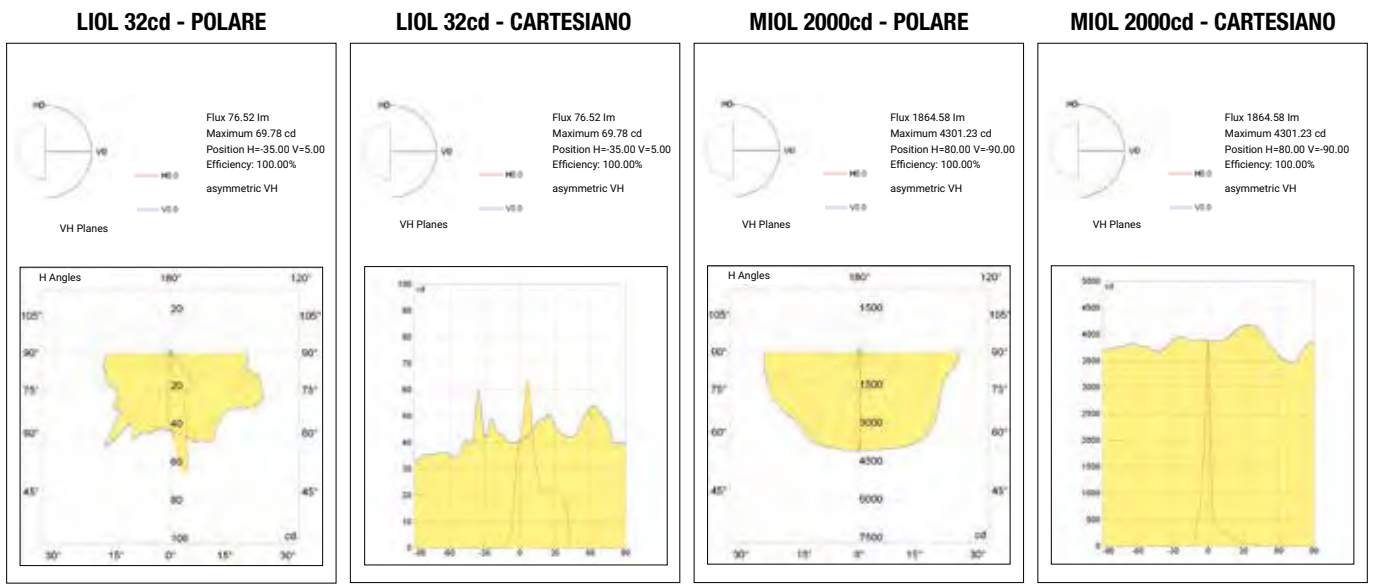
HIOL-B High Intensity Obstacle Lights Type-B, indicating the presence of tower supporting overhead wires, an others.. shall be flash sequentially

(ICAO: Aerodromes - Annex 14 - Vol. 1 - Ch. 6.3.36)

Reference details**TYPICAL AWL CONTROL PANELS "Ex-de"**



MIOL - LOL Polar diagrams – photometric data



REMARK:

Due to the development of the national and international specifications and of the technology, the above technical characteristics showed on this bulletin can be considered as binding on our confirmation only.



Installation: hazardous areas - Zone 1 / 2 (Gases)
Zone 21 / 22 (Dusts)

Classification: Group II - Category 2G 2D



REFERENCE STANDARDS

Directive 2014/34/EU

EXECUTION	Ⓢ II 2 G Ex d IIB + H2 T3/T2 or Ⓢ II 2 G Ex de IIB + H2 T3/T2 Ⓢ II 2 D Ex tb IIIC T200°C...T240°C
RULES OF COMPLIANCE	EN/IEC 60079-0; EN/IEC 60079-1; EN/IEC 60079-7; EN/IEC 60079-31
EC Type-Examination Certificate	INERIS 01 ATEX 0018
PROTECTION DEGREE	IP66
AMBIENT TEMPERATURE	-20°C ÷ +60°C
OTHER AVAILABLE CERTIFICATES	IECEx: IECEx INE 15.0003X INMETRO: CEPEL 15.2363X EAC: TC RU C-IT.BH02.B.00602 (-60°C ÷ +60°C) RINA: ELE18111CS_014 RUSSIAN MARINE CERTIFICATE (RMRS): 19.02519.280

Mechanical characteristics

Body	marine grade copper free aluminium
Diffuser	tempered front glass
Support	adjustable type hot dip galvanized steel
Reflector	internal polished aluminium
Painting	external epoxy powders grey RAL-9006 COLOUR
Screws	external stainless steel
Gaskets	silicon rubber
Cable entry	3/4" NPT (Ex d version) / ISO-M25 (Ex de version)

Electrical characteristics

Power supply	conventional ballast 230V- 50Hz (p.f.corrected - cos p ≥ 0,95)
Lampholders	porcelain E40 size
Internal wiring	high-temperature resistant silicon rubber insulation cables
Terminals	suitable up to 4sq/mm cables



On Request Accessories:

- External painting colour on request
- Control gear with voltage supply different than standard
- Threaded cable entry different than standard

Technical data

CODE	LAMP	TEMPERATURE CLASS (GAS)	TEMPERATURE CLASS (DUSTS)	LAMPHOLDER SIZE	CABLE ENTRY SIZE	DETAIL
LIGHTING FIXTURE FOR HALOGEN LAMP* - POWER SUPPLY 230V-50Hz						
SFD500IA	500 W	T2	T 217°C T 230°C T 240°C	R7s	2 x 3/4" NPT	A
SFDE500IA					2 x ISO-M25	B

*lamp not included.

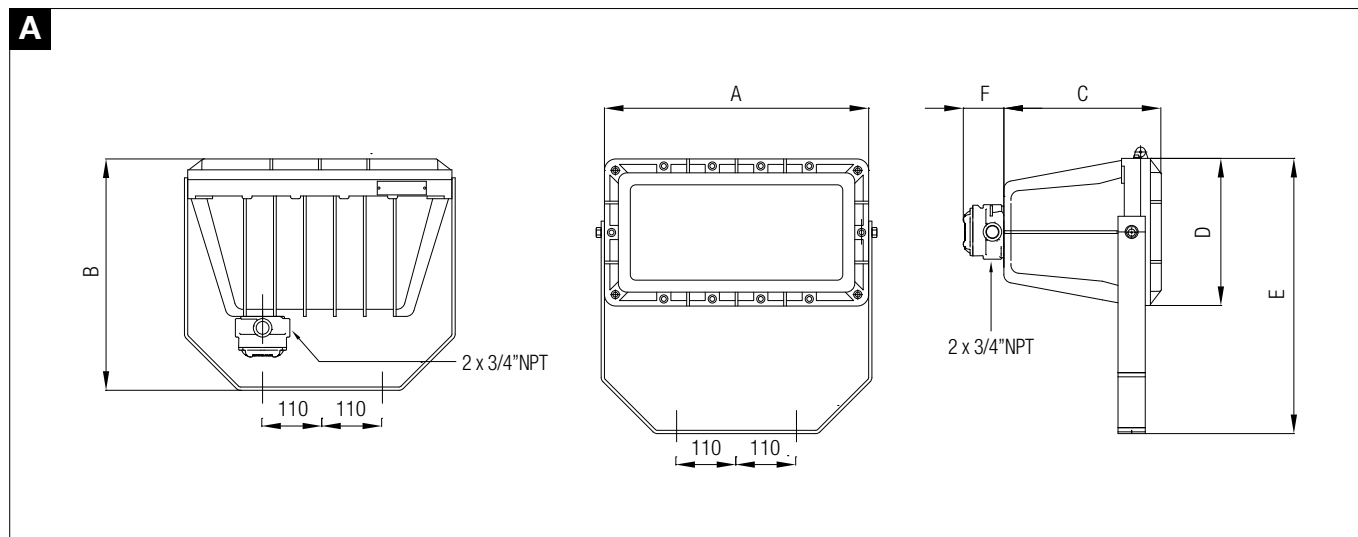
LIGHTING FIXTURE FOR HIGH PRESSURE SODIUM LAMP - POWER SUPPLY 230V 50Hz						
SFD150HPNA	150 W	T3	T 200°C	E-40	2 x 3/4" NPT	A
SFDE150HPNA					2 x ISO-M25	B
SFD250HPNA	250 W	T3 / T2	T 200°C / T 210°C	E-40	2 x 3/4" NPT	A
SFDE250HPNA					2 x ISO-M25	B
SFD400HPNA	400 W	T3 / T2	T 200°C / T 210°C / T 220°C	E-40	2 x 3/4" NPT	A
SFDE400HPNA					2 x ISO-M25	B
SFDE600HPNA	600 W	T3	T 200°C	E-40	2 x 3/4" NPT	C

LIGHTING FIXTURE FOR METAL HALIDE LAMP - POWER SUPPLY 230V 50Hz						
SFD250MH	250 W	T3	T 200°C	E-40	2 x 3/4" NPT	A
SFDE250MH					2 x ISO-M25	B
SFD400MH	400 W	T3 / T2	T 200°C / T 210°C / T 220°C	E-40	2 x 3/4" NPT	A
SFDE400MH					2 x ISO-M25	B

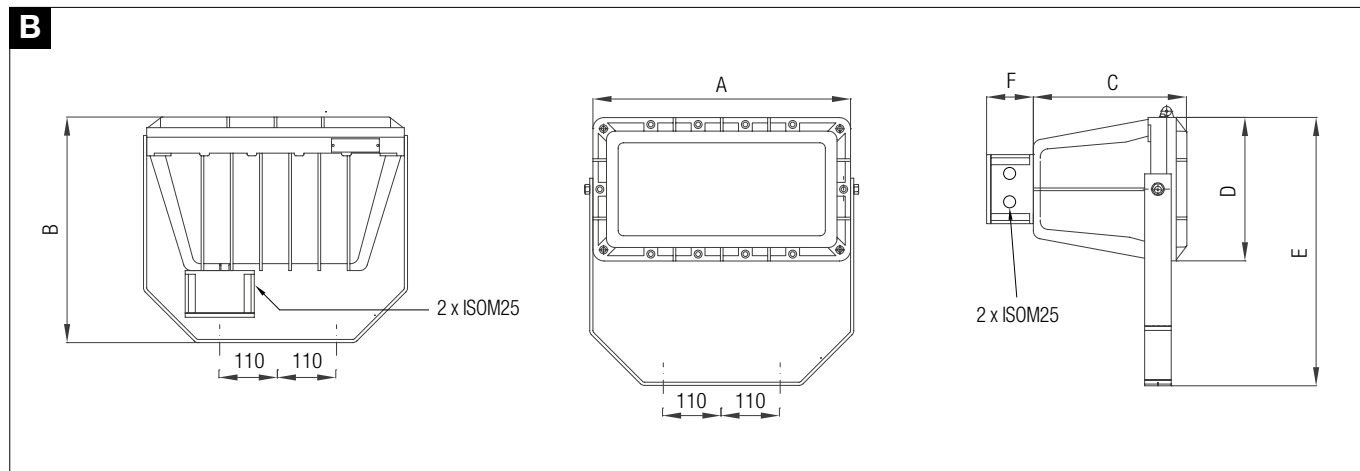
Technical features

CODE	A [mm]	B [mm]	C [mm]	D [mm]	E [mm]	F [mm]	WIGHT [Kg]	CABLE ENTRY	DETAIL
SFD...	485	435	290	270	500	75	25,00	2 x 3/4" NPT	A
SFDE...	485	435	290	270	500	88	25,00	2 x ISO-M25	B
SFDE600HPNA	485	590	290	270	420	240	30,00	2 x 3/4" NPT	C

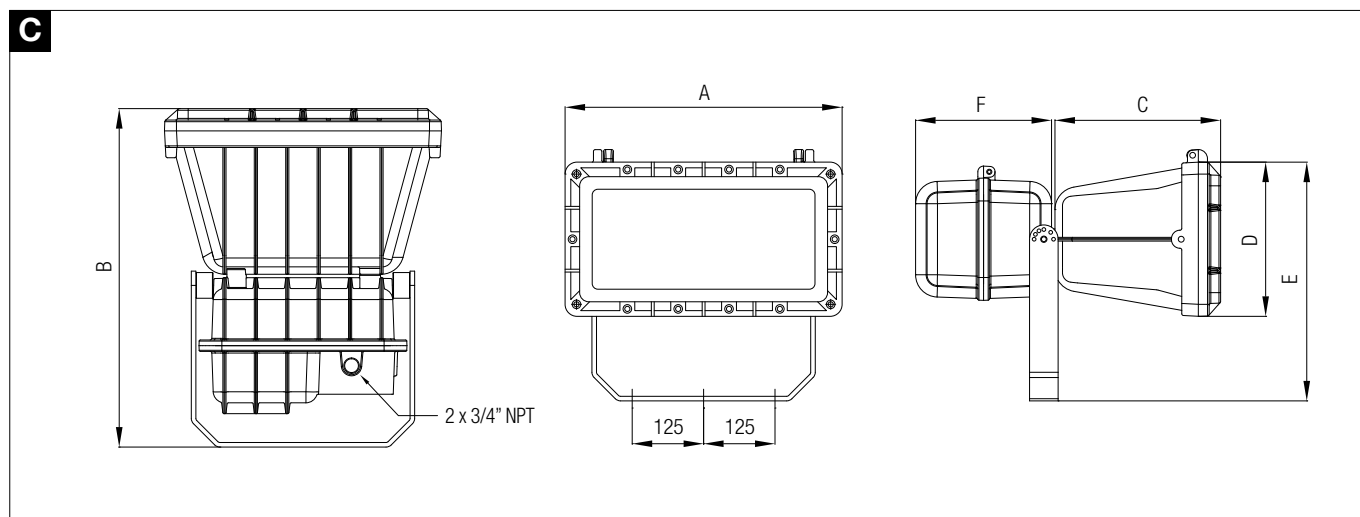
Reference details



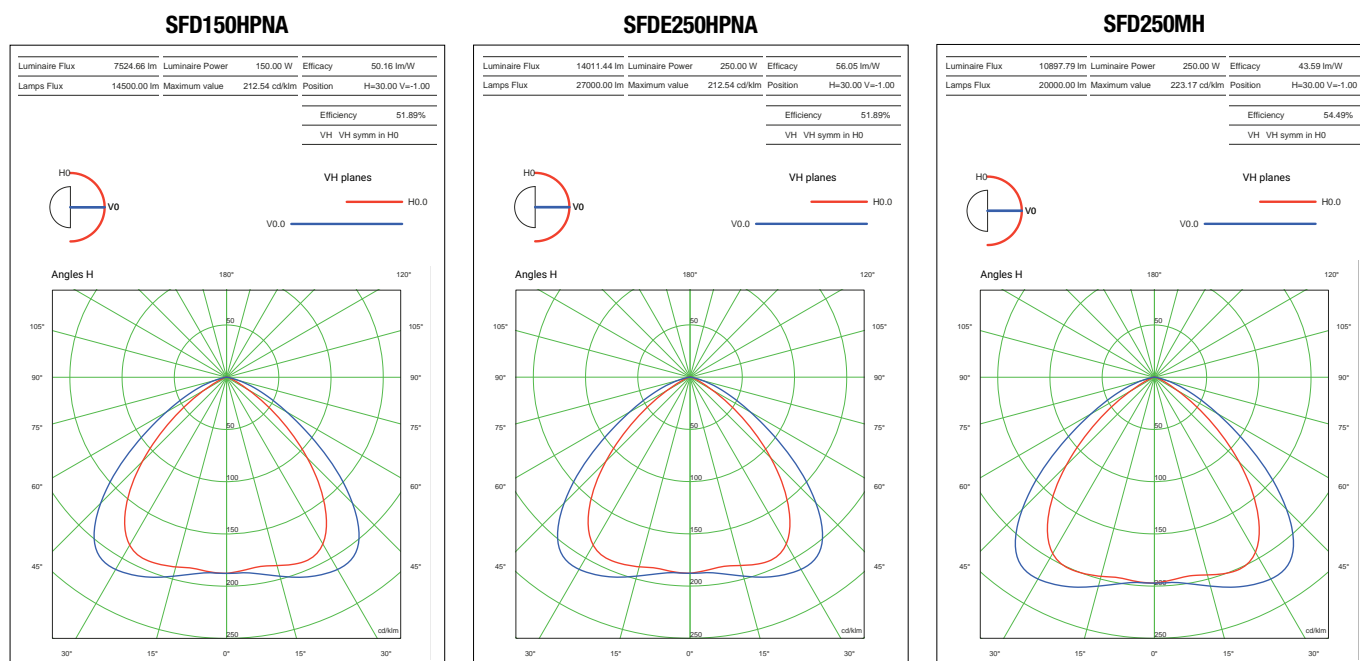
Reference details



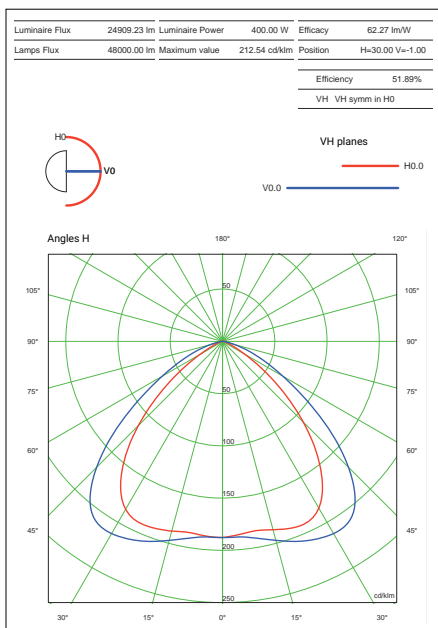
Reference details



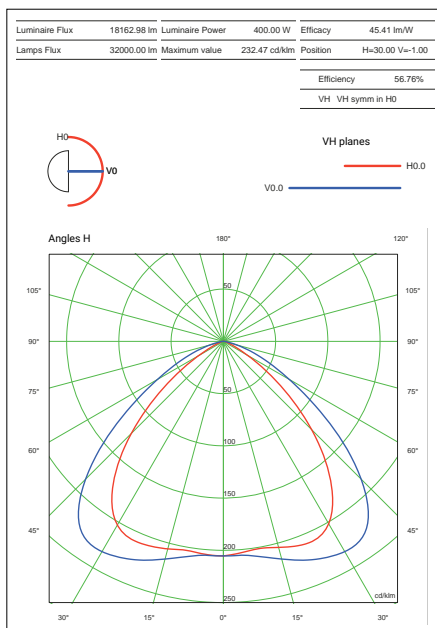
SFD-SFDE Polar diagrams – photometric data



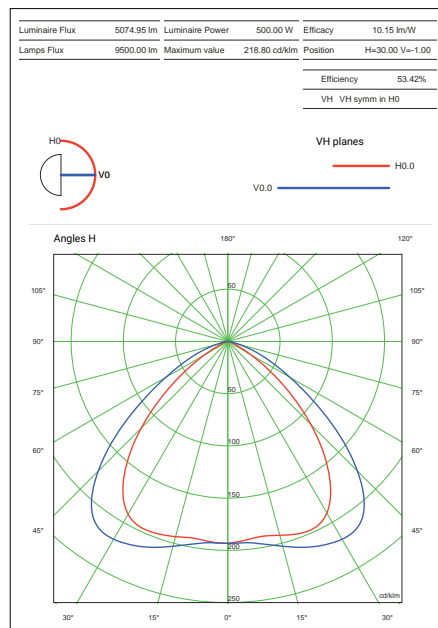
SFD400HPNA



SFD400MH



SFD500IA



REMARK:

Due to the development of the national and international specifications and of the technology, the above technical characteristics showed on this bulletin can be considered as binding on our confirmation only.



Installation: hazardous areas - Zone 1 / 2 (Gases)
Zone 21 / 22 (Dusts)

Classification: Group II - Category 2G 2D



REFERENCE STANDARDS

Directive 2014/34/EU

EXECUTION	Ⓜ II 2 G Ex d IIB + H2 T6...T4 or Ⓜ II 2 G Ex de IIB + H2 T6...T4 Ⓜ II 2 D Ex tb IIIC T85°C...T135°C
RULES OF COMPLIANCE	EN/IEC 60079-0; EN/IEC 60079-1; EN/IEC 60079-7; EN/IEC 60079-31
EC Type-Examination Certificate	INERIS 01 ATEX 0018
PROTECTION DEGREE	IP66
AMBIENT TEMPERATURE	-20°C ÷ +60°C
OTHER AVAILABLE CERTIFICATES	IECEx: IECEx INE 15.0003X INMETRO: CEPEL 15.2363X EAC: TC RU C-IT.BH02.B.00602 (-60°C ÷ +60°C) RINA: ELE18111CS_014 RUSSIAN MARINE CERTIFICATE (RMRS): 19.02519.280

Mechanical characteristics

Body	marine grade copper free aluminium
Diffuser	tempered front glass
Support	adjustable type hot dip galvanized steel
Painting	external epoxy powders grey RAL-9006 COLOUR
Screws	external stainless steel
Gaskets	silicon rubber
Cable entry	3/4"NPT (Ex d version) / ISO-M25 (Ex de version)

Electrical characteristics

Power supply	120 - 277Vac electronic driver 50/60 Hz - c/w surge protection 6KV and NTC thermal sensor
Lamp type	MK-R / CREE CRI 70, CCT 5700K. Lifetime: 80.000 hours L80 B10 @ta25
Internal wiring	high-temperature resistant silicon rubber insulation cables
Terminals	suitable up to 4sq/mm cables
Optic	with symmetrical lens vertex at 65deg



On Request Accessories:

- External painting colour on request
- Threaded cable entry different than standard

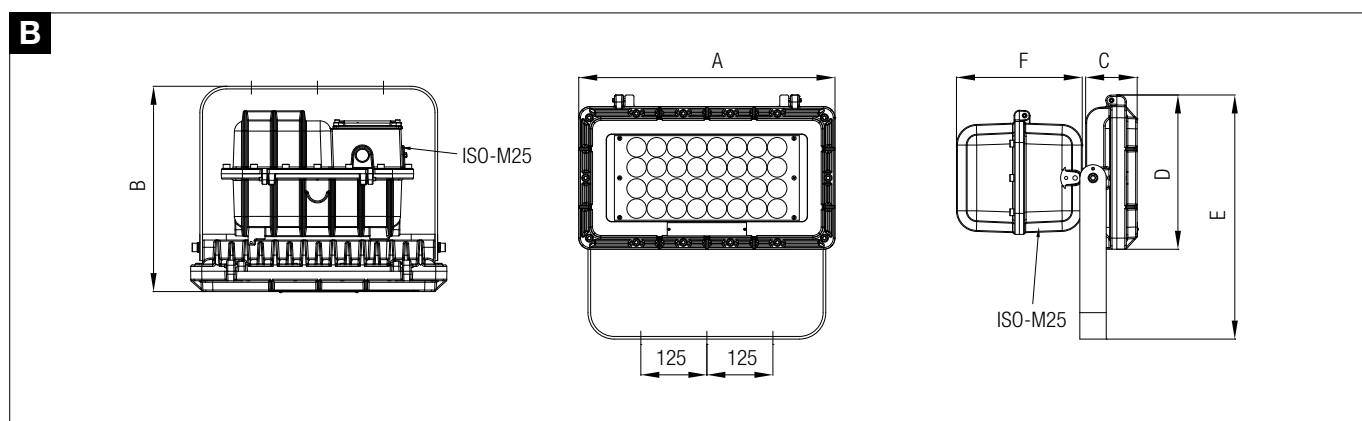
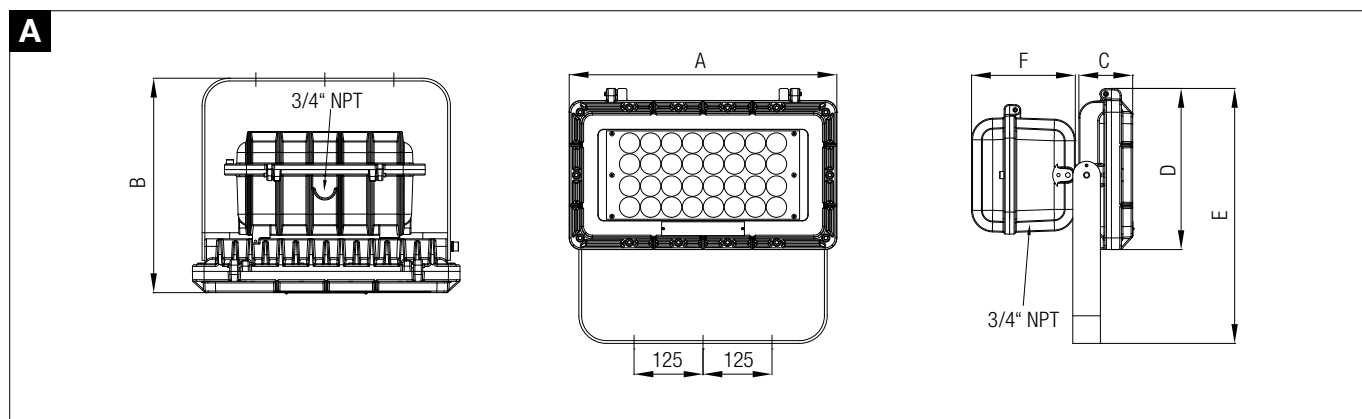
Technical data

CODE	POWER LAMP	TEMPERATURE CLASS (GAS)	TEMPERATURE CLASS (DUSTS)	NOMINAL OUTPUT (lm)	LAMP TYPE	CABLE ENTRY SIZE	DETAIL
FLOODLIGHTS FOR LED LAMP - POWER SUPPLY 120-277 Vac - 50/60 Hz							
SFD160-LED	160 W	T6 (Ta = -20°C / +40°C)	T 85°C	12705	POWER LED	2 x 3/4" NPT	A
SFDE160-LED		T5 (Ta = -20°C / +50°C) T4 (Ta = -20°C / +60°C)	T 100°C T 135°C			2 x ISO-M25	B
SFD192-LED	192W	T4 (Ta = -20°C / +60°C)	T135°C	17680		2 x 3/4" NPT	A
SFDE192-LED						2 x ISO-M25	B
SFD224-LED	224 W	T6 (Ta = -20°C / +40°C)	T 85°C	19360		2 x 3/4" NPT	A
SFDE224-LED		T5 (Ta = -20°C / +50°C) T4 (Ta = -20°C / +60°C)	T 100°C T 135°C			2 x ISO-M25	B

Technical features

CODE	A [mm]	B [mm]	C [mm]	D [mm]	E [mm]	F [mm]	WEIGHT [Kg]	CABLE ENTRY	DETAIL
SFD160-LED SFD192-LED SFD224-LED	485	390	100	292	462	190	25,00	2 x 3/4" NPT	A
SFDE160-LED SFDE192-LED SFDE224-LED	485	390	100	292	462	240	26,00	2 x ISO-M25	B

Reference details



REMARK:

Due to the development of the national and international specifications and of the technology, the above technical characteristics showed on this bulletin can be considered as binding on our confirmation only.



Installation: hazardous areas - Zone 1 / 2 (Gases)
Zone 21 / 22 (Dusts)

Classification: Group II - Category 2G 2D



REFERENCE STANDARDS

Directive 2014/34/EU

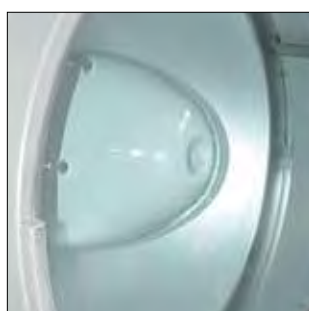
EXECUTION	⊗ II 2 GD EEx d IIC T4 or T3 or T2 T135°C or T160°C or T200°C or T230°C
RULES OF COMPLIANCE	EN 50014 + A1 and A2 - EN 50018 EN 50281-1-1 + A1
EC Type-Examination Certificate	INERIS 03 ATEX 0004X
PROTECTION DEGREE	IP66
AMBIENT TEMPERATURE	-20°C ÷ +52°C
OTHER AVAILABLE CERTIFICATES	EAC: TC RU C-IT.BH02.B.00602 (-60°C ÷ +60°C) IRUSSIAN MARINE CERTIFICATE (RMRS): 19.02519.280

Mechanical characteristics

Body	marine grade copper free aluminium
Diffuser	tempered front glass
Support	adjustable type hot dip galvanized steel
Reflector	internal polished aluminium
Painting	external epoxy powders grey RAL-9006 COLOUR
Screws	external stainless steel
Gaskets	silicon rubber
Cable entry	3/4" NPT size threaded

Electrical characteristics

Power supply	conventional ballast 230V - 50Hz (p.f.corrected - $\cos \rho \geq 0,95$)
Lampholders	porcelain E40 size
Internal wiring	high-temperature resistant silicon rubber insulation cables
Terminals	suitable up to 4sq/mm cables



On Request Accessories:

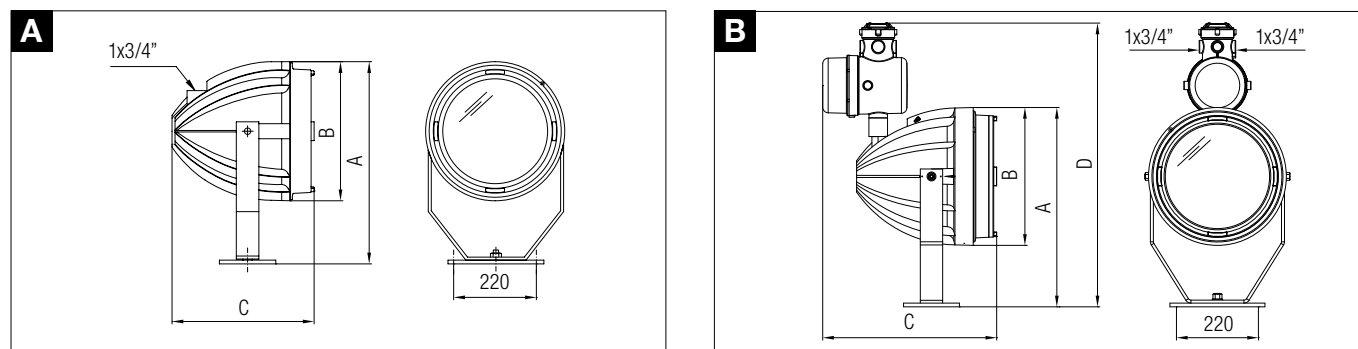
- External painting colour on request
- Control gear with voltage supply different than standard
- Threaded cable entry different than standard

Technical data

CODE	LAMP	TEMPERATURE CLASS (GAS)	TEMPERATURE CLASS (DUSTS)	LAMPHOLDER SIZE	CABLE ENTRY SIZE	DETAIL
LIGHTING FIXTURE FOR INCANDESCENT LAMP* - POWER SUPPLY 230V-50Hz						
RCDE500	500 W	T2	T230°C	E-40	1x3/4"	A
RCDE500	300 W	T3	T160°C	E-40	1x3/4"	A
*lamp not included.						
LIGHTING FIXTURE FOR BLENDED LIGHT LAMP - POWER SUPPLY 230V 50Hz						
RCDE500	500 W	T3 / T2	T200°C / T230°C	E-40	1x3/4"	A
LIGHTING FIXTURE FOR BLENDED LIGHT LAMP - POWER SUPPLY 230V 50Hz						
RCDE250HG	250 W	T3	T160°C	E-40	2x3/4"	B
RCDE400HG	400 W	T3	T200°C	E-40	2x3/4"	B
LIGHTING FIXTURE FOR HIGH PRESSURE SODIUM LAMP - POWER SUPPLY 230V 50Hz						
RCDE250HPNA	250 W	T4 / T3	T135°C / T160°C	E-40	2x3/4"	B
RCDE400HPNA	400 W	T3	T200°C	E-40	2x3/4"	B
LIGHTING FIXTURE FOR METAL HALIDE LAMP - POWER SUPPLY 230V 50Hz						
RCDE250MH	250 W	T4 / T3	T135°C / T160°C	E-40	2x3/4"	B
RCDE400MH	400 W	T3	T200°C	E-40	2x3/4"	B

Technical features

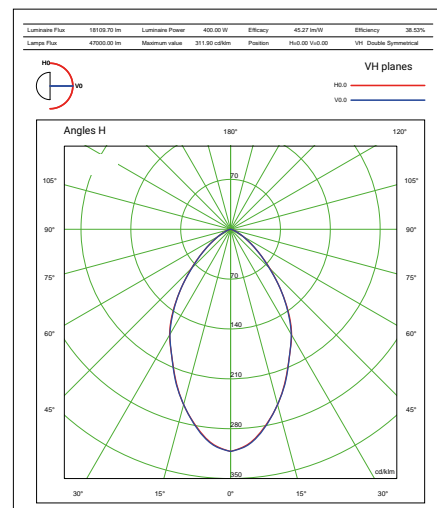
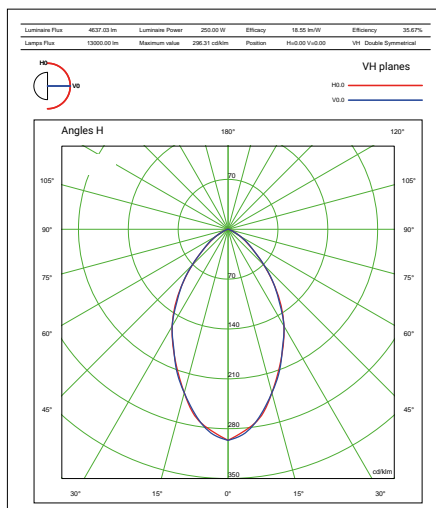
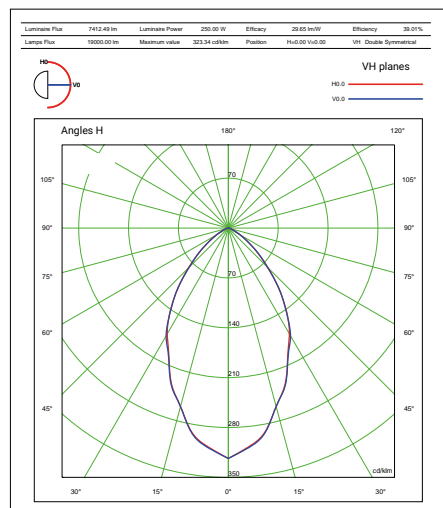
CODE	A [mm]	B [mm]	C [mm]	D [mm]	WIGHT [Kg]	CABLE ENTRY	DETAIL
RCDE500	535	370	376	-	21,00	1 x 3/4"	A
RCDE250HG	535	370	406	700	29,00	2 x 3/4"	B
RCDE400HG	535	370	406	700	29,50	2 x 3/4"	B
RCDE250HPNA	535	370	406	700	31,00	2 x 3/4"	B
RCDE400HPNA	535	370	406	700	31,50	2 x 3/4"	B
RCDE250MH	535	370	406	700	26,50	2 x 3/4"	B
RCDE400MH	535	370	406	700	31,50	2 x 3/4"	B



RCDE250MH

RCDE250HG

RCDE400HPNA



REMARK:

Due to the development of the national and international specifications and of the technology, the above technical characteristics showed on this bulletin can be considered as binding on our confirmation only.


Installation: hazardous areas - Zone 1 / 2 (Gases) - Zone 21 / 22 (Dusts)

Classification: Group II - Category 2G 2D

REFERENCE STANDARDS
Directive 2014/34/EU

EXECUTION	Ⓢ II 2 G Ex db op is IIC T5/T4 Gb Ⓢ II 2 D Ex op is tb IIIC T100°C/T135°C Db IP66
RULES OF COMPLIANCE	EN/IEC 60079-0; EN/IEC 60079-1; EN/IEC 60079-7; EN/IEC 60079-28; EN/IEC 60079-31;
EC Type-Examination Certificate	INERIS 17ATEX0046X
PROTECTION DEGREE	IP66
AMBIENT TEMPERATURE	-60°C ÷ +60°C
OTHER AVAILABLE CERTIFICATES	IECEx: IECEx INE 17.0038X EAC: TC RU C-IT.BH02.B.00602 (-60°C ÷ +60°C)

Mechanical characteristics

Body	marine grade copper free aluminium
Diffuser	tempered front glass
Support	adjustable type hot dip galvanized steel
Painting	external epoxy powders grey RAL-9006 colour
Screws	external stainless steel
Gaskets	silicon rubber
Cable entry	2 x 3/4" NPT (2 x ISO-M25 as option)

Electrical characteristics

Power supply	100÷240Vac - 50/60 Hz 127÷250Vdc
Lamp type	Power LED Type "cold white" - CCT 5700K with symmetric 65deg secondary lens
Internal wiring	high-temperature resistant silicon rubber insulation cables
Terminals	suitable up to 4sq/mm cables


On Request Accessories:

- External painting colour on request
- Threaded cable entry different than standard

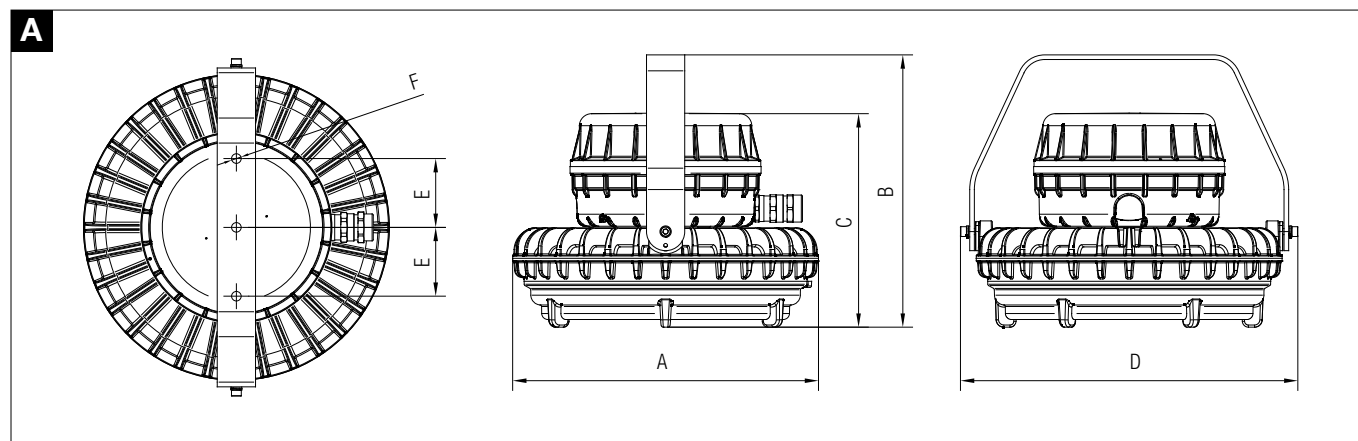
Technical data

CODE	LAMP	TEMPERATURE CLASS (GAS)	TEMPERATURE CLASS (DUSTS)	NOMINAL OUTPUT (lm)	CABLE ENTRY SIZE	DETAIL
LIGHTING FIXTURE FOR LED LAMP - POWER SUPPLY (100±240Vac - 50/60 Hz) - (127±250Vdc)						
RCDE160LED	160 W	T5 (Ta +40°C) / T4 (Ta +60°C)	T100°C / T135°C	12135 lm	2 x 3/4" NPT	A
RCDE192LED	192 W	T5 (Ta +40°C) / T4 (Ta +60°C)	T100°C / T135°C	14563 lm	2 x 3/4" NPT	A

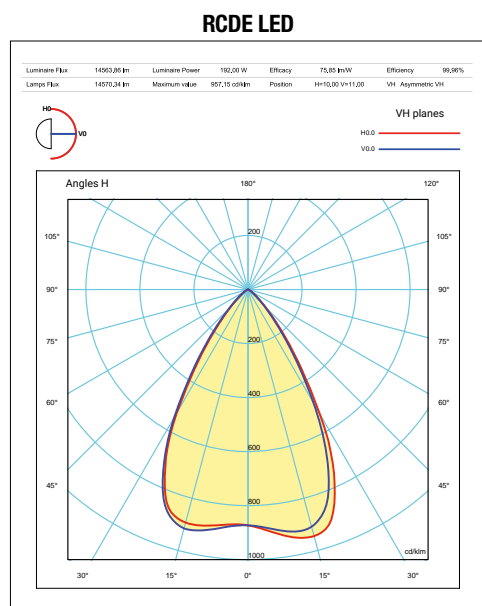
Technical features

CODE	A [mm]	B [mm]	C [mm]	D [mm]	E [mm]	F [mm]	WIGHT [Kg]	CABLE ENTRY	DETAIL
RCDE160LED	400	356	279	441	90	Ø12,5	21,00	2 x 3/4" NPT	A
RCDE192LED							21,50		

Reference details



RCDE LED Polar diagrams – photometric data



REMARK:

Due to the development of the national and international specifications and of the technology, the above technical characteristics showed on this bulletin can be considered as binding on our confirmation only.



Installation: hazardous areas - Zone 1 / 2 (Gases)
Zone 21 / 22 (Dusts)

Classification: Group II - Category 2G 2D



REFERENCE STANDARDS

Directive 2014/34/EU

EXECUTION	EVO ⊗ II 2 G Ex d IIC T6-T5-T3 Gb ⊗ II 2 D Ex tb IIIC T85°C-T100°C-T200°C Db
	EVT ⊗ II 2 G Ex d IIC T6-T4-T3 Gb ⊗ II 2 D Ex tb IIIC T85°C-T135°C-T150°C Db
	TLF ⊗ II 2 G Ex d / Ex de IIB T3 ⊗ II 2 D Ex tD A21 T200°C
RULES OF COMPLIANCE	EN/IEC 60079-0; EN/IEC 60079-1; EN/IEC 60079-31; EN/IEC 61241-0; EN/IEC 61241-1
EC Type-Examination Certificate	INERIS 01 ATEX 0039X (EVO) INERIS 01 ATEX 0040 (EVT) INERIS 01 ATEX 0026 (TLF)
PROTECTION DEGREE	IP66
AMBIENT TEMPERATURE	-60°C ÷ +60°C (EVO - EVT) -20°C ÷ +52°C (TLF)
OTHER AVAILABLE CERTIFICATES	IECEX: IECEX INE 12.0018X (EVO) IECEX INE 12.0027X (EVT)
	INMETRO: CEPEL 12.2157 (EVO) CEPEL 12.2155 (EVT)
	EAC: TC RU C-IT.BH02.B.00602 (-60°C ÷ +60°C)
	RUSSIAN MARINE CERTIFICATE (RMRS): 19.02519.280

Mechanical characteristics

Body	marine grade copper free aluminium
Diffuser	borosilicate frontal glass (EVT)
Diffuser	tempered frontal glass (EVO - TLF)
Painting	external epoxy powders grey RAL-9006 colour
Screws	external stainless steel
Gaskets	silicon rubber
Cable entry	3/4" NPT size threaded
Protection guard	galvanized wire steel (EVT ONLY)

Electrical characteristics

Power supply	standard voltage 230V - 50Hz
Lampholders	porcelain E27 size
Internal wiring	high-temperature resistant silicon rubber insulation cables
Terminals	suitable up to 4sq/mm cables



On Request Accessories:

- External painting colour on request
- Threaded cable entry different than standard

Technical data

CODE	LAMP TYPE and POWER	TEMPERATURE CLASS (GAS)	TEMPERATURE CLASS (DUSTS)	LAMPHOLDER SIZE	CABLE ENTRY SIZE	DETAIL
LIGHTING FIXTURE DIRECTLY SUPPLIED - POWER SUPPLY 220/230V-50Hz						
EVO100	100W INCANDESCENT*	T3	T 200°C	E-27	1x3/4"	A
	105W HALOGEN*	T3	T 200°C	E-27	1x3/4"	A
	12W LED	T6 / T5	T 85°C / T 100°C	E-27	1x3/4"	A
EVT100	100W INCANDESCENT*	T4 / T3	T135°C / T150°C	E-27	2x3/4"	B
	105W HALOGEN*	T4 / T3	T135°C / T150°C	E-27	2x3/4"	B
	6W LED	T6	T 85°C	E-27	2x3/4"	B
TLF100	75W o 100W INCANDESCENT*	T3	T 200°C	E-27	2x3/4"	C

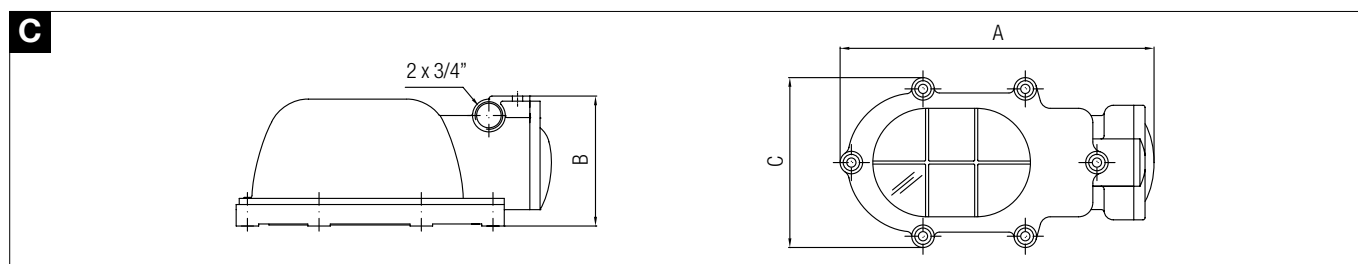
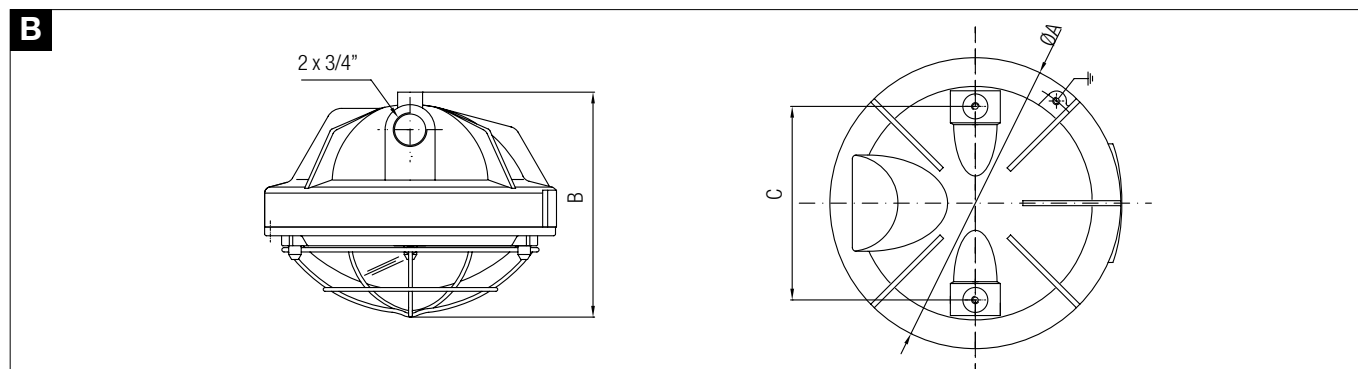
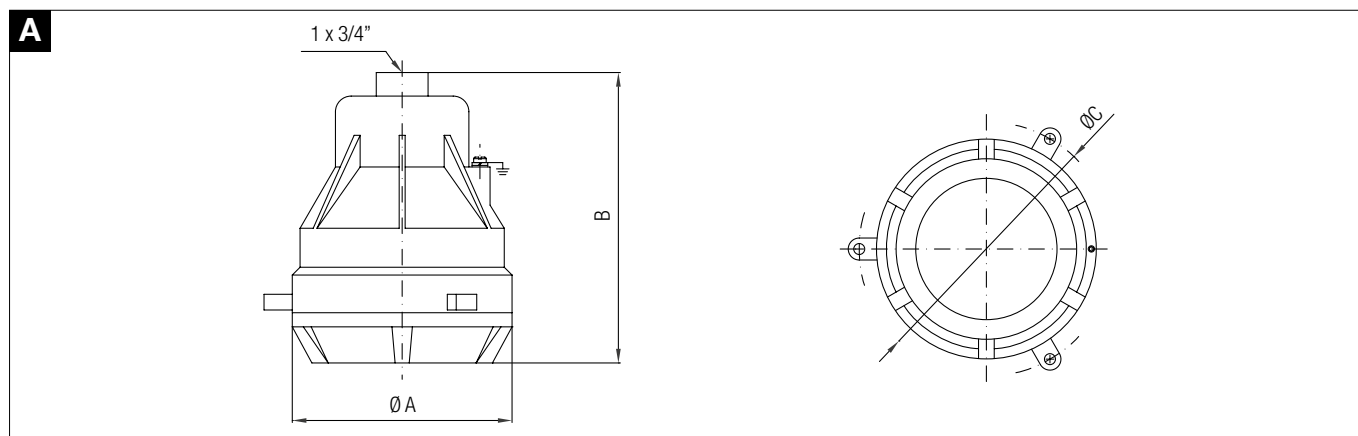
*lamp not included.

LIGHTING FIXTURE FOR H.P.MERCURY VAPOUR LAMP - WITH SEPARATE CONTROL GEAR - POWER SUPPLY 230V-50Hz						
TLF100-80HG	80 W	T3	T 200°C	E-27	2x3/4"	C

Technical features

CODE	A [mm]	B [mm]	C [mm]	WIGHT [Kg]	CABLE ENTRY	DETAIL
EVO100	Ø140	185	Ø162	2,00	1 x 3/4"	A
EVT100	Ø233	180	155	4,00	2 x 3/4"	B
TLF100	309	127	165	3,00	2 x 3/4"	C

Reference details



REMARK:

Due to the development of the national and international specifications and of the technology, the above technical characteristics showed on this bulletin can be considered as binding on our confirmation only.



Installation: hazardous areas - Zone 1 / 2 (Gases)
Zone 21 / 22 (Dusts)

Classification: Group II - Category 2G 2D



REFERENCE STANDARDS

Directive 2014/34/EU

EXECUTION	(fluo)	<ul style="list-style-type: none"> ⊗ Ex db IIB + H2 T6... T5 Gb ⊗ Ex tb IIIC T85°C... T100°C Db
	(led)	<ul style="list-style-type: none"> ⊗ Ex db op is IIB + H2 T6... T4 Gb ⊗ Ex op is tb IIIC T85°C... T135°C Db
RULES OF COMPLIANCE	EN/IEC 60079-0; EN/IEC 60079-1; EN/IEC 60079-31; EN/IEC 60079-28	
EC Type-Examination Certificate	INERIS 15 ATEX 0024X	
PROTECTION DEGREE	IP66	
AMBIENT TEMPERATURE	-60°C ÷ +80°C	
OTHER AVAILABLE CERTIFICATES	IECEx: IECEx INE 15_0030X INMETRO: CEPEL 15.2385X EAC: TC RU C-IT.BH02.B.00602 (-60°C ÷ +60°C) RINA: ELE18111CS_014 RUSSIAN MARINE CERTIFICATE (RMRS): 19.02519.280	

Mechanical characteristics

Body	marine grade copper free aluminium
Diffuser	high-temperature resistant borosilicate glass
Painting	external epoxy powders grey RAL-9006 colour
Screws	external stainless steel
Reflectors	white stove enamelled sheet steel
Cable entry	3/4" NPT size threaded c/w cable gland

Electrical characteristics

Power supply (fluo)	electronic ballast 230V/240V 50/60Hz (cos ρ ≥ 0,98)
	electronic ballast 100V/240V 50/60Hz (always on – maintained)
Power supply (led)	electronic ballast 120V/240V 50/60Hz (network only – not maintained)
	electronic ballast 230V/240V 50/60Hz (only in emergency)
Lampholders	bi-in g5 cap (fluorescent lamp only)
Internal wiring	high-temperature resistant silicon rubber insulation cables
Terminals	suitable up to 4 sq/mm cables
Emergency unit	emergency unit for maintained and not maintained (see technical data table)

Functional characteristics

EXL08 (Network only): 8W fluorescent lamp and electronic ballast 230V/240V 50/60Hz

EXL08ESA-3 (Always On - Maintained): 8W fluorescent lamp and electronic ballast 230V/240V AC

EXL08E-3 (Emergency only - Not Maintained): 8W fluorescent lamp and electronic ballast 230V/240V AC

EXL08L / EXL208L (Network only): with high brightness LEDs (350mA – 4W) supply from 120V up to 240V AC/DC

EXL08LE-SA (Always On - Maintained): with high brightness LEDs (350mA – 4W) supply from 100V up to 240V AC with charge status monitor LED system (RED; battery under charging – GREEN: battery loaded)

EXL08LE (Emergency only - Not maintained): with high brightness LEDs (350mA – 4W) supply from 100V up to 240V AC with charge status monitor LED system (RED; battery under charging – GREEN: battery loaded)



On Request Accessories:

- External painting colour on request
- Electronic ballast with voltage supply different than standard
- Threaded cable entry different than standard
- Self-adhesive green label with EXIT sign (language on request)

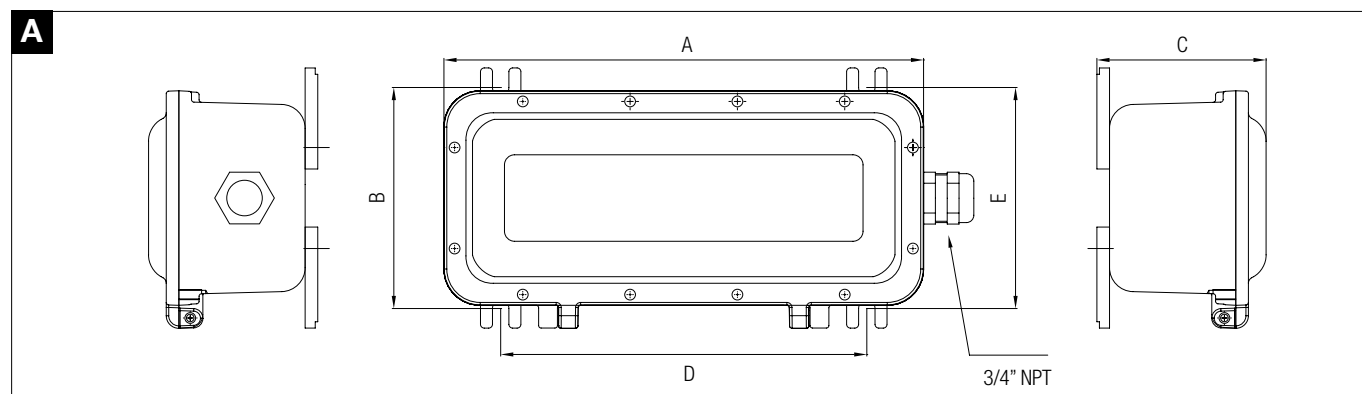
Technical data

CODE	POWER SUPPLY	LAMP	mA (LED)	TEMPERATURE CLASS (GAS)	TEMPERATURE CLASS (DUSTS)	EMERGENCY UNIT	AUTONOMY
LIGHTING FIXTURES FOR FLUORESCENT TUBE LAMPS							
EXL08	230 ÷ 240V AC	8 W	-	T6 - T5	T 85°C / T100°C	no	-
EXL08E-3	230 ÷ 240V AC	8 W	-	T6 - T5	T 85°C / T100°C	3,6V - 4A/h	3h
EXL08ESA-3	230 ÷ 240V AC	8 W	-	T6 - T5	T 85°C / T100°C	3,6V - 4A/h	3h
LIGHTING FIXTURES FOR HIGH EFFICIENCY LED LAMPS							
EXL08L	120 ÷ 240V AC	1W x 4	350	T6 - T5	T 85°C / T100°C	no	-
EXL08LE	100 ÷ 240V AC	1W x 4	350	T6 - T5	T 85°C / T100°C	6V - 4A/h	3h
EXL208L	120 ÷ 240V AC	(1W x 4) x 2	350	T6 - T5	T 85°C / T100°C	no	-
EXL08LE-SA	100 ÷ 240V AC	1W x 4	350	T6 - T5	T 85°C / T100°C	6V - 4A/h	3h

Technical features

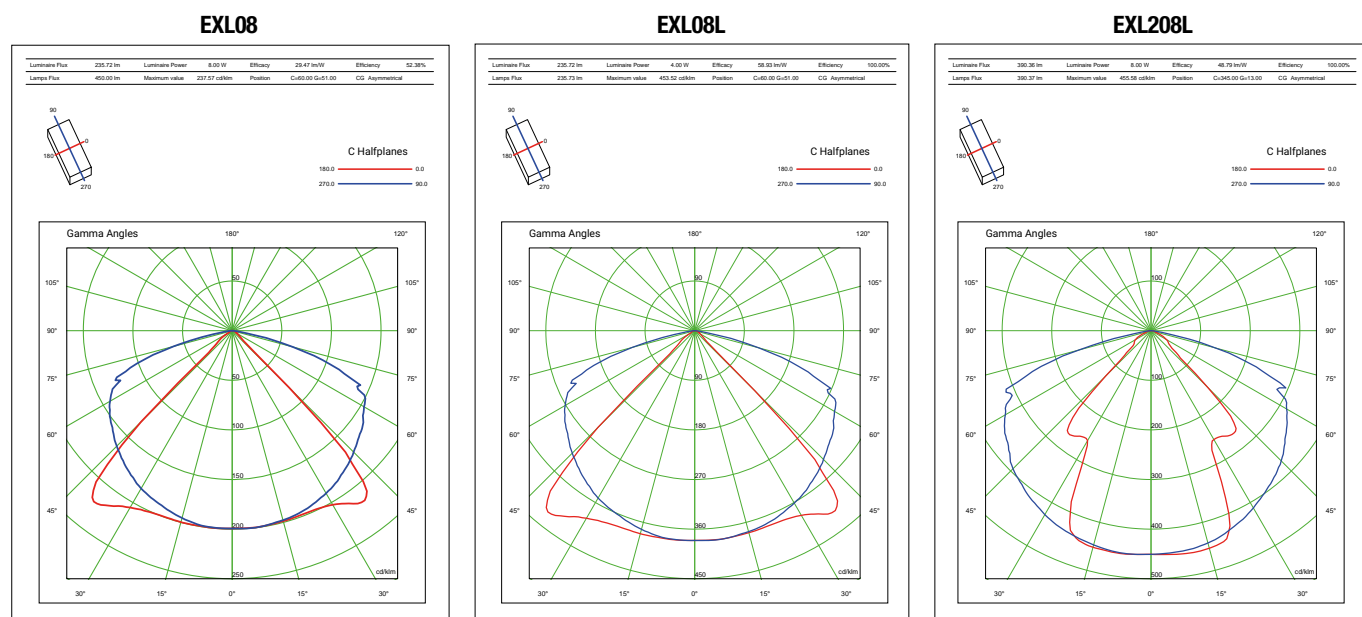
CODE	A [mm]	B [mm]	C [mm]	D [mm]	E [mm]	WIGHT [kg]	CABLE ENTRY	DETAIL
EXL08...	380	170	125	270	156	8,00	1 x 3/4"	A

Reference details



On request accessories

CODE	DESCRIPTION	MATERIAL
2070.00088	SELF-ADHESIVE GREEN "EXIT" LABEL	POLYESTER



REMARK:

Due to the development of the national and international specifications and of the technology, the above technical characteristics showed on this bulletin can be considered as binding on our confirmation only.



Installation: hazardous areas - Zone 1 / 2 (Gases) - Zone 21 / 22 (Dusts)

Classification: Group II - Category 2G 2D



REFERENCE STANDARDS

Directive 2014/34/EU

EXECUTION	<ul style="list-style-type: none"> ⊗ Ex db eb IIC T6 Gb ⊗ Ex db op is IIC T6 Gb (for PCB LED type only) ⊗ Ex db eb op is IIC T6 Gb (for PCB LED type only) ⊗ Ex tb IIIC T85°C Db ⊗ Ex op is tb IIIC T85°C Db (for PCB LED type only)
RULES OF COMPLIANCE	EN/IEC 60079-0; EN/IEC 60079-1; EN/IEC 60079-7; EN/IEC 60079-31;
EC Type-Examination Certificate	INERIS 12 ATEX 023X
PROTECTION DEGREE	IP66
AMBIENT TEMPERATURE	-20°C ÷ +60°C
OTHER AVAILABLE CERTIFICATES	IECEX: IECEX INE 13.0055X INMETRO: CEPEL 13.2291X EAC: TC-RU C-IT.Г Ё08.B.01342 (-45°C ÷ +60°C) RUSSIAN MARINE CERTIFICATE (RMRS): 19.02519.280

Electrical characteristics

Power supply (fluo)	electronic ballast: 230V÷240Vac 50/60Hz (cos ρ ≥ 0,98) 230V÷240Vdc
Power supply (led)	electronic ballast 100V/240V 50/60Hz (always on - maintained) electronic ballast 110V/240V 50/60Hz (network only - not maintained) electronic ballast 110V/240V 50/60Hz (only in emergency)
Lampholders	bi-in g5 cap (fluorescent lamp only)
Internal Wiring	high-temperature resistant silicon rubber insulation cables
Terminals	suitable up to 4sq/mm cables
Emergency Unit	emergency unit for maintained and not maintained (see technical data table)

Mechanical characteristics

Body	marine grade copper free aluminium
Diffuser	high-temperature resistant borosilicate glass
Painting	external epoxy powders grey ral-9006 colour
Screws	external stainless steel
Reflectors	white stove enamelled sheet steel
Cable entry	3/4" NPT size threaded (Ex-d) ISO-M25 size threaded (Ex-de)

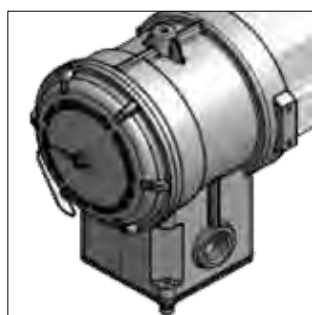
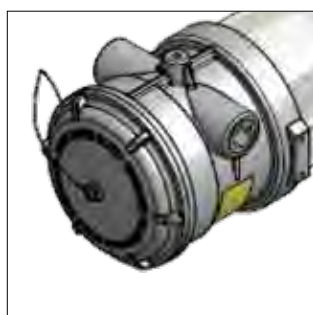
Functional characteristics

EVFG** *8 (Network only)	8W fluorescent lamp and electronic ballast 230V÷240Vac 50/60Hz 230V÷240Vdc
EVFG** *8ESA-3 (Always On - Maintained)	8W fluorescent lamp and electronic ballast 230V/240V AC
EVFG** *8E-3 (Emergency only - Not Maintained)	8W fluorescent lamp and electronic ballast 230V/240V AC
EVFG** *8L (Network only)	with high brightness LEDs (350mA - 4W) supply from 100V up to 240V AC
EVFG** *8LE-SA (Always On - Maintained)	with high brightness LEDs (350mA - 4W) supply from 110V up to 240V AC with charge status monitor LED system (GREEN: battery under charging)
EVFG** *8LE (Emergency only - Not maintained)	with high brightness LEDs (350mA - 4W) supply from 110V up to 240V AC with charge status monitor LED system (GREEN: battery under charging)

** : with "d" for Exd version (Ex. EVFGd *8) - without "d" for Exde version (Ex. EVFG *8) - * = 1 or 2 : with "1" = single lamp - with "2" = two lamps

On Request Accessories:

- External painting colour on request
- Electronic ballast with voltage supply different than standard
- Threaded cable entry different than standard
- Self-adhesive green label with EXIT sign (language on request)



Technical data

CODE	POWER SUPPLY	LAMP	mA (LED)	TEMPERATURE CLASS (GAS)	TEMPERATURE CLASS (DUSTS)	EMERGENCY UNIT	AUTONOMY
LIGHTING FIXTURES FOR FLUORESCENT TUBE LAMPS							
EVFG**18	230 ÷ 240V AC/DC	8 W x 1	-	T6	T 85°C	no	-
EVFG**18E-3	230 ÷ 240V AC	8 W x 1	-	T6	T 85°C	3,6V - 4A/h	3h
EVFG**18ESA-3	230 ÷ 240V AC	8 W x 1	-	T6	T 85°C	3,6V - 4A/h	3h
EVFG**28	230 ÷ 240V AC/DC	8 W x 2	-	T6	T 85°C	no	-
EVFG**28ESA-3	230 ÷ 240V AC	8 W x 2	-	T6	T 85°C	3,6V - 4A/h	3h

** : with "d" for Exd version (Ex. EVFGd18) - without "d" for Exde version (Ex. EVFG28)

LIGHTING FIXTURES FOR HIGH EFFICIENCY LED LAMPS							
EVFG**18L	100 ÷ 240V AC	1W x 4	350	T6	T 85°C	no	-
EVFG**18LE	110 ÷ 240V AC	1W x 4	350	T6	T 85°C	6V - 2,6A/h	3h
EVFG**18LE-SA	110 ÷ 240V AC	1W x 4	350	T6	T 85°C	6V - 2,6A/h	3h
EVFG**28L	100 ÷ 240V AC	(1W x 4) x 2	350	T6	T 85°C	no	-
EVFG**28LE-SA	110 ÷ 240V AC	(1W x 4) x 2	350	T6	T 85°C	6V - 2,6A/h	3h

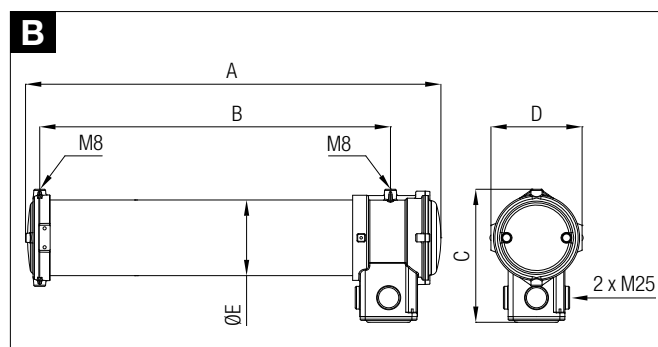
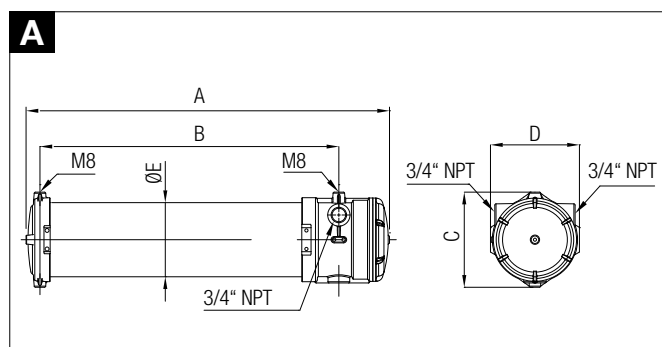
** : with "d" for Exd version (Ex. EVFGd18) - without "d" for Exde version (Ex. EVFG28)

Technical features

CODE	A [mm]	B [mm]	C [mm]	D [mm]	ØE [mm]	WEIGHT [Kg] **	CABLE ENTRY	DETAIL
EVFGd*8	495	390	154	145	120	3,50	2 x 3/4"	A
EVFGd*8E-3						4,50		
EVFG*8	495	390	218	145	120	4,00	2 x M25	B
EVFG*8E-3						5,00		

*= 1 or 2: with "1"= single lamp - with "2"= two lamps

Reference details



On request accessories

CODE	DESCRIPTION	MATERIAL
2070.00088	SELF-ADHESIVE GREEN "EXIT" LABEL	POLYESTER

REMARK:

Due to the development of the national and international specifications and of the technology, the above technical characteristics showed on this bulletin can be considered as binding on our confirmation only.



Installation: hazardous areas - Zone 1 / 2 (Gases)
Zone 21 / 22 (Dusts)

Classification: Group II - Category 2G 2D



REFERENCE STANDARDS

Directive 2014/34/EU

EXECUTION	⊗ II 2 G Ex d e q IIC T4 Gb ⊗ II 2 D Ex tb IIIC T80°C Db
RULES OF COMPLIANCE	EN/IEC 60079-0; EN/IEC 60079-1; EN/IEC 60079-5; EN/IEC 60079-7; EN/IEC 60079-31
EC Type-Examination Certificate	LCIE 12 ATEX 3050X
PROTECTION DEGREE	IP66
AMBIENT TEMPERATURE	-20°C ÷ +60°C
OTHER AVAILABLE CERTIFICATES	IECEX: IECEX LCIE 12.0019X INMETRO: CEPPEL 15.2405X EAC: TC RU C-IT.BH02.B.00602 (-40°C ÷ +60°C) RUSSIAN MARINE CERTIFICATE (RMRS): 19.02519.280

Mechanical characteristics

Body	glass fibre reinforced polyester resin self-extinguishing acc. to UL94
Diffuser	U/V resistant polycarbonate - hinged to body
Safety closing	operated by hexagonal key
Gaskets	EPDM 60 rubber suitable for high temperatures and resistant to environments conditions
Internal reflector	white stove enamelled sheet aluminum
Cable entry	1 PCE M25 cable gland and 3 M25 plugs

Electrical characteristics

Power supply	electronic ballast 96...254V AC 50/60Hz (cos ρ ≥ 0,95) / 96 130V DC
Lampholders	bi-pin G13 cap
Internal wiring	high-temperature resistant silicon rubber insulation cables
Terminals	with protections against over charge and over discharge



On Request Accessories:

- Pole mounting kit complete with stainless steel hardware
- Ceiling mounting kit complete with stainless steel hardware
- Pendant mounting kit complete with stainless steel hardware
- Wall/Structure mounting kit complete with stainless steel hardware
- Electronic ballast with voltage supply different than standard
- Voltage different than standard

Technical data

CODE	LAMP	TEMPERATURE CLASS (GAS)	TEMPERATURE CLASS (DUSTS)	LAMPHOLDER	ENTRY	EMERGENCY UNIT	AUTONOMY	DETAIL
FLUORESCENT LIGHTING FIXTURES FOR SINGLE AND TWIN LAMPS - POWER SUPPLY 96...254V AC 50/60Hz								
AVC218	2 x 18W	T4	T 80°C	G13	4 x ISO-M25	-	-	A
AVC236	2 x 36W	T4	T 80°C	G13	4 x ISO-M25	-	-	A

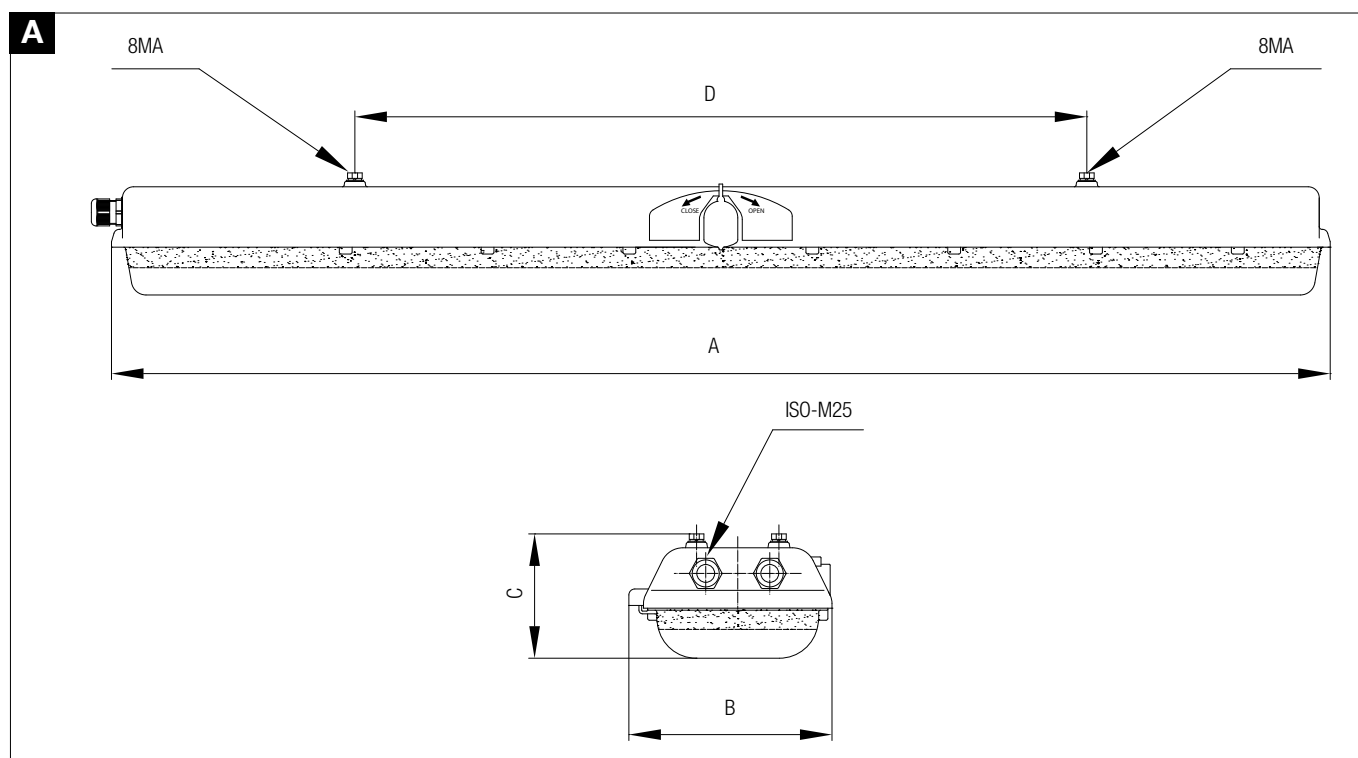
EMERGENCY FLUORESCENT LIGHTING FIXTURES FOR SINGLE AND TWIN LAMPS - POWER SUPPLY 230/240V AC 50/60Hz								
AVCE218	2 x 18W	T4	T 80°C	G13	4 x ISO-M25	7.2 V - 6Ah	120 min	A
AVCE236	2 x 36W	T4	T 80°C	G13	4 x ISO-M25	7.2 V - 6Ah	120 min	A

Technical features

CODE	A [mm]	B [mm]	C [mm]	D [mm]	WIGHT [Kg]	CABLE ENTRY	DETAIL
AVC218	705	222	134	450	8	4 x ISO-M25	A
AVC236	1335	222	134	800	12	4 x ISO-M25	A

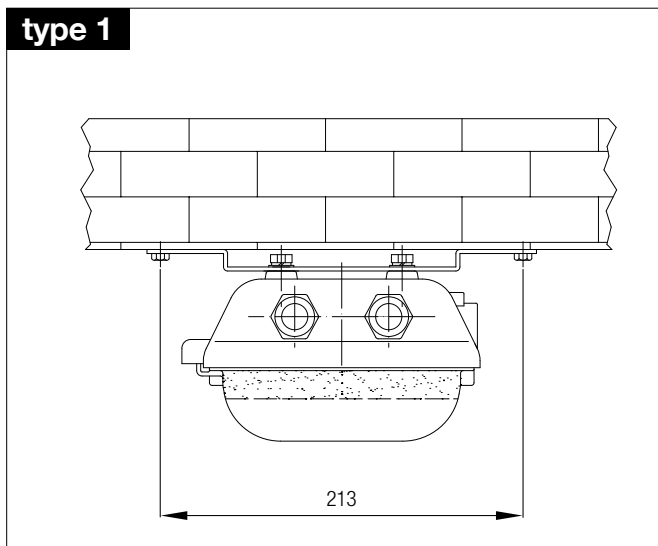
CODE	A [mm]	B [mm]	C [mm]	D [mm]	WIGHT [Kg]	CABLE ENTRY	DETAIL
AVCE218	705	222	134	450	9,5	4 x ISO-M25	A
AVCE236	1335	222	134	800	13,5	4 x ISO-M25	A

Reference details



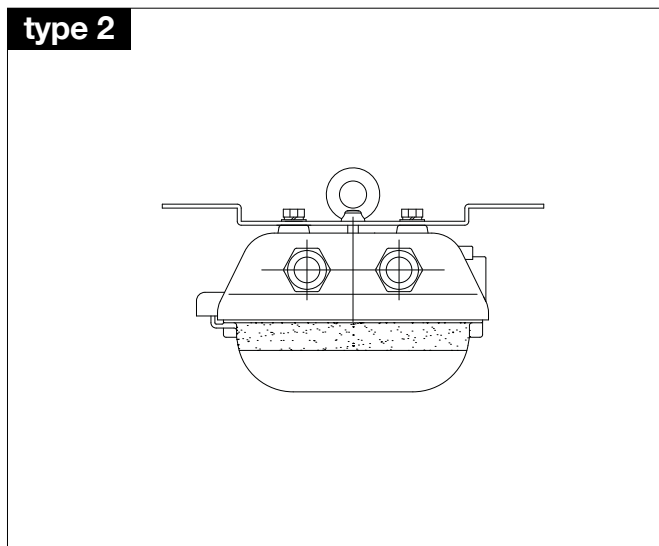
Ceiling mounting

type 1



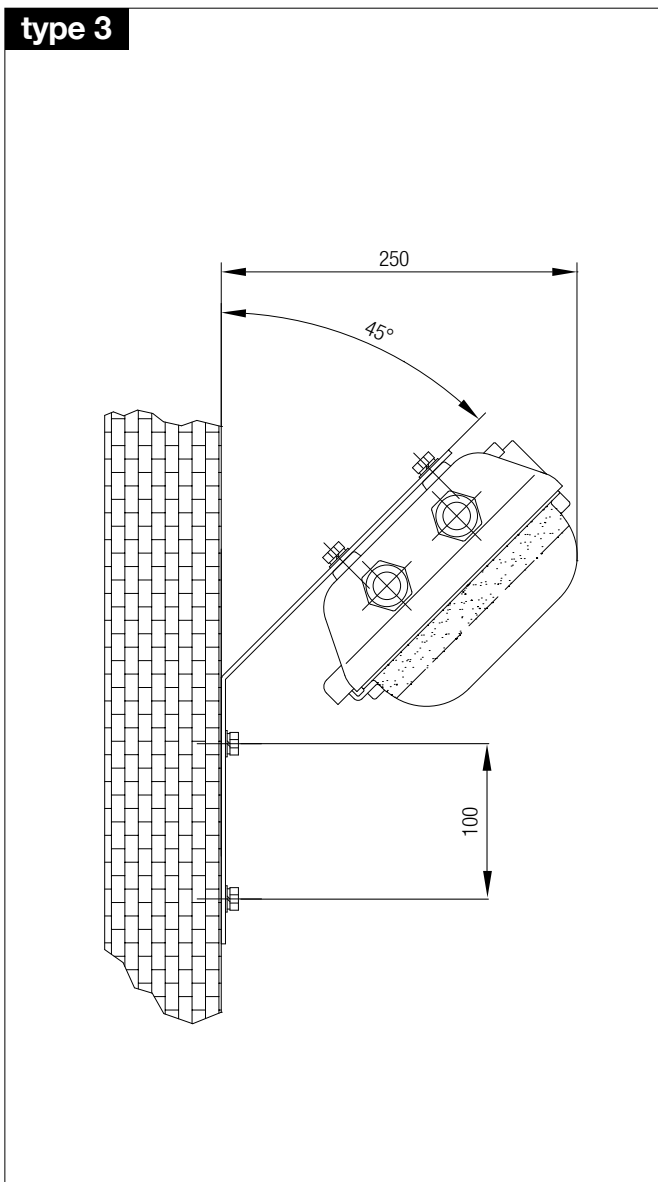
Pendant mounting

type 2



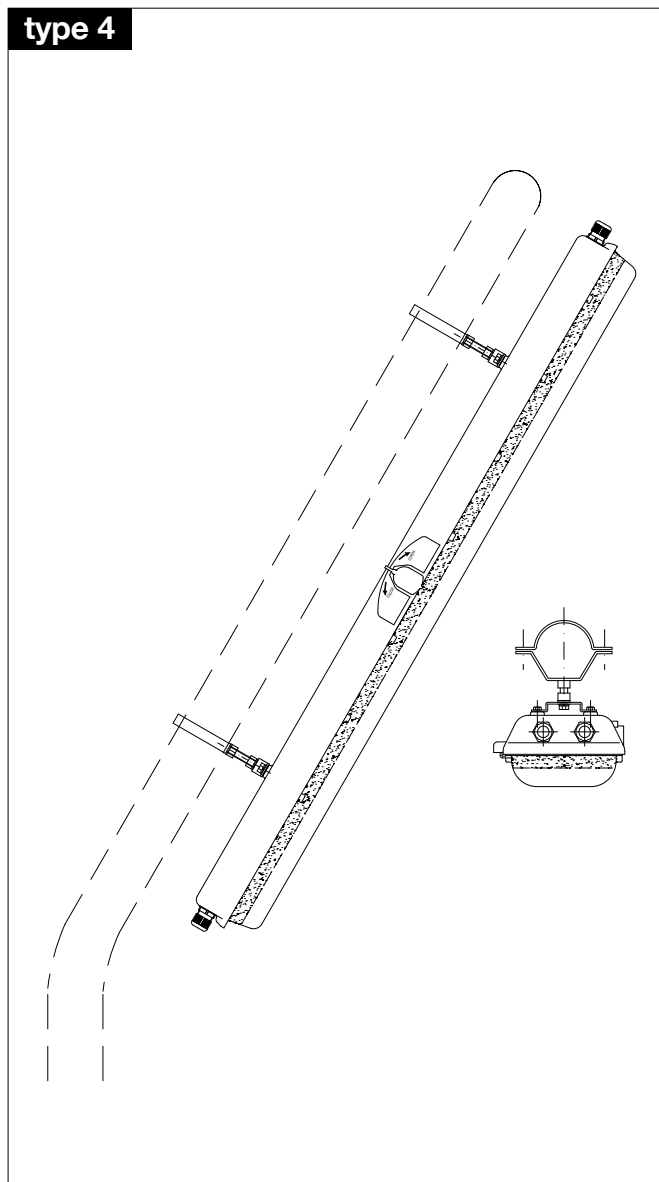
Wall/structure mounting

type 3

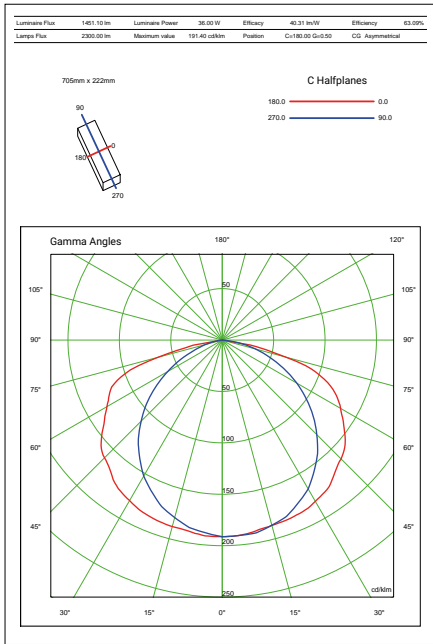


Pole mounting
Assemblig detail with pole (typical)

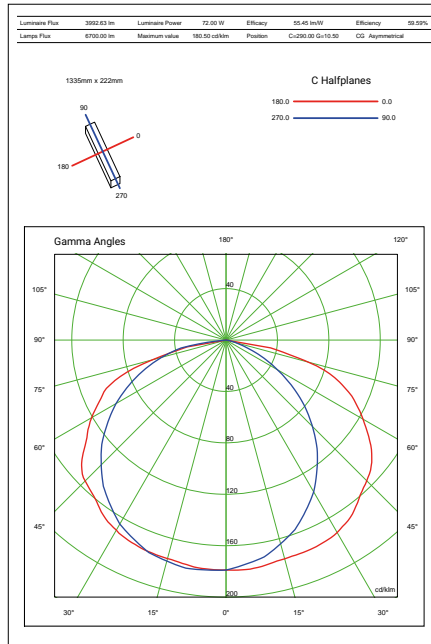
type 4



AVC218



AVC236



On request accessories

CODE	DESCRIPTION	INSTALLATION	MATERIAL
20302.0142	CEILING MOUNTING KIT C/W HARDWARE	TYPE 1	STAINLESS STEEL
20302.0103	EYE-BOLTS MOUNTING KIT C/W HARDWARE	TYPE 2	GALVANIZED STEEL
20302.0140	WALL MOUNTING KIT C/W HARDWARE	TYPE 3	GALVANIZED STEEL
20301.0162	POLE MOUNTING KIT Ø2" C/W HARDWARE	TYPE 4	GALVANIZED STEEL
20301.0163	POLE MOUNTING KIT Ø1-1/2" C/W HARDWARE	TYPE 4	GALVANIZED STEEL

REMARK:

Due to the development of the national and international specifications and of the technology, the above technical characteristics showed on this bulletin can be considered as binding on our confirmation only.



Installation: hazardous areas - Zone 1 / 2 (Gases)
Zone 21 / 22 (Dusts)

Classification: Group II - Category 2G 2D



REFERENCE STANDARDS

Directive 2014/34/EU

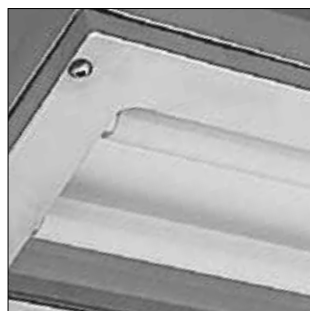
EXECUTION	⊗ II 2 G Ex e q IIC T4 Gb ⊗ II 2 D Ex tb IIIC T80°C Db
RULES OF COMPLIANCE	EN/IEC 60079-0; EN/IEC 60079-5; EN/IEC 60079-7; EN/IEC 60079-31
EC Type-Examination Certificate	LCIE 13 ATEX 3052
PROTECTION DEGREE	IP65
AMBIENT TEMPERATURE	-20°C ÷ +60°C
OTHER AVAILABLE CERTIFICATES	IECEX: IECEX LCIE 13.0036 EAC: TC RU C-IT.BH02.B.00602 (-40°C ÷ +60°C)

Mechanical characteristics

Body	stainless steel AISI-316L - thickness 1,5mm
Diffuser	high-temperature resistant borosilicate glass
Safety closing	by screw stainless steel AISI-316L
Gaskets	silicon rubber
Internal reflector	white stove enamelled aluminium
Cable entry	2 x Ø20,5mm clearance hole (2 x Ø25,5mm clearance hole - on demand)

Electrical characteristics

Power supply	electronic ballast 96...254V AC 50/60Hz (cos p ≥ 0,95) / 96...130V DC
Lampholders	bi-pin G13 cap
Internal wiring	high-temperature resistant silicon rubber insulation cables
Terminals	suitable up to 4sq/mm cables
Safety feature	with protections against over charge and over discharge



On Request Accessories:

- Pole mounting kit complete with stainless steel hardware
- Ceiling mounting kit complete with stainless steel hardware
- Pendant mounting kit complete with stainless steel hardware
- Wall/Structure mounting kit complete with stainless steel hardware
- Electronic ballast with voltage supply different than standard
- Voltage different than standard

Technical data

CODE	LAMP	TEMPERATURE CLASS (GAS)	TEMPERATURE CLASS (DUSTS)	LAMPHOLDER	ENTRY	EMERGENCY UNIT	AUTONOMY	DETAIL
FLUORESCENT LIGHTING FIXTURES FOR SINGLE AND TWIN LAMPS - POWER SUPPLY 96...254V AC 50/60Hz								
AVC-XG-118	1 x 18W	T4	T 80°C	G13	2 x Ø20,5	-	-	A
AVC-XG-136	1 x 36W	T4	T 80°C	G13	2 x Ø20,5	-	-	A
AVC-XG-218	2 x 18W	T4	T 80°C	G13	2 x Ø20,5	-	-	A
AVC-XG-236	2 x 36W	T4	T 80°C	G13	2 x Ø20,5	-	-	A

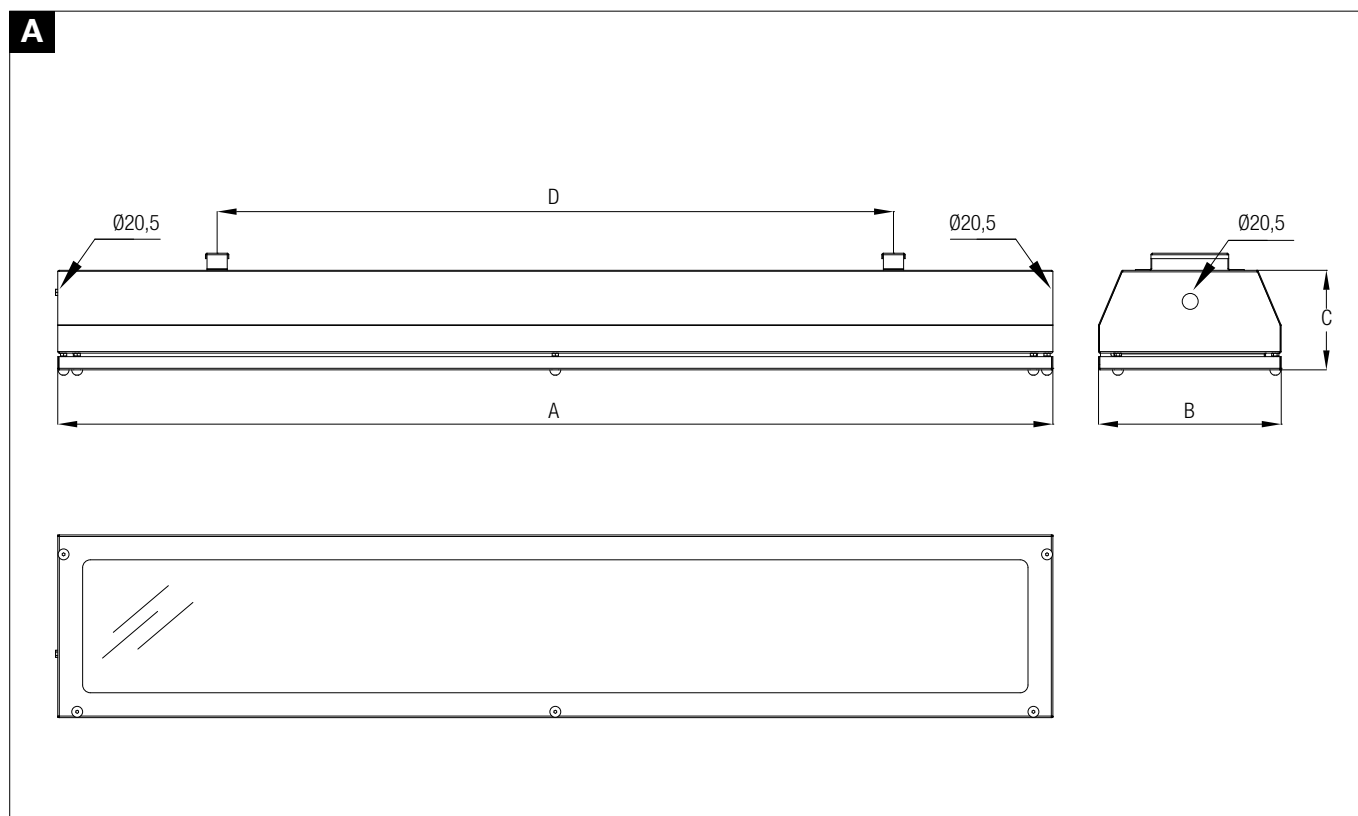
EMERGENCY FLUORESCENT LIGHTING FIXTURES FOR SINGLE AND TWIN LAMPS - POWER SUPPLY 230/240V AC 50/60Hz								
AVCE-XG-118	1 x 18W	T4	T 80°C	G13	2 x Ø20,5	7.2 V - 6Ah	120 min	A
AVCE-XG-136	1 x 36W	T4	T 80°C	G13	2 x Ø20,5	7.2 V - 6Ah	120 min	A
AVCE-XG-218	2 x 18W	T4	T 80°C	G13	2 x Ø20,5	7.2 V - 6Ah	120 min	A
AVCE-XG-236	2 x 36W	T4	T 80°C	G13	2 x Ø20,5	7.2 V - 6Ah	120 min	A

Technical features

CODE	A [mm]	B [mm]	C [mm]	D [mm]	WIGHT [Kg]	WIGHT [Kg] WITH EMERG.	CABLE ENTRY	DETAIL
AVC*-XG-118	670	235	128	400	8	9	2 x Ø20,5	A
AVC*-XG-136	1280	235	128	870	15	16	2 x Ø20,5	A
AVC*-XG-218	705	235	128	400	8	9	2 x Ø20,5	A
AVC*-XG-236	1280	235	128	870	15	16	2 x Ø20,5	A

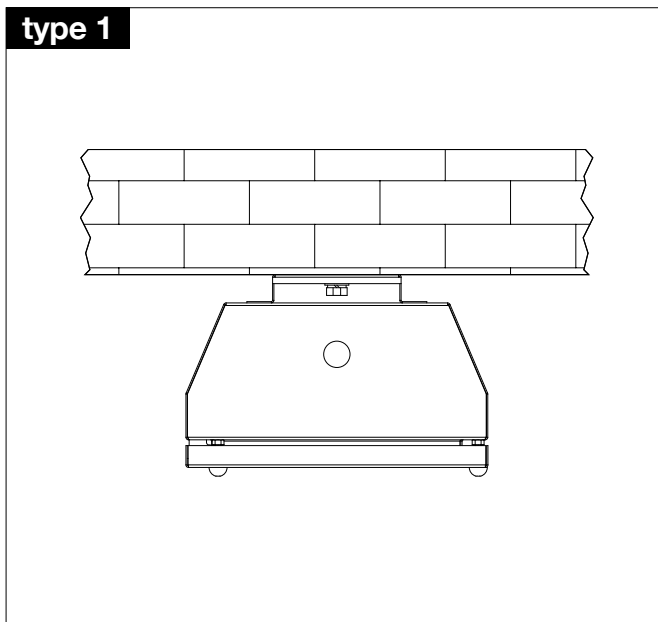
*E: with emergency battery pack

Reference details



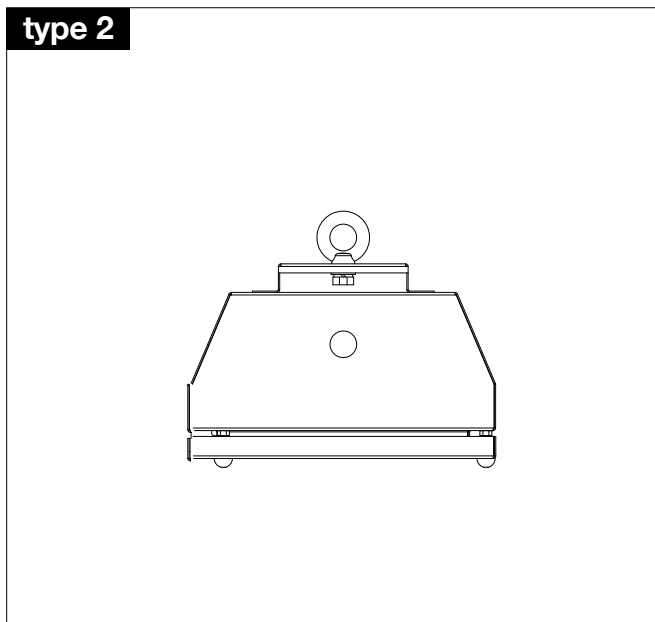
Ceiling mounting

type 1



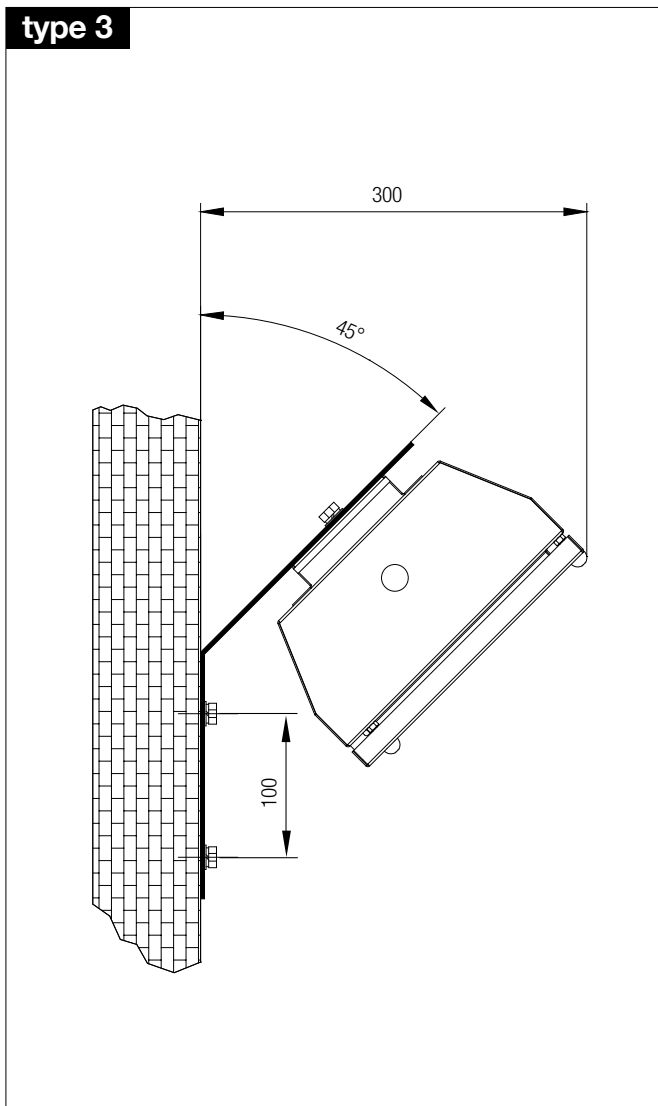
Pendant mounting

type 2



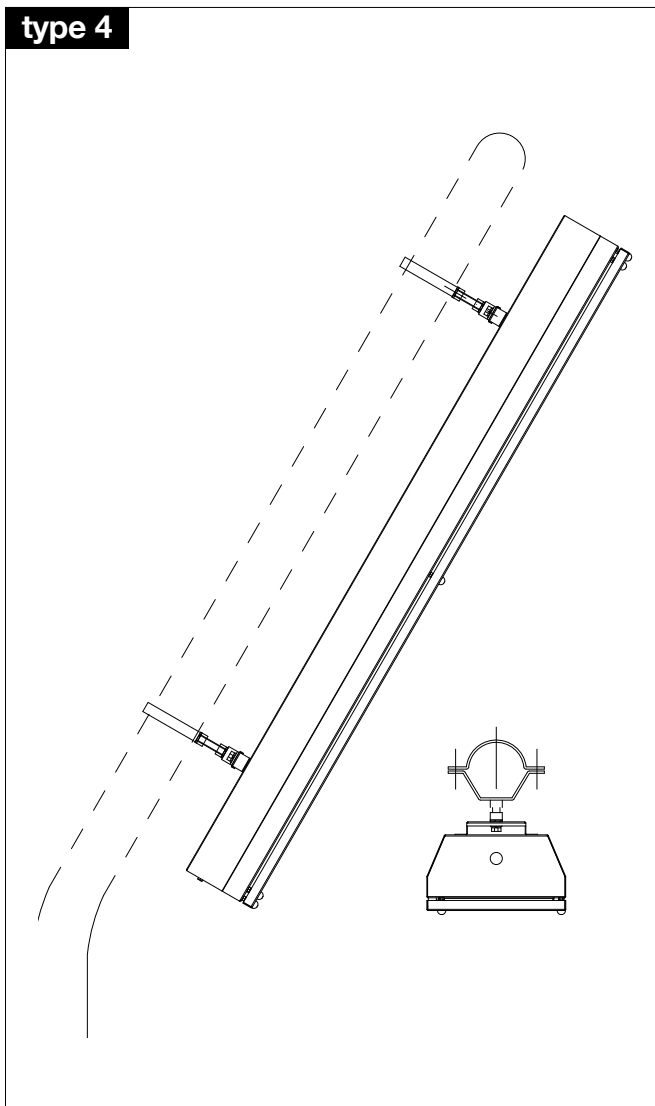
Wall/structure mounting

type 3

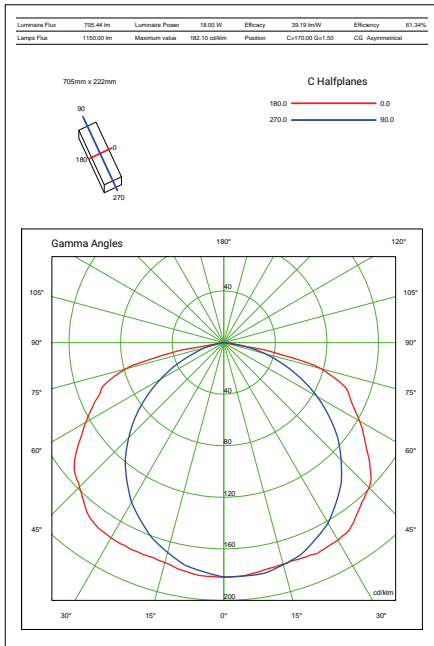


Pole mounting
Assemblig detail with pole (typical)

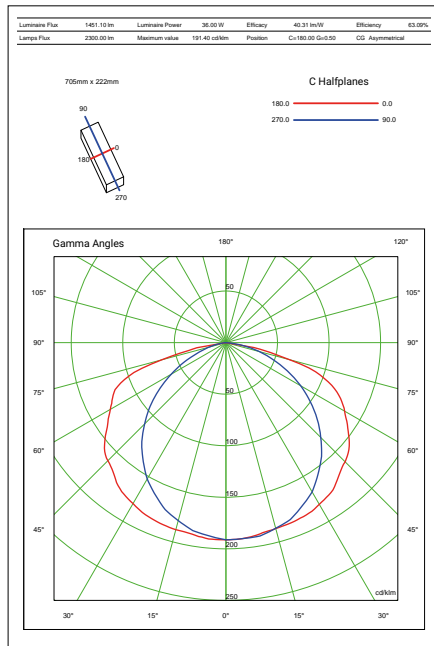
type 4



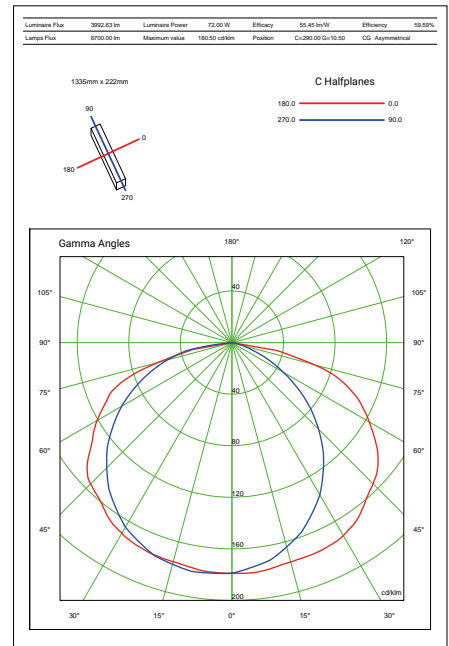
AVC-XG-118



AVC-XG-218



AVC-XG-236



On request accessories

CODE	DESCRIPTION	INSTALLATION	MATERIAL
20302.0121	CEILING MOUNTING KIT C/W HARDWARE	TYPE 1	STAINLESS STEEL
20302.0103	EYE-BOLTS MOUNTING KIT C/W HARDWARE	TYPE 2	GALVANIZED STEEL
20302.0140	WALL MOUNTING KIT C/W HARDWARE	TYPE 3	GALVANIZED STEEL
20301.0162	POLE MOUNTING KIT Ø2" C/W HARDWARE	TYPE 4	GALVANIZED STEEL
20301.0163	POLE MOUNTING KIT Ø1-1/2" C/W HARDWARE	TYPE 4	GALVANIZED STEEL

REMARK:

Due to the development of the national and international specifications and of the technology, the above technical characteristics showed on this bulletin can be considered as binding on our confirmation only.



Installation: hazardous areas - Zone 2 (Gases) - Zone 22 (Dusts)

Classification: Group II - Category 3G 3D



REFERENCE STANDARDS

Directive 2014/34/EU

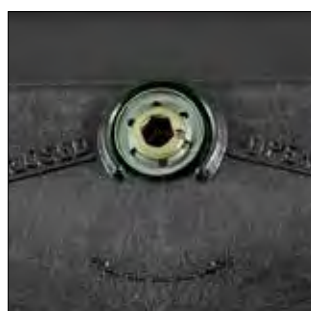
EXECUTION	<ul style="list-style-type: none"> ⊕ II 3 G Ex nA IIC T6/T5/T4 Gc ⊕ II 3 D Ex tc IIIC T85°C/T100°C/T135°C Dc
RULES OF COMPLIANCE	EN 60079-0; EN 60079-15; EN 60079-31
EC Type-Examination Certificate	in progress
PROTECTION DEGREE	IP66
AMBIENT TEMPERATURE	-20°C ÷ +60°C
OTHER AVAILABLE CERTIFICATES	EAC: TC RU C-IT.BH02.B.00602 (-40°C ÷ +60°C) RUSSIAN MARINE CERTIFICATE (RMRS): 19.02519.280

Mechanical characteristics

Body	glass fibre reinforced polyester resin self-extinguishing acc. to UL94
Diffuser	U/V resistant polycarbonate - hinged to body
Safety closing	operated by hexagonal key
Gaskets	EPDM 60 rubber suitable for high temperatures and resistant to environments conditions
Internal reflector	white stove enamelled sheet aluminum
Cable entry	ISO-Metric complete with 2 PVC cable gland + 2 PVC stopping plug

Electrical characteristics

Power supply	dual channel electronic ballast: - 110÷240Vac - 50/60 Hz (cos ρ ≥ 0,98) - 110÷240Vdc
Emergency unit	emergency unit with autonomy from 180 min. (inverter) 220÷240V 50/60Hz
Lampholders	bi-pin G13 cap
Terminals	suitable up to 4 sq/mm cables



On Request Accessories:

- Pole mounting kit complete with stainless steel hardware
- Ceiling mounting kit complete with stainless steel hardware
- Pendant mounting kit complete with stainless steel hardware
- Wall/Structure mounting kit complete with stainless steel hardware
- Electronic ballast with voltage supply different than standard
- Ex-de safety switch
- Up to 4 cable entries

Technical data

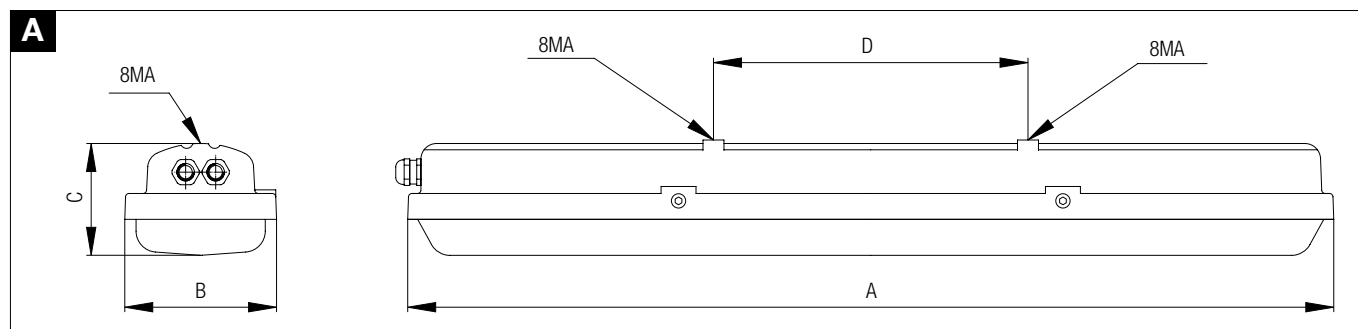
CODE	LAMP	TEMPERATURE CLASS (GAS)	TEMPERATURE CLASS (DUSTS)	LAMPHOLDER	ENTRY	EMERGENCY UNIT	AUTONOMY	DETAIL
FLUORESCENT LIGHTING FIXTURES FOR SINGLE AND TWIN LAMPS - POWER SUPPLY (110÷240Vac - 50/60 Hz) - (110÷240Vdc)								
ZFL-118	1 x 18W	T6 (AT = 40°C)	T 85°C	G13	4 x M20	-	-	A
		T5 (AT = 50°C)	T 100°C					
		T4 (AT = 60°C)	T 135°C					
ZFL-136	1 x 36W	T6 (AT = 40°C)	T 85°C	G13	4 x M20	-	-	A
		T5 (AT = 50°C)	T 100°C					
		T4 (AT = 60°C)	T 135°C					
ZFL-218	2 x 18W	T6 (AT = 40°C)	T 85°C	G13	4 x M20	-	-	A
		T5 (AT = 50°C)	T 100°C					
		T4 (AT = 60°C)	T 135°C					
ZFL-236	2 x 36W	T6 (AT = 40°C)	T 85°C	G13	4 x M20	-	-	A
		T5 (AT = 50°C)	T 100°C					
		T4 (AT = 60°C)	T 135°C					

EMERGENCY FLUORESCENT LIGHTING FIXTURES FOR SINGLE AND TWIN LAMPS - POWER SUPPLY (inverter) 220÷240V - 50/60Hz								
ZFLE-118	1 x 18W	T6 (AT = 40°C)	T 85°C	G13	4 x M20	4,8V - 4Ah	180 min.	A
		T5 (AT = 50°C)	T 100°C					
		T4 (AT = 60°C)	T 135°C					
ZFLE-136	1 x 36W	T6 (AT = 40°C)	T 85°C	G13	4 x M20	4,8V - 4Ah	180 min.	A
		T5 (AT = 50°C)	T 100°C					
		T4 (AT = 60°C)	T 135°C					
ZFLE-218	2 x 18W	T6 (AT = 40°C)	T 85°C	G13	4 x M20	4,8V - 4Ah	180 min.	A
		T5 (AT = 50°C)	T 100°C					
		T4 (AT = 60°C)	T 135°C					
ZFLE-236	2 x 36W	T6 (AT = 40°C)	T 85°C	G13	4 x M20	4,8V - 4Ah	180 min.	A
		T5 (AT = 50°C)	T 100°C					
		T4 (AT = 60°C)	T 135°C					

Technical features

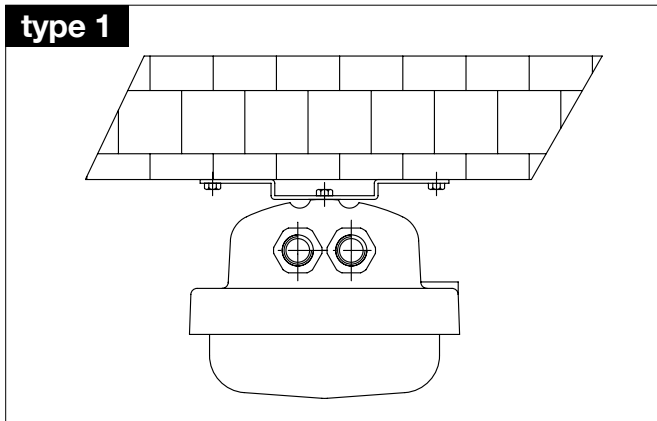
CODE	A [mm]	B [mm]	C [mm]	D [mm]	WIGHT [Kg]	CABLE ENTRY	DETAIL
ZFL-118	730	215	160	400	6,00	4 x M20	A
ZFL-136	1340	215	160	450	6,50	4 x M20	A
ZFL-218	730	215	160	400	7,00	4 x M20	A
ZFL-236	1340	215	160	450	7,50	4 x M20	A
ZFLE-118	730	215	160	400	11,00	4 x M20	A
ZFLE-136	1340	215	160	450	11,50	4 x M20	A
ZFLE-218	730	215	160	400	12,00	4 x M20	A
ZFLE-236	1340	215	160	450	12,50	4 x M20	A

Reference details



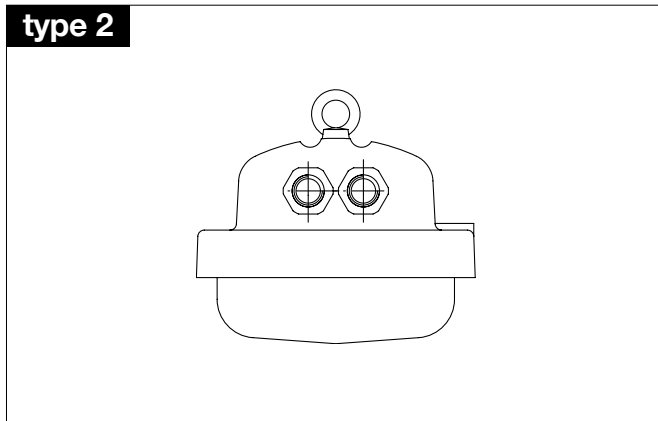
Ceiling mounting

type 1



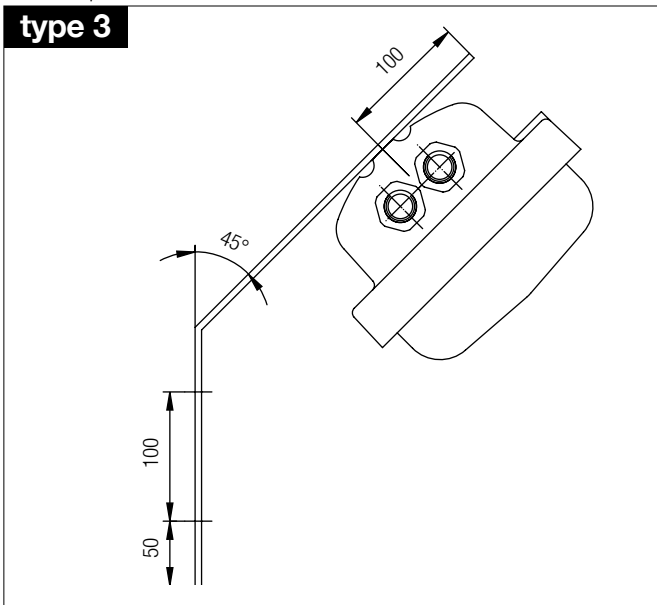
Pendant mounting

type 2



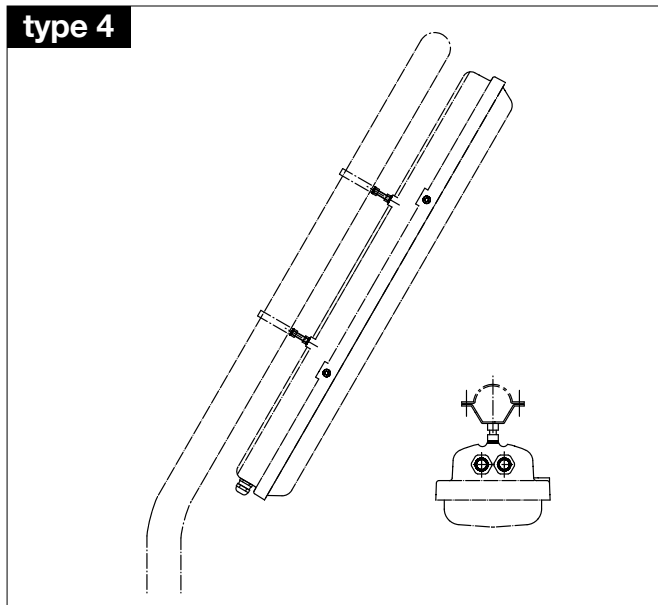
Wall/structure mounting

type 3



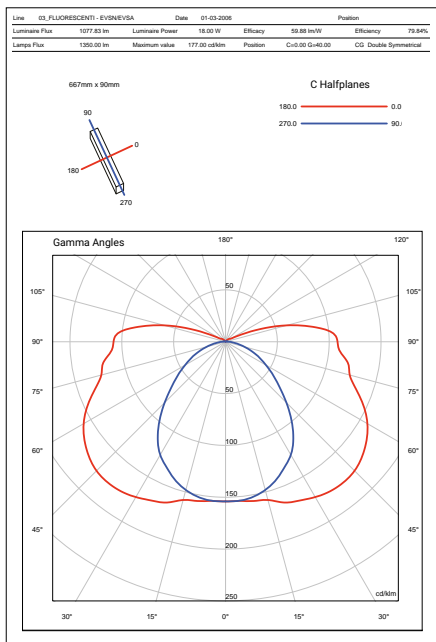
Pole mounting. Assembling detail with pole (typical)

type 4

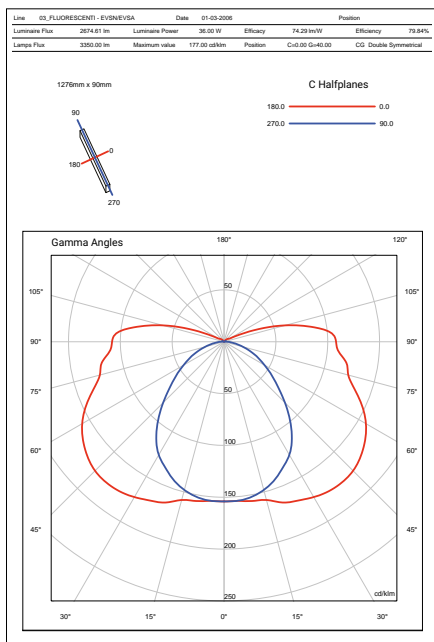


ZFL Polar diagrams – photometric data

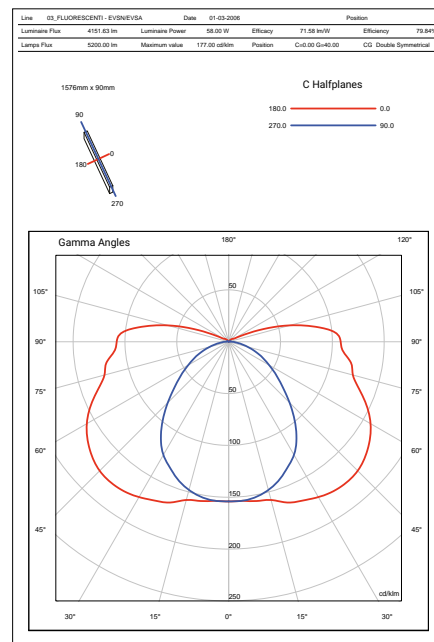
ZFL-218



ZFL-136



ZFL-236



On request accessories

CODE	DESCRIPTION	INSTALLATION	MATERIAL
20302.0121	CEILING MOUNTING KIT C/W HARDWARE	TYPE 1	GALVANIZED STEEL
20301.0165	PENDANT MOUNTING KIT C/W HARDWARE AND EYE-BOLTS	TYPE 2	STAINLESS STEEL
20302.0128	WALL/STRUCTURE MOUNTING KIT C/W HARDWARE	TYPE 3	GALVANIZED STEEL
20301.0163	POLE MOUNTING KIT (SIZE 1 1/2" DIA.) C/W HARDWARE	TYPE 4	STAINLESS STEEL
20301.0162	POLE MOUNTING KIT (SIZE 2" DIA.) C/W HARDWARE	TYPE 4	STAINLESS STEEL
20301.0161	POLE MOUNTING KIT (SIZE 1" DIA.) C/W HARDWARE	TYPE 4	STAINLESS STEEL

REMARK:

Due to the development of the national and international specifications and of the technology, the above technical characteristics showed on this bulletin can be considered as binding on our confirmation only.



Installation: hazardous areas - Zone 2 (Gases) - Zone 22 (Dusts)
Classification: Group II - Category 3G 3D



REFERENCE STANDARDS

Directive 2014/34/EU

EXECUTION	⊗ II 3 G Ex nA IIC T6/T5/T4 Gc ⊗ II 3 D Ex tc IIIC T85°C/T100°C/T135°C Dc
RULES OF COMPLIANCE	EN 60079-0; EN 60079-15; EN 60079-31
EC Type-Examination Certificate	IMQ 08 ATEX 008X
PROTECTION DEGREE	IP65
AMBIENT TEMPERATURE	-20°C ÷ +60°C
OTHER AVAILABLE CERTIFICATES	EAC: TC RU C-IT.BH02.B.00602 (-40°C ÷ +60°C) RUSSIAN MARINE CERTIFICATE (RMRS): 19.02519.280

Mechanical characteristics

Body	glass fibre reinforced polyester resin
Diffuser	U/V resistant polycarbonate - hinged to body
Safety closing	stainless steel hooks with safety device
Gaskets	EPDM 60 rubber suitable for high temperatures and resistant to environments conditions
Internal reflector	white stove enamelled sheet steel
Cable entry	complete with 1 PVC cable gland + 1 PVC stopping plug

Electrical characteristics

Power supply	dual channel electronic ballast: - 110÷240Vac - 50/60 Hz (cos ρ ≥ 0,98) - 110÷240Vdc
Emergency unit	emergency unit with autonomy from 120 min. - (inverter) 220÷240V 50/60Hz
Lampholders	bi-pin G13 cap
Terminals	suitable up to 6 sq/mm cables

(*) The lighting fittings must be used appropriately without changing the mechanical and protection features, and must not be installed on surfaces subject to strong vibrations, outdoor on cables or poles. Direct exposure to sunlight could compromise the mechanical protection degree.



On Request Accessories:

- Pole mounting kit complete with stainless steel hardware
- Ceiling mounting kit complete with stainless steel hardware
- Pendant mounting kit complete with stainless steel hardware
- Wall/Structure mounting kit complete with stainless steel hardware
- Electronic ballast with voltage supply different than standard
- Ex-de safety switch
- AUTOTEST electronic system for emergency unit
- Up to 4 cable entries

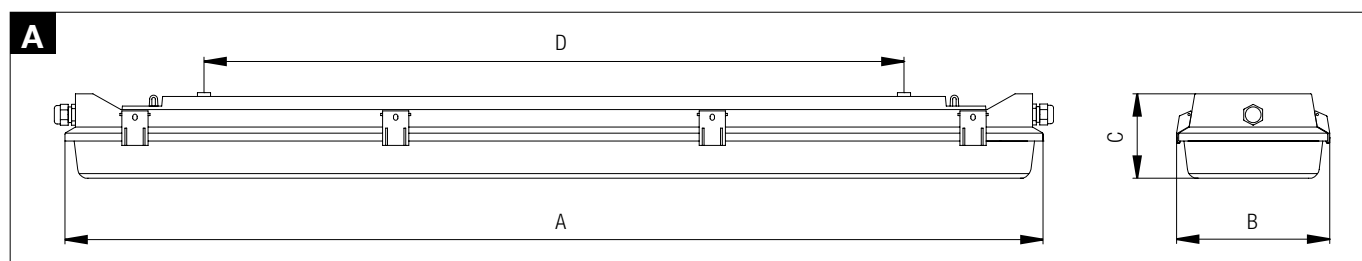
Technical data

CODE	LAMP	TEMPERATURE CLASS (GAS)	TEMPERATURE CLASS (DUSTS)	LAMPHOLDER	CABLE ENTRY WITH CABLE GLAND	EMERGENCY UNIT	AUTONOMY	DETAIL
FLUORESCENT LIGHTING FIXTURES FOR SINGLE AND TWIN LAMPS - POWER SUPPLY (110÷240Vac - 50/60 Hz) - (110÷240Vdc)								
EVSN118EL	1 x 18W	T6 (AT = 40°C)	T 85°C	G13	2 x M20	-	-	A
		T5 (AT = 50°C)	T100°C					
		T4 (AT = 60°C)	T135°C					
EVSN136EL	1 x 36W	T6 (AT = 40°C)	T 85°C	G13	2 x M20	-	-	A
		T5 (AT = 50°C)	T100°C					
		T4 (AT = 60°C)	T135°C					
EVSN158EL	1 x 58W	T5 (AT = 60°C)	T100°C	G13	2 x M20	-	-	A
EVSN218EL	2 x 18W	T6 (AT = 40°C)	T 85°C	G13	2 x M20	-	-	A
		T5 (AT = 50°C)	T100°C					
		T4 (AT = 60°C)	T135°C					
EVSN236EL	2 x 36W	T6 (AT = 40°C)	T 85°C	G13	2 x M20	-	-	A
		T5 (AT = 50°C)	T100°C					
		T4 (AT = 60°C)	T135°C					
EVSN258EL	2 x 58W	T5 (AT = 60°C)	T100°C	G13	2 x M20	-	-	A
EMERGENCY FLUORESCENT LIGHTING FIXTURES FOR SINGLE AND TWIN LAMPS - POWER SUPPLY (inverter) 220÷240V - 50/60Hz								
EVSNE118EL	1 x 18W	T6 (AT = 40°C)	T 85°C	G13	2 x M20	4,8V - 4Ah	120 min.	A
		T5 (AT = 50°C)	T100°C					
		T4 (AT = 60°C)	T135°C					
EVSNE136EL	1 x 36W	T6 (AT = 40°C)	T 85°C	G13	2 x M20	4,8V - 4Ah	120 min.	A
		T5 (AT = 50°C)	T100°C					
		T4 (AT = 60°C)	T135°C					
EVSN158EL	1 x 58W	T5 (AT = 60°C)	T100°C	G13	2 x M20	4,8V - 4Ah	120 min.	A
EVSNE218EL	2 x 18W	T6 (AT = 40°C)	T 85°C	G13	2 x M20	4,8V - 4Ah	120 min.	A
		T5 (AT = 50°C)	T100°C					
		T4 (AT = 60°C)	T135°C					
EVSNE236EL	2 x 36W	T6 (AT = 40°C)	T 85°C	G13	2 x M20	4,8V - 4Ah	120 min.	A
		T5 (AT = 50°C)	T100°C					
		T4 (AT = 60°C)	T135°C					
EVSN258EL	2 x 58W	T5 (AT = 60°C)	T100°C	G13	2 x M20	4,8V - 4Ah	120 min.	A

Technical features

CODE	A [mm]	B [mm]	C [mm]	D [mm]	WIGHT [Kg]	CABLE ENTRY	DETAIL
EVSN118EL	667	90	98	382	1,75	2 x M20	A
EVSN136EL	1276	90	98	735	2,45	2 x M20	A
EVSN158EL	1576	90	98	1035	2,65	2 x M20	A
EVSN218EL	667	155	102	406	2,1	2 x M20	A
EVSN236EL	1276	155	102	735	3,9	2 x M20	A
EVSN258EL	1576	155	102	1006	4	2 x M20	A

Reference details





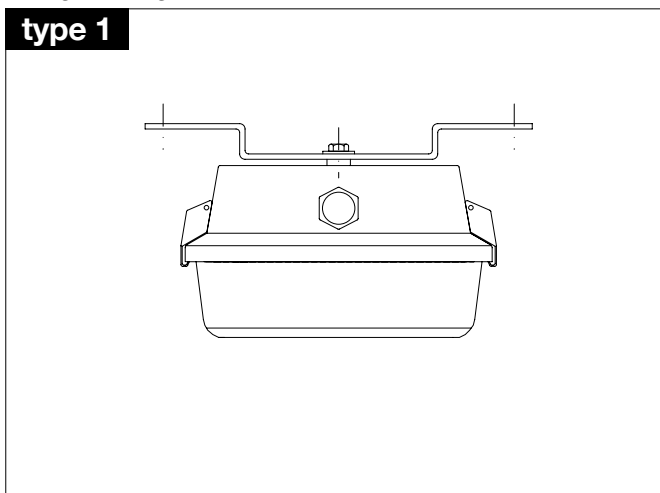
Reference details

CODE	A [mm]	B [mm]	C [mm]	D [mm]	WIGHT [Kg]	CABLE ENTRY	DETAIL
EVSNE118EL	667	90	98	382	3	2 x M20	A
EVSNE136EL	1276	90	98	735	3,7	2 x M20	A
EVSNE158EL	1576	90	98	1035	4,35	2 x M20	A
EVSNE218EL	667	155	102	406	3,35	2 x M20	A
EVSNE236EL	1276	155	102	735	5,15	2 x M20	A
EVSNE258EL	1576	155	102	1006	6,45	2 x M20	A

EVSN Installation and mounting details

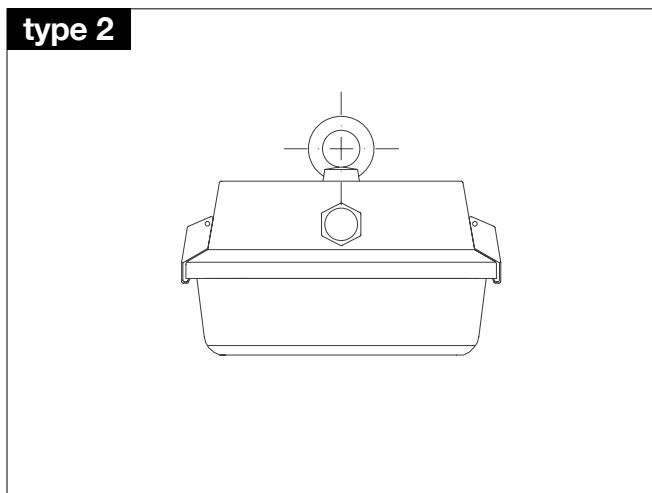
Ceiling mounting

type 1



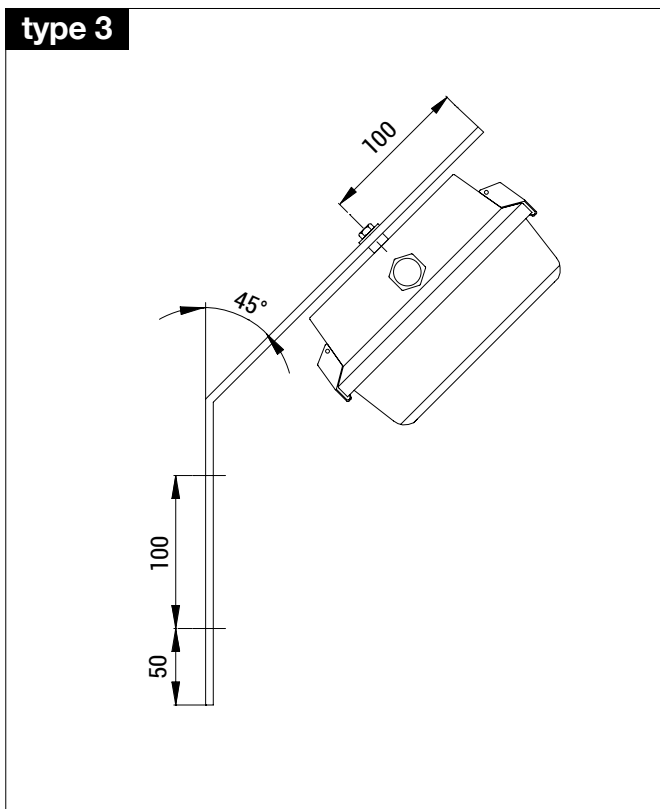
Pendant mounting

type 2



Wall/structure mounting

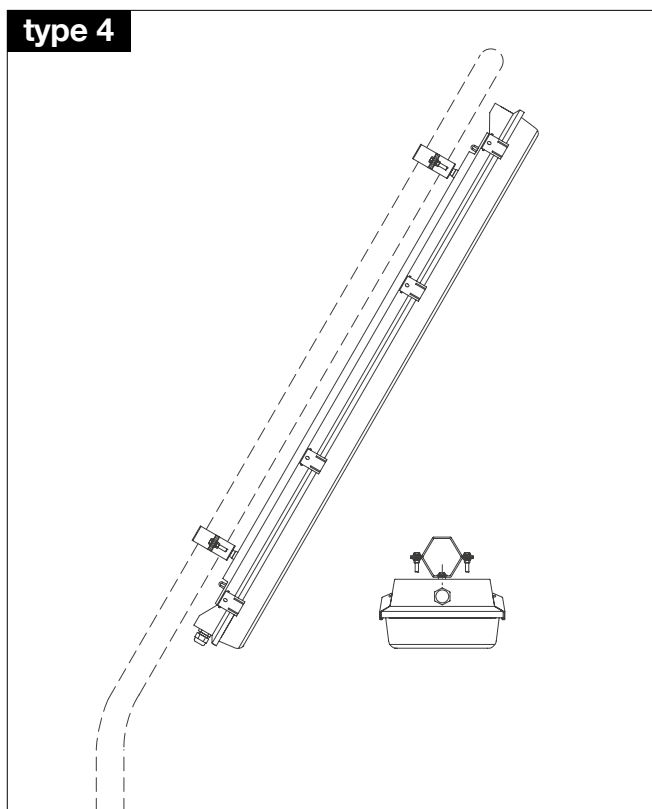
type 3



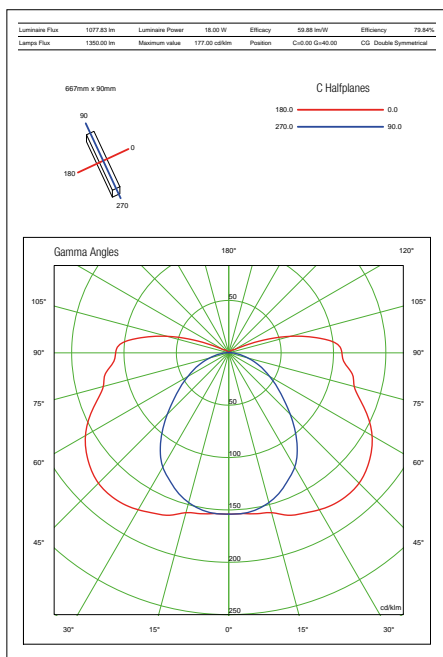
Pole mounting

Assemblig detail with pole (typical)

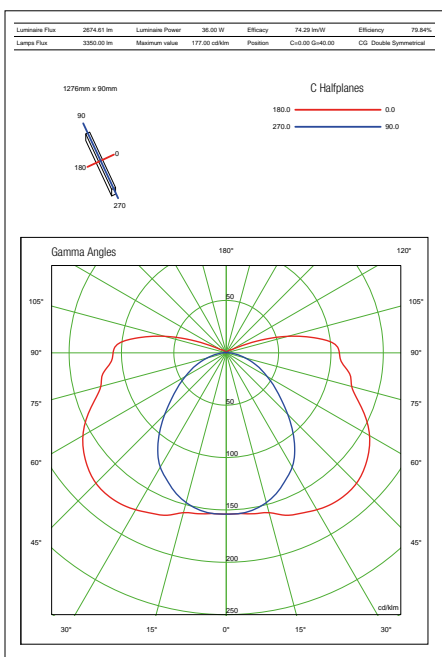
type 4



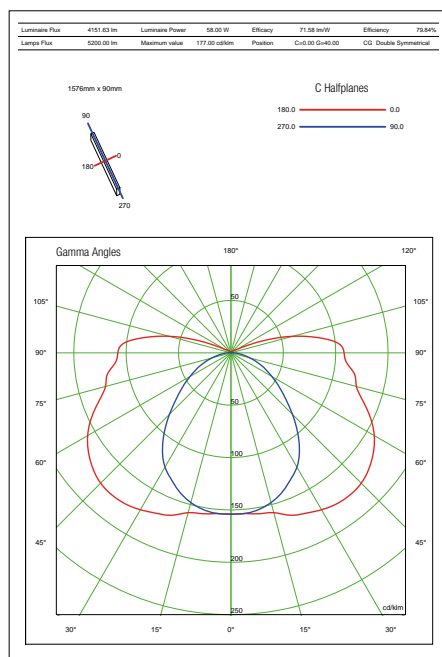
EVSN118EL



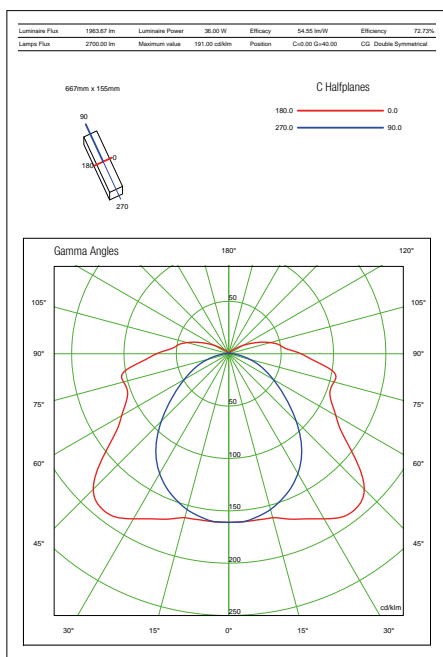
EVSN136EL



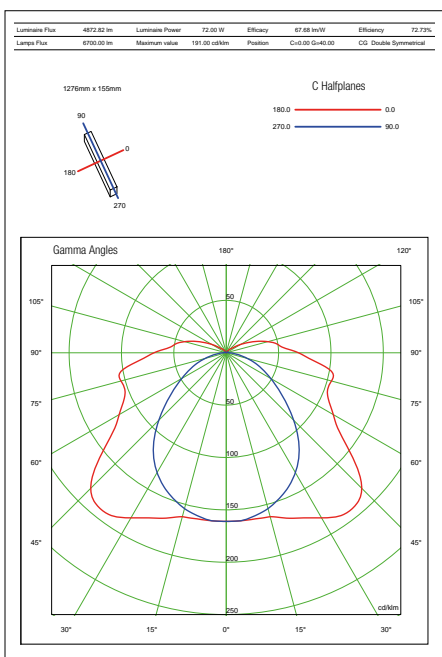
EVSN158EL



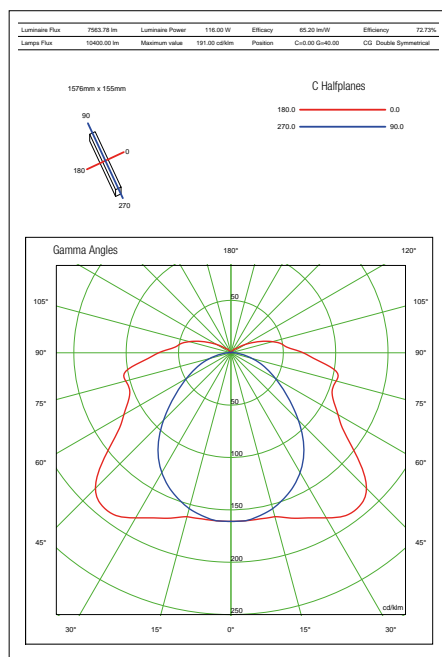
EVSN218EL



EVSN236EL



EVSN258EL



On request accessories

CODE	DESCRIPTION	INSTALLATION	MATERIAL
20303.0130	CEILING MOUNTING KIT C/W HARDWARE	TYPE 1	GALVANIZED STEEL
20303.0126	PENDANT MOUNTING KIT C/W HARDWARE AND EYE-BOLTS	TYPE 2	STAINLESS STEEL
20303.0131	WALL/STRUCTURE MOUNTING KIT C/W HARDWARE	TYPE 3	GALVANIZED STEEL
20302.0145	POLE MOUNTING KIT (SIZE 1 1/2" DIA.) C/W HARDWARE	TYPE 4	STAINLESS STEEL
20302.0146	POLE MOUNTING KIT (SIZE 2" DIA.) C/W HARDWARE	TYPE 4	STAINLESS STEEL
20302.0125	POLE MOUNTING KIT (SIZE 1" DIA.) C/W HARDWARE	TYPE 4	STAINLESS STEEL

REMARK:

Due to the development of the national and international specifications and of the technology, the above technical characteristics showed on this bulletin can be considered as binding on our confirmation only.



Installation: hazardous areas - Zone 2 (Gases) - Zone 22 (Dusts)
Classification: Group II - Category 3G 3D


REFERENCE STANDARDS
Directive 2014/34/EU

EXECUTION	Ⓢ II 3 G Ex nR IIC T3/T2 Gc Ⓢ II 3 D Ex tc IIIB T200°C/T300°C Dc
RULES OF COMPLIANCE	EN 60079-0 + A11; EN 60079-15; EN 60079-31
EC Type-Examination Certificate	LCIE 15 ATEX 1012X
PROTECTION DEGREE	IP66
AMBIENT TEMPERATURE	-40°C ÷ +60°C
OTHER AVAILABLE CERTIFICATES	IECEx: IECEx LCIE 15.0020X INMETRO: CEPEL 15.2353X EAC: TC RU C-IT.BH02.B.00602 (-40°C ÷ +60°C) RUSSIAN MARINE CERTIFICATE (RMRS): 19.02519.280

Mechanical characteristics

Body	marine grade copper free aluminum (SFDN version) stainless steel AISI 316L - sp. 1,5mm pickled, polished and brightened (SFDNX version)
Diffuser	tempered front glass
Support	steel bracket with rotation-proof system
Reflector	anodized and polished 99,85 pure aluminum internal optic
Painting	thermosetting polyester powder resistant to atmospheric agents and corrosion grey RAL 9006 colour (on request for SFDN version - on request for SFDNX version)
Screws	stainless steel
Gaskets	pure silicon heat resistance
Cable entry	ISO-METRIC complete with cable gland
Internal optic	(S) symmetric optic - (A) asymmetric optic - (C) concentrating beam optic (Internal optical selection for SFDN version only)


 > **Asymmetric**

 > **Symmetric**

 > **Concentrating**
Electrical characteristics

Power supply	conventional ballast 230V - 50Hz (P.F. CORRECTED - $\cos \rho \geq 0,95$)
Lampholders	porcelain E40
Internal wiring	high-temperature resistant silicon rubber insulation cables
Terminals	suitable up to 4 sq/mm cables

On Request Accessories:

- Control gear with voltage supply different than standard
- Internal optical code (S – A – C), has to be added to the floodlight code (only for SFDN)

Technical data

CODE	LAMP	TEMPERATURE CLASS (GAS)	TEMPERATURE CLASS (DUSTS)	LAMPHOLDER SIZE	CABLE ENTRY WITH CABLE GLAND	DETAIL
FLOODLIGHT FOR HIGH PRESSURE MERCURY VAPOUR LAMP - POWER SUPPLY 230V 50Hz						
SFDN-250HG-*	250 W	T3 (Ta = -40°C / +45°C)	T 200°C	E-40	1 x ISO-M20	A
SFDN-400HG-*	400 W	T2 (Ta = -40°C / +60°C)	T 300°C			

Note: available with symmetric optic only

FLOODLIGHT FOR METAL HALIDE LAMP - POWER SUPPLY 230V 50Hz						
SFDN-150MH-*	150 W	T3 (Ta = -40°C / +60°C)	T 200°C	E-40	1 x ISO-M20	A
SFDNX-150MH	150 W					B
SFDN-250MH-*	250 W	T3 (Ta = -40°C / +45°C) T2 (Ta = -40°C / +60°C)	T 200°C T 300°C			A
SFDNX-250MH	250 W					B
SFDN-400MH-*	400 W					A
SFDNX-400MH	400 W					B

FLOODLIGHT FOR HIGH PRESSURE SODIUM LAMP - POWER SUPPLY 230V-50Hz						
SFDN-150HPNA-*	150 W	T3 (Ta = -40°C / +60°C)	T 200°C	E-40	1 x ISO-M20	A
SFDNX-150HPNA	150 W					B
SFDN-250HPNA-*	250 W	T3 (Ta = -40°C / +45°C) T2 (Ta = -40°C / +60°C)	T 200°C T 300°C			A
SFDNX-250HPNA	250 W					B
SFDN-400HPNA-*	400 W					A
SFDNX-400HPNA	400 W					B

(*) INTERNAL OPTICAL BEAM: (S) SYMMETRIC BEAM - (A) ASYMMETRIC BEAM - (C) CONCENTRATING BEAM

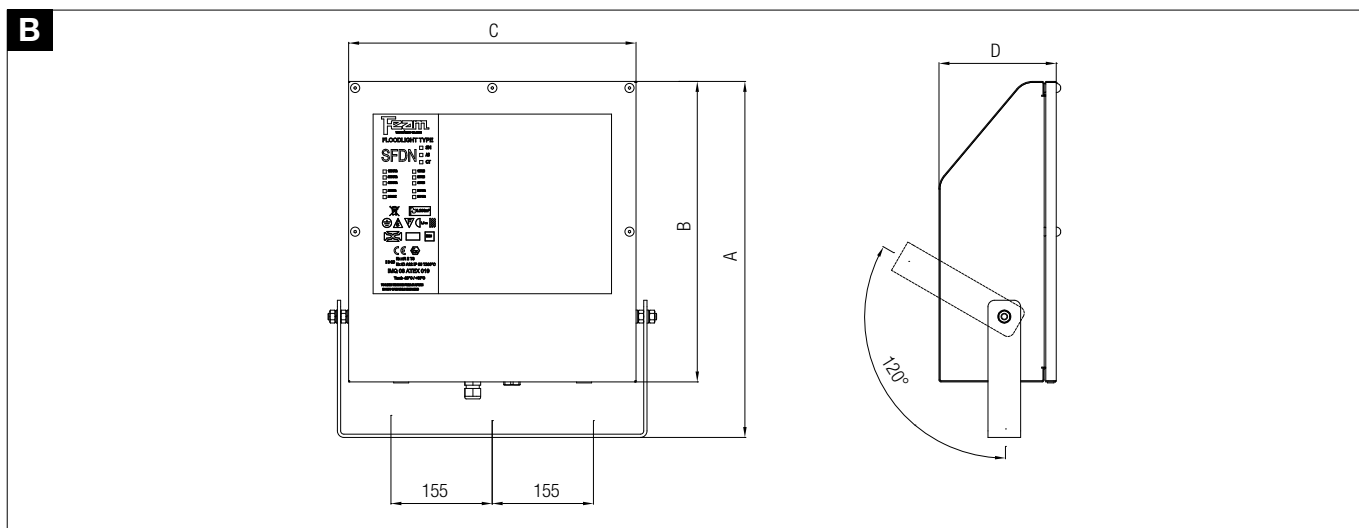
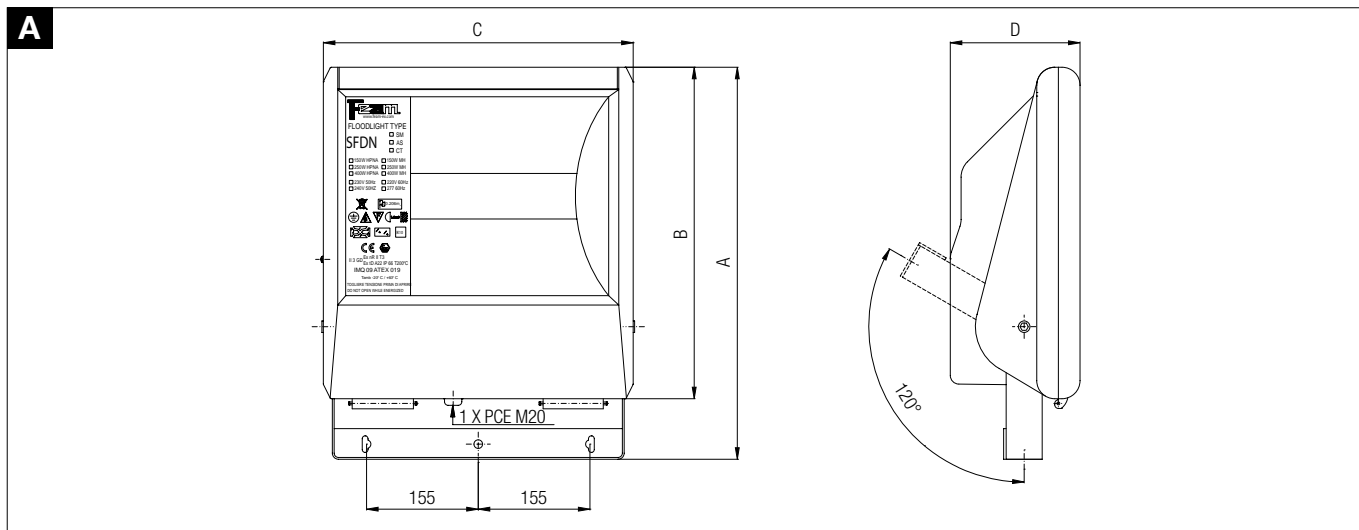
SAMPLE: SFDN#400MH-S= 400W METAL HALIDE FLOODLIGHT WITH SYMMETRIC OPTICAL BEAM

Technical features

CODE	A [mm]	B [mm]	C [mm]	D [mm]	WEIGHT [Kg]	CABLE ENTRY	DETAIL
SFDN-250HG	544	461	430	180	8,80	1 x ISO-M20	A
SFDN-400HG	544	461	430	180	9,10	1 x ISO-M20	A
SFDN-150MH	544	461	430	180	9,50	1 x ISO-M20	A
SFDNX-150MH	545	460	440	180	9,50	1 x ISO-M20	B
SFDN-250MH	544	461	430	180	9,70	1 x ISO-M20	A
SFDNX-250MH	545	460	440	180	9,70	1 x ISO-M20	B
SFDN-400MH	544	461	430	180	11,00	1 x ISO-M20	A
SFDNX-400MH	545	460	440	180	11,00	1 x ISO-M20	B
SFDN-150HPNA	544	461	430	180	10,50	1 x ISO-M20	A
SFDNX-150HPNA	545	460	440	180	10,50	1 x ISO-M20	B
SFDN-250HPNA	544	461	430	180	11,10	1 x ISO-M20	A
SFDNX-250HPNA	545	460	440	180	11,10	1 x ISO-M20	B
SFDN-400HPNA	544	461	430	180	12,30	1 x ISO-M20	A
SFDNX-400HPNA	545	460	440	180	12,30	1 x ISO-M20	B

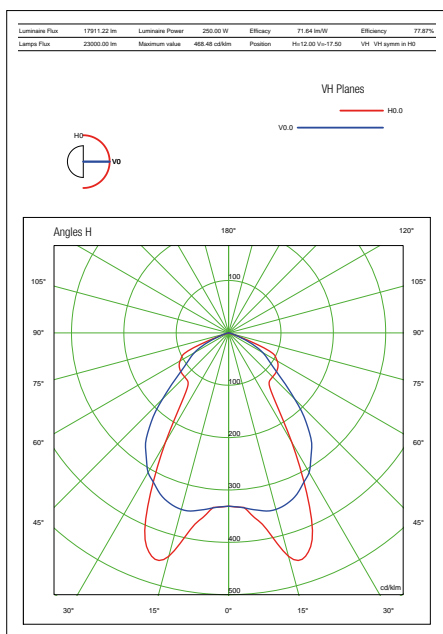


Reference details

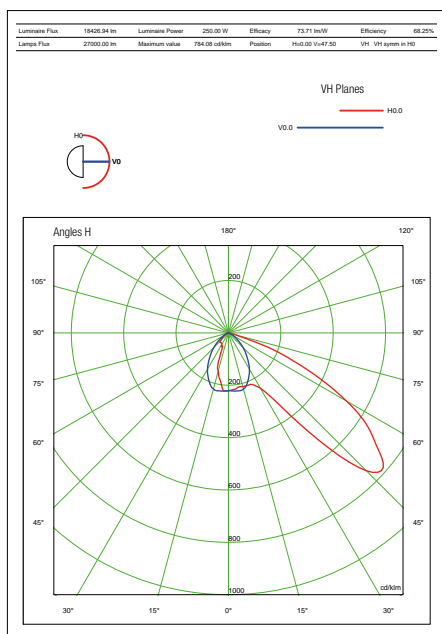


SFDN-SFDNX Polar diagrams – photometric data

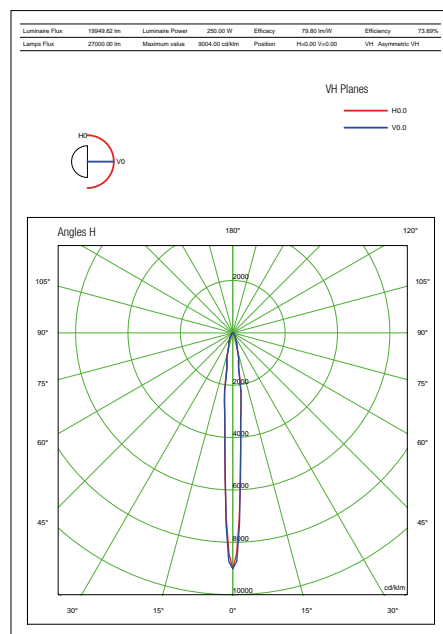
SFDN-250HPNA-S

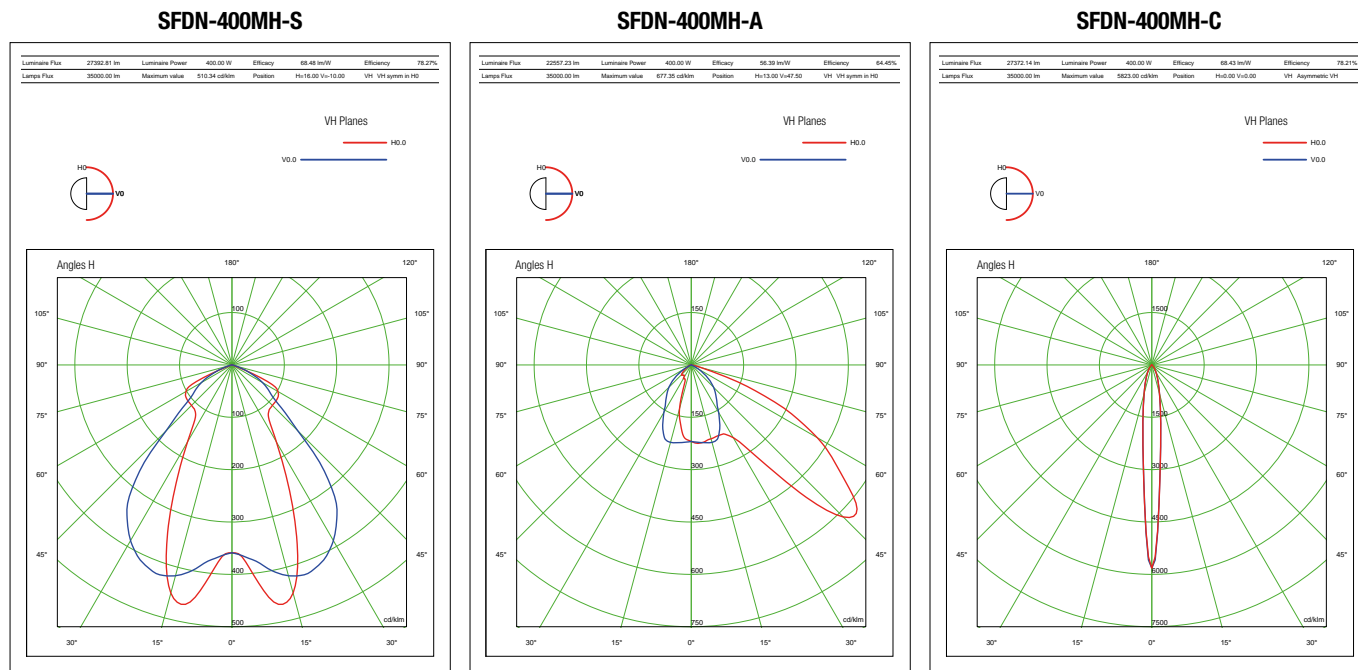


SFDN-250HPNA-A



SFDN-250HPNA-C



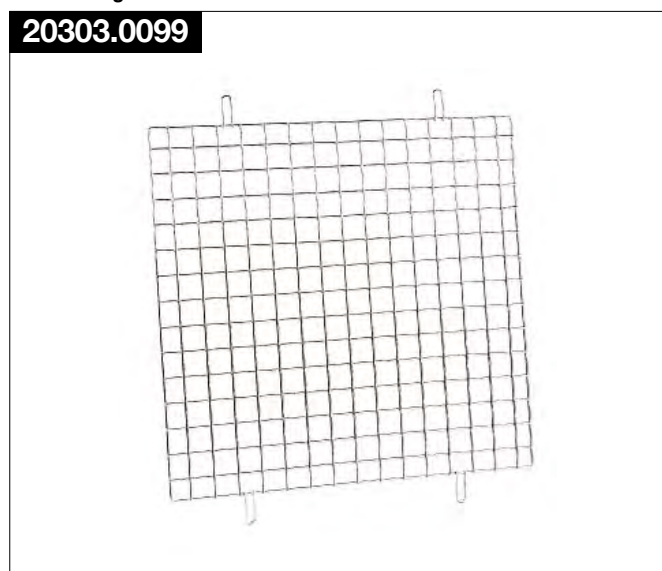


On request accessories

CODE	DESCRIPTION	MATERIAL
20303.0099	PROTECTION GRID	ALUMINIUM
20303.0100	POLE ADAPTER FOR DIA 40÷60MM	PAINTED STEEL

Protection grid

20303.0099



Pole adapter

20303.0100



REMARK:

Due to the development of the national and international specifications and of the technology, the above technical characteristics showed on this bulletin can be considered as binding on our confirmation only.


Installation: hazardous areas - Zone 2 (Gases) - Zone 22 (Dusts)

Classification: Group II - Category 3G 3D

REFERENCE STANDARDS
Directive 2014/34/EU

EXECUTION	Ⓜ II 3 G Ex ec IIC T4 Gc Ⓜ II 3 D Ex tc IIIC T135°C Dc
RULES OF COMPLIANCE	EN/IEC 60079-0; EN/IEC 60079-7; EN/IEC 60079-31
EC Type-Examination Certificate	INERIS 19 ATEX 3010X
PROTECTION DEGREE	IP66 (in accordance to IEC 60529)
AMBIENT TEMPERATURE	-40°C ÷ +60°C
OTHER AVAILABLE CERTIFICATES	IECEX: IECEX INE 19.0034X EAC: TC RU C-IT.BH02.B.00602 (-40°C ÷ +60°C)

Mechanical characteristics

Body	marine grade copper free aluminium
Diffuser	tempered front glass 4mm
Support	adjustable type 3mm thick shaped steel
Painting	external thermosetting polyester powder RAL-7039 colour
Screws	external stainless steel
Gaskets	silicon rubber
Cable entry	Dia. 20.5mm

Electrical characteristics

Power supply	220÷240Vac electronic driver 50/60 Hz - C/W surge protection 6/8-10KV and NTC thermal sensor
Lamp type	Samsung LH 181B - CRI>80 CCT 4000K Lifetime: 80.000 hours L80 B10 @ta 25, 50.000 hours L80 B20 @tamax
Internal wiring	high-temperature resistant silicon rubber insulation cables
Terminals	suitable up to 4 sq/mm cables
Optic	SM = without lens, maximum efficiency AS = with asymmetrical lens with vertex at 50deg


On Request Accessories:

- External painting colour on request
- DALI dimmable driver and output reduction Vmidnight system
- CCT 2200/3000/5700 K
- Customized LED current drivers
- Additional optics

Technical data

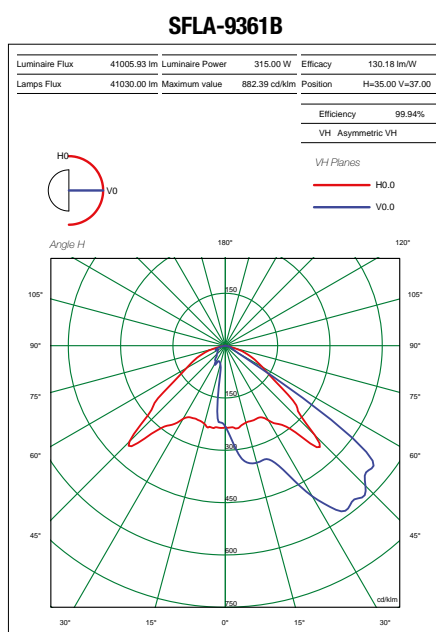
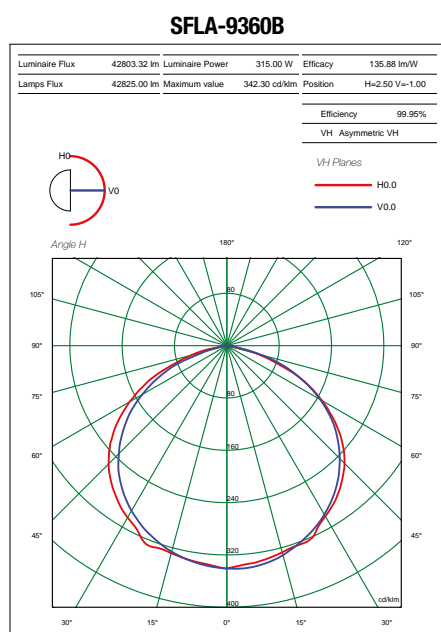
CODE	POWER LAMP	WIRING	TEMPERATURE CLASS (GAS)	TEMPERATURE CLASS (DUSTS)	OUTPUT TYPICAL (lm)	OUTPUT NET (lm)	CABLE ENTRY SIZE	DETAIL
FLOODLIGHTS FOR LED LAMP - POWER SUPPLY 220±240V 50/60Hz								
SFLA-4160B	140 W	64 LED	T4 (Ta +60°C)	T135°C	20800	19035	1 X ISO-M20	A
SFLA-4161B								
SFLA-5200B	175 W	80 LED			26000	23790		
SFLA-5201B								
SFLA-6240B	210 W	96 LED			31200	28550		
SFLA-6241B								
SFLA-7280B	245 W	112 LED			36400	33310		
SFLA-7281B								
SFLA-8320B	280 W	128 LED			41600	38070		
SFLA-8321B								
SFLA-9360B	315 W	144 LED	46800	42825				
SFLA-9361B								

OPTIC BEAM: 0B=SM - WITHOUT LENS / 1B=AS - ASYMMETRICAL LENS

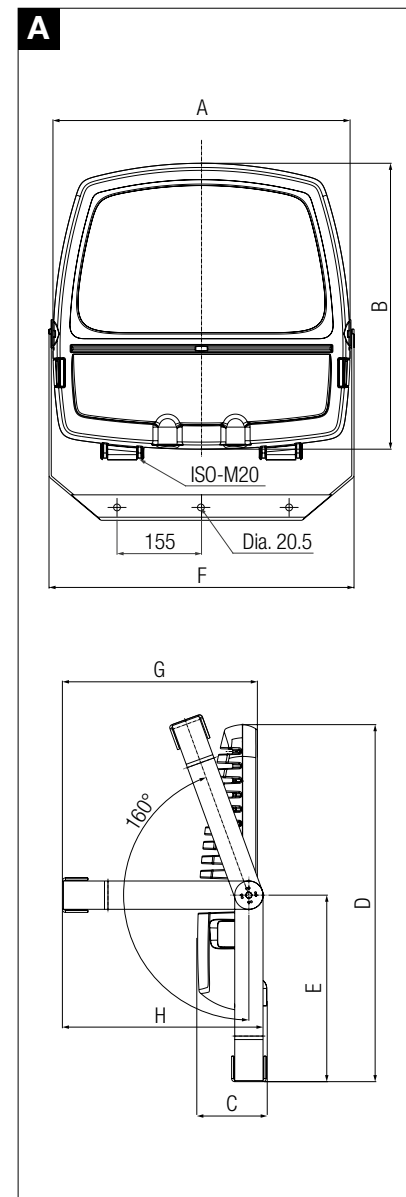
Technical features

CODE	A [mm]	B [mm]	C [mm]	D [mm]	E [mm]	F [mm]	G [mm]	H [mm]	WEIGHT [Kg]	CABLE ENTRY	DETAIL
SFLA-4160B	525	505	122	630,60	329	539	344	354	20,02	1 X ISO-M20	A
SFLA-4161B	525	505	122	630,60	329	539	344	354	20,07	1 X ISO-M20	A
SFLA-5200B	525	505	122	630,60	329	539	344	354	20,46	1 X ISO-M20	A
SFLA-5201B	525	505	122	630,60	329	539	344	354	20,52	1 X ISO-M20	A
SFLA-6240B	525	505	122	630,60	329	539	344	354	20,73	1 X ISO-M20	A
SFLA-6241B	525	505	122	630,60	329	539	344	354	20,80	1 X ISO-M20	A
SFLA-7280B	525	505	122	630,60	329	539	344	354	20,93	1 X ISO-M20	A
SFLA-7281B	525	505	122	630,60	329	539	344	354	21,01	1 X ISO-M20	A
SFLA-8320B	525	505	122	630,60	329	539	344	354	20,96	1 X ISO-M20	A
SFLA-8321B	525	505	122	630,60	329	539	344	354	21,05	1 X ISO-M20	A
SFLA-9360B	525	505	122	630,60	329	539	344	354	21,06	1 X ISO-M20	A
SFLA-9361B	525	505	122	630,60	329	539	344	354	21,22	1 X ISO-M20	A

SFLA LED Installation and mounting details



Reference details



REMARK:

Due to the development of the national and international specifications and of the technology, the above technical characteristics showed on this bulletin can be considered as binding on our confirmation only.


Installation: hazardous areas - Zone 2 (Gases) - Zone 22 (Dusts)

Classification: Group II - Category 3G 3D

REFERENCE STANDARDS
Directive 2014/34/EU

EXECUTION	Ⓜ II 3 G Ex ec IIC T4 Gc Ⓜ II 3 D Ex tc IIIB T115°C Dc
RULES OF COMPLIANCE	EN/IEC 60079-0; EN/IEC 60079-7; EN/IEC 60079-31
EC Type-Examination Certificate	INERIS 19 ATEX 3010X
PROTECTION DEGREE	IP66 (in accordance to IEC 60529 with silicone grease applied on gasket)
AMBIENT TEMPERATURE	-40°C ÷ +60°C
OTHER AVAILABLE CERTIFICATES	IECEX: IECEX INE 19.0034X EAC: TC RU C-IT.BH02.B.00602 (-40°C ÷ +60°C)

Mechanical characteristics

Body	marine grade copper free aluminium
Diffuser	tempered front glass 4mm
Support	adjustable type 3mm thick shaped steel
Painting	external thermosetting polyester powder RAL-7039 colour
Screws	external stainless steel
Gaskets	silicon rubber
Cable entry	Dia. 20.5mm

Electrical characteristics

Power supply	220÷240Vac electronic driver 50/60 Hz - C/W surge protection 6/8KV and NTC thermal sensor
Lamp type	Samsung LH 181B - CRI>80 CCT 4000K Lifetime: 80.000 hours L80 B10 @ta 25, 50.000 hours L80 B20 @tamax
Internal wiring	high-temperature resistant silicon rubber insulation cables
Terminals	suitable up to 4 sq/mm cables
Optic	SM = without lens, maximum efficiency AS = with asymmetrical lens vertex at 50deg ST = road lens with asymmetry vertex 30deg


On Request Accessories:

- External painting colour on request
- DALI dimmable driver and output reduction with Vmidnight system
- CCT 2200/3000/5700 K
- Customized LED current drivers
- Additional optics
- SPD 10KV
- Pole mounting

Technical data

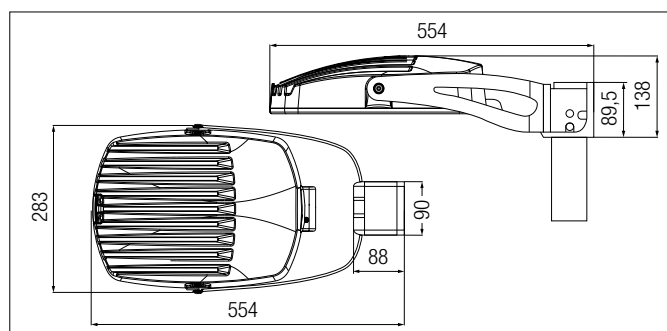
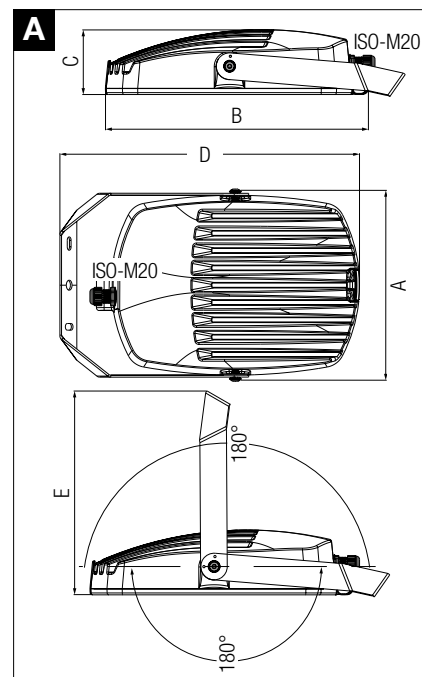
CODE	POWER LAMP	WIRING	TEMPERATURE CLASS (GAS)	TEMPERATURE CLASS (DUSTS)	OUTPUT TYPICAL (lm)	OUTPUT NET (lm)	CABLE ENTRY SIZE	DETAIL
FLOODLIGHTS FOR LED LAMP - POWER SUPPLY 220±240V 50/60Hz								
SFLP-1040B	35 W	16 LED	T4 (Ta +60°C)	T115°C	5200	4760	1 X ISO-M20	A
SFLP-1041B						4560		
SFLP-1042B						4475		
SFLP-2080B	70 W	32 LED			10400	9515		
SFLP-2081B						9120		
SFLP-2082B						8950		
SFLP-3120B	105 W	48 LED			15600	14275		
SFLP-3121B						13670		
SFLP-3122B						13420		
SFLP-4160B	140 W	64 LED	20800	19030				
SFLP-4161B				18235				
SFLP-4162B				17900				

OPTIC BEAM: 0B=SM - WITHOUT LENS / 1B=AS - ASYMMETICAL LENS / 2B=ST - STREET-ROAD LENS

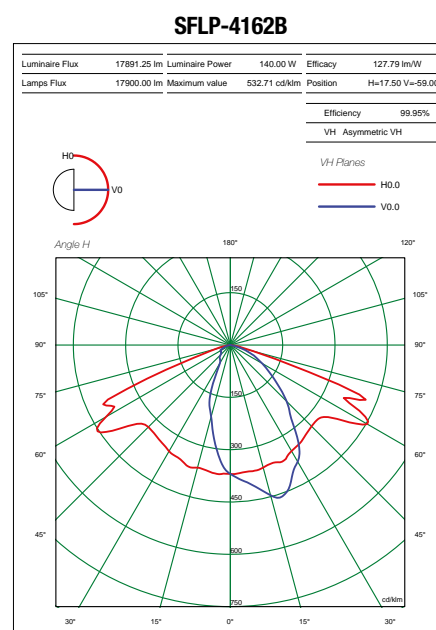
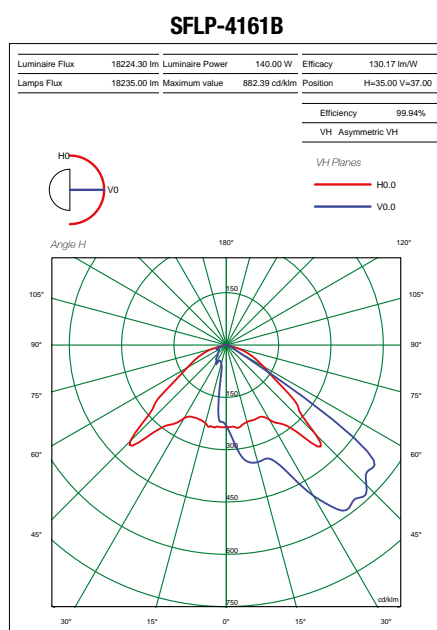
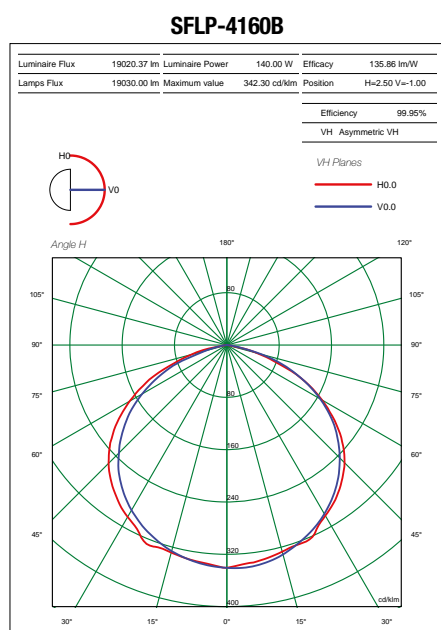
Technical features

CODE	A [mm]	B [mm]	C [mm]	D [mm]	E [mm]	WEIGHT [Kg]	CABLE ENTRY	DETAIL
SFLP-1040B	283	395	97	450	305	6,42	1 X ISO-M20	A
SFLP-1041B	283	395	97	450	305	6,45	1 X ISO-M20	A
SFLP-1042B	283	395	97	450	305	6,44	1 X ISO-M20	A
SFLP-2080B	283	395	97	450	305	6,45	1 X ISO-M20	A
SFLP-2081B	283	395	97	450	305	6,51	1 X ISO-M20	A
SFLP-2082B	283	395	97	450	305	6,50	1 X ISO-M20	A
SFLP-3120B	283	395	97	450	305	6,34	1 X ISO-M20	A
SFLP-3121B	283	395	97	450	305	6,43	1 X ISO-M20	A
SFLP-3122B	283	395	97	450	305	6,42	1 X ISO-M20	A
SFLP-4160B	283	395	97	450	305	6,40	1 X ISO-M20	A
SFLP-4161B	283	395	97	450	305	6,52	1 X ISO-M20	A
SFLP-4162B	283	395	97	450	305	6,51	1 X ISO-M20	A

Reference details



SFLP LED Installation and mounting details



On request accessories

CODE	DESCRIPTION	MATERIAL
923.503.002	T Pole adapter Ø 60 mm	Painted steel

REMARK:

Due to the development of the national and international specifications and of the technology, the above technical characteristics showed on this bulletin can be considered as binding on our confirmation only.


Installation: hazardous areas - Zone 2 (Gases) - Zone 22 (Dusts)

Classification: Group II - Category 3G 3D

REFERENCE STANDARDS
Directive 2014/34/EU

EXECUTION	Ⓜ II 3 G Ex ec IIC T3 Gc Ⓜ II 3 D Ex tc IIIB T120°C Dc
RULES OF COMPLIANCE	EN/IEC 60079-0; EN/IEC 60079-7; EN/IEC 60079-31
EC Type-Examination Certificate	INERIS 19 ATEX 3010X
PROTECTION DEGREE	IP66 (in accordance to IEC 60529)
AMBIENT TEMPERATURE	-40°C ÷ +60°C
OTHER AVAILABLE CERTIFICATES	IECEX: IECEX INE 19.0034X EAC: TC RU C-IT.ГБ08.В.01343 (-40°C ÷ +60°C)

Mechanical characteristics

Body	marine grade copper free aluminium
Diffuser	tempered front glass 4mm
Support	adjustable type 2mm thick shaped steel
Painting	external thermosetting polyester powder RAL-7039 colour
Screws	external stainless steel
Gaskets	silicon rubber
Cable entry	Dia. 20.5mm

Electrical characteristics

Power supply	220÷240Vac electronic driver 50/60 Hz - C/W surge protection 2/4KV
Lampholders	Samsung COB D-Gen3 - CRI>80 CCT 4000K Lifetime: 58.000 hours L80 B10 @ta 25, 50.000 hours L70 B50 @tamax
Internal wiring	high-temperature resistant silicon rubber insulation cables
Terminals	suitable up to 4 sq/mm cables
Optic	SM = without lens, maximum efficiency


On Request Accessories:

- External painting colour on request
- Frosted diffuser glass
- CCT 3000/5700/6500 K
- DALI dimmable driver
- GORE® protective vents system

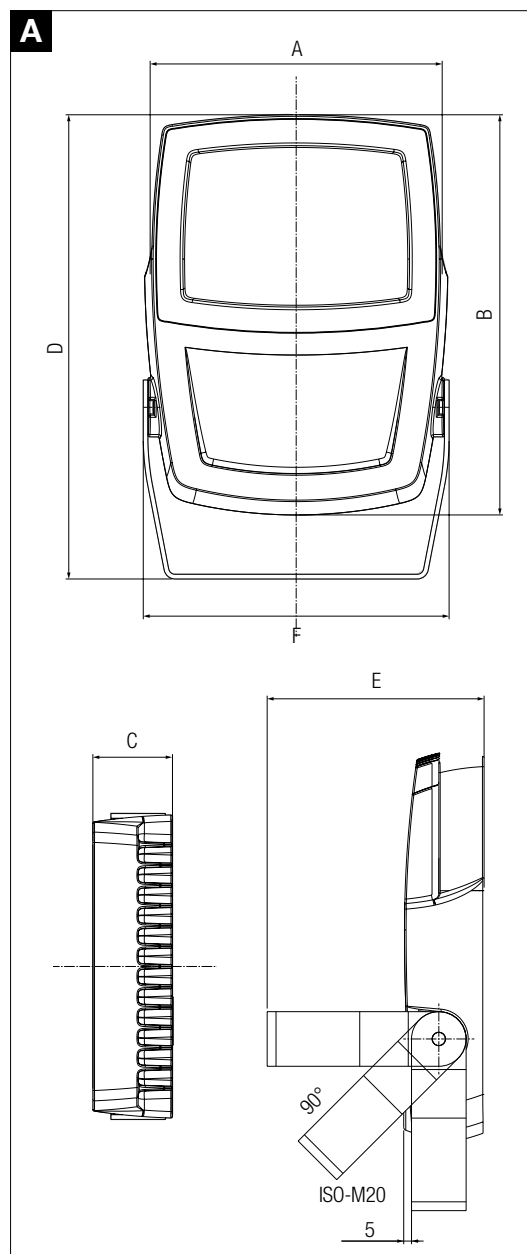
CODE	POWER LAMP	WIRING	TEMPERATURE CLASS (GAS)	TEMPERATURE CLASS (DUSTS)	OUTPUT TYPICAL (lm)	OUTPUT NET (lm)	CABLE ENTRY SIZE	DETAIL
FLOODLIGHTS FOR LED LAMP - POWER SUPPLY 220±240V 50/60Hz								
SFLJ-1300B	17,5 W	1 LED	T3 (Ta +60°C)	T120°C	3040	2705	1 X ISO-M20	A
SFLJ-1380B	24,5 W				4000	3560		
SFLJ-1440B	32 W				5000	4450		

OPTIC BEAM: OB=SM - WITHOUT LENS

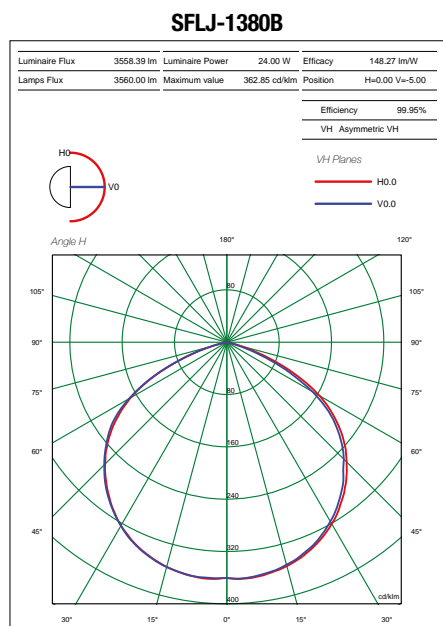
Technical features

CODE	A [mm]	B [mm]	C [mm]	D [mm]	E [mm]	F [mm]	WEIGHT [Kg]	CABLE ENTRY	DETAIL
SFLJ-1300B	187	256	51	297	139	196	2,79	1 X ISO-M20	A
SFLJ-1380B	187	256	51	297	139	196	2,81	1 X ISO-M20	A
SFLJ-1440B	187	256	51	297	139	196	2,83	1 X ISO-M20	A

Reference details



SFLJ LED Installation and mounting details



REMARK:

Due to the development of the national and international specifications and of the technology, the above technical characteristics showed on this bulletin can be considered as binding on our confirmation only.



Installation: Safe Area
Insulation Class: I


REFERENCE STANDARDS

	CEI / EN
EXECUTION	INDUSTRIAL WEATHERPROOF
RULES OF COMPLIANCE	EN 60598-1 + A1; EN 60598-2-1
EC Type-Examination Certificate	-
PROTECTION DEGREE	IP65
AMBIENT TEMPERATURE	-20°C ÷ +60°C

Mechanical characteristics

Body	glass fibre reinforced polyester resin
Diffuser	U/V resistant polycarbonate - hinged to body
Safety closing	stainless steel hooks
Gaskets	EPDM 60 rubber suitable for high temperatures and resistant to enviroments conditions
Internal reflector	white stove enamelled sheet steel
Cable entry	complete with 1 PVC cable gland and 1 cap

Electrical characteristics

Power supply	dual channel electronic ballast: - 110÷240Vac - 50/60 Hz (cos ρ ≥ 0,98) - 110÷240Vdc
Emergency unit	emergency unit with autonomy from 120 min. - (inverter) 220÷240V 50/60Hz
Lampholders	bi-pin G13 cap
Terminals	suitable up to 6 sq/mm cables

(*) The lighting fittings must be used appropriately without changing the mechanical and protection features, and must not be installed on surfaces


On Request Accessories:

- Pole mounting kit complete with stainless steel hardware
- Ceiling mounting kit complete with stainless steel hardware
- Pendant mounting kit complete with stainless steel hardware
- Wall/Structure mounting kit complete with stainless steel hardware
- Electronic ballast with voltage supply different than standard
- Emergency Group
- Up to 4 cable entries

Technical data

CODE	LAMP	TEMPERATURE CLASS (GAS)	TEMPERATURE CLASS (DUSTS)	LAMPHOLDER	CABLE ENTRY WITH CABLE GLAND	EMERGENCY UNIT	AUTONOMY	DETAIL
FLUORESCENT LIGHTING FIXTURES FOR SINGLE AND TWIN LAMPS - POWER SUPPLY (110±240Vac - 50/60 Hz) - (110±240Vdc)								
EVSA118EL	1 x 18W	-	-	G13	2 x M20	-	-	A
EVSA136EL	1 x 36W	-	-	G13	2 x M20	-	-	A
EVSA158EL	1 x 58W	-	-	G13	2 x M20	-	-	A
EVSA218EL	2 x 18W	-	-	G13	2 x M20	-	-	A
EVSA236EL	2 x 36W	-	-	G13	2 x M20	-	-	A
EVSA258EL	2 x 58W	-	-	G13	2 x M20	-	-	A

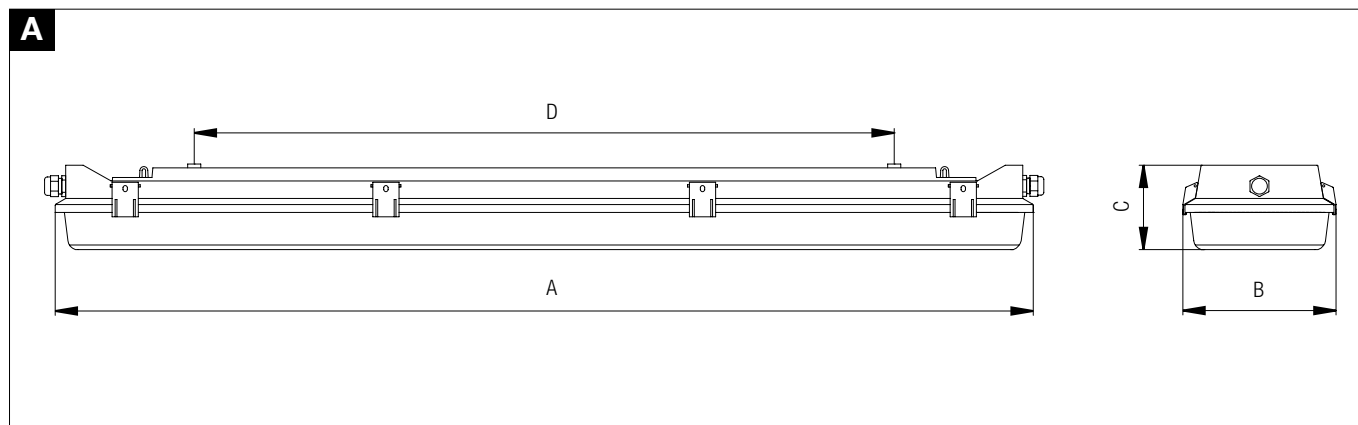
EMERGENCY FLUORESCENT LIGHTING FIXTURES FOR SINGLE AND TWIN LAMPS - POWER SUPPLY 220V / 240V - 50/60Hz								
EVSA118EL-E	1 x 18W	-	-	G13	2 x M20	4,8V - 4Ah	120 min.	A
EVSA136EL-E	1 x 36W	-	-	G13	2 x M20	4,8V - 4Ah	120 min.	A
EVSA158EL-E	1 x 58W	-	-	G13	2 x M20	4,8V - 4Ah	120 min.	A
EVSA218EL-E	2 x 18W	-	-	G13	2 x M20	4,8V - 4Ah	120 min.	A
EVSA236EL-E	2 x 36W	-	-	G13	2 x M20	4,8V - 4Ah	120 min.	A
EVSA258EL-E	2 x 58W	-	-	G13	2 x M20	4,8V - 4Ah	120 min.	A

Technical features

CODE	A [mm]	B [mm]	C [mm]	D [mm]	WEIGHT [Kg]	CABLE ENTRY	DETAIL
EVSA118EL	667	90	98	382	1,75	2 x M20	A
EVSA136EL	1276	90	98	735	2,45	2 x M20	A
EVSA158EL	1576	90	98	1035	3,1	2 x M20	A
EVSA218EL	667	155	102	406	2,1	2 x M20	A
EVSA236EL	1276	155	102	735	3,9	2 x M20	A
EVSA258EL	1576	155	102	1006	5,2	2 x M20	A

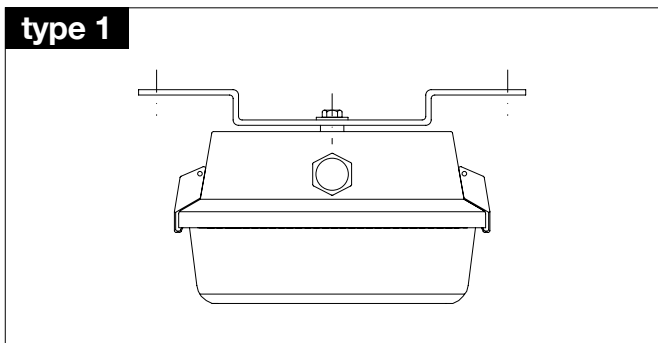
CODE	A [mm]	B [mm]	C [mm]	D [mm]	WEIGHT [Kg]	CABLE ENTRY	DETAIL
EVSA118EL-E	667	90	98	382	2,3	2 x M20	A
EVSA136EL-E	1276	90	98	735	3	2 x M20	A
EVSA158EL-E	1576	90	98	1035	3,6	2 x M20	A
EVSA218EL-E	667	155	102	406	2,6	2 x M20	A
EVSA236EL-E	1276	155	102	735	4,4	2 x M20	A
EVSA258EL-E	1576	155	102	1006	5,7	2 x M20	A

Reference details



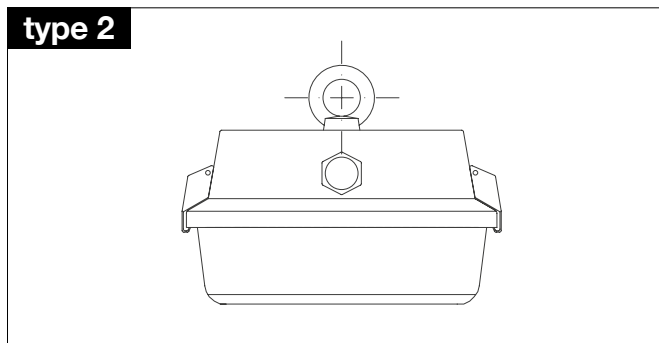
Ceiling mounting

type 1



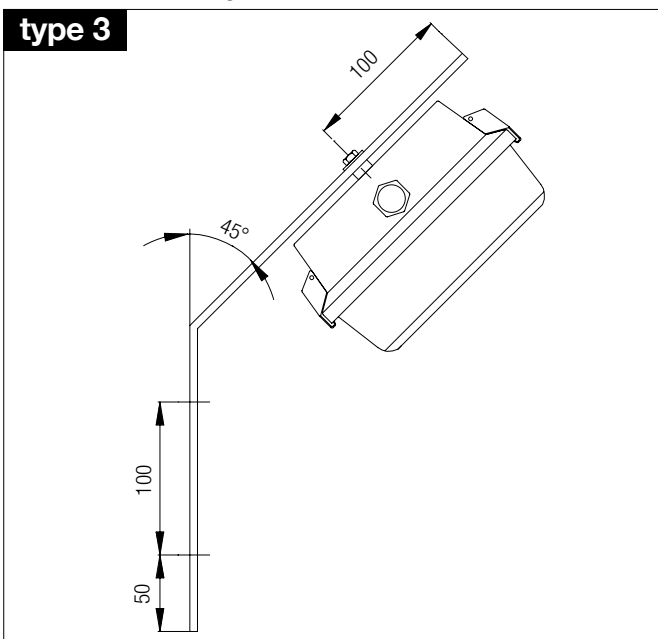
Pendant mounting

type 2



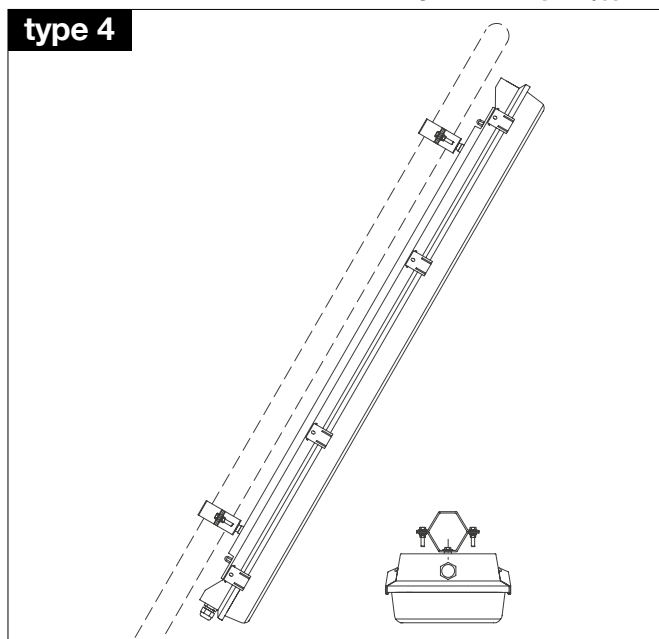
Wall/structure mounting

type 3



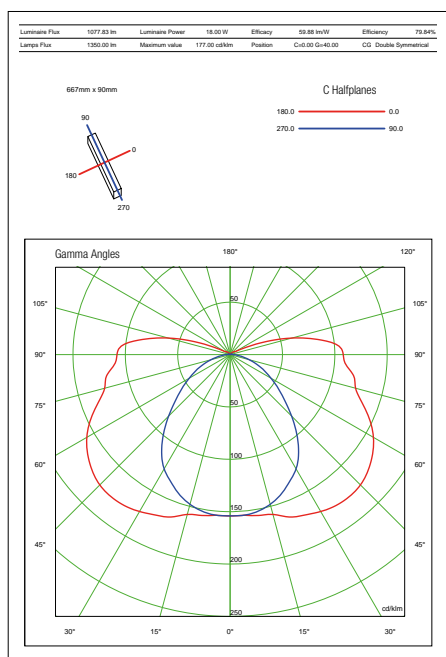
Pole mounting
Assemblg detail with pole (typical)

type 4

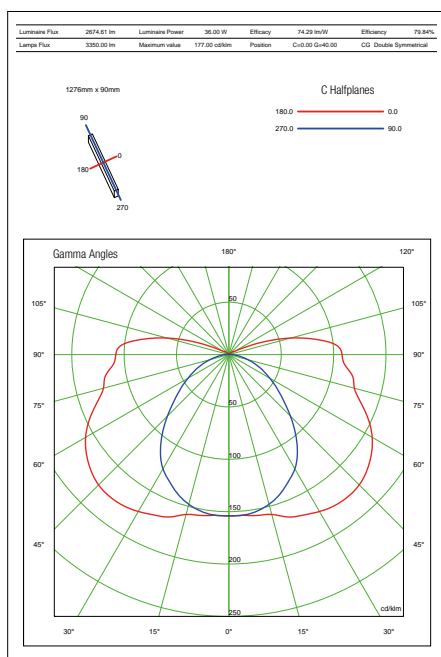


EVSA Polar diagrams – photometric data

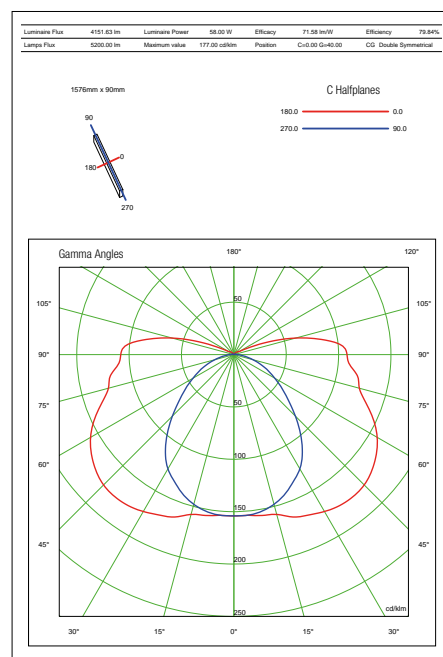
EVSA118EL



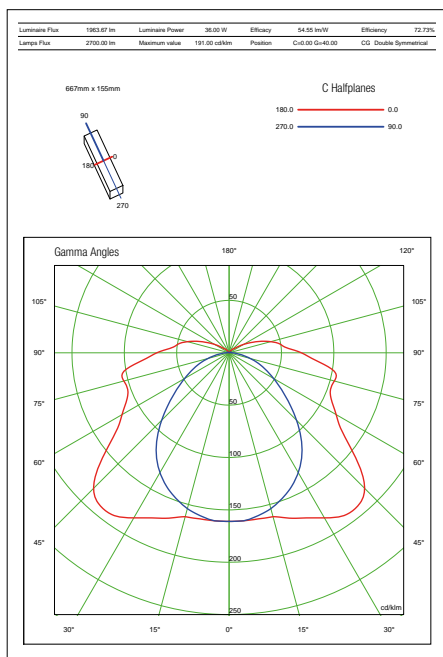
EVSA136EL



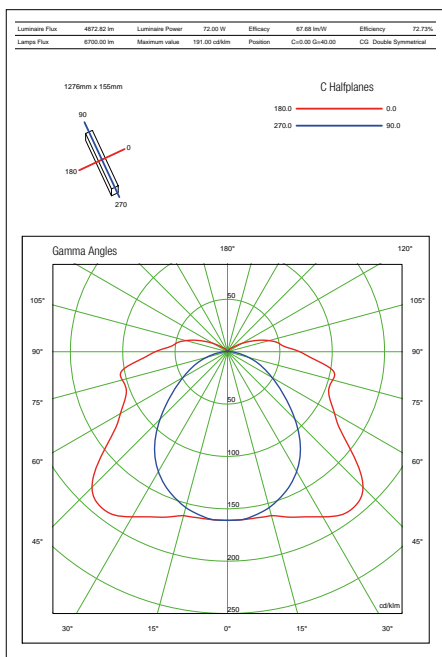
EVSA158EL



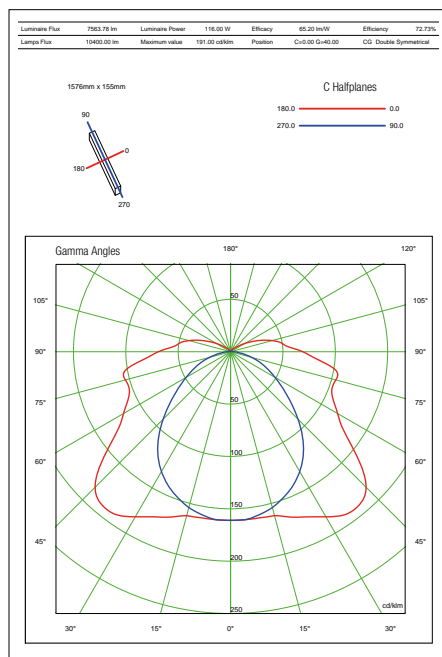
EVSA218EL



EVSA236EL



EVSA258EL



On request accessories

CODE	DESCRIPTION	INSTALLATION	MATERIAL
20303.0130	CEILING MOUNTING KIT C/W HARDWARE	TYPE 1	GALVANIZED STEEL
20303.0126	PENDANT MOUNTING KIT C/W HARDWARE AND EYE-BOLTS	TYPE 2	STAINLESS STEEL
20303.0131	WALL/STRUCTURE MOUNTING KIT C/W HARDWARE	TYPE 3	GALVANIZED STEEL
20302.0145	POLE MOUNTING KIT (SIZE 1 1/2" DIA.) C/W HARDWARE	TYPE 4	STAINLESS STEEL
20302.0146	POLE MOUNTING KIT (SIZE 2" DIA.) C/W HARDWARE	TYPE 4	STAINLESS STEEL
20302.0125	POLE MOUNTING KIT (SIZE 1" DIA.) C/W HARDWARE	TYPE 4	STAINLESS STEEL

REMARK:

Due to the development of the national and international specifications and of the technology, the above technical characteristics showed on this bulletin can be considered as binding on our confirmation only.



Installation: Safe Area

Insulation Class: I



REFERENCE STANDARDS

CEI/EN

EXECUTION	INDUSTRIAL WEATHERPROOF
RULES OF COMPLIANCE	EN 60598-1 + A1; EN 60598-2-1
EC Type-Examination Certificate	-
PROTECTION DEGREE	IP66
AMBIENT TEMPERATURE	-20°C ÷ +60°C

Mechanical characteristics

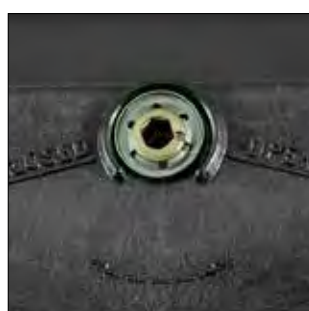
Body	glass fibre reinforced polyester resin self-extinguishing acc. to UL94
Diffuser	U/V resistant polycarbonate - hinged to body
Safety closing	operated by hexagonal key
Gaskets	EPDM 60 rubber suitable for high temperatures and resistant to enviroments conditions
Internal reflector	white stove enamelled sheet aluminum
Cable entry	ISO-Metric complete with 2 PVC cable gland + 2 PVC stopping plug

Electrical characteristics for fluorescent lamps

Power supply	dual channel electronic ballast: - 110÷240Vac - 50/60 Hz (cos ρ ≥ 0,98) - 110÷240Vdc
Emergency unit	emergency unit with autonomy from 180 min. (inverter) 220÷240V 50/60Hz
Lampholders	bi-pin G13 cap
Terminals	suitable up to 4 sq/mm cables

Electrical characteristics for LED strips lamp

Power Supply	220÷240V 50/60Hz (cos ρ ≥ 0,98)
Internal Wiring	105° C resistant silicon rubber insulation cables
Terminals	suitable up to 4sq/mm cables
Emergency Unit	emergency unit composed of inverter charger and Ni-Cd battery pack 4A/h 6.0V autonomy 180min. LED power-on indicating lamp provided - (inverter) 220÷240V 50/60Hz



On Request Accessories:

- Pole mounting kit complete with stainless steel hardware
- Ceiling mounting kit complete with stainless steel hardware
- Pendant mounting kit complete with stainless steel hardware
- Wall/Structure mounting kit complete with stainless steel hardware
- Electronic ballast with voltage supply different than standard
- Ex-de safety switch
- Up to 4 cable entries

Technical data

CODE	LAMP	TEMPERATURE CLASS (GAS)	TEMPERATURE CLASS (DUSTS)	LAMPHOLDER	ENTRY	EMERGENCY UNIT	AUTONOMY	DETAIL
FLUORESCENT LIGHTING FIXTURES FOR SINGLE AND TWIN LAMPS - POWER SUPPLY (110÷240Vac - 50/60 Hz) - (110÷240Vdc)								
WFL-118	1 x 18W	-	-	G13	4 x M20	-	-	A
WFL-136	1 x 36W	-	-	G13	4 x M20	-	-	A
WFL-218	2 x 18W	-	-	G13	4 x M20	-	-	A
WFL-236	2 x 36W	-	-	G13	4 x M20	-	-	A

EMERGENCY FLUORESCENT LIGHTING FIXTURES FOR SINGLE AND TWIN LAMPS - POWER SUPPLY (inverter) 220÷240V - 50/60Hz								
WFLE-118	1 x 18W	-	-	G13	4 x M20	4,8V - 4Ah	180 min.	A
WFLE-136	1 x 36W	-	-	G13	4 x M20	4,8V - 4Ah	180 min.	A
WFLE-218	2 x 18W	-	-	G13	4 x M20	4,8V - 4Ah	180 min.	A
WFLE-236	2 x 36W	-	-	G13	4 x M20	4,8V - 4Ah	180 min.	A

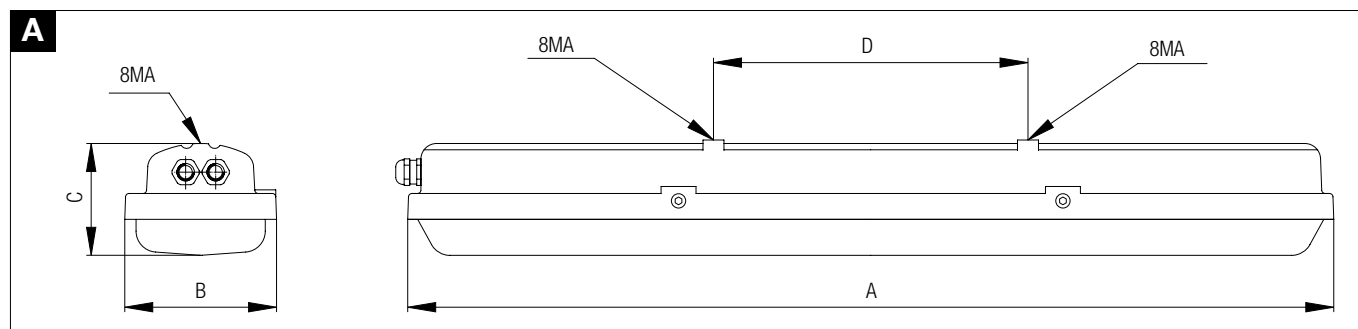
LIGHTING FIXTURES FOR LED STRIPES LAMP ("TR" VERSION) - CCT: 5000K / CRI: 80 - POWER SUPPLY 220÷240Vac							
CODE	LAMP	TEMPERATURE CLASS (GAS)	TEMPERATURE CLASS (DUSTS)	OUTPUT (lm)	EMERGENCY UNIT	DIMENSIONALLY EQUIVALENT TO	
WFL-66LED	66 LED / 22W	-	-	3180	-	18W FLUO. L=730 mm	
WFL-132LED	132 LED / 44W	-	-	6340	-	36W FLUO. L=1340 mm	
WFLE-66LED	66 LED / 22W	-	-	3180	6.0 V - 4Ah AUTONOMY 180 min.	18W FLUO. L=730 mm	
WFLE-132LED	132 LED / 44W	-	-	6340	6.0 V - 4Ah AUTONOMY 180 min.	36W FLUO. L=1340 mm	

Note: LED stripes lamps included along with lighting fixtures
EMERGENCY OPERATING WITH 66 LED UNITS ONLY AS STANDARD

Technical features

CODE	A [mm]	B [mm]	C [mm]	D [mm]	WIGHT [Kg]	CABLE ENTRY	DETAIL
WFL-118	730	215	160	400	6,00	4 x M20	A
WFL-136	1340	215	160	450	6,50	4 x M20	A
WFL-218 / WFL-66LED	730	215	160	400	7,00	4 x M20	A
WFL-236 / WFL-132LED	1340	215	160	450	7,50	4 x M20	A
WFLE-118	730	215	160	400	11,00	4 x M20	A
WFLE-136	1340	215	160	450	11,50	4 x M20	A
WFLE-218 / WFLE-66LED	730	215	160	400	12,00	4 x M20	A
WFLE-236 / WFLE-132LED	1340	215	160	450	12,50	4 x M20	A

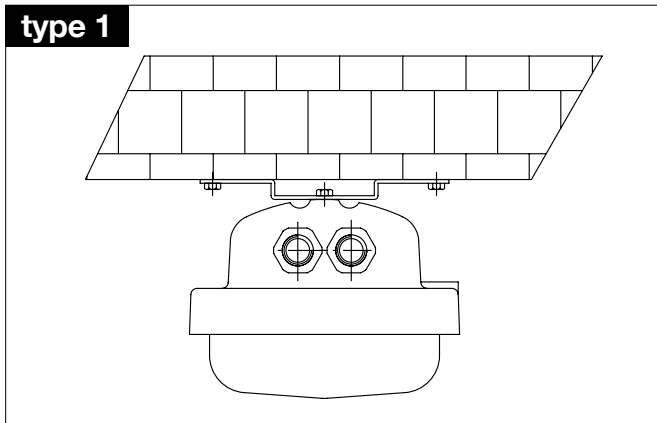
Reference details





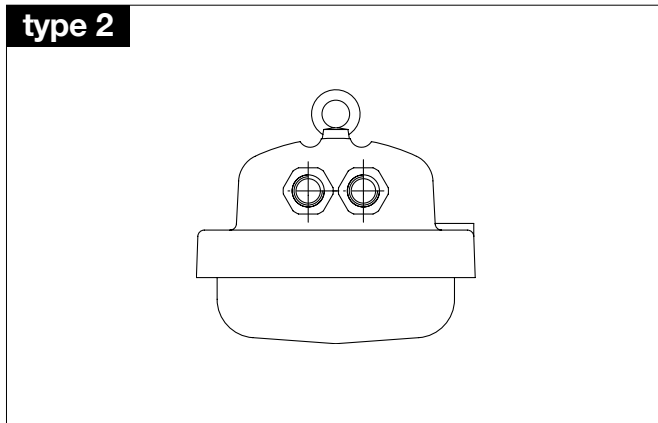
Ceiling mounting

type 1



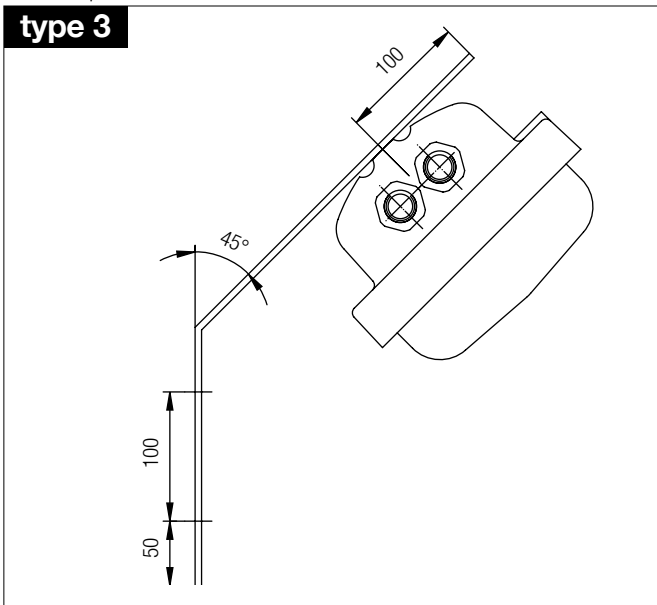
Pendant mounting

type 2



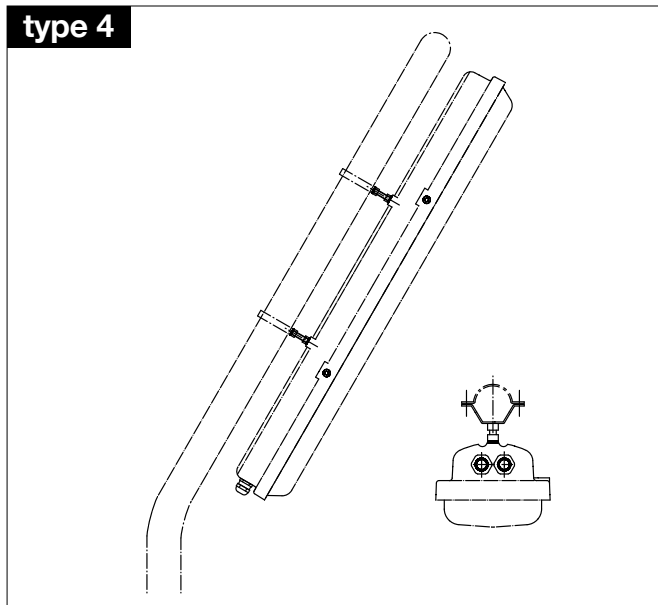
Wall/structure mounting

type 3



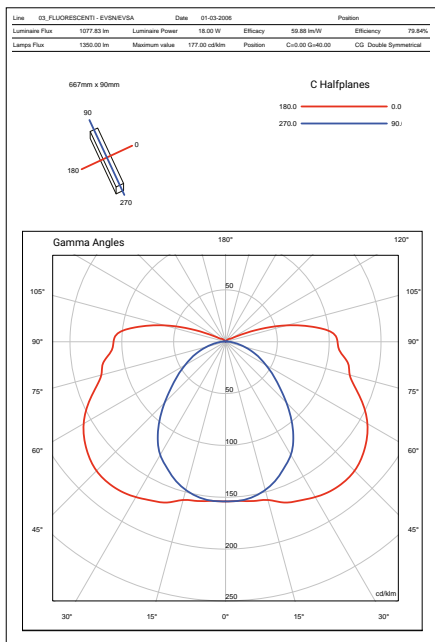
Pole mounting. Assembling detail with pole (typical)

type 4

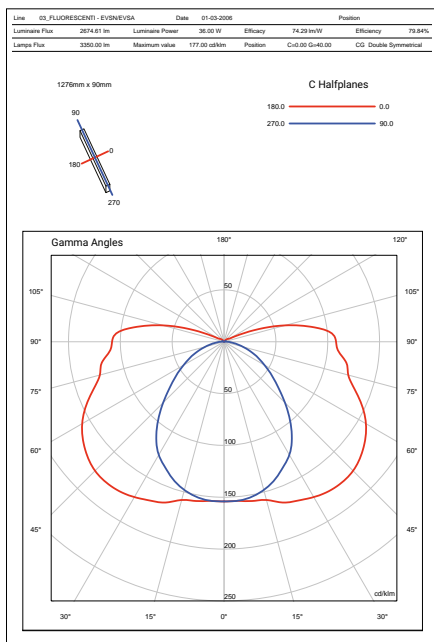


WFL Polar diagrams – photometric data

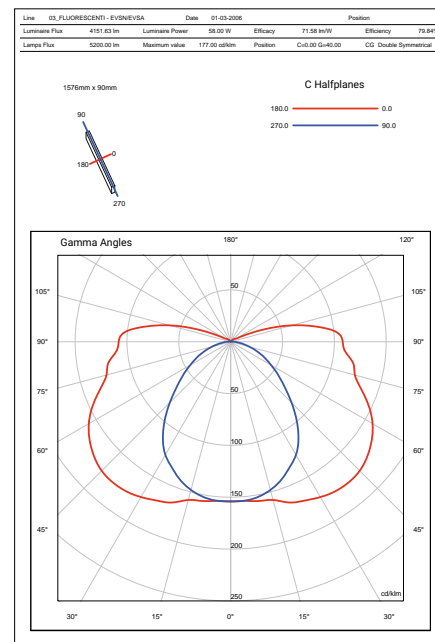
WFL-218



WFL-136



WFL-236

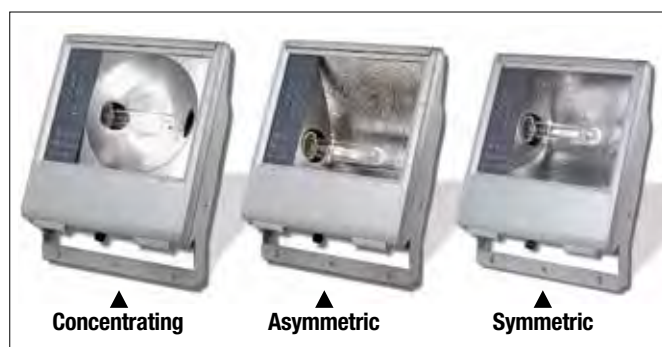


On request accessories

CODE	DESCRIPTION	INSTALLATION	MATERIAL
20302.0121	CEILING MOUNTING KIT C/W HARDWARE	TYPE 1	GALVANIZED STEEL
20301.0165	PENDANT MOUNTING KIT C/W HARDWARE AND EYE-BOLTS	TYPE 2	STAINLESS STEEL
20302.0128	WALL/STRUCTURE MOUNTING KIT C/W HARDWARE	TYPE 3	GALVANIZED STEEL
20301.0163	POLE MOUNTING KIT (SIZE 1 1/2" DIA.) C/W HARDWARE	TYPE 4	STAINLESS STEEL
20301.0162	POLE MOUNTING KIT (SIZE 2" DIA.) C/W HARDWARE	TYPE 4	STAINLESS STEEL
20301.0161	POLE MOUNTING KIT (SIZE 1" DIA.) C/W HARDWARE	TYPE 4	STAINLESS STEEL

REMARK:

Due to the development of the national and international specifications and of the technology, the above technical characteristics showed on this bulletin can be considered as binding on our confirmation only.



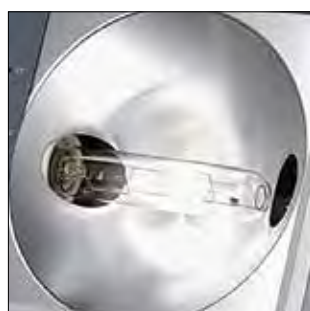
Installation: Safe Area
Insulation Class: I


REFERENCE STANDARDS

	CEI / EN
EXECUTION	INDUSTRIAL WEATHERPROOF
RULES OF COMPLIANCE	EN 60598-1 + A1; EN 60598-2-1
EC Type-Examination Certificate	-
PROTECTION DEGREE	IP66
AMBIENT TEMPERATURE	-20°C ÷ +60°C

Mechanical characteristics

Body	marine grade copper free aluminum
Diffuser	tempered front glass
Support	steel bracket with rotation-proof system
Reflector	anodized and polished 99,85 pure aluminum internal optic
Painting	thermosetting polyester powder resistant to atmospheric agents and corrosion grey RAL 9006 colour
Screws	stainless steel
Gaskets	pure silicon heat resistance
Cable entry	ISO-METRIC complete with cable gland
Internal optic	(S) symmetric optic - (A) asymmetric optic (C) concentrating beam optic


Electrical characteristics

Power supply	conventional ballast 230V - 50Hz (P.F. CORRECTED - $\cos \rho \geq 0,95$)
Lampholders	porcellain E40 size
Internal wiring	high-temperature resistant silicon rubber insulation cables
Terminals	suitable up to 4sq/mm cables

On Request Accessories:

- Control gear with voltage supply different than standard
- Internal optical code (S – A – C), has to be added to the floodlight code

Technical data

CODE	LAMP	TEMPERATURE CLASS (GAS)	TEMPERATURE CLASS (DUSTS)	LAMPHOLDER SIZE	CABLE ENTRY WITH CABLE GLAND	DETAIL
------	------	-------------------------	---------------------------	-----------------	------------------------------	--------

FLOODLIGHT FOR HIGH PRESSURE MERCURY VAPOUR LAMP - POWER SUPPLY 230V 50Hz

SFDA#250HG	250 W	-	-	E-40	1 x ISO-M20	A
SFDA#400HG	400 W					

Note: Available with symmetric optical only

FLOODLIGHT FOR METAL HALIDE LAMP - POWER SUPPLY 230V 50Hz

SFDA#150MH-*	150 W	-	-	E-40	1 x ISO-M20	A
SFDA#250MH-*	250 W					
SFDA#400MH-*	400 W					

FLOODLIGHT FOR HIGH PRESSURE SODIUM LAMP - POWER SUPPLY 230V 50Hz

SFDA#150HPNA-*	150 W	-	-	E-40	1 x ISO-M20	A
SFDA#250HPNA-*	250 W					
SFDA#400HPNA-*	400 W					

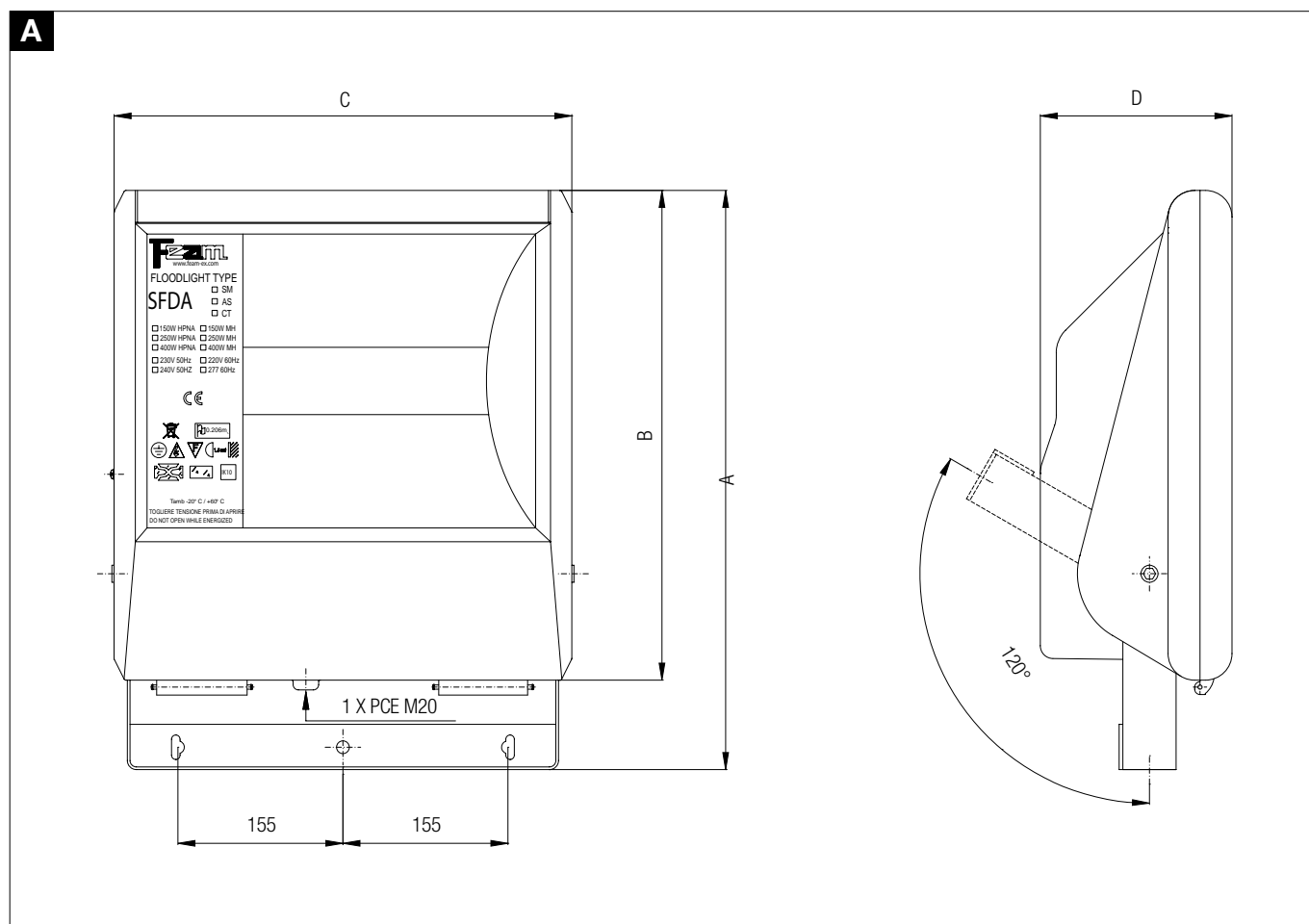
(*) INTERNAL OPTICAL BEAM: (S) SYMMETRIC BEAM - (A) ASYMMETRIC BEAM - (C) CONCENTRATING BEAM

SAMPLE: SFDA#400MH-S = FLOODLIGHT 400W METAL HALIDE WITH SYMMETRIC OPTICAL BEAM

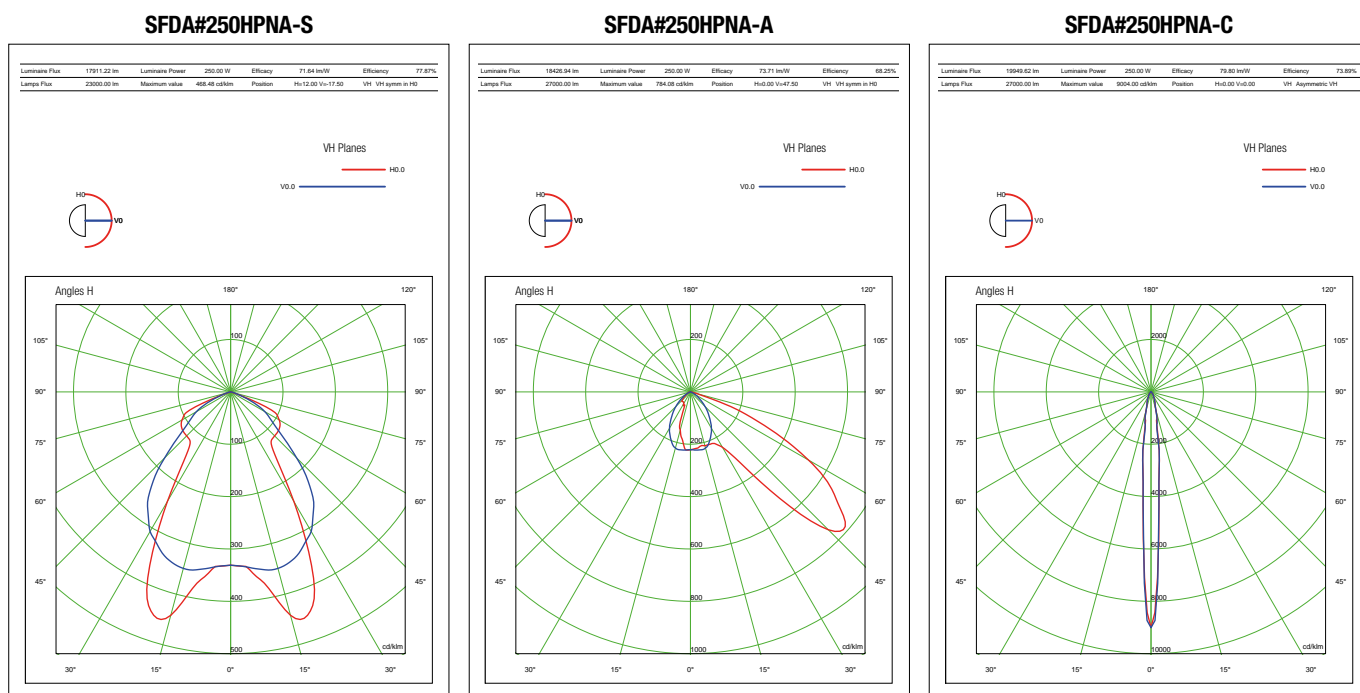
Technical features

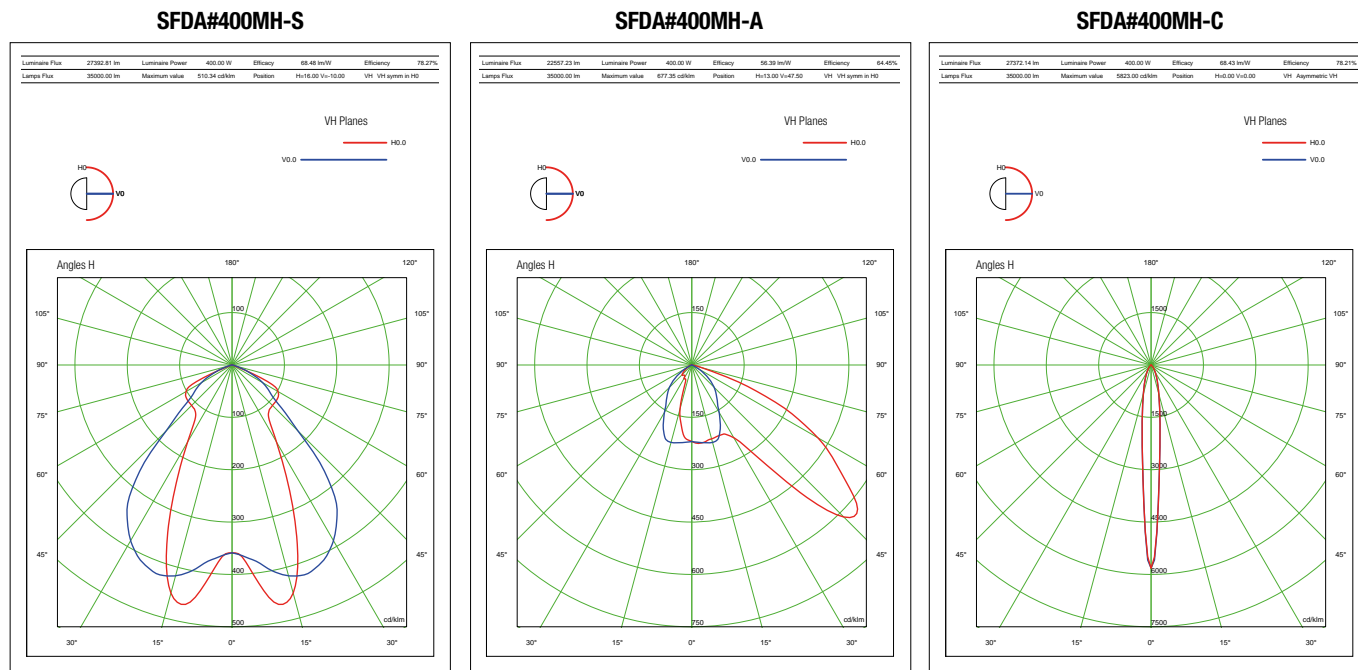
CODE	A [mm]	B [mm]	C [mm]	D [mm]	WEIGHT [Kg]	CABLE ENTRY	DETAIL
SFDA#250HG	544	461	430	180	8,80	1 x ISO-M20	A
SFDA#400HG	544	461	430	180	9,10	1 x ISO-M20	A
SFDA#150MH	544	461	430	180	9,50	1 x ISO-M20	A
SFDA#250MH	544	461	430	180	9,70	1 x ISO-M20	A
SFDA#400MH	544	461	430	180	11,00	1 x ISO-M20	A
SFDA#150HPNA	544	461	430	180	10,50	1 x ISO-M20	A
SFDA#250HPNA	544	461	430	180	11,10	1 x ISO-M20	A
SFDA#400HPNA	544	461	430	180	12,30	1 x ISO-M20	A

Reference details



SFDA Polar diagrams - photometric data



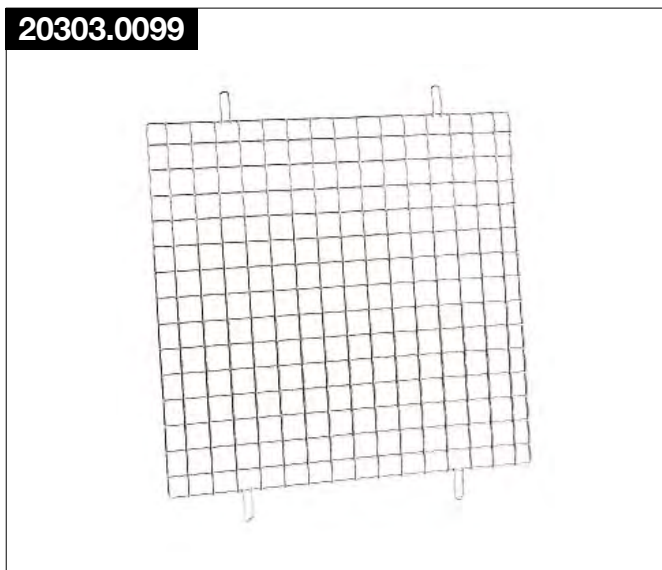


On request accessories

CODE	DESCRIPTION	MATERIAL
20303.0099	PROTECTION GRID	ALUMINIUM
20303.0100	POLE ADAPTER FOR DIA 40÷60MM	PAINTED STEEL

Protection grid

20303.0099



Pole adapter

20303.0100



REMARK:

Due to the development of the national and international specifications and of the technology, the above technical characteristics showed on this bulletin can be considered as binding on our confirmation only.





Installation: Safe Area

Insulation Class: I



REFERENCE STANDARDS

CEI / EN

EXECUTION	INDUSTRIAL WEATHERPROOF
RULES OF COMPLIANCE	EN 60598-1 + A1; EN 60598-2-1
EC Type-Examination Certificate	-
PROTECTION DEGREE	IP66 (in accordance to IEC 60529)
AMBIENT TEMPERATURE	-

Mechanical characteristics

Body	marine grade copper free aluminium
Diffuser	tempered front glass 4mm
Support	adjustable type 3mm thick shaped steel
Painting	external thermosetting polyester powder RAL-7039 colour
Screws	external stainless steel
Gaskets	silicon rubber
Cable entry	Dia. 20.5mm

Electrical characteristics

Power supply	220-240Vac electronic driver 50/60 Hz - C/W surge protection 6/8-10KV and NTC thermal sensor
Lamp type	Samsung LH 181B - CRI>80 CCT 4000K Lifetime: 80.000 hours L80 B10 @ta 25, 50.000 hours L80 B20 @tamax
Internal wiring	high-temperature resistant silicon rubber insulation cables
Terminals	suitable up to 4 sq/mm cables
Optic	SM = without lens, maximum efficiency AS = with asymmetrical lens with vertex at 50deg



On Request Accessories:

- External painting colour on request
- DALI dimmable driver and output reduction Vmidnight system
- CCT 2200/3000/5700 K
- Customized LED current drivers
- Additional optics

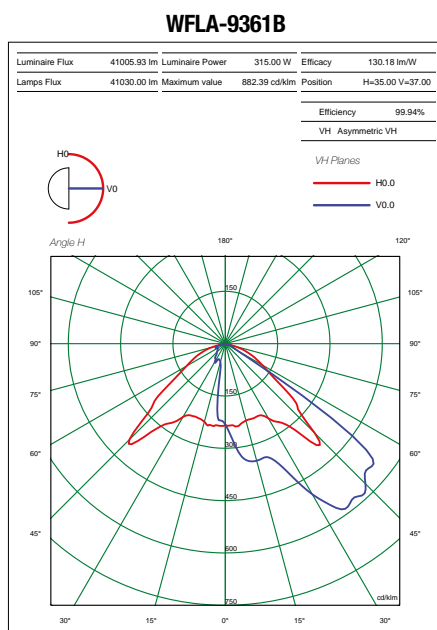
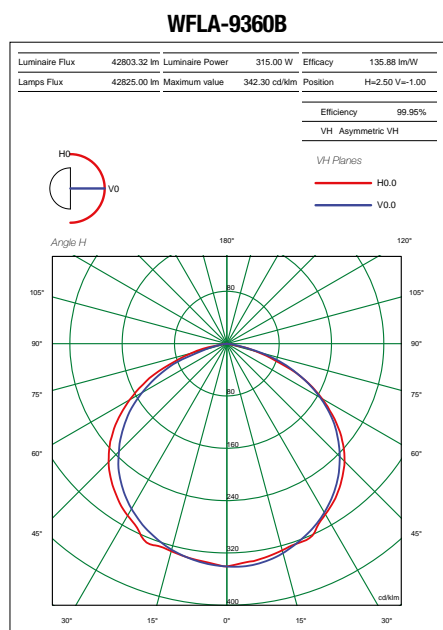
CODE	POWER LAMP	WIRING	TEMPERATURE CLASS (GAS)	TEMPERATURE CLASS (DUSTS)	OUTPUT TYPICAL (lm)	OUTPUT NET (lm)	CABLE ENTRY SIZE	DETAIL
FLOODLIGHTS FOR LED LAMP - POWER SUPPLY 220±240V 50/60Hz								
WFLA-4160B	140 W	64 LED			20800	19035	1 X ISO-M20	A
WFLA-4161B					26000	23790		
WFLA-5200B	175 W	80 LED			31200	28550		
WFLA-5201B					36400	33310		
WFLA-6240B	210 W	96 LED			41600	38070		
WFLA-6241B					46800	42825		
WFLA-7280B	245 W	112 LED						
WFLA-7281B								
WFLA-8320B	280 W	128 LED						
WFLA-8321B								
WFLA-9360B	315 W	144 LED						
WFLA-9361B								

OPTIC BEAM: 0B=SM - WITHOUT LENS / 1B=AS - ASYMMETRICAL LENS

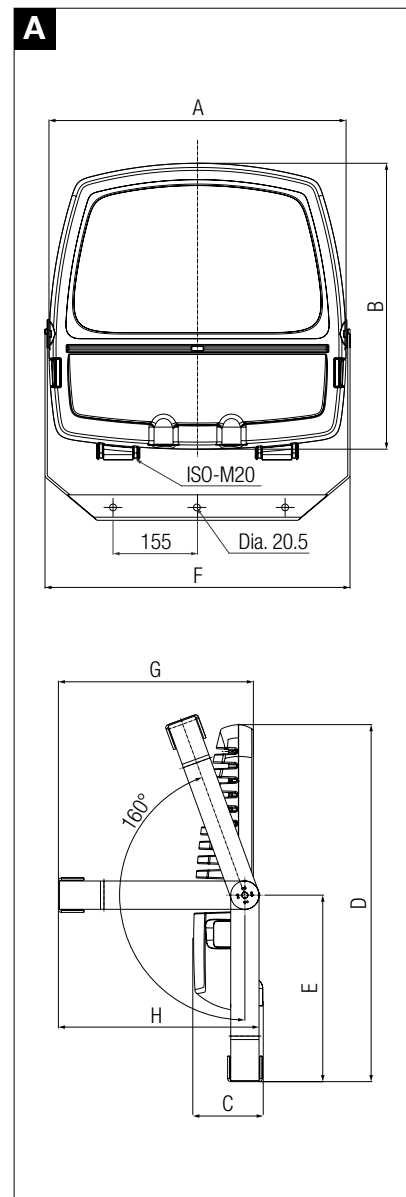
Technical features

CODE	A [mm]	B [mm]	C [mm]	D [mm]	E [mm]	F [mm]	G [mm]	H [mm]	WEIGHT [Kg]	CABLE ENTRY	DETAIL
WFLA-4160B	525	505	122	630,60	329	539	344	354	20,02	1 X ISO-M20	A
WFLA-4161B	525	505	122	630,60	329	539	344	354	20,07	1 X ISO-M20	A
WFLA-5200B	525	505	122	630,60	329	539	344	354	20,46	1 X ISO-M20	A
WFLA-5201B	525	505	122	630,60	329	539	344	354	20,52	1 X ISO-M20	A
WFLA-6240B	525	505	122	630,60	329	539	344	354	20,73	1 X ISO-M20	A
WFLA-6241B	525	505	122	630,60	329	539	344	354	20,80	1 X ISO-M20	A
WFLA-7280B	525	505	122	630,60	329	539	344	354	20,93	1 X ISO-M20	A
WFLA-7281B	525	505	122	630,60	329	539	344	354	21,01	1 X ISO-M20	A
WFLA-8320B	525	505	122	630,60	329	539	344	354	20,96	1 X ISO-M20	A
WFLA-8321B	525	505	122	630,60	329	539	344	354	21,05	1 X ISO-M20	A
WFLA-9360B	525	505	122	630,60	329	539	344	354	21,06	1 X ISO-M20	A
WFLA-9361B	525	505	122	630,60	329	539	344	354	21,22	1 X ISO-M20	A

WFLA LED Installation and mounting details



Reference details



REMARK:

Due to the development of the national and international specifications and of the technology, the above technical characteristics showed on this bulletin can be considered as binding on our confirmation only.





Installation: Safe Area

Insulation Class: I



REFERENCE STANDARDS

CEI / EN

EXECUTION	INDUSTRIAL WEATHERPROOF
RULES OF COMPLIANCE	EN 60598-1 + A1; EN 60598-2-1
EC Type-Examination Certificate	-
PROTECTION DEGREE	IP66 (in accordance to IEC 60529 with silicone grease applied on gasket)
AMBIENT TEMPERATURE	-

Mechanical characteristics

Body	marine grade copper free aluminium
Diffuser	tempered front glass 4mm
Support	adjustable type 3mm thick shaped steel
Painting	external thermosetting polyester powder RAL-7039 colour
Screws	external stainless steel
Gaskets	silicon rubber
Cable entry	Dia. 20.5mm

Electrical characteristics

Power supply	220-240Vac electronic driver 50/60 Hz - C/W surge protection 6/8KV and NTC thermal sensor
Lamp type	Samsung LH 181B - CRI>80 CCT 4000K Lifetime: 80.000 hours L80 B10 @ta 25, 50.000 hours L80 B20 @tamax
Internal wiring	high-temperature resistant silicon rubber insulation cables
Terminals	suitable up to 4 sq/mm cables
Optic	SM = without lens, maximum efficiency AS = with asymmetrical lens vertex at 50deg ST = road lens with asymmetry vertex 30deg



On Request Accessories:

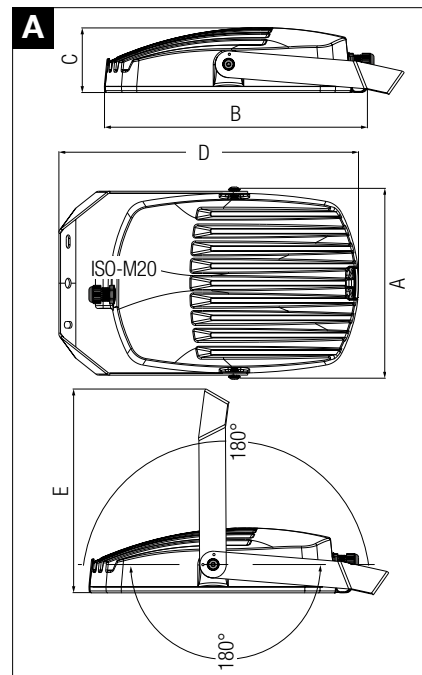
- External painting colour on request
- DALI dimmable driver and output reduction with Vmidnight system
- CCT 2200/3000/5700 K
- Customized LED current drivers
- Additional optics
- SPD 10KV
- Pole mounting

Technical data

CODE	POWER LAMP	WIRING	TEMPERATURE CLASS (GAS)	TEMPERATURE CLASS (DUSTS)	OUTPUT TYPICAL (lm)	OUTPUT NET (lm)	CABLE ENTRY SIZE	DETAIL
FLOODLIGHTS FOR LED LAMP - POWER SUPPLY 220±240V 50/60Hz								
WFLP-1040B	35 W	16 LED	-	-	5200	4760	1 X ISO-M20	A
WFLP-1041B						4560		
WFLP-1042B						4475		
WFLP-2080B	70 W	32 LED			10400	9515		
WFLP-2081B						9120		
WFLP-2082B						8950		
WFLP-3120B	105 W	48 LED			15600	14275		
WFLP-3121B						13670		
WFLP-3122B						13420		
WFLP-4160B	140 W	64 LED	20800	19030				
WFLP-4161B				18235				
WFLP-4162B				17900				

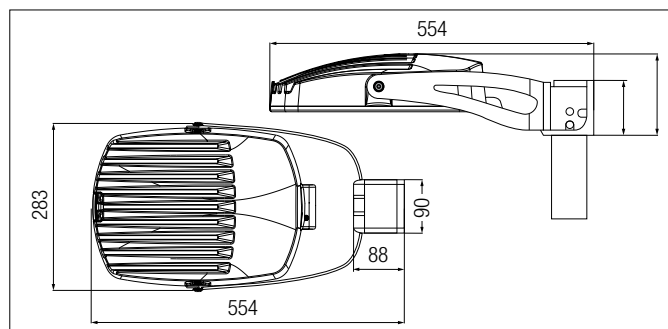
OPTIC BEAM: 0B=SM - WITHOUT LENS / 1B=AS - ASYMMETICAL LENS / 2B=ST - STREET-ROAD LENS

Reference details

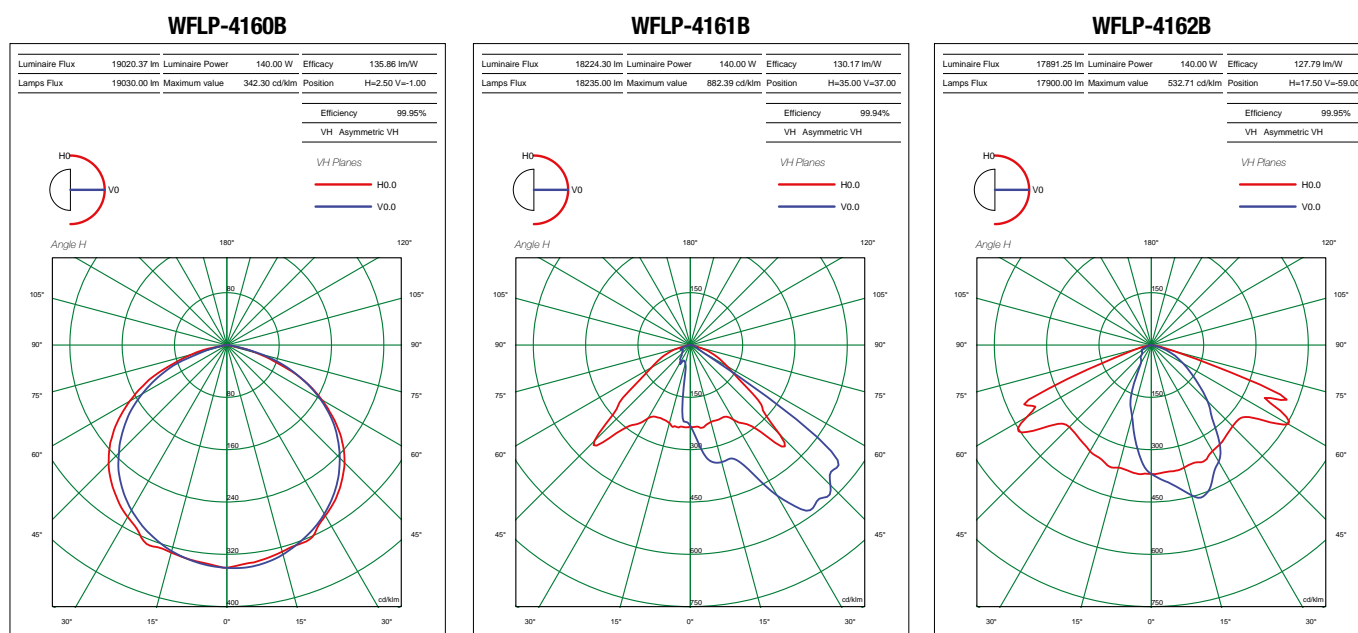


Technical features

CODE	A [mm]	B [mm]	C [mm]	D [mm]	E [mm]	WEIGHT [Kg]	CABLE ENTRY	DETAIL
WFLP-1040B	283	395	97	450	305	6,42	1 X ISO-M20	A
WFLP-1041B	283	395	97	450	305	6,45	1 X ISO-M20	A
WFLP-1042B	283	395	97	450	305	6,44	1 X ISO-M20	A
WFLP-2080B	283	395	97	450	305	6,45	1 X ISO-M20	A
WFLP-2081B	283	395	97	450	305	6,51	1 X ISO-M20	A
WFLP-2082B	283	395	97	450	305	6,50	1 X ISO-M20	A
WFLP-3120B	283	395	97	450	305	6,34	1 X ISO-M20	A
WFLP-3121B	283	395	97	450	305	6,43	1 X ISO-M20	A
WFLP-3122B	283	395	97	450	305	6,42	1 X ISO-M20	A
WFLP-4160B	283	395	97	450	305	6,40	1 X ISO-M20	A
WFLP-4161B	283	395	97	450	305	6,52	1 X ISO-M20	A
WFLP-4162B	283	395	97	450	305	6,51	1 X ISO-M20	A



WFLP LED Installation and mounting details



On request accessories

CODE	DESCRIPTION	MATERIAL
923.503.002	T Pole adapter Ø 60 mm	Painted steel

REMARK:

Due to the development of the national and international specifications and of the technology, the above technical characteristics showed on this bulletin can be considered as binding on our confirmation only.



Installation: Safe Area

Insulation Class: I



REFERENCE STANDARDS

CEI / EN

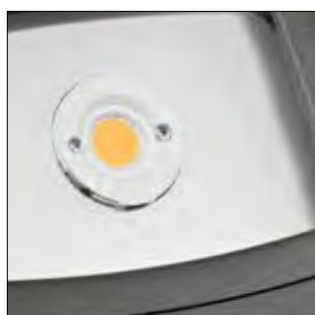
EXECUTION	INDUSTRIAL WEATHERPROOF
RULES OF COMPLIANCE	EN 60598-1 + A1; EN 60598-2-1
EC Type-Examination Certificate	-
PROTECTION DEGREE	IP66 (in accordance to IEC 60529)
AMBIENT TEMPERATURE	-

Mechanical characteristics

Body	marine grade copper free aluminium
Diffuser	tempered front glass 4mm
Support	adjustable type 2mm thick shaped steel
Painting	external thermosetting polyester powder RAL-7039 colour
Screws	external stainless steel
Gaskets	silicon rubber
Cable entry	Dia. 20.5mm

Electrical characteristics

Power supply	220-240Vac electronic driver 50/60 Hz - C/W surge protection 2/4KV
Lampholders	Samsung COB D-Gen3 - CRI>80 CCT 4000K Lifetime: 58.000 hours L80 B10 @ta 25, 50.000 hours L70 B50 @tamax
Internal wiring	high-temperature resistant silicon rubber insulation cables
Terminals	suitable up to 4 sq/mm cables
Optic	SM = without lens, maximum efficiency



On Request Accessories:

- External painting colour on request
- Frosted diffuser glass
- CCT 3000/5700/6500 K
- DALI dimmable driver
- GORE® protective vents system

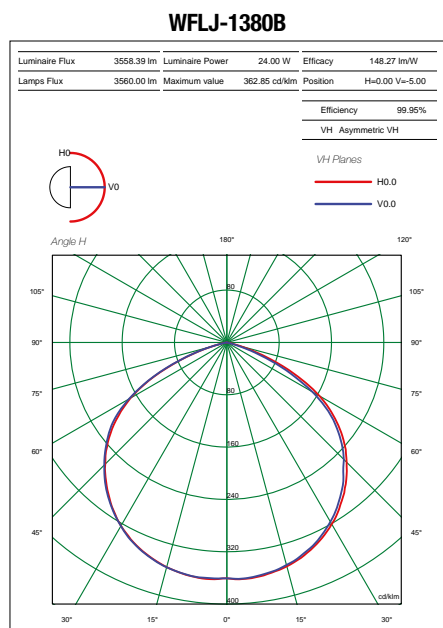
Technical data

CODE	POWER LAMP	WIRING	TEMPERATURE CLASS (GAS)	TEMPERATURE CLASS (DUSTS)	OUTPUT TYPICAL (lm)	OUTPUT NET (lm)	CABLE ENTRY SIZE	DETAIL
FLOODLIGHTS FOR LED LAMP - POWER SUPPLY 220±240V 50/60Hz								
WFLJ-1150B	12 W	1 LED	-	-	2210	1965	1 X ISO-M20	A
WFLJ-1300B	17,5 W				3040	2705		
WFLJ-1380B	24,5 W				4000	3560		
WFLJ-1440B	32 W				5000	4450		
WFLJ-1460B	37 W				6520	5800		

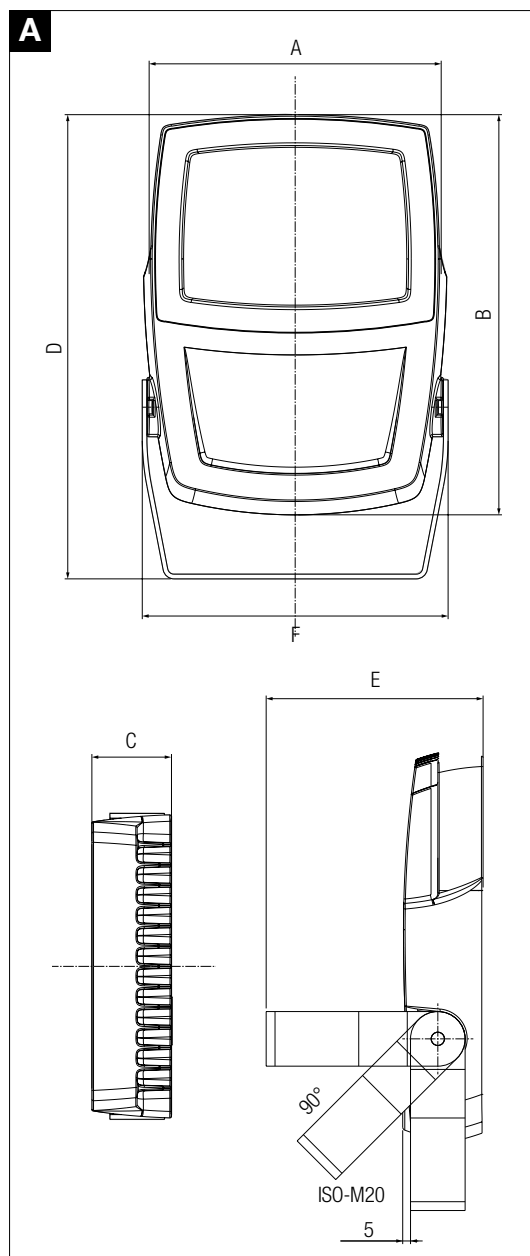
Technical features

CODE	A [mm]	B [mm]	C [mm]	D [mm]	E [mm]	F [mm]	WEIGHT [Kg]	CABLE ENTRY	DETAIL
WFLJ-1150B	187	256	51	297	139	196	2,70	1 X ISO-M20	A
WFLJ-1300B	187	256	51	297	139	196	2,79	1 X ISO-M20	A
WFLJ-1380B	187	256	51	297	139	196	2,81	1 X ISO-M20	A
WFLJ-1440B	187	256	51	297	139	196	2,83	1 X ISO-M20	A
WFLJ-1460B	187	256	51	297	139	196	2,87	1 X ISO-M20	A

WFLJ LED Installation and mounting details



Reference details



REMARK:

Due to the development of the national and international specifications and of the technology, the above technical characteristics showed on this bulletin can be considered as binding on our confirmation only.



Installation: hazardous areas - Zone 2 (Gases) - Zone 22 (Dusts)
Classification: Group II - Category 3G 3D



REFERENCE STANDARDS

Directive 2014/34/EU	
EXECUTION	⊗ II 3 G Ex nR IIC T3/T4 Gc ⊗ II 3 D Ex tc IIIC T200°C/T135°C Dc
RULES OF COMPLIANCE	EN/IEC 60079-0; EN/IEC 60079-15; EN/IEC 60079-31
EC Type-Examination Certificate	IMQ 10 ATEX 032X
PROTECTION DEGREE	IP66
AMBIENT TEMPERATURE	-40°C ÷ +60°C
OTHER AVAILABLE CERTIFICATES	RUSSIAN MARINE CERTIFICATE (RMRS): 19.02519.280 INMETRO: CEPEL 14.2313X

Mechanical characteristics

Body	marine grade copper free aluminium (control gear & lamp body)
Globe	high-temperature resistant borosilicate glass
Painting	external epoxy powders grey RAL-9006 colour
Screws	external stainless steel
Gaskets	silicon rubber

Electrical characteristics

Power supply	conventional ballast 230v - 50hz (p.f.corrected - cos p ≥ 0,95)
Lampholders	porcelain E27/E40 size
Internal wiring	high-temperature resistant silicon rubber insulation cables
Terminals	suitable up to 4 sq/mm cables

On Request Accessories:

- Ceiling mounting kit complete with stainless steel hardware
- Pendant mounting kit complete with stainless steel hardware
- Pole mounting 25° kit 1 1/2" dia. complete with stainless steel hardware
- Wall/Structure mounting kit complete with stainless steel hardware
- Galvanized steel wire protection guard
- Stainless steel wire protection guard
- White stove enamelled aluminium reflectors
- White stove enamelled aluminium reflectors inclined 30°
- Stainless steel AISI 316L reflectors
- External painting colour on request
- Control gear with voltage supply different than standard
- Threaded cable entry different than standard



Technical data

CODE	TYPE LAMP	TEMPERATURE CLASS (GAS)	TEMPERATURE CLASS (DUSTS)	LAMPHOLDER SIZE	DETAIL
LIGHTING FIXTURE FOR HIGH PRESSURE MERCURY VAPOUR LAMP - POWER SUPPLY 230V 50Hz					
EWN2-80HG	80 W	T4	T 135°C	E-27	A
EWN2-125HG	125 W	T3	T 200°C	E-27	A
EWN3-250HG	250W	T4	T 135°C	E-40	A
EWN5-400HG	400 W	T3	T 200°C	E-40	A

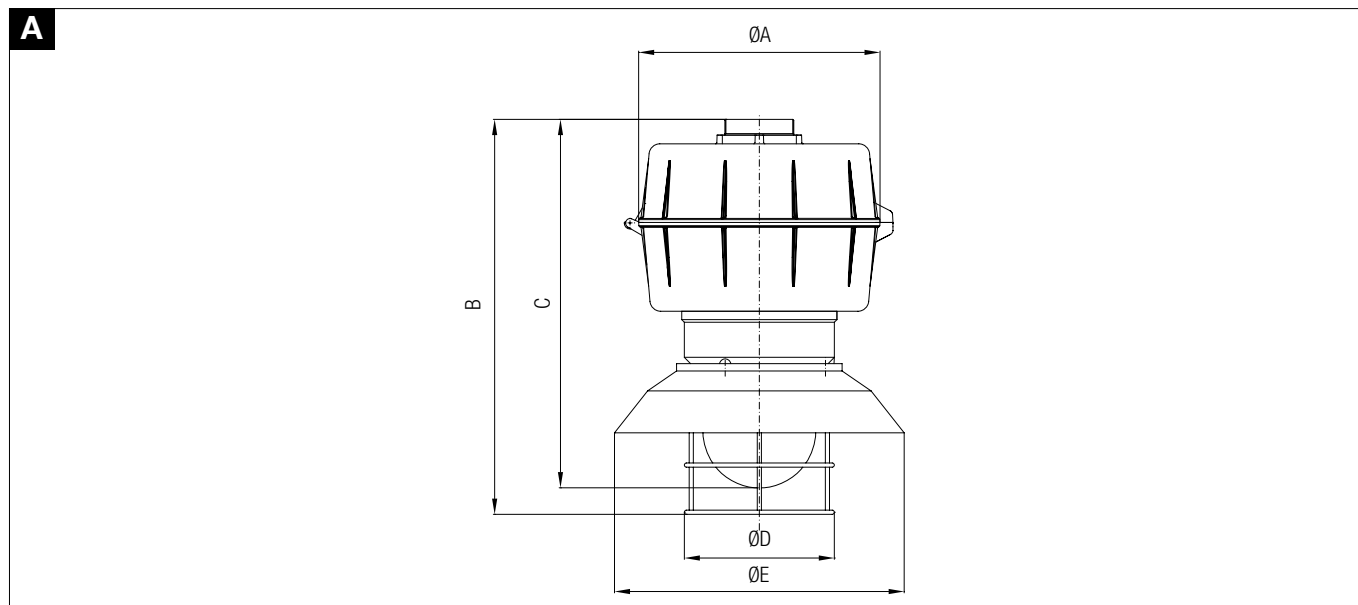
LIGHTING FIXTURE FOR METAL HALIDE LAMP - POWER SUPPLY 230V 50Hz					
EWN2-70MH	70 W	T4	T 135°C	E-27	A
EWN2-100MH	100 W	T4	T 135°C	E-27	A
EWN2-150MH	150 W	T3	T 200°C	E-27	A
EWN3-175MH	175 W	T3	T 200°C	E-40	A
EWN3-250MH	250 W	T3	T 200°C	E-40	A
EWN5-400MH	400 W	T3	T 200°C	E-40	A

LIGHTING FIXTURE FOR HIGH PRESSURE SODIUM LAMP - POWER SUPPLY 230V 50Hz					
EWN2-70HPS	70 W	T4	T 135°C	E-27	A
EWN3-100HPS	100 W	T4	T 135°C	E-40	A
EWN3-150HPS	150 W	T3	T 200°C	E-40	A
EWN3-250HPS	250 W	T3	T 200°C	E-40	A
EWN5-400HPS	400 W	T3	T 200°C	E-40	A

Technical features

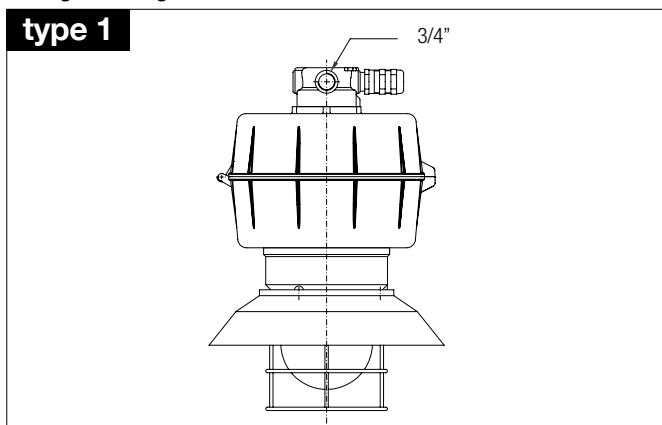
CODE	A [mm]	B [mm]	C [mm]	Ø D [mm]	Ø E [mm]	WEIGHT [Kg]	DETAIL
EWN2	280	430	415	145	280	8,5	A
EWN3	280	510	480	190	402	9,5	A
EWN5	280	570	545	255	515	10	A

Reference details



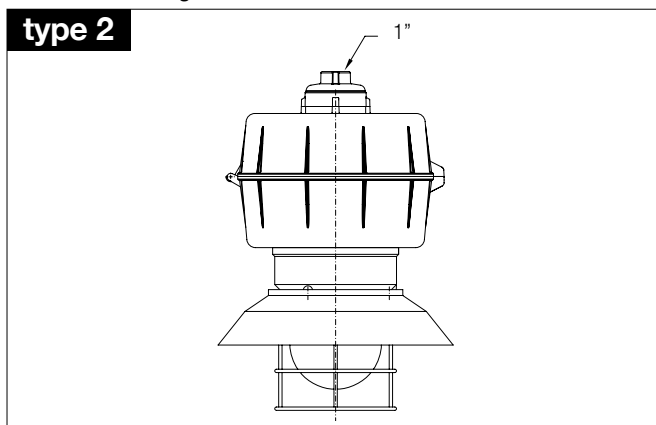
Ceiling mounting

type 1



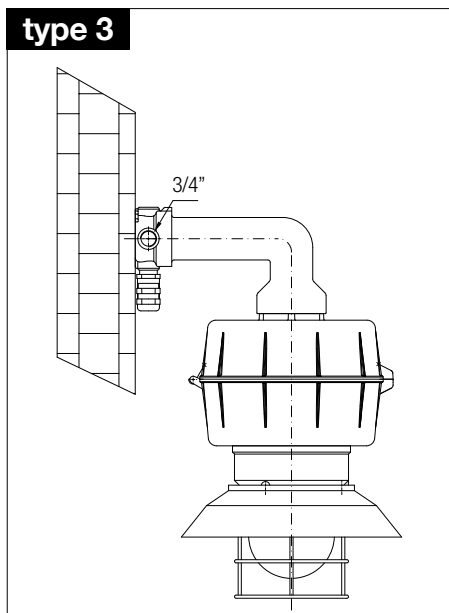
Pendant mounting

type 2



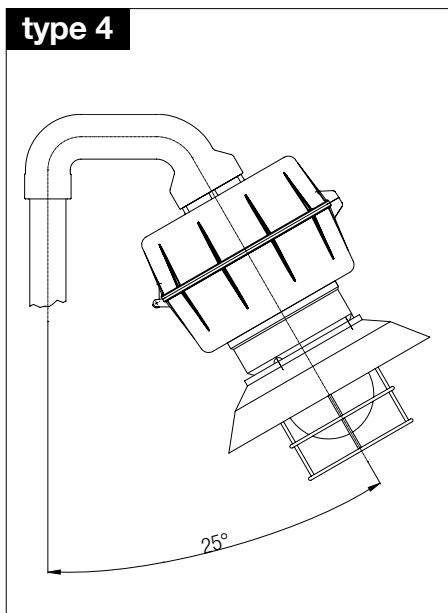
Wall/structure mounting

type 3



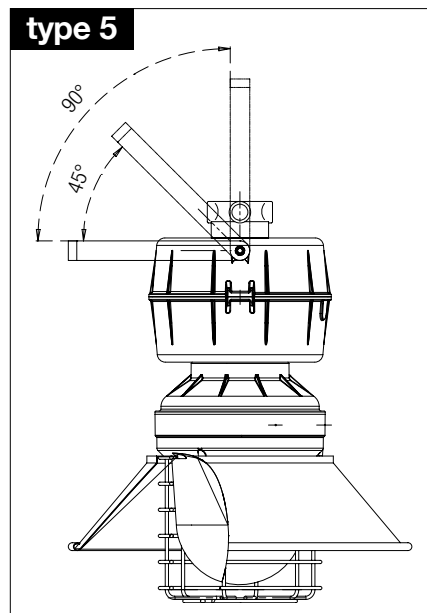
Pole mounting 25°

type 4



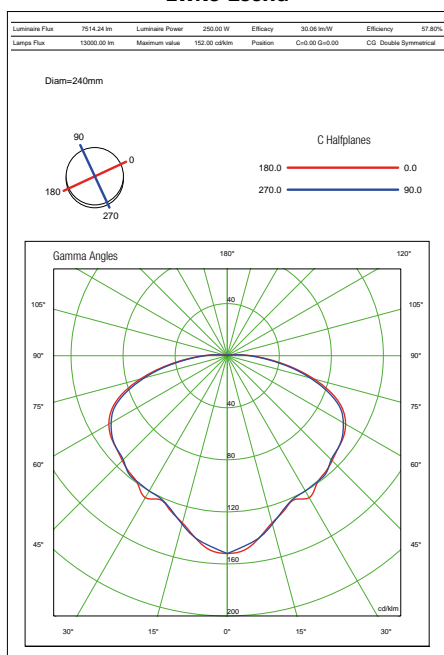
Universal mounting inst. with adjustable bracket

type 5

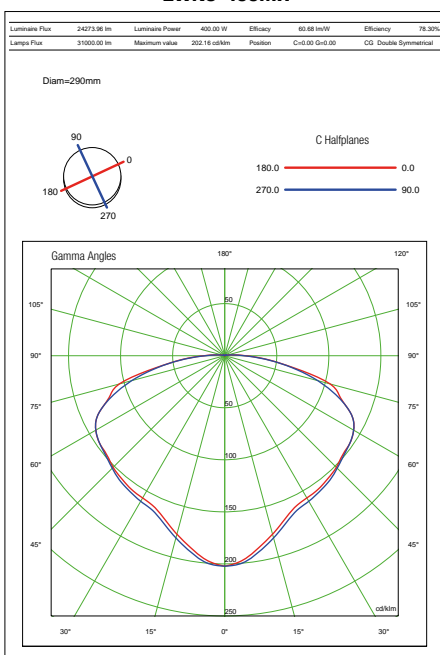


EWN Polar diagrams - photometric data

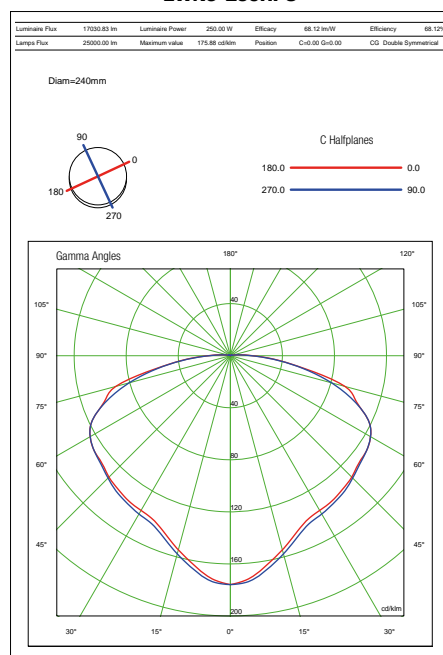
EWN3-250HG



EWN5-400MH



EWN3-250HPS



On request accessories

CODE	DESCRIPTION	INSTALLATION	MATERIAL
20302.0071	EVAC 200 / 201 SIZE STANDARD REFLECTOR		WHITE STOVE ENAMELLED ALUM.
20302.0072	EVAC 300 / 301 SIZE STANDARD REFLECTOR		WHITE STOVE ENAMELLED ALUM.
20302.0073	EVAC 500 / 501 SIZE STANDARD REFLECTOR		WHITE STOVE ENAMELLED ALUM.
20302.0026	EVAC 200 / 201 SIZE STAINLESS STEEL REFLECTOR		STAINLESS STEEL AISI 316L
20302.0027	EVAC 300 / 301 SIZE STAINLESS STEEL REFLECTOR		STAINLESS STEEL AISI 316L
20302.0028	EVAC 500 / 501 SIZE STAINLESS STEEL REFLECTOR		STAINLESS STEEL AISI 316L
20302.0030	EVAC 200 / 201 SIZE STAINLESS STEEL REFLECTOR INCLINED 45°		WHITE STOVE ENAMELLED ALUM.
20302.0031	EVAC 300 / 301 SIZE STAINLESS STEEL REFLECTOR INCLINED 45°		WHITE STOVE ENAMELLED ALUM.
20302.0032	EVAC 500 / 501 SIZE STAINLESS STEEL REFLECTOR INCLINED 45°		WHITE STOVE ENAMELLED ALUM.
20302.0075	EVAC 200 / 201 SIZE STANDARD PROTECTION GUARD		GALVANIZED STEEL
20302.0076	EVAC 300 / 301 SIZE STANDARD PROTECTION GUARD		GALVANIZED STEEL
20302.0077	EVAC 500 / 501 SIZE STANDARD PROTECTION GUARD		GALVANIZED STEEL
20302.0038	EVAC 200 / 201 SIZE STAINLESS STEEL PROTECTION GUARD		STAINLESS STEEL AISI 316L
20302.0039	EVAC 300 / 301 SIZE STAINLESS STEEL PROTECTION GUARD		STAINLESS STEEL AISI 316L
20302.0040	EVAC 500 / 501 SIZE STAINLESS STEEL PROTECTION GUARD		STAINLESS STEEL AISI 316L
20303.0102	CEILING MOUNTING KIT C/W HARDWARE	TYPE 1	ALUMINIUM
20303.0103	PENDANT MOUNTING KIT	TYPE 2	ALUMINIUM
20303.0104	WALL / STRUCTURE MOUNTING KIT	TYPE 3	ALUMINIUM
20303.0108	2" DIA.SIZE POLE MONTING KIT C/W HARDWARE	TYPE 4	ALUMINIUM
20303.0107	1-1/2" DIA.SIZE POLE MONTING KIT C/W HARDWARE	TYPE 4	ALUMINIUM
20303.0106	1" DIA.SIZE POLE MONTING KIT C/W HARDWARE	TYPE 4	ALUMINIUM
20303.0105	UNIVERSAL MOUNTING INST. WITH ADJUSTABLE BRACKET C/W HARDWARE	TYPE 5	STAINLESS STEEL AISI 316L

REMARK:

Due to the development of the national and international specifications and of the technology, the above technical characteristics showed on this bulletin can be considered as binding on our confirmation only.



Installation: Safe Area
Insulation Class: I


LIGHTING FIXTURE

	CEI / EN
EXECUTION	INDUSTRIAL WEATHERPROOF
RULES OF COMPLIANCE	EN 60598-1 + A1; EN 60598-2-1
EC Type-Examination Certificate	-
PROTECTION DEGREE	IP66
AMBIENT TEMPERATURE	-40°C ÷ +60°C

Mechanical characteristics

Body	marine grade copper free aluminium (control gear & lamp body)
Globe	high-temperature resistant borosilicate glass
Painting	external epoxy powders grey RAL-9006 colour
Screws	external stainless steel
Gaskets	silicon rubber

Electrical characteristics

Power supply	conventional ballast 230v - 50hz (p.f.corrected - $\cos \rho \geq 0,95$)
Lampholders	porcelain e27/e40 size
Internal wiring	high-temperature resistant silicon rubber insulation cables
Terminals	suitable up to 4 sq/mm cables

On Request Accessories:

- Ceiling mounting kit complete with stainless steel hardware
- Pendant mounting kit complete with stainless steel hardware
- Pole mounting 25° kit 1 1/2" dia. complete with stainless steel hardware
- Wall/Structure mounting kit complete with stainless steel hardware
- Galvanized steel wire protection guard
- Stainless steel wire protection guard
- White stove enamelled aluminium reflectors Ceiling mounting kit complete with stainless steel hardware
- White stove enamelled aluminium reflectors
- White stove enamelled aluminium reflectors inclined 30°
- Stainless steel AISI 316L reflectors
- External painting colour on request
- Control gear with voltage supply different than standard
- Threaded cable entry different than standard



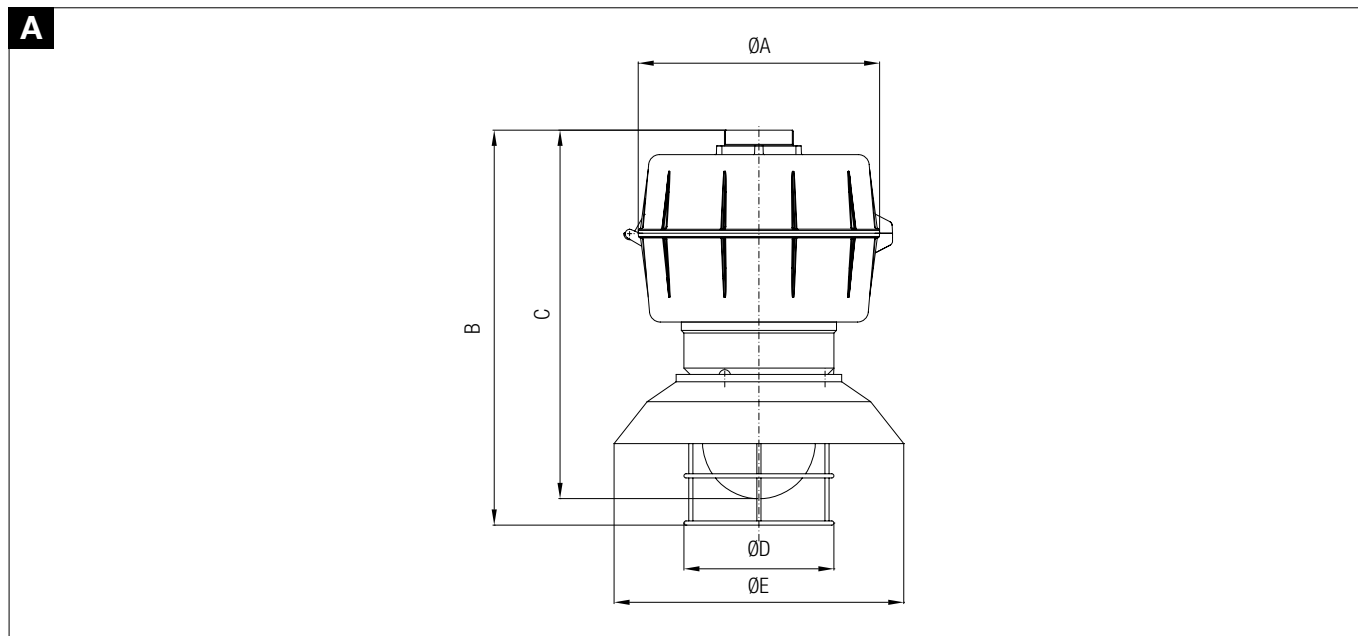
Technical data

CODE	LAMP TYPE	TEMPERATURE CLASS (GAS)	TEMPERATURE CLASS (DUSTS)	LAMPHOLDER SIZE	DETAIL
LIGHTING FIXTURE FOR HIGH PRESSURE MERCURY VAPOUR LAMP - POWER SUPPLY 230V 50Hz					
EW2-80HG	80 W	-	-	E-27	A
EW2-125HG	125 W	-	-	E-27	A
EW3-250HG	250W	-	-	E-40	A
EW5-400HG	400 W	-	-	E-40	A
LIGHTING FIXTURE FOR METAL HALIDE LAMP - POWER SUPPLY 230V 50Hz					
EW2-70MH	70 W	-	-	E-27	A
EW2-100MH	100 W	-	-	E-27	A
EW2-150MH	150 W	-	-	E-27	A
EW3-175MH	175 W	-	-	E-40	A
EW3-250MH	250 W	-	-	E-40	A
EW5-400MH	400 W	-	-	E-40	A
LIGHTING FIXTURE FOR HIGH PRESSURE SODIUM LAMP - POWER SUPPLY 230V 50Hz					
EW2-70HPS	70 W	-	-	E-27	A
EW3-100HPS	100 W	-	-	E-40	A
EW3-150HPS	150 W	-	-	E-40	A
EW3-250HPS	250 W	-	-	E-40	A
EW5-400HPS	400 W	-	-	E-40	A

Technical features

CODE	A [mm]	B [mm]	C [mm]	Ø D [mm]	Ø E [mm]	WEIGHT [Kg]	DETAIL
EW2	280	430	415	145	280	8,5	A
EW3	280	510	480	190	402	9,5	A
EW5	280	570	545	255	515	10	A

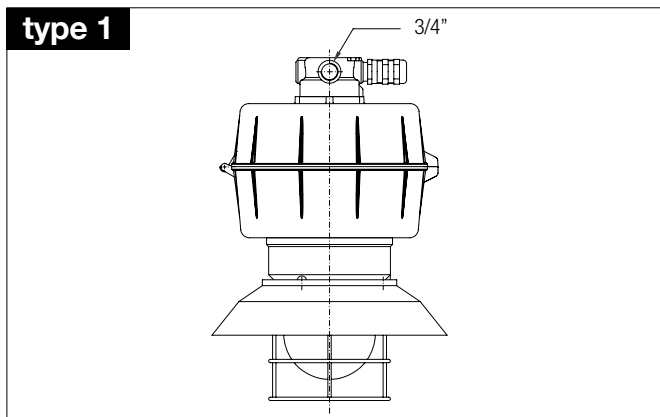
Reference details





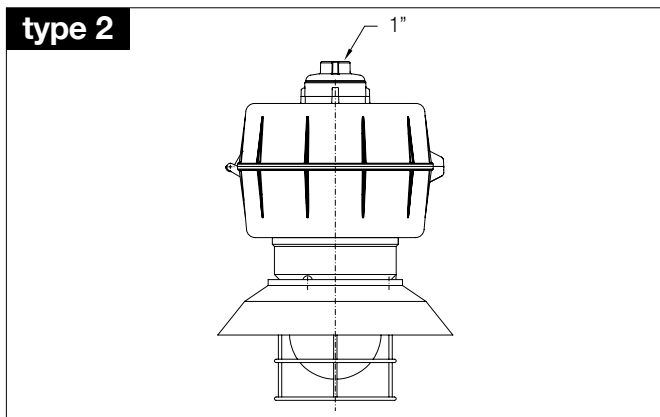
Ceiling mounting

type 1



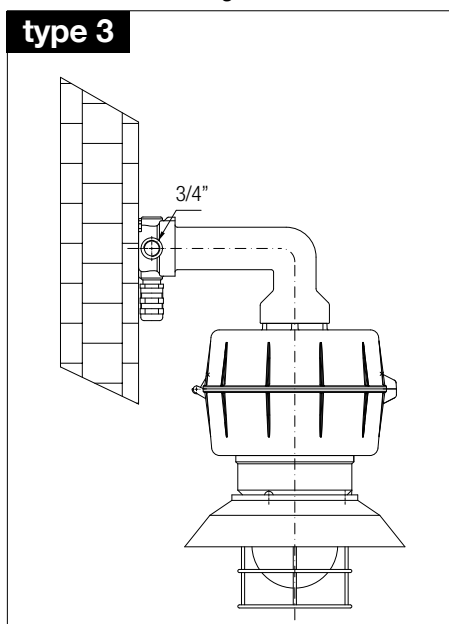
Pendant mounting

type 2



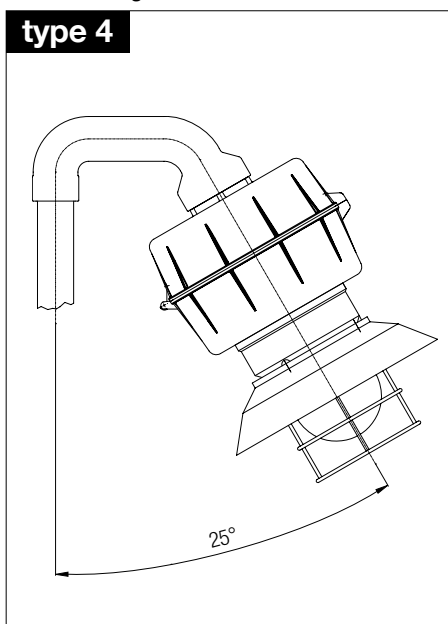
Wall/structure mounting

type 3



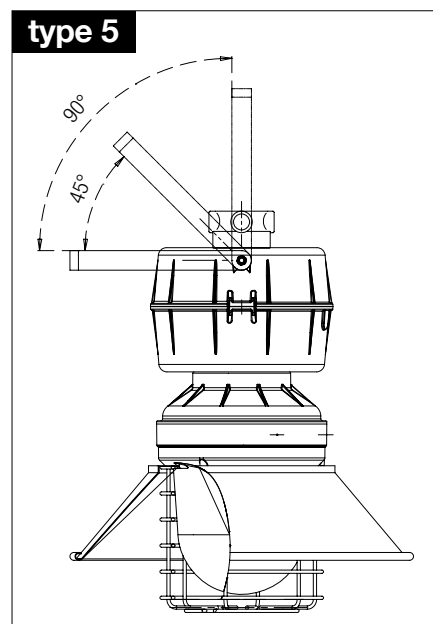
Pole mounting 25°

type 4



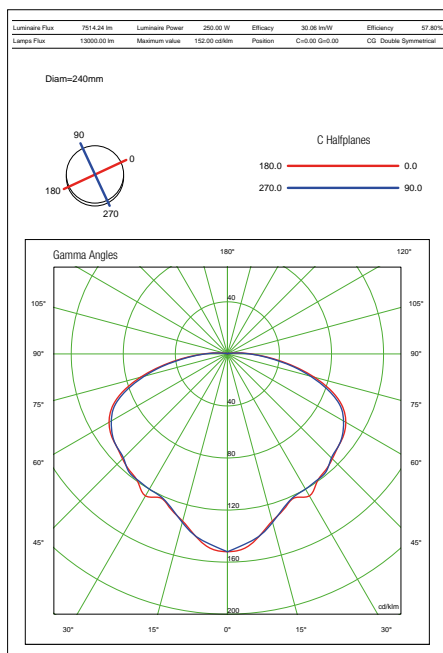
Universal mounting inst. with adjustable bracket

type 5

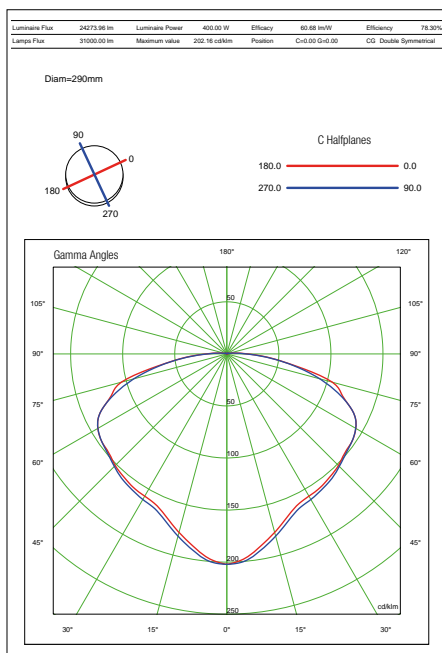


EW Polar diagrams - photometric data

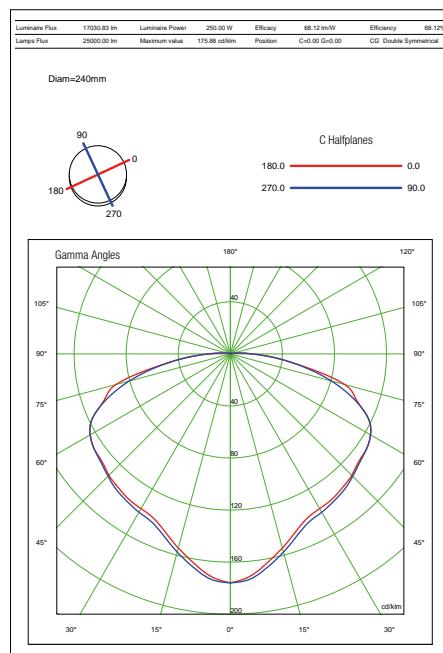
EW3-250HG



EW5-400MH



EW3-250HPS



On request accessories

CODE	DESCRIPTION	INSTALLATION	MATERIAL
20302.0071	EVAC 200 / 201 SIZE STANDARD REFLECTOR		WHITE STOVE ENAMELLED ALUM.
20302.0072	EVAC 300 / 301 SIZE STANDARD REFLECTOR		WHITE STOVE ENAMELLED ALUM.
20302.0073	EVAC 500 / 501 SIZE STANDARD REFLECTOR		WHITE STOVE ENAMELLED ALUM.
20302.0026	EVAC 200 / 201 SIZE STAINLESS STEEL REFLECTOR		STAINLESS STEEL AISI 316L
20302.0027	EVAC 300 / 301 SIZE STAINLESS STEEL REFLECTOR		STAINLESS STEEL AISI 316L
20302.0028	EVAC 500 / 501 SIZE STAINLESS STEEL REFLECTOR		STAINLESS STEEL AISI 316L
20302.0130	EVAC 200 / 201 SIZE STAINLESS STEEL REFLECTOR INCLINED 45°		WHITE STOVE ENAMELLED ALUM.
20302.0031	EVAC 300 / 301 SIZE STAINLESS STEEL REFLECTOR INCLINED 45°		WHITE STOVE ENAMELLED ALUM.
20302.0032	EVAC 500 / 501 SIZE STAINLESS STEEL REFLECTOR INCLINED 45°		WHITE STOVE ENAMELLED ALUM.
20302.0075	EVAC 200 / 201 SIZE STANDARD PROTECTION GUARD		GALVANIZED STEEL
20302.0076	EVAC 300 / 301 SIZE STANDARD PROTECTION GUARD		GALVANIZED STEEL
20302.0077	EVAC 500 / 501 SIZE STANDARD PROTECTION GUARD		GALVANIZED STEEL
20302.0038	EVAC 200 / 201 SIZE STAINLESS STEEL PROTECTION GUARD		STAINLESS STEEL AISI 316L
20302.0039	EVAC 300 / 301 SIZE STAINLESS STEEL PROTECTION GUARD		STAINLESS STEEL AISI 316L
20302.0040	EVAC 500 / 501 SIZE STAINLESS STEEL PROTECTION GUARD		STAINLESS STEEL AISI 316L
20303.0102	CEILING MOUNTING KIT C/W HARDWARE	TYPE 1	ALUMININIUM
20303.0103	PENDANT MOUNTING KIT	TYPE 2	ALUMININIUM
20303.0104	WALL / STRUCTURE MOUNTING KIT	TYPE 3	ALUMININIUM
20303.0108	2" DIA.SIZE POLE MONTING KIT C/W HARDWARE	TYPE 4	ALUMININIUM
20303.0107	1-1/2" DIA.SIZE POLE MONTING KIT C/W HARDWARE	TYPE 4	ALUMININIUM
20303.0106	1" DIA.SIZE POLE MONTING KIT C/W HARDWARE	TYPE 4	ALUMININIUM
20303.0105	UNIVERSAL MOUNTING INST. WITH ADJUSTABLE BRACKET C/W HARDWARE	TYPE 5	STAINLESS STEEL AISI 316L

REMARK:

Due to the development of the national and international specifications and of the technology, the above technical characteristics showed on this bulletin can be considered as binding on our confirmation only.





Installation: Safe Area
Insulation Class: I



LIGHTING FIXTURE

	CEI / EN
EXECUTION	INDUSTRIAL WEATHERPROOF
RULES OF COMPLIANCE	EN 60598-1 + A1; EN 60598-2-1; EN 60598-2-3
EC Type-Examination Certificate	-
PROTECTION DEGREE	IP66
AMBIENT TEMPERATURE	-

Mechanical characteristics

Body	die casting aluminium
Wiring plate	reinforced nylon
Painting	thermosetting polyester powder (grey RAL-7039)
Protection glass	Tempered 4mm
Fixing holder	Suitable for ø60mm poles - adapter is required for ø42mm poles

Electrical characteristics

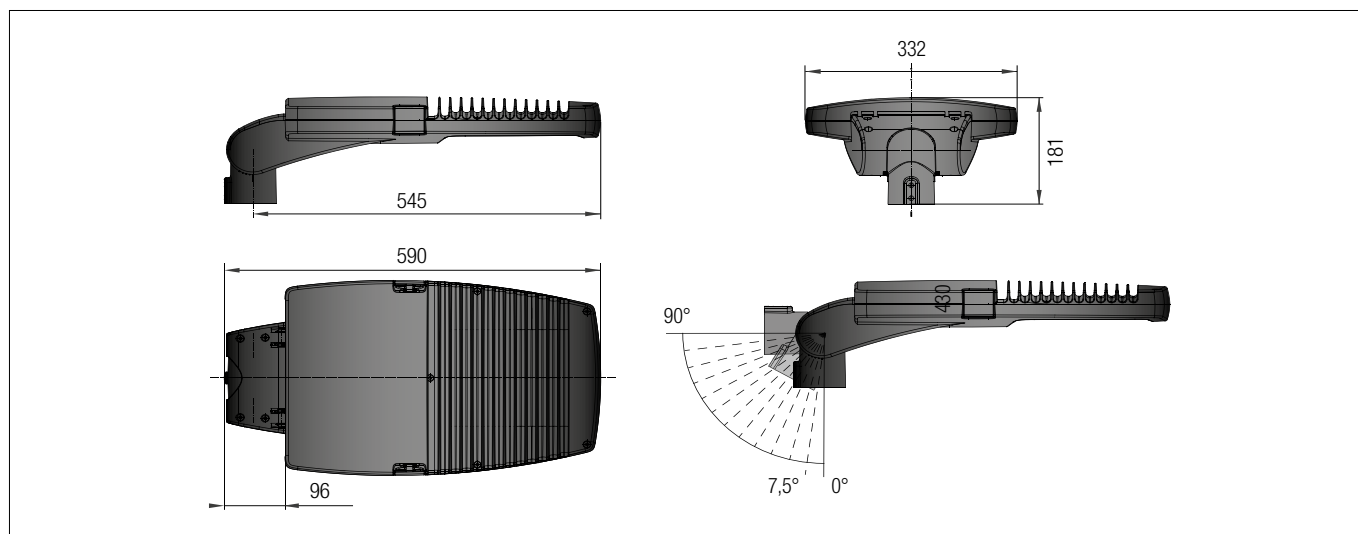
Power supply	electronic ballast 220 - 240 V 50/60 Hz, surge protection 6/8KV, NTC thermal sensor
Lamp type	Samsung LH 181B - CRI>80 CCT 4000K Lifetime: 80.000 hours L80 B10 @ta 25, 50.000 hours L80 B10 @tamax 30 deg vertex secondary lenses
Internal wiring	high-temperature resistant silicon rubber insulation cables



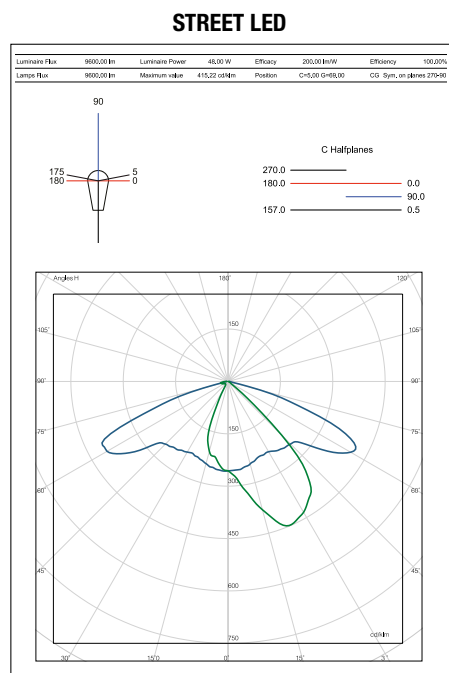
Technical data

CODE	LED UNITS & POWER	NOMINAL OUTPUT	NET OUTPUT	weight [kg]	DETAIL
LED LIGHTING FIXTURES - POWER SUPPLY 230V-50Hz					
CLC_STREET-LED-32	16 led - 35W	5200 lm	4475 lm	8.97	A
CLC_STREET-LED-64	32 led - 70W	10400 lm	8950 lm	9.77	A
CLC_STREET-LED-96	48 led - 105W	15600 lm	13420 lm	9.77	A
CLC_STREET-LED-128	64 led - 140W	20800 lm	17900 lm	9.89	A

Reference details



STREET LED Polar diagrams – photometric data





Installation: Safe Area
Insulation Class: I



LIGHTING FIXTURE

	CEI / EN
EXECUTION	INDUSTRIAL WEATHERPROOF
RULES OF COMPLIANCE	EN 60598-1 + A1; EN 60598-2-1; EN 60598-2-3
EC Type-Examination Certificate	-
PROTECTION DEGREE	IP66
AMBIENT TEMPERATURE	-

Mechanical characteristics

Body	die-cast aluminum
Diffuser	tempered glass 4mm thickness
Anchorage	cured poles Ø45-60mm (Ø40 with adapter)
Reflector	CUT-OFF optic - anodized and polished 99,85 pure aluminum
Painting	thermosetting polyester powder resistant to atmospheric agents and corrosion grey RAL 7038/7039 colour
Screws	stainless steel
Gaskets	silicon rubber gasket running around the body
Cable entry	from pole

Electrical characteristics

Power supply	conventional ballast 230V - 50Hz (P.F. CORRECTED - $\cos \rho \geq 0,95$)
Lampholders	porcelain E27 - E40 size
Internal wiring	high-temperature resistant silicon rubber insulation cables
Terminals	suitable up to 4sq/mm cables



On Request Accessories:

- Electronic ballast with voltage supply different than standard
- Insulation class II
- Angle/wall installation bracket
- Pole adapter - dia. 40 mm

Technical data

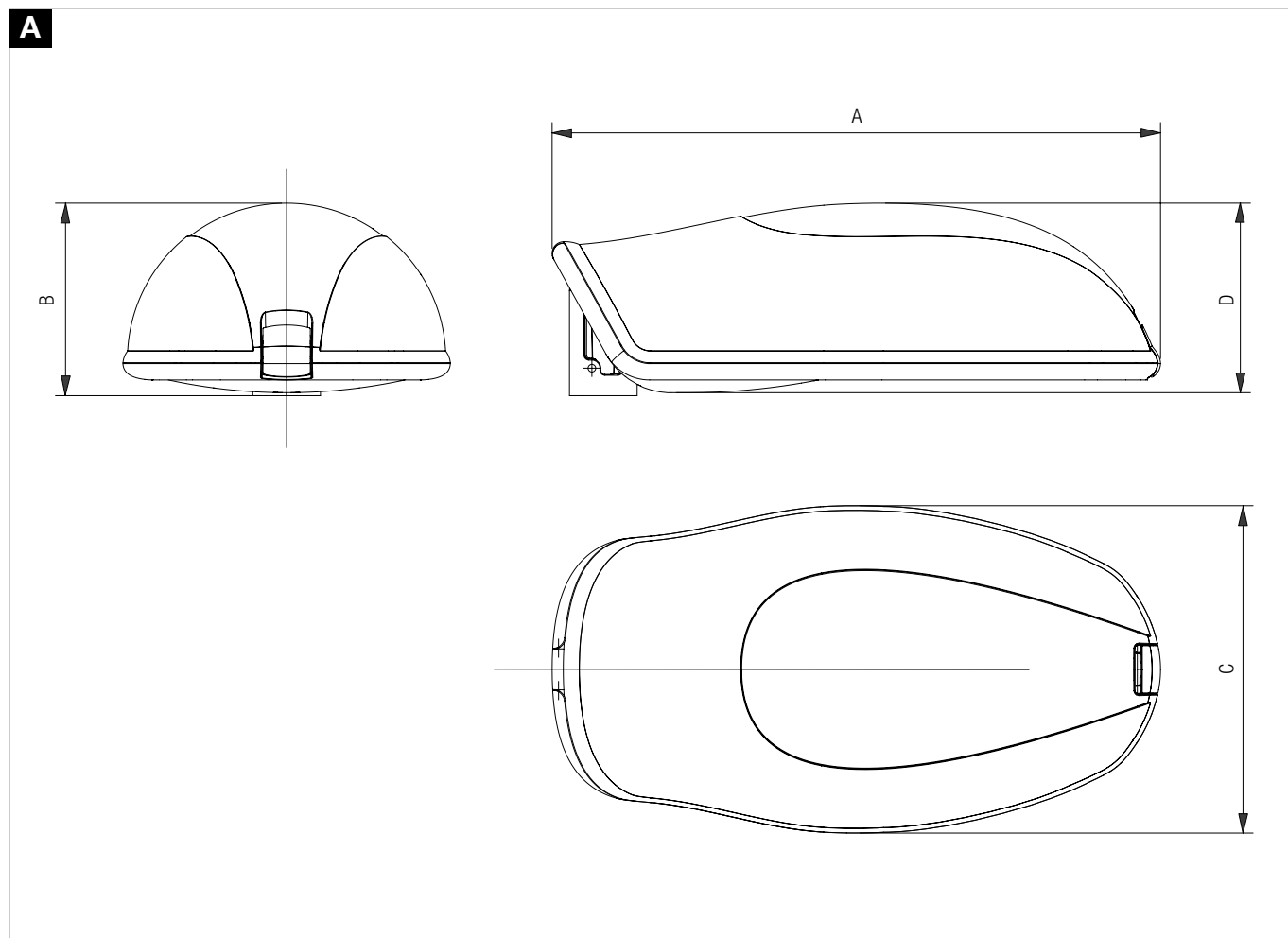
CODE	LAMP TYPE	TEMPERATURE CLASS (GAS)	TEMPERATURE CLASS (DUSTS)	LAMPHOLDER SIZE	DETAIL
LIGHTING FIXTURE FOR HIGH PRESSURE MERCURY VAPOUR LAMP - POWER SUPPLY 230V 50Hz					
M400-125HG	125 W	-	-	E-27	A
M400-250HG	250 W	-	-	E-40	A
M400-400HG	400 W	-	-	E-40	A
LIGHTING FIXTURE FOR METAL HALIDE LAMP - POWER SUPPLY 230V 50Hz					
M400-70MH	70 W	-	-	E-27	A
M400-100MH	100 W	-	-	E-27	A
M400-150MH	150 W	-	-	E-27	A
M400-250MH	250 W	-	-	E-40	A
M400-400MH	400 W	-	-	E-40	A
LIGHTING FIXTURE FOR HIGH PRESSURE SODIUM LAMP - POWER SUPPLY 230V 50Hz					
M400-70HPNA	70 W	-	-	E-27	A
M400-100HPNA	100 W	-	-	E-40	A
M400-150HPNA	150 W	-	-	E-40	A
M400-250HPNA	250 W	-	-	E-40	A
M400-400HPNA	400 W	-	-	E-40	A

M400 Technical features

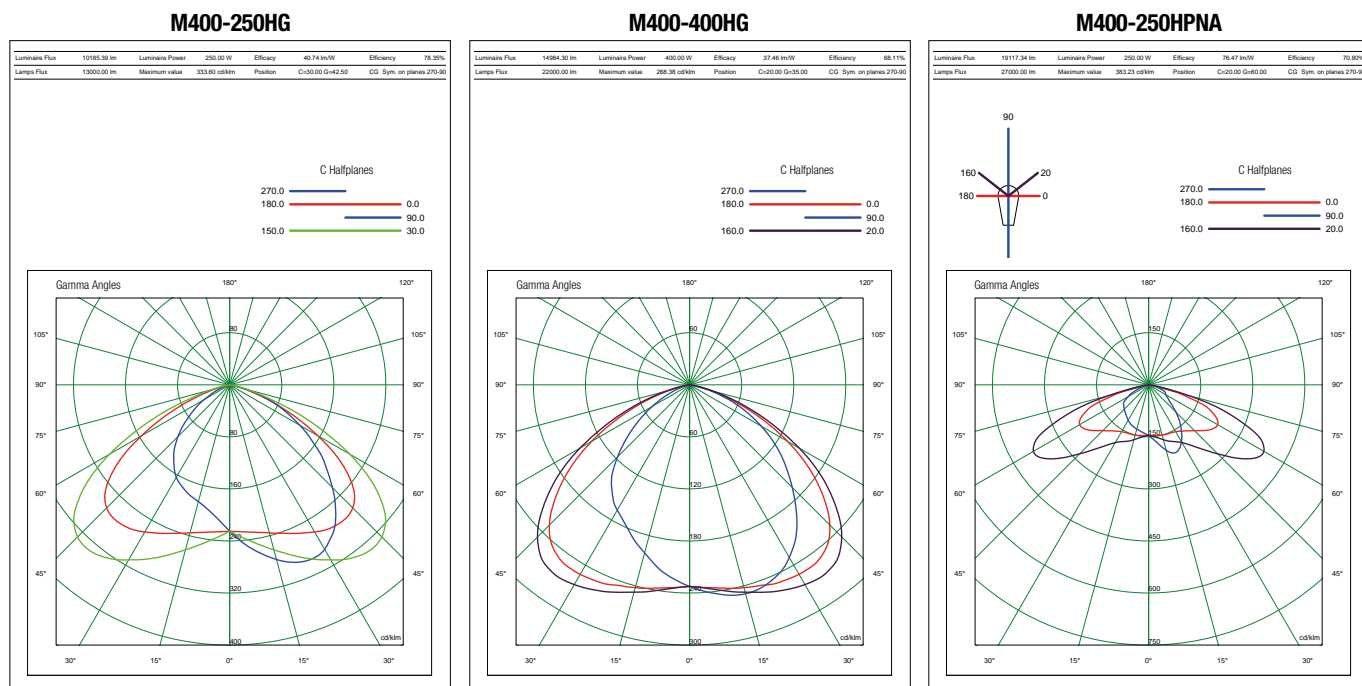
CODE	A [mm]	B [mm]	C [mm]	D [mm]	WEIGHT [Kg]	DETAIL
M400-125HG	719	228	387	224	10,2	A
M400-250HG	719	228	387	224	11,5	A
M400-400HG	719	228	387	224	12,9	A
M400-70MH	719	228	387	224	10,4	A
M400-100MH	719	228	387	224	10,4	A
M400-150MH	719	228	387	224	11,7	A
M400-250MH	719	228	387	224	11,7	A
M400-400MH	719	228	387	224	13	A
M400-70HPNA	719	228	387	224	10,5	A
M400-100HPNA	719	228	387	224	10,5	A
M400-150HPNA	719	228	387	224	11,7	A
M400-250HPNA	719	228	387	224	13	A
M400-400HPNA	719	228	387	224	14,3	A



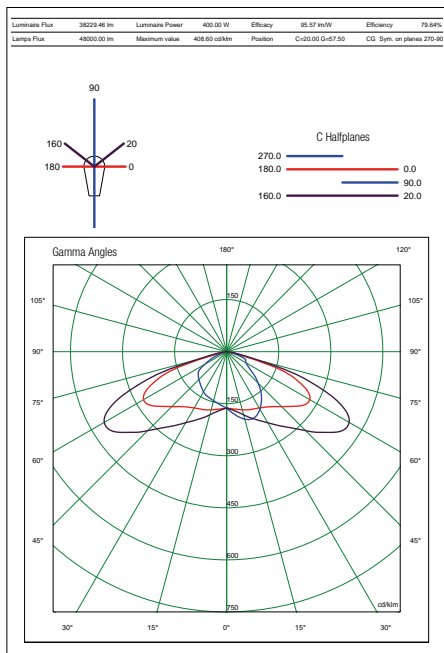
Reference details



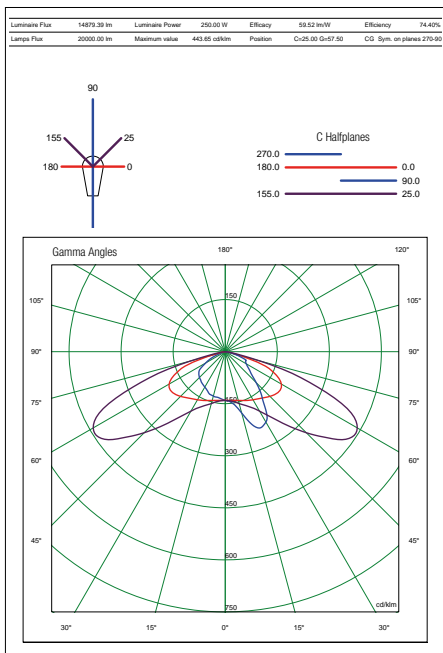
M400 Polar diagrams - photometric data



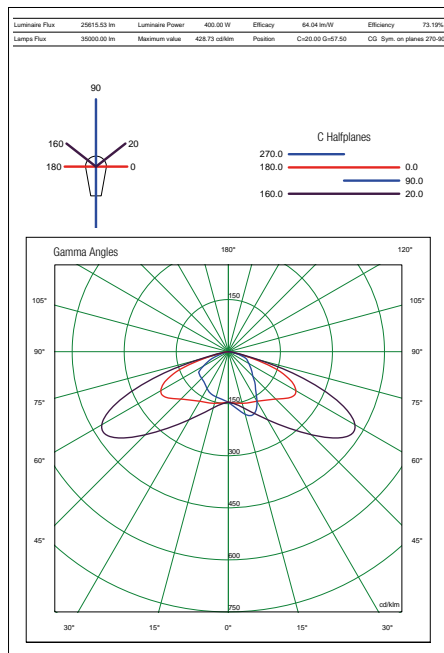
M400-400HPNA



M400-250MH



M400-400MH



On request accessories

CODE	DESCRIPTION	MATERIAL
20303.0120	ANGLE/WALL INSTALLATION BRACKET	PAINTED STEEL
20303.0121	POLE ADAPTER - DIA. 40÷60MM	ALUMINIUM
20303.0125	POLE ADAPTER - DIA. 76 MM	PAINTED STEEL

Angle/wall installation bracket

20303.0120



Pole adapter - dia. 40 mm

20303.0121



Pole adapter - dia. 76 mm

20303.0125



REMARK:

Due to the development of the national and international specifications and of the technology, the above technical characteristics showed on this bulletin can be considered as binding on our confirmation only.





Installation: Safe Area

Classification: I



LIGHTING FIXTURES

CEI / IEC

EXECUTION	INDOOR LIGHTING
RULES OF COMPLIANCE	EN 60598-1 + A1;
EC Type-Examination Certificate	-
PROTECTION DEGREE	IP20 / IP40
AMBIENT TEMPERATURE	-

Mechanical characteristics

Body	sheet steel
Optical diff	transparent methacrilate diffuser - white panted metal sheet frame
Optical par	"Darklight" - preanodised 99.85 aluminium double parabolic with 4u oxidation layer antiglare and antiridescant
Painting	epoxy-polyester powder coated in white
Gasket	anti-age cellular structure

Electrical characteristics

Power supply	electronic ballast 220/240V 50/60Hz p.f. corrected (cos $\rho \geq 0,98$)
Lampholders	bi-pin G13 cap
Internal wiring	high temperature resistant silicon rubber insulation cables
Terminals	suitable up to 4sq/mm cables



On Request Accessories:

- Electronic ballast with voltage suppli different than standard
- Emergency unit with charger and battery pack
- Available with LED lamp

Technical data

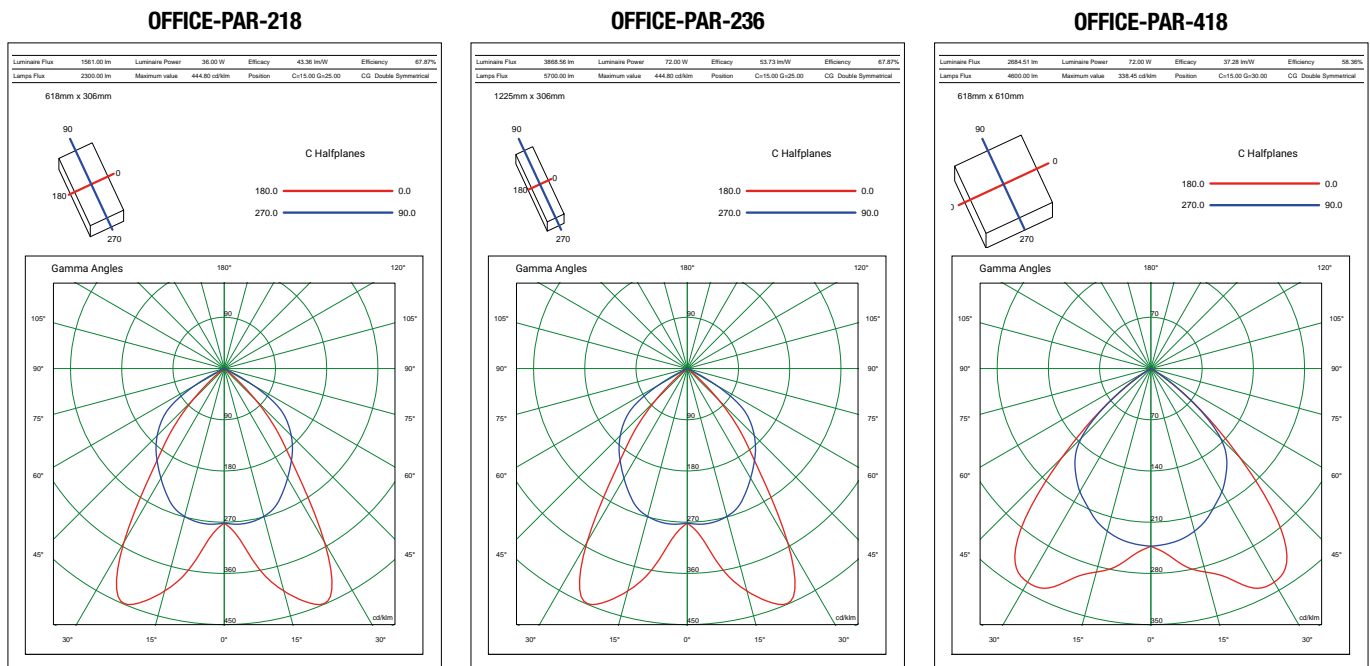
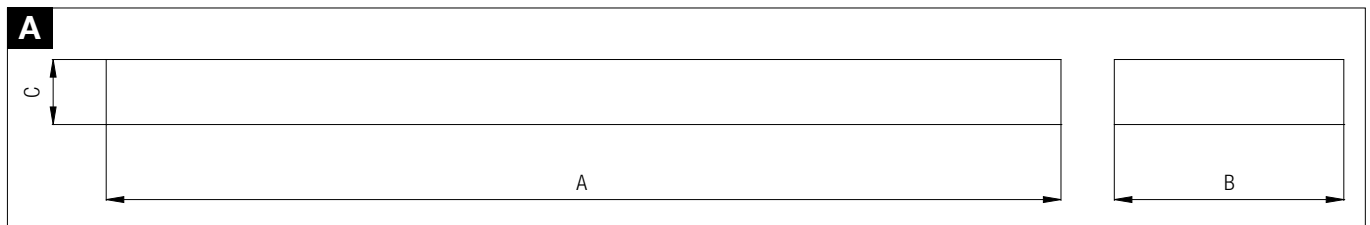
CODE	LAMP TYPE	TEMPERATURE CLASS (GAS)	TEMPERATURE CLASS (DUSTS)	LAMPHOLDER	CABLE ENTRY	DETAIL
FLUORESCENT LIGHTING FIXTURES WITH DARKLIGHT OPTICAL - POWER SUPPLY 230V-50Hz						
OFFICE-PAR-136	1 x 36W	-	-	G13	CABLE GLAND Ø20mm	A
OFFICE-PAR-158	1 x 58W	-	-	G13	CABLE GLAND Ø20mm	A
OFFICE-PAR-218	2 x 18W	-	-	G13	CABLE GLAND Ø20mm	A
OFFICE-PAR-236	2 x 36W	-	-	G13	CABLE GLAND Ø20mm	A
OFFICE-PAR-258	2 x 58W	-	-	G13	CABLE GLAND Ø20mm	A
OFFICE-PAR-418	4 x 18W	-	-	G13	CABLE GLAND Ø20mm	A
FLUORESCENT LIGHTING FIXTURES WITH METHACRYLATE DIFFUSER - POWER SUPPLY 230V-50Hz						
OFFICE-DIFF-218	2 x 18W	-	-	G13	CABLE GLAND Ø20mm	A
OFFICE-DIFF-236	2 x 36W	-	-	G13	CABLE GLAND Ø20mm	A
OFFICE-DIFF-418	4 x 18W	-	-	G13	CABLE GLAND Ø20mm	A

Technical features

CODE	A [mm]	B [mm]	C [mm]	FIXING [mm]	WEIGHT [Kg]	CABLE ENTRY	DETAIL
OFFICE-(1)-136	1225	180	90	1023 x 90	3,8	CABLE GLAND Ø20mm	A
OFFICE-(1)-158	1525	180	90	1323 x 90	4,9	CABLE GLAND Ø20mm	A
OFFICE-(1)-218	618	306	90	414 x 130	3,3	CABLE GLAND Ø20mm	A
OFFICE-(1)-236	1225	306	90	1023 x 130	6,2	CABLE GLAND Ø20mm	A
OFFICE-(1)-258	1525	306	90	1323 x 130	8,0	CABLE GLAND Ø20mm	A
OFFICE-(1)-418	618	610	90	414 x 496	5,7	CABLE GLAND Ø20mm	A

(1) OPTICAL / DIFFUSER: PAR = DARKLIGHT - DIFF= TRANSPARENT METHACRYLATE

Reference details





Installation: Safe Area

Classification: I



LIGHTING FIXTURES

CEI / EN

EXECUTION	INDUSTRIAL WEATHERPROOF
RULES OF COMPLIANCE	EN 60598-1 + A1; EN 60598-2-5
EC Type-Examination Certificate	-
PROTECTION DEGREE	IP65
AMBIENT TEMPERATURE	-

Mechanical characteristics

Housing	die-casting aluminium complete with stainless steel safety chains
Diffuser	plane tempered glass resistant to shocks and thermal shocks, coupled with stainless steel clips and secured with a security chain
Painting	thermosetting polyester powder resistant to atmospheric agents and corrosion
Reflector	anodized and polished 99,85 pure aluminum
Cable entry	cable gland M20 IP68 tear proof

Electrical characteristics

Power supply	conventional ballast 230V - 50Hz p.f. corrected (cos $\rho \geq 0,95$)
Lampholders	ceramic E27 / E40
Internal wiring	1,5sq/mm silicon cables with glass sheath



On Request Accessories:

- Galvanized steel wire protection guard
- Electronic device for aux halogen lamp
- Control gear with voltage supply different than standard

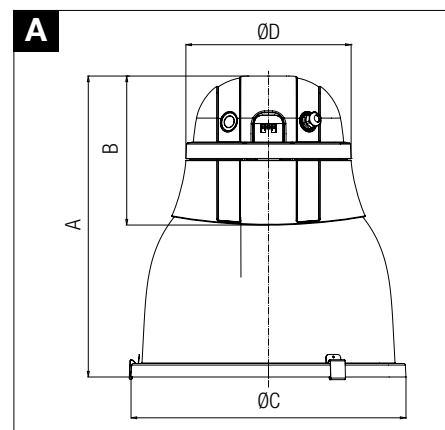
Technical data

CODE	LAMP TYPE	TEMPERATURE CLASS (GAS)	TEMPERATURE CLASS (DUSTS)	LAMPHOLDER	CABLE GLAND	DETAIL
INDUSTRIAL REFLECTORS FOR MERCURY VAPOUR LAMPS - POWER SUPPLY 230V-50Hz						
KRONOS-125MBF	125 W	-	-	E-27	M20	A
KRONOS-250MBF	250 W	-	-	E-40	M20	A
KRONOS-400MBF	400 W	-	-	E-40	M20	A
INDUSTRIAL REFLECTORS FOR METAL HALIDE LAMPS - POWER SUPPLY 230V-50Hz						
KRONOS-150JM	150 W	-	-	E-27	M20	A
KRONOS-250JM	250 W	-	-	E-40	M20	A
KRONOS-400JM	400 W	-	-	E-40	M20	A
INDUSTRIAL REFLECTORS FOR HIGH PRESSURE SODIUM LAMPS - POWER SUPPLY 230V-50Hz						
KRONOS-150SAP	150 W	-	-	E-40	M20	A
KRONOS-250SAP	250 W	-	-	E-40	M20	A
KRONOS-400SAP	400 W	-	-	E-40	M20	A

Technical features

CODE	A [mm]	B [mm]	Ø C [mm]	Ø D [mm]	WEIGHT[Kg]	CABLE GLAND	DETAIL
KRONOS-125MBF	535	265	550	295	4,62	M20	A
KRONOS-250MBF	535	265	550	295	5,03	M20	A
KRONOS-400MBF	535	265	550	295	6,35	M20	A
KRONOS-150JM	535	265	550	295	5,22	M20	A
KRONOS-250JM	535	265	550	295	5,17	M20	A
KRONOS-400JM	535	265	550	295	6,50	M20	A
KRONOS-150SAP	535	265	550	295	5,22	M20	A
KRONOS-250SAP	535	265	550	295	6,57	M20	A
KRONOS-400SAP	535	265	550	295	7,76	M20	A

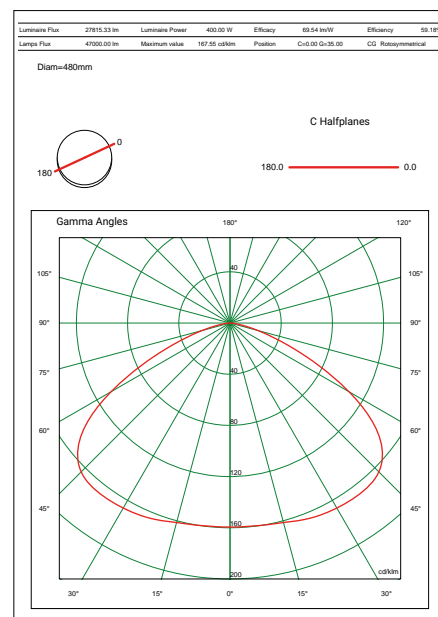
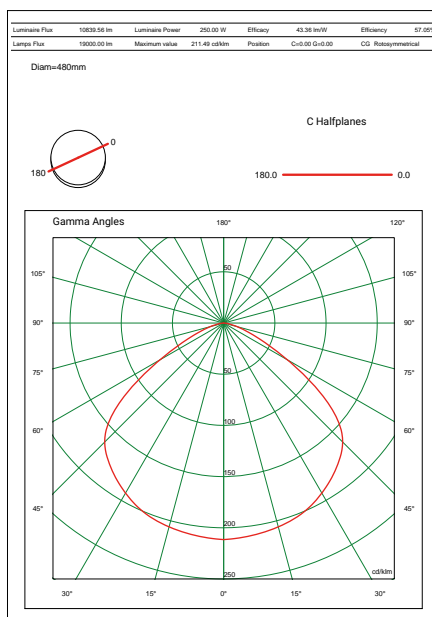
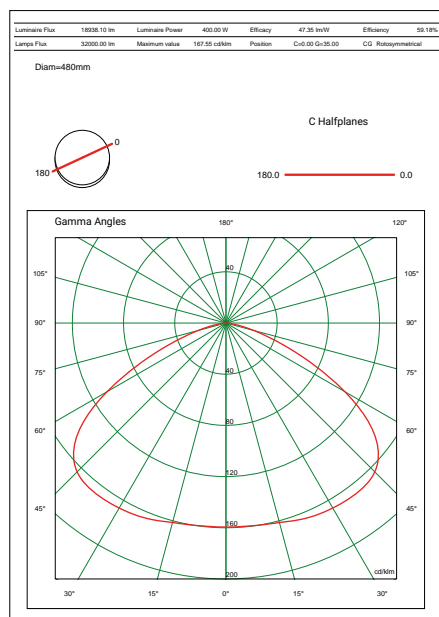
Reference details



KRONOS-400MBF

KRONOS-250SAP

KRONOS-400JM



On request accessories

CODE	DESCRIPTION	MATERIAL
930000.480	PROTECTION GRID Ø480	GALVANIZED STEEL
CLA	ELECTRONIC SWITCHING DEVICE FOR AUXILIARY LAMP	-

REMARK:

Due to the development of the national and international specifications and of the technology, the above technical characteristics showed on this bulletin can be considered as binding on our confirmation only.




Installation: Safe Area

Classification: I

LIGHTING FIXTURES
CEI / EN

EXECUTION	INDUSTRIAL WEATHERPROOF
RULES OF COMPLIANCE	EN 60598-1 + A1; EN 60598-2-1
EC Type-Examination Certificate	-
PROTECTION DEGREE	IP66
AMBIENT TEMPERATURE	-40°C ÷ +70°C

Mechanical characteristics

Body & frame	stainless steel AISI-304 one piece deep drawn
Diffuser	transparent tempered flat glass 5mm thick. with silicon rubber gasket
Screws	stainless steel
Gaskets	EPDM rubber suitable for high temperatures and resistant to enviroments conditions
Reflector	internal in die-fold steel, epoxy powders white coloured coated equiped with security strings
Cable entry	PG 13,5 complete with poliamyde cable gland
Closing hooks	stainless steel with screw-held spring lock latches and anti-vandal device

Electrical characteristics

Power supply	electronic ballast 230V - 50/60Hz p.f. corrected (cos $\rho \geq 0,98$)
Lampholders	bi-pin G13 cap
Internal wiring	high-temperature resistant silicon rubber insulation cables
Terminals	suitable up to 4sq/mm cables


On Request Accessories:

- Pole mounting kit complete with stainless steel hardware
- Pendant mounting kit complete with stainless steel hardware
- Wall/structure mounting kit complete with stainless steel hardware
- Emergency unit complete with inverter charger and Ni-Cd 4,8V 4A/h battery pack
- Electronic ballast with voltage supply different than standard

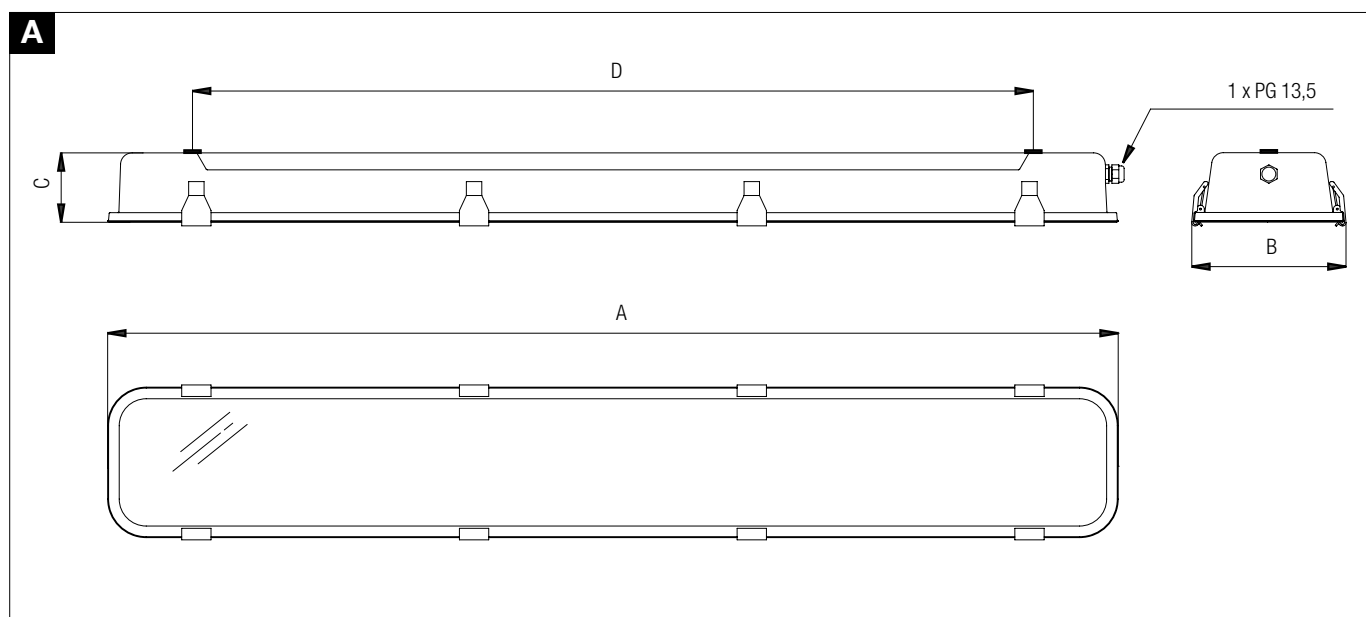
Technical data

CODE	LAMP TYPE	TEMPERATURE CLASS (GAS)	TEMPERATURE CLASS (DUSTS)	LAMPHOLDER	CABLE ENTRY	EMERG.UNIT (ON REQUEST)	AUTONOMY (EMERG.UNIT)	DETAIL
FLUORESCENT LIGHTING FIXTURES FOR SINGLE, TWIN, AND THREE LAMPS - POWER SUPPLY 230V-50/60Hz								
GENIUS-118	1 x 18W	-	-	G13	1 x PG 13.5	4,8V - 4A/h	3h	A
GENIUS-136	1 x 36W	-	-	G13	1 x PG 13.5	4,8V - 4A/h	3h	A
GENIUS-158	1 x 58W	-	-	G13	1 x PG 13.5	4,8V - 4A/h	3h	A
GENIUS-218	1 x 18W	-	-	G13	1 x PG 13.5	4,8V - 4A/h	3h	A
GENIUS-236	2 x 36W	-	-	G13	1 x PG 13.5	4,8V - 4A/h	3h	A
GENIUS-258	2 x 58W	-	-	G13	1 x PG 13.5	4,8V - 4A/h	3h	A
GENIUS-318	3 x 18W	-	-	G13	1 x PG 13.5	4,8V - 4A/h	3h	A
GENIUS-336	3 x 36W	-	-	G13	1 x PG 13.5	4,8V - 4A/h	3h	A

Technical features

CODE	A [mm]	B [mm]	C [mm]	D [mm]	WEIGHT [Kg]	CABLE ENTRY	DETAIL
GENIUS-118	700	220	90	480	12,50	1 x PG 13,5	A
GENIUS-136	1310	220	90	1090	15,50	1 x PG 13,5	A
GENIUS-158	1610	220	90	1390	18,50	1 x PG 13,5	A
GENIUS-218	700	220	90	480	13,00	1 x PG 13,5	A
GENIUS-236	1310	220	90	1090	16,00	1 x PG 13,5	A
GENIUS-258	1610	220	90	1390	19,00	1 x PG 13,5	A
GENIUS-318	700	220	90	1090	13,50	1 x PG 13,5	A
GENIUS-336	1310	220	90	1390	16,50	1 x PG 13,5	A

Reference details



REMARK:

Due to the development of the national and international specifications and of the technology, the above technical characteristics showed on this bulletin can be considered as binding on our confirmation only.

Installation: hazardous areas - Zone 1/2 (Gases) - Zone 21/22 (Dusts) - Safe Area

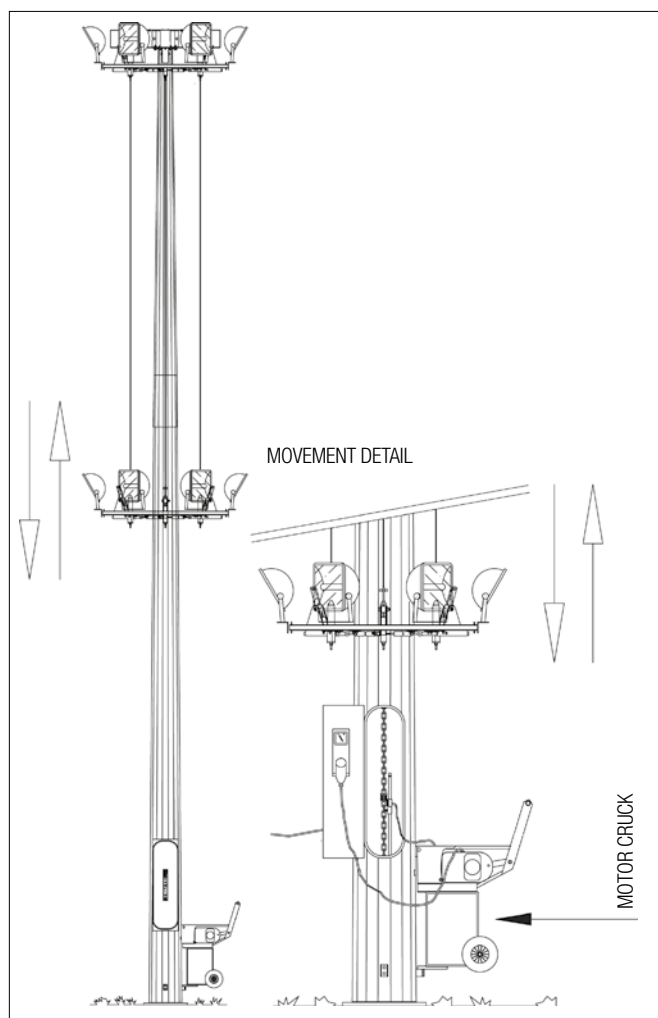


LIGHTING MASTS WITH MOBILE CROWN FOR EXPLOSION PROOF FLOODLIGHTS EEX D IIB T3 IP65

The utility of the high masts with mobile crown in lighting large areas, is universally recognised. It, in fact, represents the best answer either from the lighting environmental, maintenance point of view.

Lighting high masts undertakes an irreplaceable part in designing modern lighting plant of large areas, having the approval of engineers who consider more and more difficult to find personnel for carrying out maintenance, disposed to climb to a certain height. Furthermore, the possibility of lighting large areas (interchanges, parking areas etc....) with few lighting sources of considerable height, without particular maintenance costs, makes FEAM high masts with mobile crown particularly profitable in the economy of the whole plant. Our actual range, designed in standard elements suitable to guarantee maximum safety levels, with explosion proof floodlights for zone 1 and zone 2.

LIGHTING STUDY ON REQUEST



Installation: hazardous areas - Zone 1/2 (Gases) - Zone 21/22 (Dusts) - Safe Area

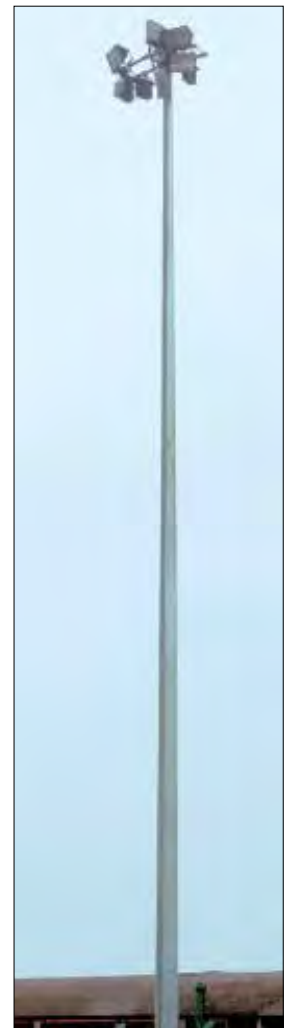


LIGHTING COLUMNS FOR EXPLOSION PROOF CONNECTION BOX, LIGHTING FIXTURES AND FLOODLIGHTS

Designed and manufactured according to national and European standard, FEAM lighting columns, are manufactured in 3 different types:

- Conical columns with circular section
- Stepped columns from welded tubes
- Columns with octagonal and polygonal section

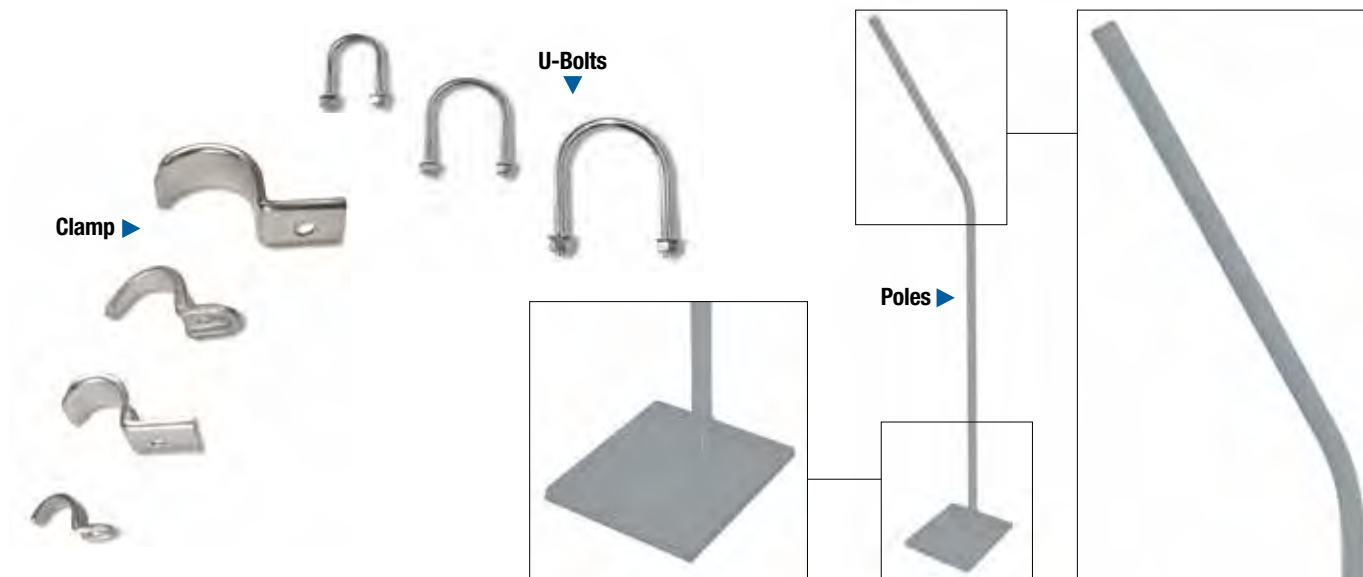
Normally provided with standard works for the electric wiring according to the standard, they may be personalised with particular works upon request. Furthermore a complete range of accessories such as brackets, cross arms, make them suitable to the most different needs. All columns are protected against corrosion by means of hot galvanisation.



REMARK:

Due to the development of the national and international specifications and of the technology, the above technical characteristics showed on this bulletin can be considered as binding on our confirmation only.

Installation: hazardous areas - Zone 1 / 2 (Gases) Zone 21 / 22 (Dusts) - Safe Area

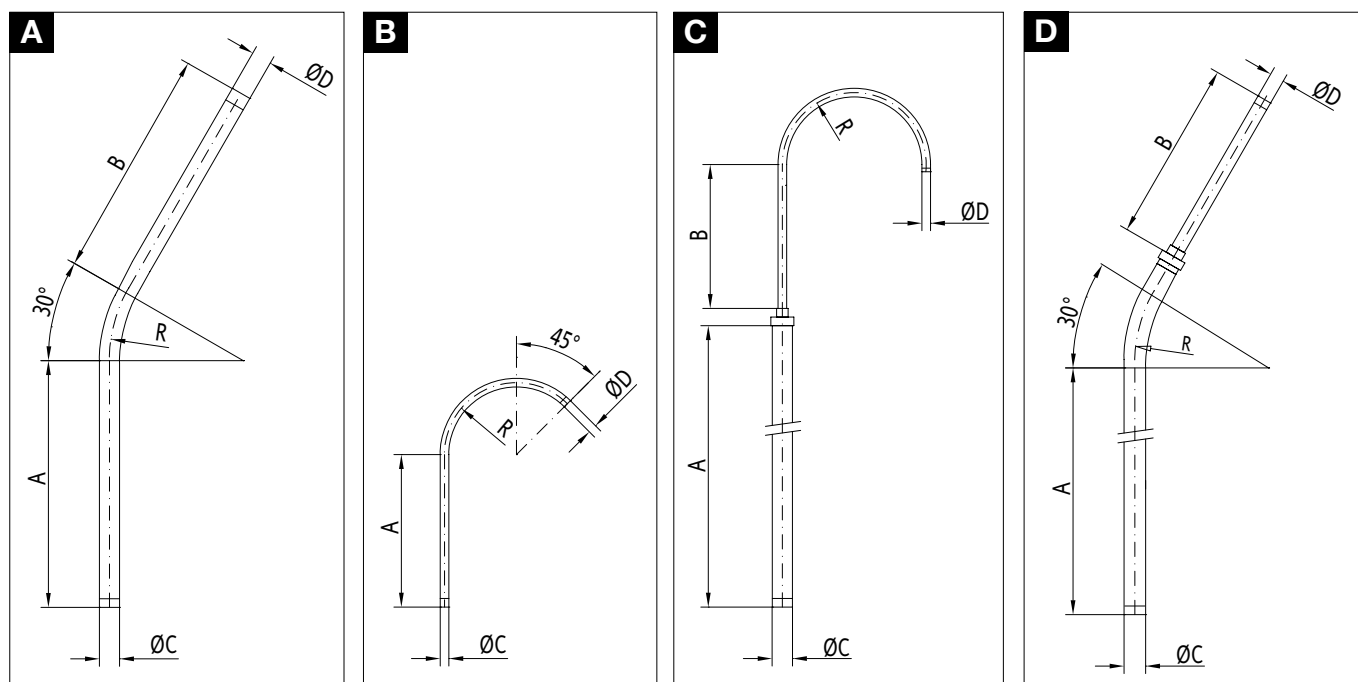


POLES Technical features

CODE	A [mm]	B [mm]	Ø C [mm]	Ø D [mm]	R	MATERIAL	DETAIL
PAL041	1900	1650	1-1/2"	-	500	GALVANIZED STEEL	A
PAL042	500	1650	1-1/2"	-	500	GALVANIZED STEEL	A
PAL855	2700	1650	2-1/2"	1-1/2"	500	GALVANIZED STEEL	D
PAS043	700	-	1"	-	250	GALVANIZED STEEL	B
PAS856	3000	500	2-1/2"	1"	250	GALVANIZED STEEL	C
PAS857	2000	700	1-1/2"	1"	250	GALVANIZED STEEL	C

Other poles are supplied according to customer's request
 Materials: stainless steel on request

Reference details

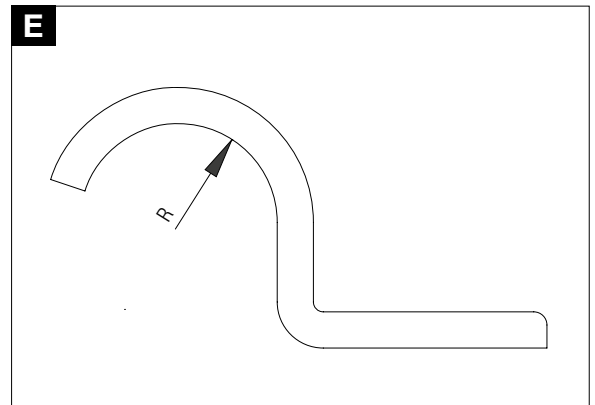


CLAMP Technical features

CODE	Ø CONDUIT	R	MATERIAL	DETAIL
GF1	1/2"	10	GALVANIZED STEEL	E
GF2	3/4"	12	GALVANIZED STEEL	E
GF3	1"	15	GALVANIZED STEEL	E
GF4	1-1/4"	20	GALVANIZED STEEL	E
GF5	1-1/2"	22,5	GALVANIZED STEEL	E
GF6	2"	27,5	GALVANIZED STEEL	E
GF7	2-1/2"	35	ALUMINUM	E
GF8	3"	45	ALUMINUM	E
GF10	4"	60	ALUMINUM	E

Materials: stainless steel on request

Reference details



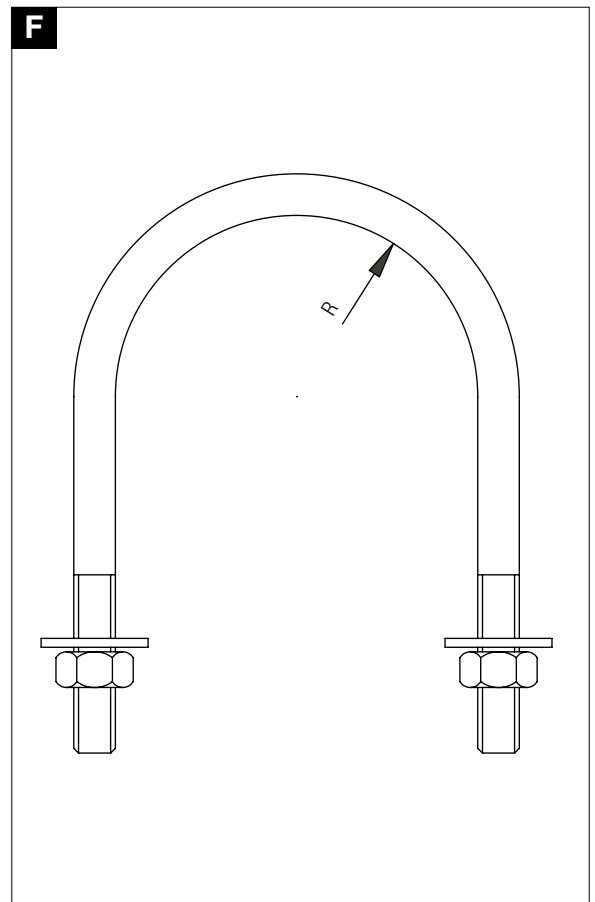
U-BOLTS Technical features

CODE	Ø CONDUIT	R	MATERIAL	DETAIL
GH1	1/2"	10	GALVANIZED STEEL	F
GH2	3/4"	12	GALVANIZED STEEL	F
GH3	1"	15	GALVANIZED STEEL	F
GH4	1-1/4"	20	GALVANIZED STEEL	F
GH5	1-1/2"	22,5	GALVANIZED STEEL	F
GH6	2"	27,5	GALVANIZED STEEL	F
GH7	2-1/2"	35	GALVANIZED STEEL	F
GH8	3"	45	GALVANIZED STEEL	F
GH10	4"	60	GALVANIZED STEEL	F

CODE	Ø CONDUIT	R	MATERIAL	DETAIL
GH1IN	1/2"	10	STAINLESS STEEL	F
GH2IN	3/4"	12	STAINLESS STEEL	F
GH3IN	1"	15	STAINLESS STEEL	F
GH4IN	1-1/4"	20	STAINLESS STEEL	F
GH5IN	1-1/2"	22,5	STAINLESS STEEL	F
GH6IN	2"	27,5	STAINLESS STEEL	F
GH7IN	2-1/2"	35	STAINLESS STEEL	F
GH8IN	3"	45	STAINLESS STEEL	F
GH10IN	4"	60	STAINLESS STEEL	F

With nuts and washer

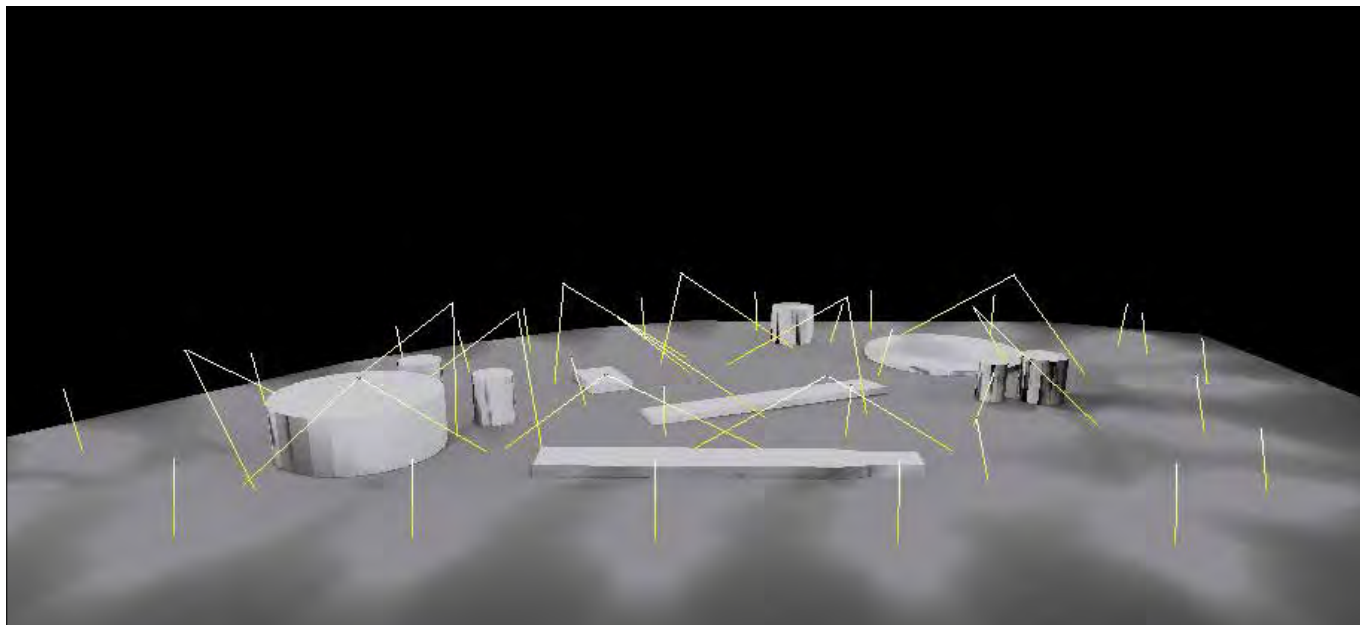
Reference details



REMARK:

Due to the development of the national and international specifications and of the technology, the above technical characteristics showed on this bulletin can be considered as binding on our confirmation only.

Installation: hazardous areas - Zone 1 / 2 (Gases) - Zone 21 / 22 (Dusts) - Safe Area



Lighting layout software for internal and external areas available by our office lighting calculation service for lighting installation to right and best position of luminaires in your project.

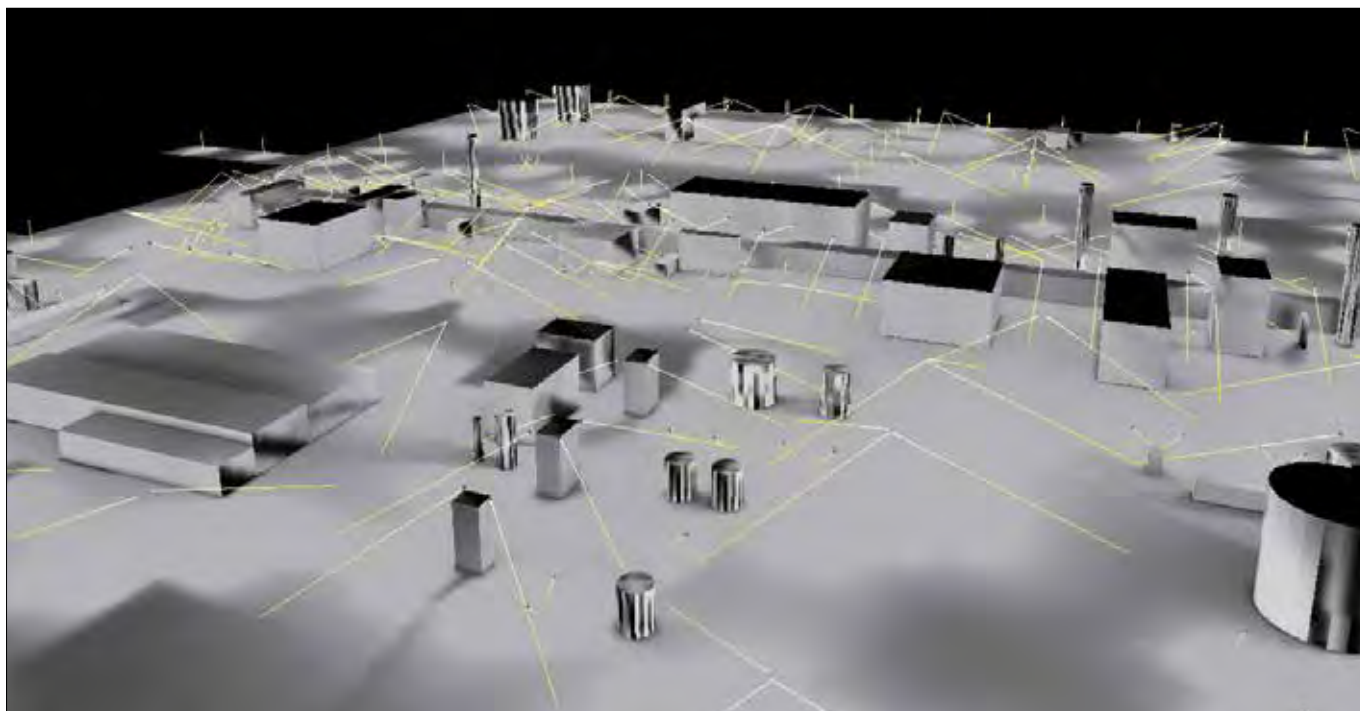
Our technical staff offers its services in planning lighting installation, with photometric graphs and lighting data outputs in full according to Customer requirements.

A well-organized software system is available to calculate the luminance level and the lighting distribution.

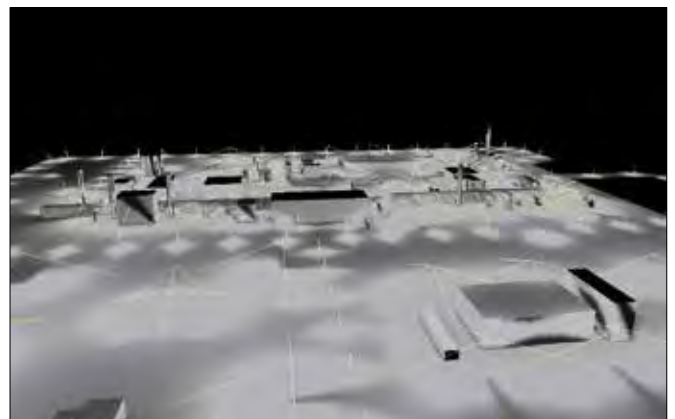
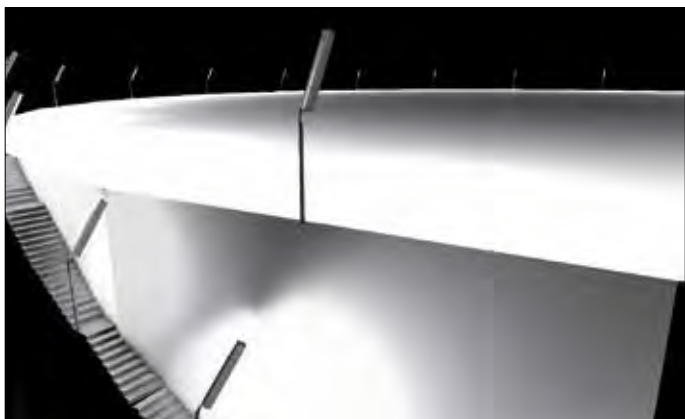
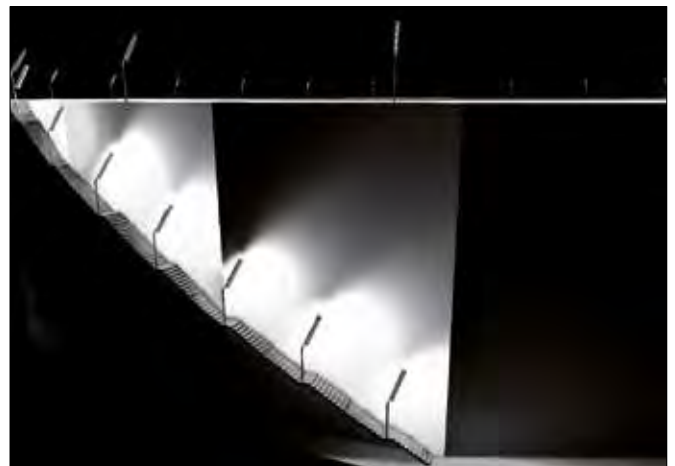
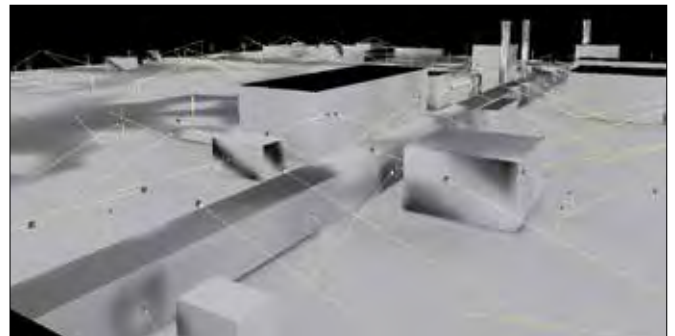
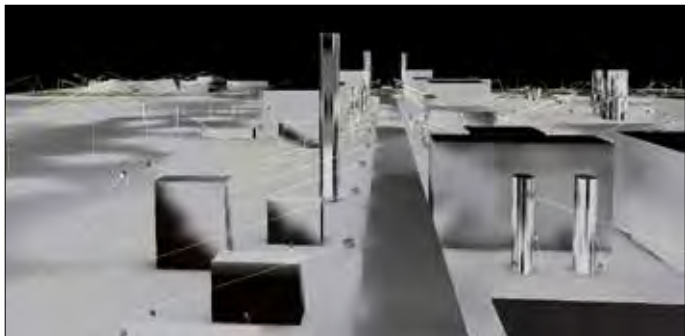
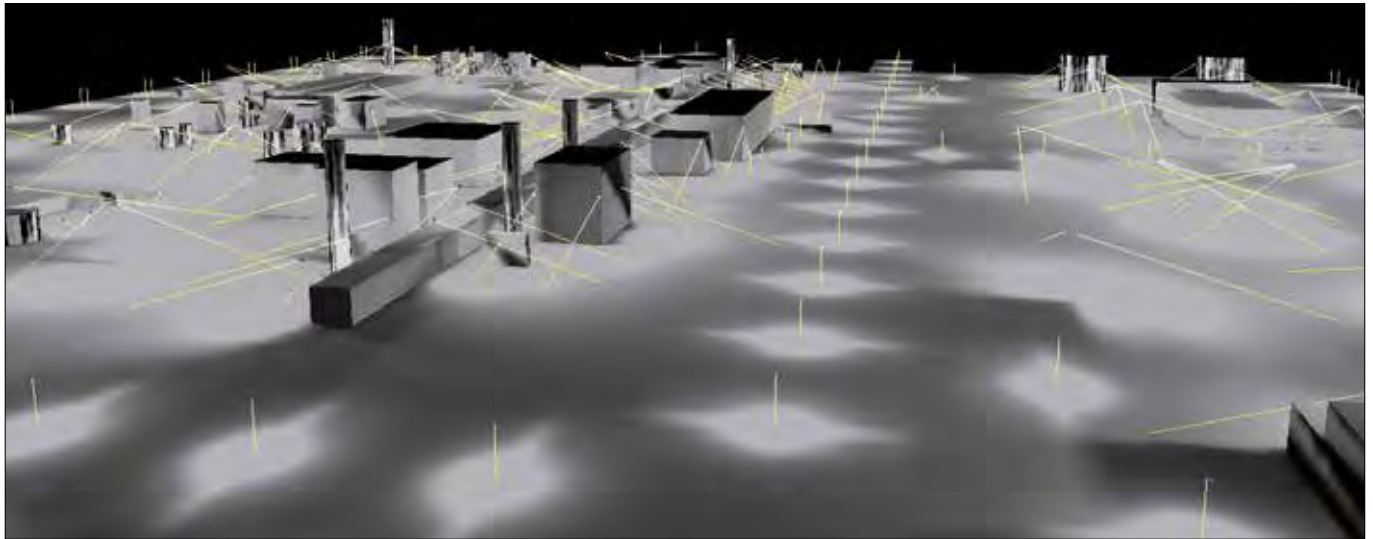
This system will help you to plan the right and best position of BARTEC FEAM luminaires in your project. It is enough you to inform us about the required illumination level: BARTEC FEAM will present you the lighting project quickly.

Using a proper software , our technical staff is able to insert BARTEC FEAM lighting fixtures into a project and produce a virtual image of the area, which shows the real illuminating effect.

Lighting calculation of example



Lighting calculation example



REMARK:

Due to the development of the national and international specifications and of the technology, the above technical characteristics showed on this bulletin can be considered as binding on our confirmation only.



