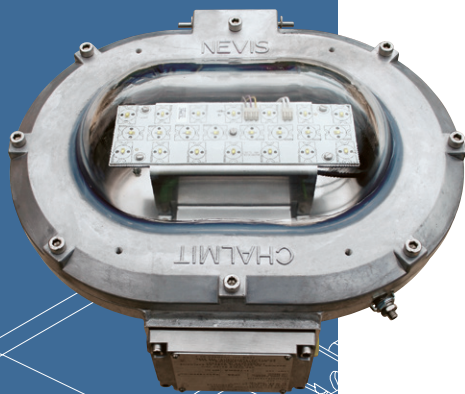


ZONE
1ZONE
21

NEVIS



The **Nevis LED** delivers an instant bright white light equivalent to a 70W HPS. Designed for low profile applications, the luminaire can be mounted on walls, handrails and ceilings as a wellglass making it ideal for walkways or restricted height areas.

A side mounted increased safety terminal chamber eliminates the need for barrier glands and allows for flush mounting with easy cable access. Its excellent temperature range of -50°C to +55°C makes it a global lighting solution providing high quality lighting at extreme temperatures.

Mounting Options

- Ceiling
- Wall
- High Bay
- Pole/Stanchion
- Bulkhead
- Wellglass

International Approvals



Standard Specification

Nevis Ex d e LED Bulkhead

Type of Protection	Ex d e (Flameproof, Increased Safety)
ATEX Classification	Group II Category 2 GD
Area Classification	Zone 1 and Zone 21 areas to EN 60079-10-1 and EN 60079-10-2 with installation to EN 60079-14 Gas Groups IIA and IIB
Certificate	EC Type Examination Certificate Baseefa08ATEX0178 IECEx Certificate of Conformity IECEx BAS08.0054
Coding	Ex d e IIB T6 Ex tD A21 T80°C IP6X
Enclosure	Aluminium alloy LM6 to BS 1490 (AC44100) All fastenings A4 stainless steel Toughened glass dome cover
Entry	2x M20 cable entries
Termination	3 core 6mm ² max. conductor with looping
Installation	Flush mounting bracket
Control Gear	Electronic Driver
Colour Temperature (CCT)	5650K (Cool White)
Maintenance	Access via hinged front glass cover assembly
Ingress Protection	IP66 to EN 60529
Surge Protection	4kV
Electrical Supply	100-277V AC 50/60 Hz 110-390V DC

Features

- ◆ Lower power consumption than HID lamps
- ◆ Installation to gas groups **IIA and IIB**
- ◆ Low temperature applications **to -55°C**
- ◆ **100,000 maintenance free hours** at 25°C (L70)
- ◆ Highly **Energy Efficient**
- ◆ **Compact** construction
- ◆ **IP68** version available

LED SOLUTIONS

For Harsh & Hazardous Locations


www.chalmit.com


Harsh & Hazardous

Product design and specifications are subject to change without notice. Please check the Chalmit website for latest specifications. www.chalmit.com

Std. Cat No.	Delivered Output	Power Consumption	TClass	T°C (Dust)	Ambient °C	Weight
NEVD/052/LE	4058 lm	48W	T6	80	-55 to +55	12.5kg

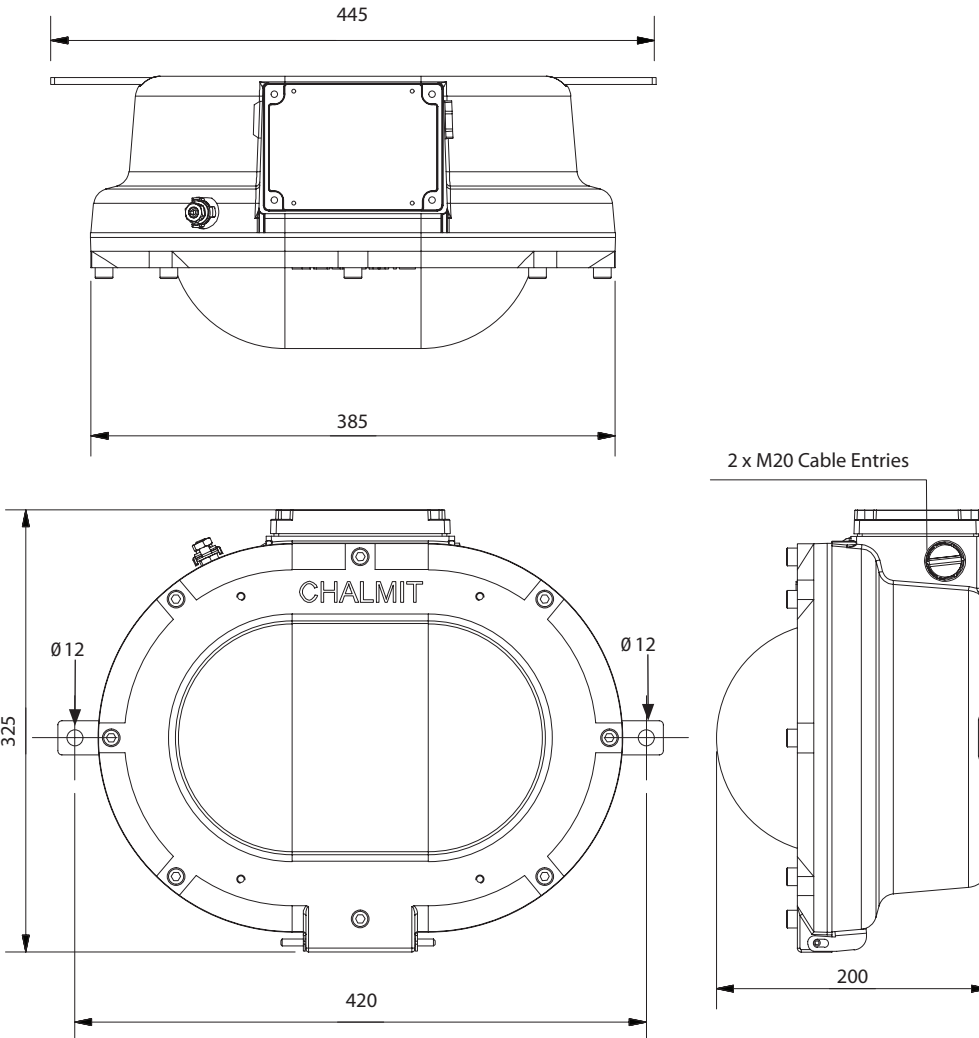
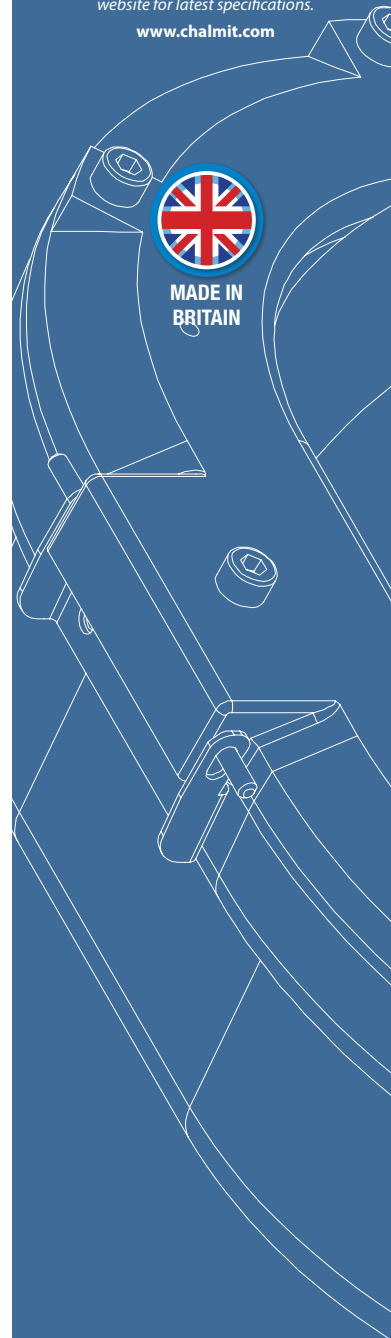
Options - Suffix to Catalogue No.

/M25	M25 Cable entries	/P	PTFE coating
/SP	IP68 version (1m for 24 hours*) (single entry without looping)	/3-4NPT	3/4" NPT entries
/EP	Painted		

*Other depths available

Accessories Accessories should be ordered separately

	Order Code
Pole mounting bracket assembly (38-50mm diameter poles)	SNEV1-0001
Wire Guard	SNEV1-0002
Hand rail mounting bracket assembly	SNEV4-0003



LED SOLUTIONS
 For Harsh & Hazardous Locations



Harsh & Hazardous