



*High-quality stainless steel enclosures, distribution boxes, cabinets*

**Features**

- Customer-specific designs also for non-explosion-hazard zones
- Approved in accordance with directive 94/9/EC
- Long service life
- Sea water resistant
- High IP rating
- Ex approval for distribution boxes available
- Flanges on 5 housing walls possible

**Description**

BARTEC stainless steel housings and distribution boxes are designed and approved for Zone 1 and 2 as well as Zone 21 and 22. They are particularly suitable for applications under extreme environmental conditions, and they provide reliable protection under heavy loads.

The housings are made from 1.4301 (V2 A) or 1.4404 stainless steel (V4 A). The series includes empty housings and distribution boxes with door or cover. From a housing height of 120 mm, the housings can be supplied with or without flange plates.

In addition to 25 standard sizes, approved customer-specific design variants are also available.

**Scope of delivery**

The scope of delivery includes wall attachment straps, internal and external PE connection, as well as a mounting plate for the empty housings/distribution cabinets.

**Explosion protection**

**Ex protection type**

acc. to EN 60079-0 for empty enclosures/cabinets

- ⊕ II 2G Ex e IIC Gb
- ⊕ II 2D Ex tb IIIC Gb

acc. to EN 60079-0 for distribution boxes

- ⊕ II 2G Ex e IIC T6, T5 Gb
- ⊕ II 2G Ex e ia/ib IIC T6, T5 Gb
- ⊕ II 2D Ex tb IIIC T80 °C, T95 °C Db

**Certification**

<b>Empty enclosure</b>	IBExU99ATEX1118 U IECEXIBE09.0016 U
INMETRO (Brazil)	2009EC02CP015 U
<b>Terminal box</b>	IBExU99ATEX1096 IECEXIBE09.0017
INMETRO (Brazil)	2009EC02CP016
GOST-R (Russia)	POCC SI.ME 92.B01671
RTN (Russia)	PPC 00-33604
India	CCEs P250922

**Ambient temperature**

EPDM gasket  
 - 20 °C to + 40 °C at T6  
 - 20 °C to + 55 °C at T5

Silicone gasket (only ST/ST)  
 - 55 °C to + 40 °C at T6  
 - 55 °C to + 55 °C at T5

**Technical data**

**Material**

1.4404, AISI 316 L high quality stainless steel  
**optional**  
 1.4301, AISI 304 high quality stainless steel

**Surface**

brushed, painted or electro polished on request

**Standard seals**

EPDM

**Mechanical strength**

Impact energy 7 Nm

**Version**

with or without gland plated

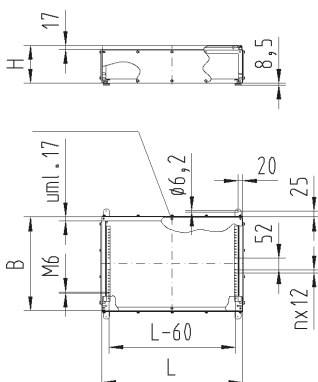
**Standard sizes**

see selection chart

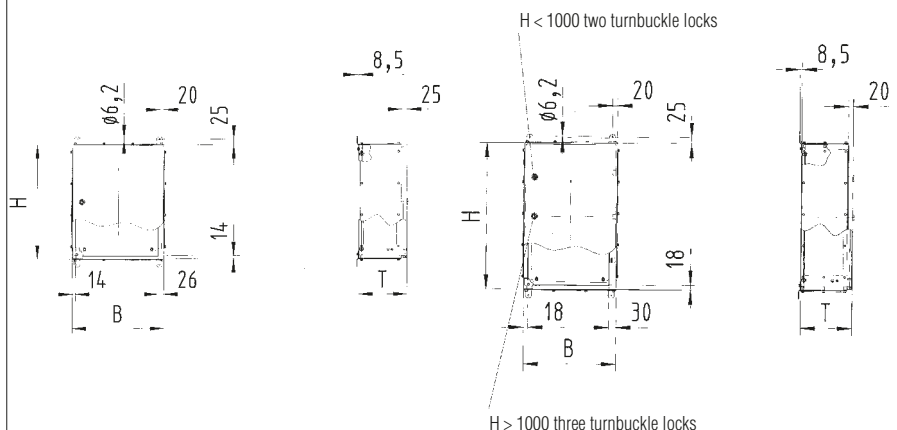
**Protection class** acc. to IEC 60529

max. IP 66

**Enclosure dimensions**



**Cabinet dimensions**





**Selection chart**

						Gland plates openings minimum depth for flanges 120 mm			
Version	Code no.	Enclosure with lid in mm (w x h x d)	Code no.	Enclosure with hinged door in mm (w x h x d)	Code no.	Flanges Side A, B, (E)	Code no.	Flanges Side C, D, (E)	Code no.
Empty Enclosure Ex e	1	100 x 100 x 60	17	200 x 300 x 155	51	without	1	without	1
		150 x 150 x 80	01						
Distribution Box Ex e II	2	400 x 150 x 80	10	380 x 300 x 155	54	Face A	2	Face C	2
		200 x 200 x 80	03	300 x 380 x 210	52				
		300 x 200 x 80	22						
Distribution Box Ex e [ia/ib] II C	3	150 x 150 x 100	02	400 x 400 x 210	57	Face B	3	Face D	3
		200 x 200 x 120	04						
Distribution Box Ex i II	4	300 x 200 x 120	06	400 x 600 x 210	58	Face A + B	4	Face C + D	4
		400 x 200 x 120	11	600 x 600 x 210	59				
Distribution Box Ex i II	5	600 x 200 x 120	25			600 x 760 x 210	60	Face E + A	5
		300 x 300 x 120	07						
Distribution Box Ex i II	6	300 x 300 x 160	08	600 x 800 x 300	61	Face E + B	6	Face E + D	6
		380 x 380 x 160	26						
		400 x 200 x 160	12	800 x 800 x 300	62				
Distribution Box Non-Ex	7	400 x 400 x 160	14	800 x 1000 x 300	63	Face E + A + B	7	Face E + D + C	7
		500 x 400 x 160	15						

or

**Complete order no.**

Please enter code number.  
Technical data subject to change without notice

Example: Ex e distribution box with hinged door  
Dimensions: 400 x 400 x 210 mm with gland plates on face B + C + D  
**Type 07-56D2-5734**

07-56   -

Design	Code no.	
	304	316 L
Enclosure with screwed lid	A	B
Enclosure with hinged door	C	D



**High-quality stainless steel junction boxes**

The table on this page applies to the following high-quality stainless steel junction boxes

Rail-mounted terminal components/  
maximum number

*Ex e-Enclosure, empty* 07-56.1-....  
*Ex e-Junction Box* 07-56.2-....

07-56.1-....  
07-56.2-....

*Ex e/Ex i-Junction Box* 07-56.3-....  
*Ex i-Junction Box* 07-56.4-....

07-56.3-....  
07-56.4-....

*IP Junction Box* 07-56.7-....

Article no. High-quality stainless steel junction boxes	External dimensions in mm (L x W x H)	AKZ4 03-7112-0008		WDU 2,5 03-7111-0012		WDU 4 03-7112-0015	
		Mounting rail	Terminals per rail	Mounting rail	Terminals per rail	Mounting rail	Terminals per rail
without flanges	Lid						
07-56 □□-1711	100 x 100 x 60	1	7	-	-	-	-
07-56 □□-0111	150 x 150 x 80	2	13	1	16	1	13
07-56 □□-1011	400 x 150 x 80	2	54	1	65	1	54
07-56 □□-0311	200 x 200 x 80	2	21	1	25	1	21
07-56 □□-2211	300 x 200 x 80	2	37	1	45	1	38
07-56 □□-0211	150 x 150 x 100	2	13	1	16	1	13
07-56 □□-0411	200 x 200 x 120	-	-	1	25	1	21
07-56 □□-0611	300 x 200 x 120	-	-	1	45	1	38
07-56 □□-1111	400 x 200 x 120	-	-	1	65	1	54
07-56 □□-2511	600 x 200 x 120	-	-	1	104	1	87
07-56 □□-0711	300 x 300 x 120	-	-	2	45	2	38
07-56 □□-0811	300 x 300 x 160	-	-	2	45	2	38
07-56 □□-2611	380 x 380 x 160	-	-	3	61	3	51
07-56 □□-1211	400 x 200 x 160	-	-	1	65	1	54
07-56 □□-1411	400 x 400 x 160	-	-	4	65	4	54
07-56 □□-1511	500 x 400 x 160	-	-	4	84	4	70
Hinged door							
07-56 □□-5111	200 x 300 x 155	-	-	2	21	2	18
07-56 □□-5411	380 x 300 x 155	-	-	2	60	2	50
07-56 □□-5211	300 x 380 x 210	-	-	3	45	3	37
07-56 □□-5711	400 x 400 x 210	-	-	3	64	3	54
07-56 □□-5811	400 x 600 x 210	-	-	5	64	5	54
07-56 □□-5911	600 x 600 x 210	-	-	5	103	5	86
07-56 □□-6011	600 x 760 x 210	-	-	6	103	6	86
07-56 □□-6111	600 x 800 x 300	-	-	7	103	7	86
07-56 □□-6211	800 x 800 x 300	-	-	7	142	7	118
07-56 □□-6311	800 x 1000 x 300	-	-	9	142	9	118



The table on this page applies to the following high-quality stainless steel junction boxes

Ex e-Enclosure, empty 07-56.1-.... Ex e/Ex i-Junction Box 07-56.3-.... IP Junction Box 07-56.7-....  
 Ex e-Junction Box 07-56.2-.... Ex i-Junction Box 07-56.4-....

Rail-mounted terminal components/maximum number			High-quality stainless steel junction boxes							
Article no. High-quality stainless steel junction boxes without flanges	External dimensions in mm (L x W x H) Lid	Side	M12 x 1,5	M16 x 1,5	M20 x 1,5	M25 x 1,5	M32 x 1,5	M40 x 1,5	M50 x 1,5	M63 x 1,5
07-56 □□ -1711	100 x 100 x 60	A/B C/D	3 3	2 2	1 1	1 -	- -	- -	- -	- -
07-56 □□ -0111	150 x 150 x 80	A/B C/D	14 16	5 7	4 5	2 2	1 2	- -	- -	- -
07-56 □□ -1011	400 x 150 x 80	A/B C/D	45 14	24 7	18 6	7 2	6 2	- -	- -	- -
07-56 □□ -0311	200 x 200 x 80	A/B C/D	20 23	10 11	6 8	3 3	2 2	- -	- -	- -
07-56 □□ -2211	300 x 200 x 80	A/B C/D	31 22	17 11	12 7	6 4	4 2	- -	- -	- -
07-56 □□ -0211	150 x 150 x 100	A/B C/D	18 21	11 12	7 7	3 3	2 2	1 1	1 1	1 1
07-56 □□ -0411	200 x 200 x 120	A/B C/D	37 30	20 20	15 13	7 7	4 4	2 2	2 2	2 2
07-56 □□ -0611	300 x 200 x 120	A/B C/D	59 35	32 19	21 13	11 7	7 5	4 2	3 2	3 2
07-56 □□ -1111	400 x 200 x 120	A/B C/D	64 35	34 20	28 13	15 7	9 4	6 2	5 2	4 2
07-56 □□ -2511	600 x 200 x 120	A/B C/D	82 30	78 20	47 13	23 7	15 5	9 2	7 2	6 2
07-56 □□ -0711	300 x 300 x 120	A/B C/D	60 50	35 29	22 21	11 11	7 7	4 4	3 3	3 3
07-56 □□ -0811	300 x 300 x 160	A/B C/D	75 68	46 47	30 31	16 17	10 9	7 7	5 5	4 4
07-56 □□ -2611	380 x 380 x 160	A/B C/D	96 93	60 59	40 39	21 23	11 12	9 9	6 6	5 5
07-56 □□ -1211	400 x 200 x 160	A/B C/D	97 40	61 30	40 17	23 11	13 6	9 4	7 3	5 2
07-56 □□ -1411	400 x 400 x 160	A/B C/D	105 104	61 63	41 43	21 21	13 12	9 9	7 7	5 5
07-56 □□ -1511	500 x 400 x 160	A/B C/D	126 104	79 63	64 43	28 21	16 12	12 9	9 7	7 5
Hinged door										
07-56 □□ -5111	200 x 300 x 155	A/B C/D	48 74	28 46	18 32	10 17	6 9	4 7	3 4	2 3
07-56 □□ -5411	380 x 300 x 155	A/B C/D	91 74	51 46	39 32	21 17	12 9	9 7	6 4	5 3
07-56 □□ -5211	300 x 380 x 210	A/B C/D	104 107	60 69	40 50	23 23	17 15	8 9	6 8	6 7
07-56 □□ -5711	400 x 400 x 210	A/B C/D	136 115	84 72	55 51	31 23	21 18	10 10	10 9	8 7
07-56 □□ -5811	400 x 600 x 210	A/B C/D	144 183	84 116	55 65	31 35	21 29	10 15	10 14	8 12
07-56 □□ -5911	600 x 600 x 210	A/B C/D	208 194	120 120	85 70	42 35	30 29	16 15	14 14	13 11
07-56 □□ -6011	600 x 760 x 210	A/B C/D	170 228	120 148	80 100	51 47	30 37	16 19	14 17	12 16
07-56 □□ -6111	600 x 800 x 300	A/B C/D	324 411	189 252	119 147	72 78	40 51	28 32	21 27	19 26
07-56 □□ -6211	800 x 800 x 300	A/B C/D	452 403	234 231	147 159	94 83	52 51	30 32	29 29	27 26
07-56 □□ -6311	800 x 1000 x 300	A/B C/D	452 554	234 300	147 194	94 102	52 67	30 42	29 35	27 32